



GRAZER GROUND MOWERS

Models

**GI800SS, GI800KSS,
GI890, GI890K, GI890V, G2000CII
(HYDRAULIC DRIVE MOWERS)**

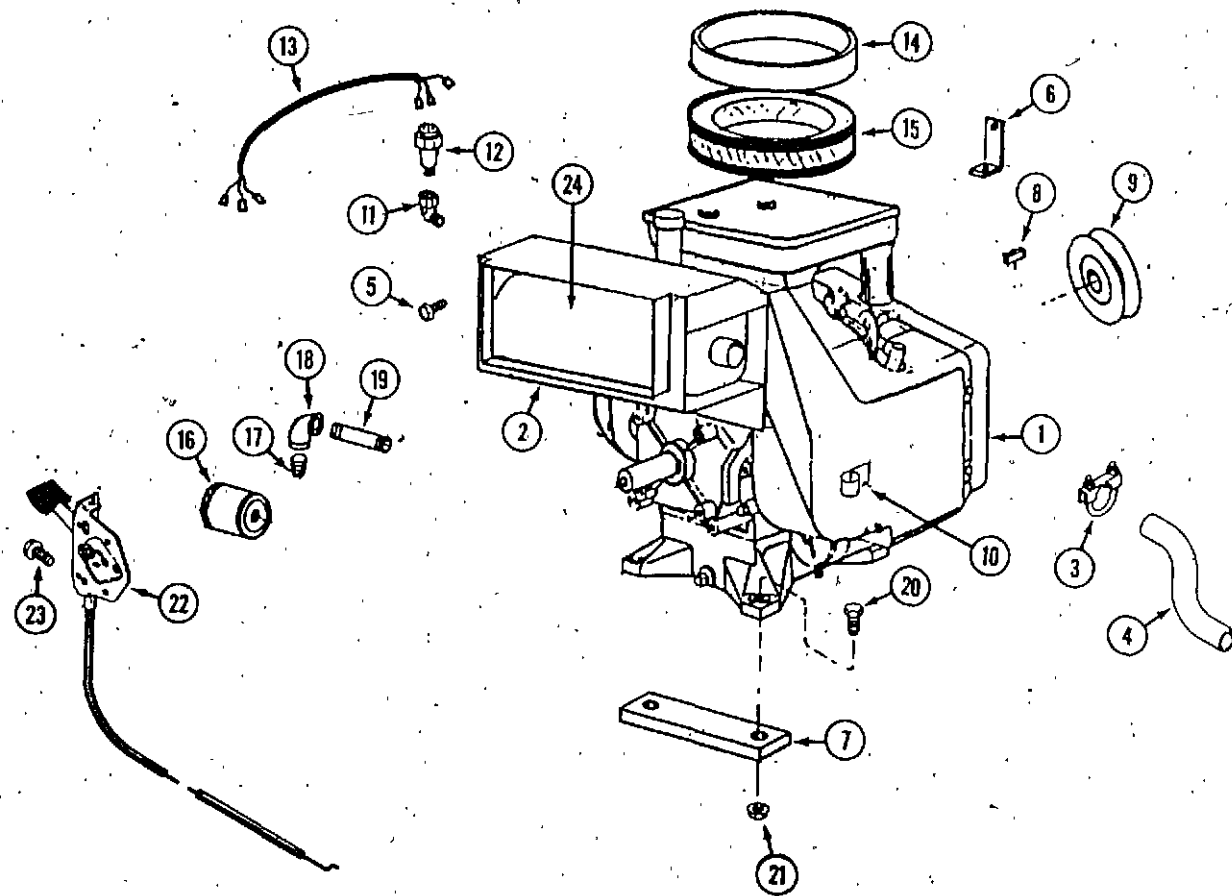
Parts List



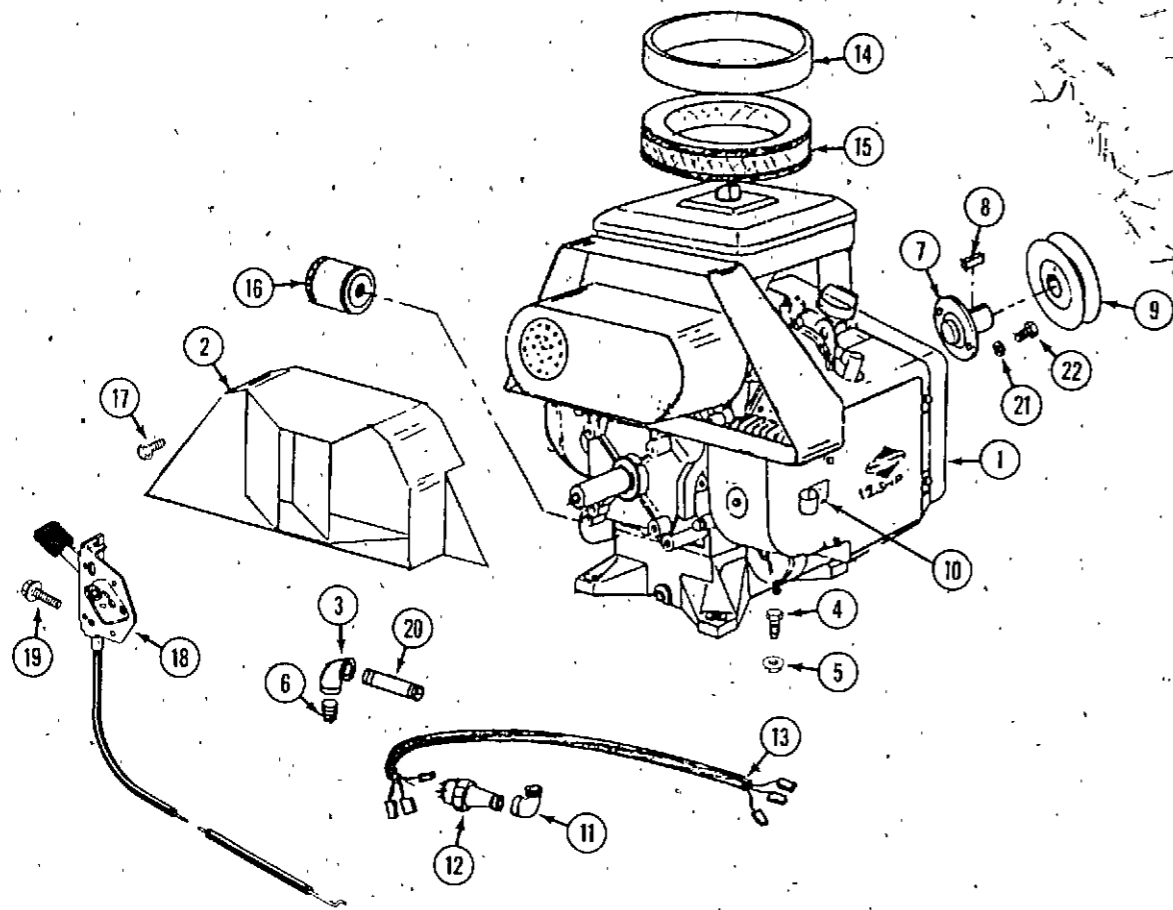
TABLE OF CONTENTS

KOHLER ENGINE PARTS	A4
ENGINE AND ATTACHING PARTS (BRIGGS AND STRATTON I/C MODEL)	A6
ENGINE AND ATTACHING PARTS (BRIGGS AND STRATTON VANGUARD MODEL)	A6
ELECTRIC CLUTCH	A8
FUEL SYSTEM	A8
BASE ASSEMBLY (GI890, GI890K, GI890V)	A10
BASE ASSEMBLY (GI800SS, GI800KSS)	A12
BASE ASSEMBLY (G2000CII)	A12
BODY ASSEMBLY (GI800SS, GI800KSS, GI890, GI890K, GI890V)	A14
BODY ASSEMBLY (G2000CII)	B2
SEAT LID AND STEERING	B4
SINGLE TAIL WHEEL	B6
DUAL TAIL WHEEL	B6
PUMP DRIVE (GI800SS, GI800KSS)	B8
PUMP DRIVE (G2000CII)	B8
PUMP DRIVE CROSS SHAFT (GI890, GI890K, GI890V)	B10
DRIVE ASSEMBLY R.H. (GI890, GI890K, GI890V)	B12
DRIVE ASSEMBLY L.H. (GI890, GI890K, GI890V)	B14
STEERING CABLE KIT (GI890, GI890K, GI890V)	C2
BRAKE ASSEMBLY (GI800SS, GI800KSS)	C2
WHEEL MOTOR AND PUMP (GI800SS, GI800KSS)	C4
WHEEL MOTOR AND PUMP (G2000CII)	C6
HYDRAULIC SYSTEM (GI890, GI890K, GI890V)	C8
HYDRAULIC LIFT	C10
ELECTRIC DECK LIFT (WINCH) INCLUDES WIRING DIAGRAM	C12
WIRING DIAGRAM	C14
DECALS	D2

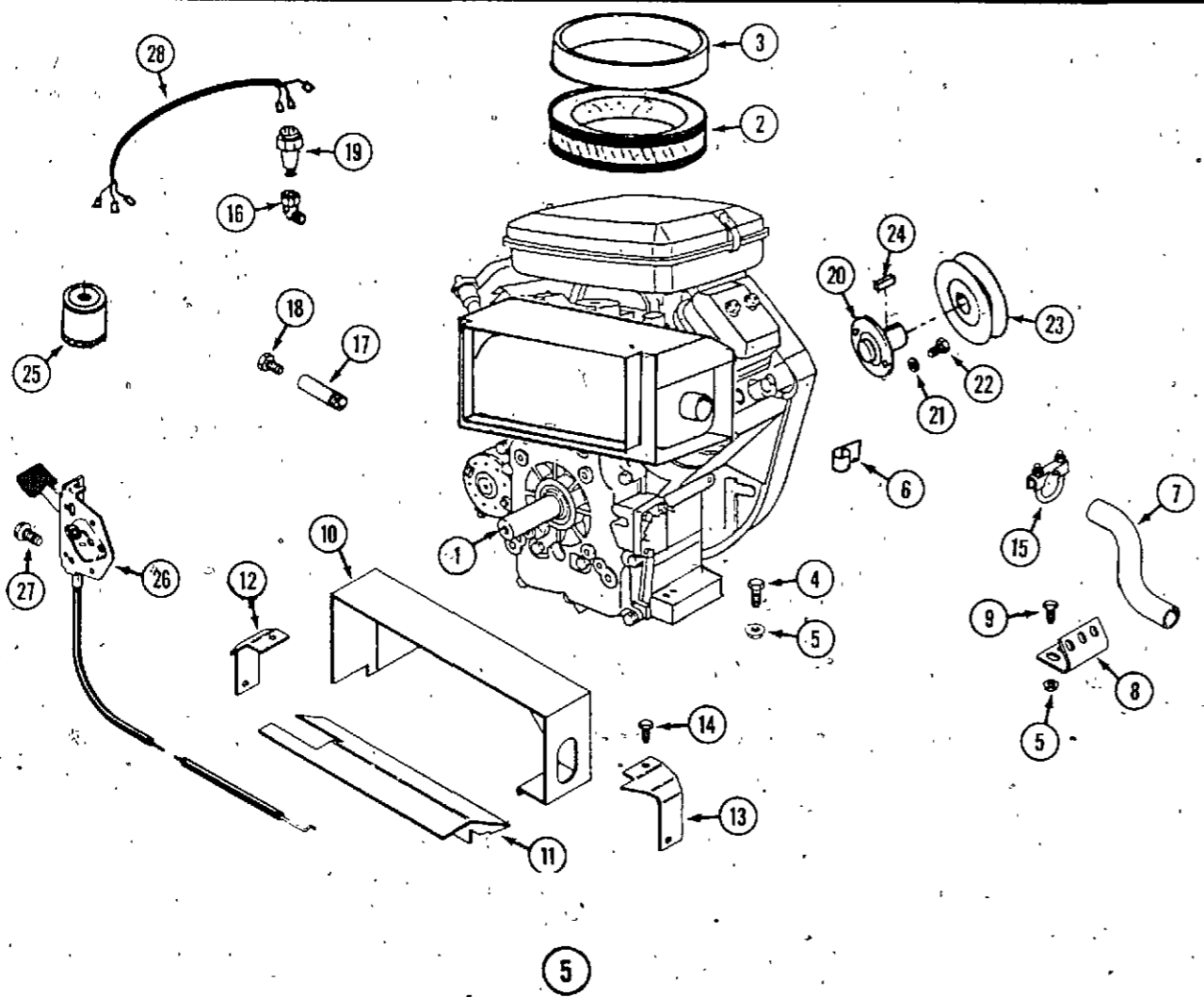
**ENGINE AND ATTACHING PARTS
KOHLER**



REF.	PART NO.	DESCRIPTION	REQ'D
1	C 41676	ENGINE - Kohler Model M18QS, Spec. No: 24532 (18 hp) (1890K, 1800KSS)	1
1	C 41677	ENGINE - Kohler Model M20QS, Spec. No. 49517 (20 hp) (2000)	1
2	C 37561	DUCT - air (side exhaust) (2000)	1
2	C 42050	DUCT - air (rear exhaust)	1
3	C 42055	CLAMP - pipe (rear exhaust)	1
4	C 42054	PIPE - rear exhaust (rear exhaust)	1
5	121- 21	BOLT - 1/4" - 20 flange lock	7
6	C 37536	BRACKET - wire standoff	UAR
7	C 37563	SPACER	2
8	C 41015	KEY - 1/4" x 1/4" x 1"	1
9	C 37564	PULLEY - drive (includes 83-46 set screw) (1800, 1890) shown	1
9	C 37565	PULLEY - drive, double (2000) (includes 83-46 set screw)	1
10	C 37540	RETAINER - starter wire	1
11	C 37541	ELBOW - street 1/8"	1
12	C 37531	UNIT - oil sending	1
13	C 42240	HARNESS - wire	1
14	C 37566	PRECLEANER	1
15	C 37567	FILTER - air	1
16	C 37568	FILTER - oil	1
17	C 37546	PLUG - pipe 3/8"	1
18	221- 376	ELBOW - pipe 3/8"	1
19	C 37548	NIPPLE - pipe 3/8" x 4"	1
20	113- 122	BOLT - 5/16" 18 x 1-1/2"	4
21	131- 911	NUT - 5/16" -18	4
22	C 37819	CABLE - choke	1
22	C 37820	CABLE - throttle	1
23	C 39403	SCREW - #12 x 1/2"	4
24	C 40893	MUFFLER - exhaust (rear exhaust)	1
24	NSS	MUFFLER - exhaust (side exhaust) obtain from local Kohler dealer	6



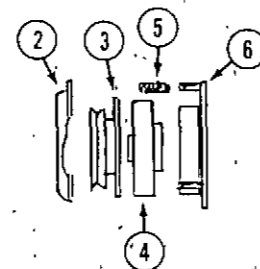
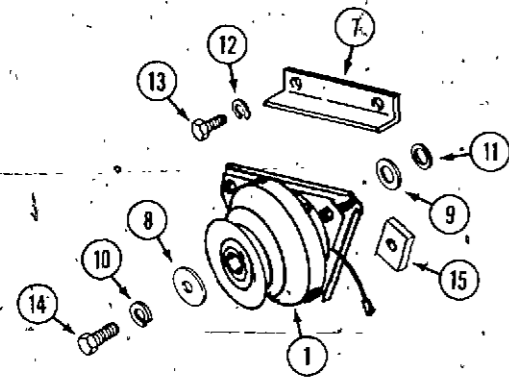
REF.	PART NO.	DESCRIPTION	REQ'D
1	C 41674	ENGINE - Briggs and Stratton, model 422447, Spec. No. 1277 (18 hp) (1800SS, 1890)	1
2	C 37533	DUCT - air	1
3	221- 376	ELBOW - 3/8"	UAR
4	113- 104	BOLT - 5/16" - 18 x 1-1/4"	4
5	131- 911	NUT - 5/16" - 18	4
6	C 37546	PLUG - pipe 3/8"	UAR
6	218-5154	PLUG - pipe 1/2" - 20	UAR
7	C 37537	SHAFT - stub	1
8	C 41015	KEY - 1/4" x 1/4" x 1"	1
9	C 37539	PULLEY - drive (use 83-55 set screw)	1
10	C 37540	RETAINER - starter cable	2
11	221- 411	ELBOW - street 1/8"	1
12	C 37531	UNIT - oil sending	1
13	C 42240	HARNES - wire	1
14	C 37543	PRECLEANER	1
15	C 37544	FILTER - air	1
16	C 37545	FILTER - oil	1
17	121- 21	BOLT - 1/4" - 20 flange lock	7
18	C 37819	CABLE - choke	1
18	C 37820	CABLE - throttle	1
19	C 39403	SCREW - #12 x 1/2"	4
20	C 33949	NIPPLE - pipe 3/8" x 3-1/2"	UAR
20	C 37548	NIPPLE - 3/8" x 4"	1
21	192- 21	LOCKWASHER	2
22	113- 207	BOLT - 3/8" - 16 x 1"	2



REF.	PART NO.	DESCRIPTION	REQ'D
1	C 43409	ENGINE - Briggs & Stratton Model 350447, type 0124 (18 hp) (1890V)	1
2	C 37544	ELEMENT - air cleaner	1
3	C 37543	PRE-CLEANER	1
4	113- 104	BOLT - 5/16" - 18 x 1-1/4"	4
5	131- 911	NUT - 5/16" - 18 flange lock	5
6	C 32455	CLIP - "J"	2
7	C 44244	PIPE - exhaust	1
8	C 44243	BRACKET - exhaust pipe	1
9	113- 103	BOLT - 5/16" - 18 x 1"	1
10	C 45105	DUCT - muffler, upper	1
11	C 45109	DUCT - bottom	1
12	NSS	SUPPORT - duct front (use C45111)	1
13	NSS	SUPPORT - duct rear (use C45111)	1
14	C 37200	SCREW - M6 x 10	3
15	C 28294	CLAMP - exhaust	2
16	217- 1085	FITTING - street elbow, 1/4" NPT 45°	1
17	C 33949	NIPPLE - pipe 3.5"	1
18	218-5154	PLUG - 1/2" - 20	1
19	C 37531	UNIT - oil sending	1
20	C 37537	SHAFT - stub	1
21	192- 21	LOCKWASHER - 3/8"	2
22	113- 207	BOLT - 3/8" - 16 x 1"	2
23	C 37539	PULLEY - engine (use 83-55 set screw)	1
24	C 41015	KEY - 1/4" x 1/4" x 1"	1
25	C 34374	FILTER - oil	1
26	C 37819	CABLE - choke	1
26	C 37820	CABLE - throttle	1
27	C 39403	SCREW - #12 x 1/2"	4
28	C 42240	HARNES - wire	1

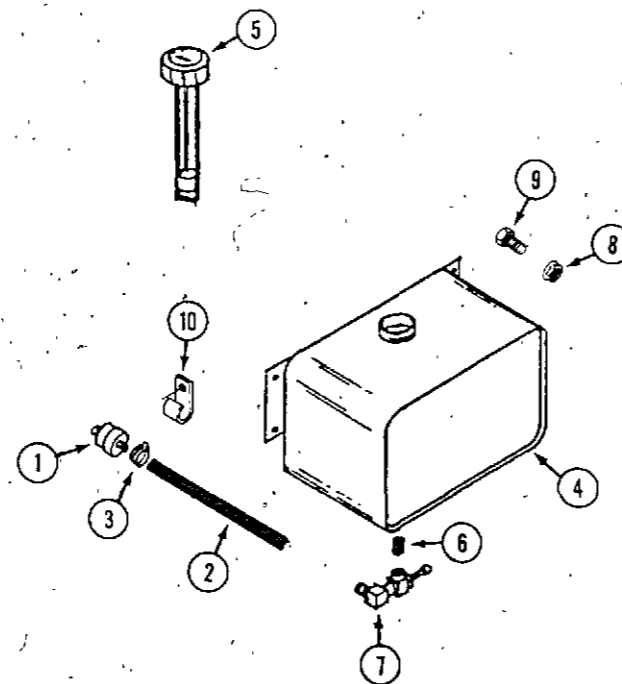
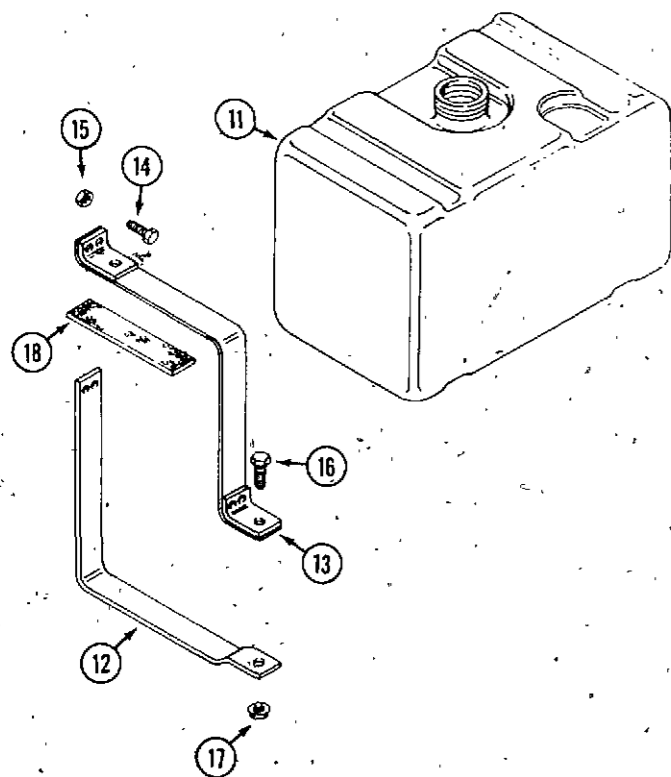
ELECTRIC CLUTCH (PTO)

REF.	PART NO.	DESCRIPTION	REQ'D
1	C 37511	CLUTCH ASSEMBLY (1800SS, 1800KSS, 1890, 1890K, 1890V)	1
1	C 37569	CLUTCH ASSEMBLY (2000)	1
2	C 37549	BRAKE - clutch	1
3	C 37550	ARMATURE - clutch (1800SS, 1800KSS, 1890, 1890V)	1
3	C 37570	ARMATURE - clutch (2000)	1
4	C 37551	ROTOR - clutch	1
5	C 37552	KIT - spring and nut (3 each)	1
6	C 37553	COIL - clutch	1
7	C 37562	BRACKET - clutch stop (current production)	1
8	C 31615	WASHER - retaining	1
9	C 37981	WASHER - 1" (early production)	1
10	192- 21	LOCKWASHER - 3/8"	1
11	C 31614	WASHER - 1-1/8"	1
12	192- 22	LOCKWASHER - 7/16"	2
13	113- 335	BOLT - 7/16" - 14 x 3/4"	2
14	114- 203	BOLT - 3/8" - 24 x 1-1/2"	1
15	C 37562	BRACKET - clutch stop (early production)	2

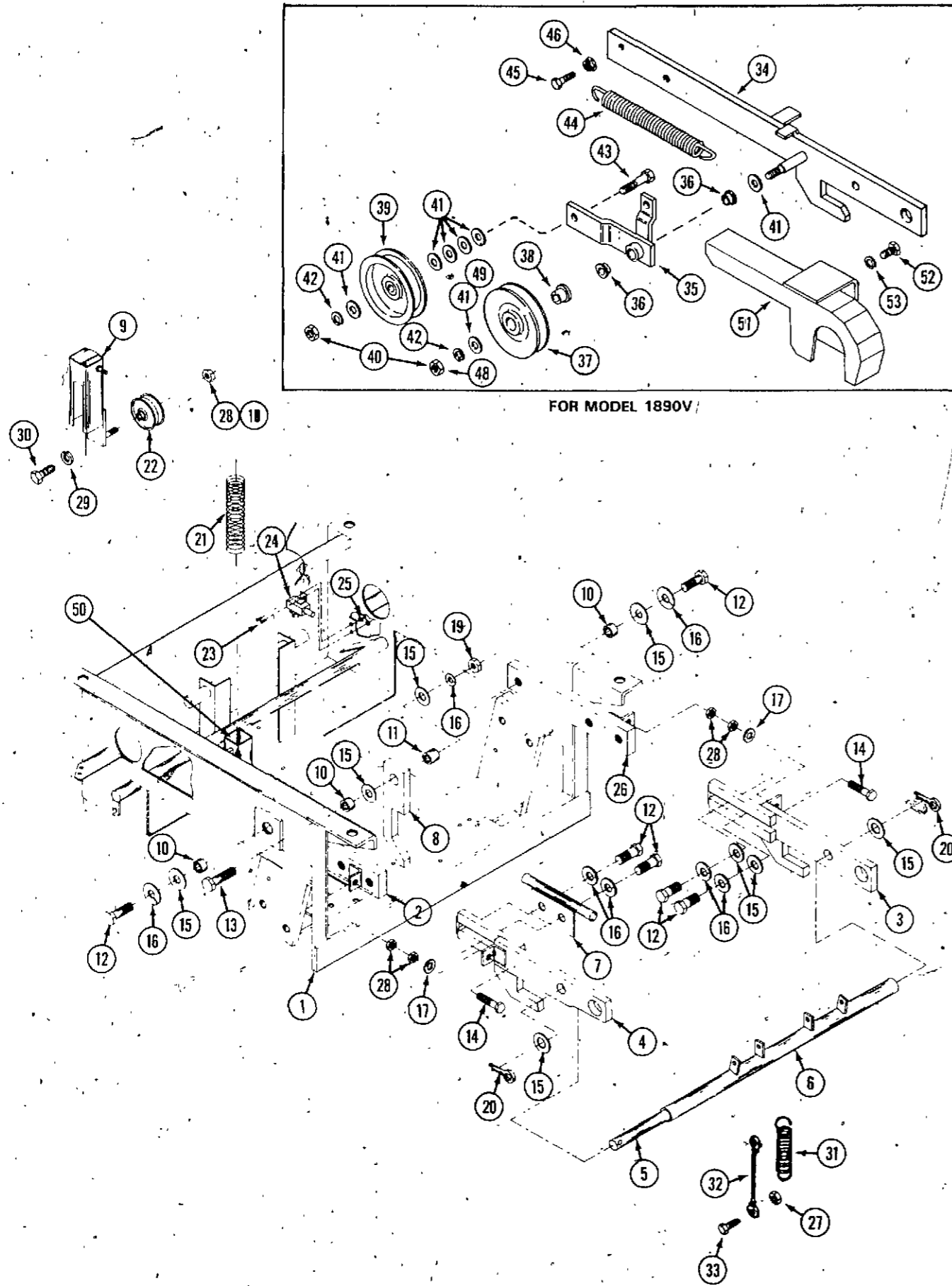


FUEL SYSTEM

1	C 37554	FILTER - fuel	1
2	C 44027	HOSE - fuel (cut to length)	1
3	214- 103	CLAMP - hose	4
4	NSS	TANK - fuel (1-3/4" filler tube) (use C45119, C44822) metal	1
4	C 45119	TANK - fuel (2-1/4" filler tube) metal	1
5	C 44290	CAP - fuel tank (with gauge) (1-3/4" threads)	1
5	C 44822	CAP - fuel tank (with gauge) (2-1/4" threads) use on metal tank	1
5	C 45334	CAP - fuel tank (with gauge) (2-1/4" threads) (use on plastic tank)	1
6	C 37812	NIPPLE - pipe 1/8"	1
7	C 37811	VALVE - shut off	1
8	131- 934	NUT - 1/4" - 20 flange lock	4
9	113- 1	BOLT - 1/4" - 20 x 1/2"	1
9	113- 3	BOLT - 1/4" - 20 x 3/4"	3
10	C 32455	CLIP - "J" fuel line	1
11	C 45333	TANK - fuel (2-1/4" filler tube) (plastic)	1
11	NSS	TANK - fuel (1-3/4" filler tube) (plastic) (use C45333, C45334)	1
12	C 45061	BRACKET - fuel tank	1
13	C 45062	STRAP - fuel tank	1
14	113- 5	BOLT - 1/4" - 20 x 1-1/2"	2
15	131- 71	NUT - 1/4" - 20 lock	2
16	113- 103	BOLT - 5/16" - 18 x 1"	2
17	131- 911	NUT - 5/16" - 18 flange lock	2
18	C 34189	CUSHION	2

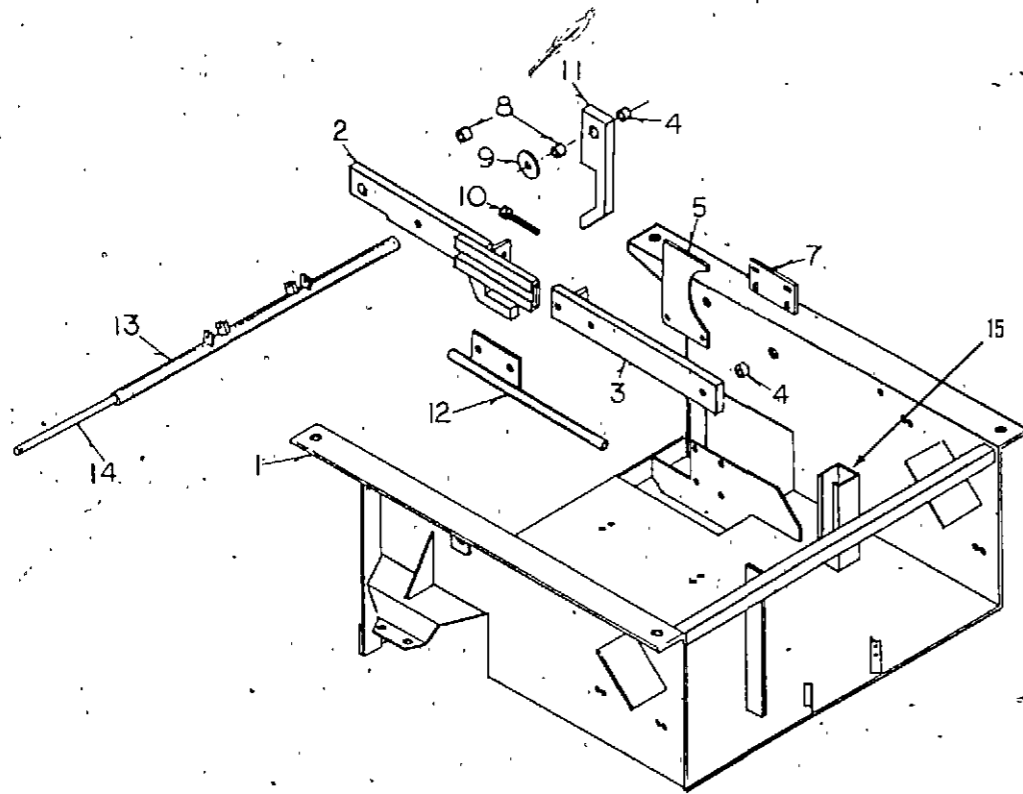


BASE ASSEMBLY
(1890, 1890K, 1890V)



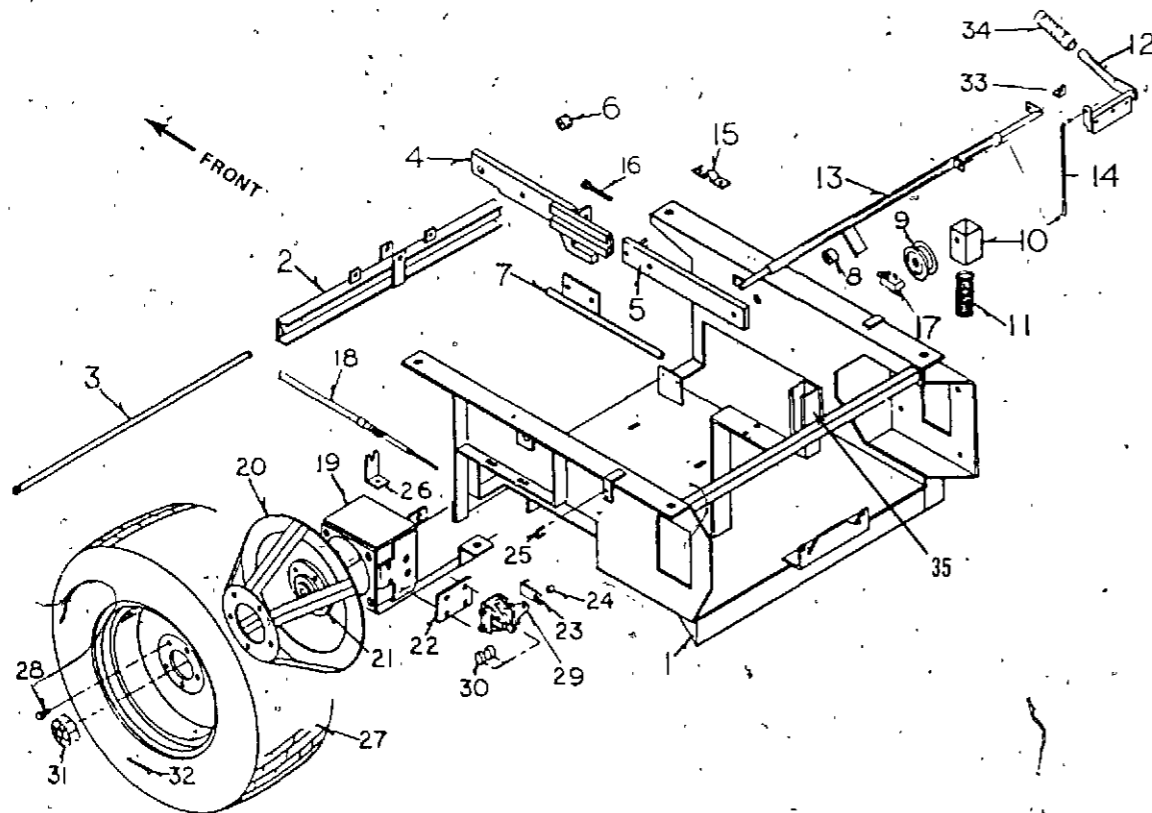
REF.	PART NO.	DESCRIPTION	REQ'D
1	C 42892	BASE	1
2	C 37575	ARM - deck lift R.H. (1890, 1890K)	1
3	C 37574	ARM - front L.H. (1890, 1890K)	1
4	C 37573	ARM - front R.H. (1890, 1890K)	1
5	C 37578	PIN - cross bar	1
6	C 37579	BAR - cross	1
7	C 37577	TUBE - wire	1
8	C 37583	LOCK - forward nose down	2
9	C 45390	TUBE - drive idler (1890, 1890K)	1
9	C 44329	TUBE - drive idler (1890V)	1
10	C 37576	BUSHING - deck lift arm (3/8" long)	3
11	C 37586	BUSHING - pivot (1/2" long)	1
12	113- 417	BOLT - 1/2" - 13 x 1-1/4"	6
13	113- 441	BOLT - 1/2" - 13 x 2-1/4"	1
14	C 37582	BOLT - 3/8" - 16 x 3"	2
15	195- 106	WASHER - 1/2"	8
16	192- 23	LOCKWASHER - 1/2"	7
17	195- 104	WASHER - 3/8"	2
18	131- 938	NUT - flange lock 3/8" - 16	1
19	129- 105	NUT - 1/2" - 13	1
20	132- 310	PIN - cotter 1/8" x 1"	2
21	C 37595	SPRING - idler tension	1
22	C 15672	PULLEY - idler 2-1/4" O.D.	1
23	C 37597	SCREW - machine #10 - 32 x 5/8"	2
24	C 37521	SWITCH - safety	1
25	C 37598	NUT - lock #10 - 32	2
26	C 38594	ARM - deck lift L.H. (1890, 1890K)	1
27	131- 71	NUT - lock 1/4" - 20	4
28	129- 103	NUT - 3/8" - 16	5
29	192- 21	LOCKWASHER - 3/8"	1
30	113- 257	BOLT - 3/8" - 16 x 2-1/2"	1
31	C 37815	SPRING - lift assist	2
32	C 37816	CABLE - lift	2
33	113- 4	BOLT - 1/4" - 20 x 1"	4
34	C 44249	ARM - deck L.H. (shown) 1890V (use before PIN 953401036)	1
34	C 44250	ARM - deck R.H. (1890V)	1
34	C 45099	ARM - deck L.H. 1890V (use PIN 953401036 and after)	1
35	C 44245	ARM - idler (1890V) (use before PIN 953401036) shown	1
35	C 45095	ARM - idler 1890V (use PIN 953401036 and after)	1
36	C 25229	BEARING - flange (1890V)	2
37	C 25370	PULLEY - "V" idler (1890V)	1
38	C 45102	BUSHING - pulley (1890V)	1
39	C 12251	PULLEY - flat (1890V) shown (use before PIN 953401036)	1
39	C 45121	PULLEY - idler, flat (use PIN 953401036 and after)	1
40	129- 103	NUT - 3/8" - 16 (1890V)	2
40	131- 938	NUT - 3/8" - 16 flange lock	1
41	195- 104	WASHER - 3/8" (1890V)	UAR
42	192- 21	LOCKWASHER - 3/8" (1890V) (use before PIN 953401036)	2
43	113- 219	BOLT - 3/8" - 16 x 2" (1890V)	2
44	C 44242	SPRING - extension (1890V)	1
45	113- 103	BOLT - 5/16" - 18 x 1" (1890V)	1
46	131- 911	NUT - 5/16" - 18 flange lock (1890V)	1
47	C 28263	WASHER - spring (1890V)	1
48	131- 1182	NUT - 1/2" - 13 lock 1890V (use PIN 953401036 and after)	1
49	195- 533	WASHER - 1/2" 1890V (use PIN 953401036 and after)	1
50	C 41051	TUBE - spring loaded idler (included with base)	1
51	C 44405	GUARD - belt (1890V)	1
52	113- 102	BOLT - 5/16" - 18 x 3/4"	2
53	192- 20	LOCKWASHER	2

BASE ASSEMBLY
1800SS, 1800KSS)



REF.	PART NO.	DESCRIPTION	REQ'D
1	C 37572	BASE - (includes ref. 15)	1
2	C 37573	DECK LIFT ARM - Front RH (shown)	1
2	C 37574	DECK LIFT ARM - Front LH	1
3	C 37575	DECK LIFT ARM - Back	1
4	C 37576	BUSHING, Short	2
5	C 38990	BELT RETAINER	1
7	C 38988	BELT RETAINER MOUNT	1
8	C 37586	BUSHING - Long	2
9	C 37581	WASHER	1
10	C 37582	DECK BELT ADJUSTMENT BOLT	2
11	C 37583	FORWARD NOSE DOWN LOCK	1
12	C 37577	WIRE TUBE	1
13	C 37579	CROSS BAR	1
14	C 37578	CROSS BAR PIN	1
15	C 38651	TUBE - spring loaded idler (is part of base)	1

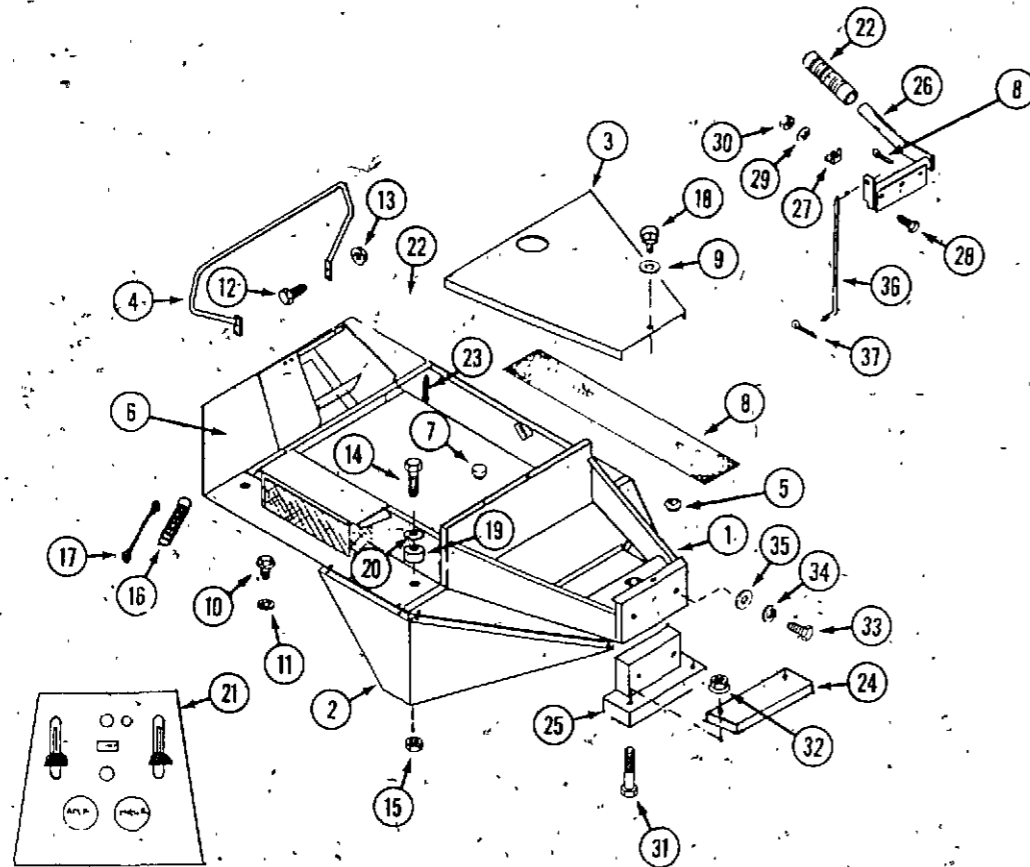
BASE ASSEMBLY
2000



1	C 37599	BASE - (includes ref. 34)	1
2	C 37600	LIFT BAR	1
3	C 37578	CROSS BAR PIN	1
4	C 37573	DECK LIFT ARM - Front Adjustable RH	1
	C 37574	DECK LIFT ARM - Front Adjustable LH	1
5	C 39006	DECK LIFT ARM - Back RH	1
5	C 38996	DECK LIFT ARM - Back LH (shown)	2
6	C 37586	BUSHING - Long	2
7	C 37577	WIRE TUBE	1
8	C 37576	BUSHING - short	2
9	C 38445	IDLER PULLEY	1
10	C 37603	SPRING LOADED IDLER MOUNT	1
11	C 37595	SPRING	1
12	C 37604	LEVER - brake	1
13	C 37607	BRAKE CLUTCH ROD	1
14	C 387606	BRAKE ROD	1
15	C 37607	CROSS ROD BEARING	2
16	C 37582	DECK ARM ADJUSTING BOLT	2
17	C 37631	GRIP - handle	1
18	C 37609	BRAKE CABLES	2
19	C 37610	AXLE	1
20	C 37611	BRAKE DISC	2
21	C 37612*	HUB - 5 bolt (for 7/16" bolts)	2
21	C 44847**	HUB - 5 bolt (for 1/2" bolts)	2
22	C 37613	BRAKE CALIPER MOUNT	2
23	NSS	CABLE END - (use C42895, C42896)	4
24	NSS	BUSHING - (use C42895, C42896)	4
25	C 37616	CLAMP	2
26	C 37617	CABLE DEAD HEAD	2
27	N/A	TIRE ASSEMBLY - 20 x 8.00-10	2
	C 37619	TIRE - 20 x 8.00-10	1
	C 37620	RIM	1
27	NSS*	TIRE ASSEMBLY - 20 x 10.00-10	2
	C 37622*	TIRE - 20 x 10.00-10	1
	C 37623*	RIM	1
27	NSS**	TIRE ASSEMBLY - 20 x 10.00 - 10	2
	C 44850**	RIM	1
	NSS**	TIRE - 20 x 10.00 - 10	1
28	C 37624	LUG BOLT - 7/16" - 20 x 3/4"	UAR
28	C 44848	LUG BOLT - 1/2" - 20 x 1"	UAR
29	C 37625	BRAKE CALIPER - R.H.	1
29	C 37626	BRAKE CALIPER - L.H. (Shown)	1
30	C 37627	BRAKE PUCKS	1
31	C 37628	HUB NUT	2
32	C 37629	COTTER KEY	2
33	C 37630	BRACKET - lever stop	1
34	C 37631	GRIP - handle	1
35	C 38651	TUBE - spring loaded idler (included with base)	1

* Use before PIN: 953401031
** Use Pin 953401031 and after

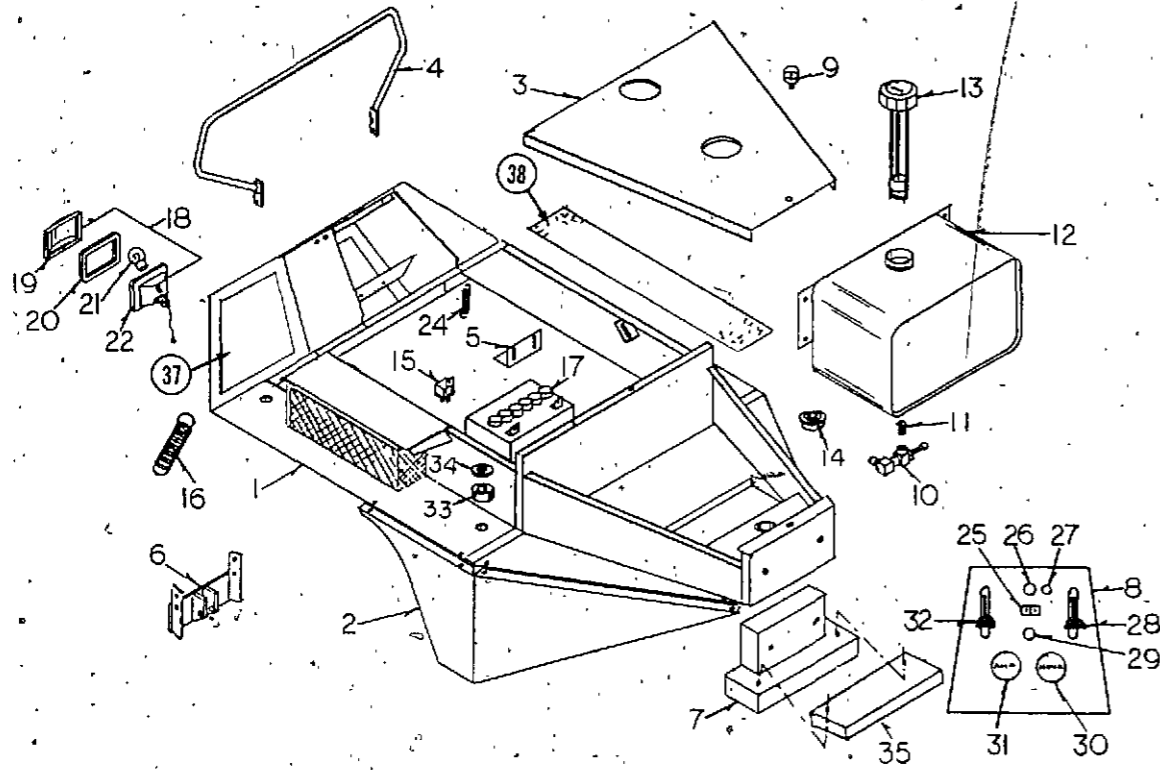
BODY ASSEMBLY
(1800SS, 1800KSS, 1890, 1890K, 1890V)



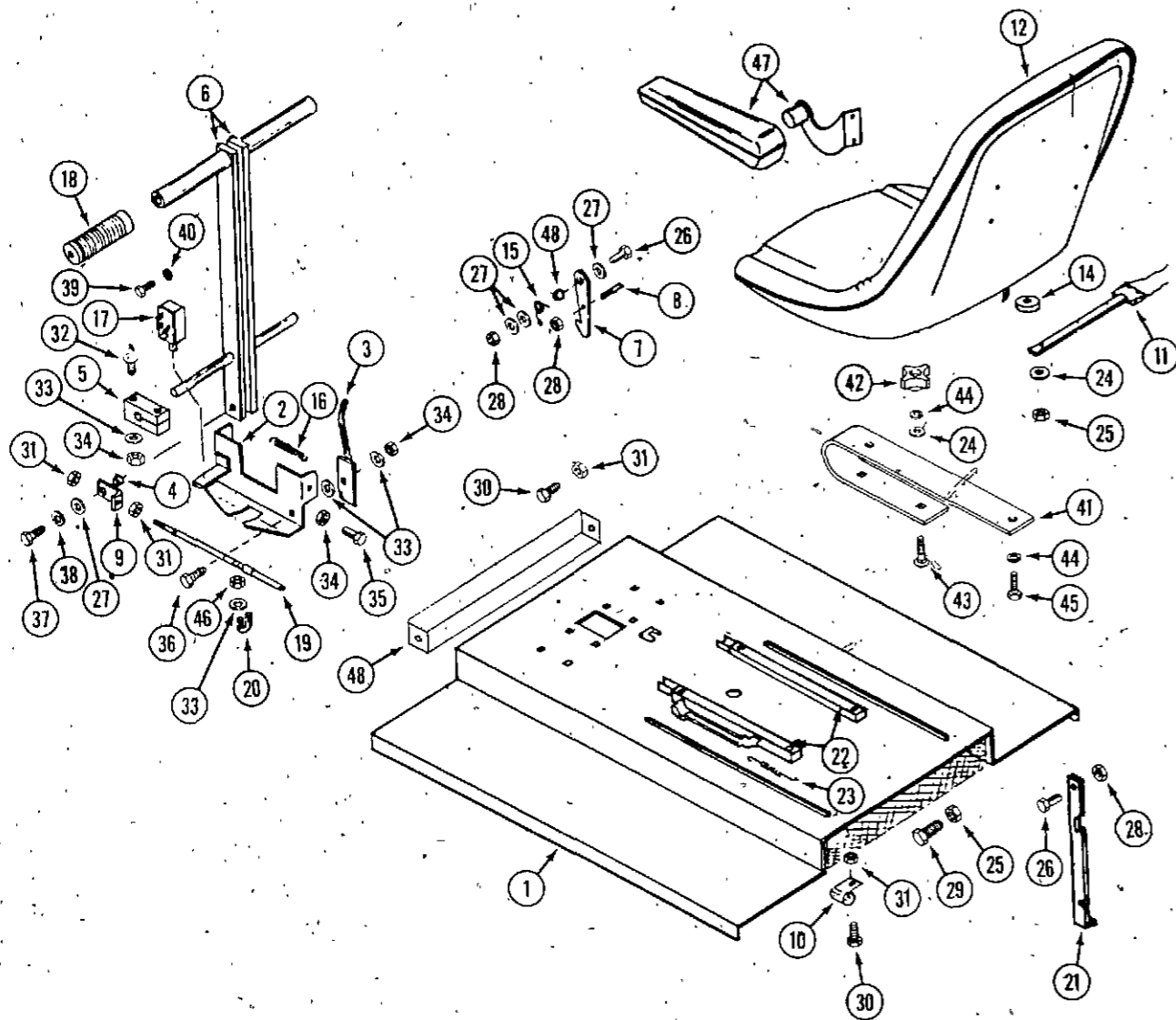
REF.	PART NO.	DESCRIPTION	REQ'D
1	C 44417	BODY - (1890V)	1
1	C 41151	BODY - (1890, 1890K, 1800SS, 1800KSS)	1
2	C 41175	FENDER - L.H. (Shown)	1
2	C 41179	FENDER - RH	1
3	C 41163	BACK COVER	1
4	C 44844	GUARD RAIL	1
5	C 37824	BEARING	2
6	C 43419	PAD - safety walk L.H. front	1
6	C 43420	PAD - safety walk R.H. front	1
7	C 37817	BUMPER - nylon	4
	C 44036	TRIM - tower (not shown)	1
8	C 43421	PAD - safety walk R.H. side	1
9	C 41945	GROMMET	1
10	C 34808	BOLT - 1/4" - 20 x 3/4" tapping	8
11	192- 19	LOCKWASHER - 1/4"	8
12	C 42056	BOLT - 5/16" - 18 x 5/8" black	4
13	131- 911	NUT - 5/16" - 18 flange lock	4
14	113- 425	BOLT - 1/2" - 13 x 3"	4
15	131- 70	NUT - 1/2" - 13 lock	4
16	C 37815	DECK SPRING	2
17	C 37816	DECK LIFT CABLE	2
18	C 41944	DZUS FASTENER	1
19	C 37818	RUBBER BODY MOUNT	8
20	C 37581	BODY MOUNT WASHER	4
21	C 37821	DASH BOARD	1
	C 39403	SCREW - #12 x 1/2 dash board	4
22	C 37631	GRIP - handle	1
23	C 38408	SPRING	1
24	C 37958	TAIL WEIGHT - 13 lbs. (optional)	UAR
25	C 37810	WEIGHT - tail	1
26	C 37604	HANDLE - brake	1
27	C 37630	BRACKET - stop	1
28	113- 3	BOLT - 1/4" - 20 x 3/4"	4
29	192- 19	LOCK WASHER - 1/4"	4
30	129- 101	NUT - 1/4" - 20	4
31	113- 259	BOLT - 3/8" - 16 x 4-1/2"	2
32	131- 1352	NUT - 3/8" - 16 flange lock	2
33	113- 103	BOLT - 5/16" - 18 x 1"	2
34	192- 20	LOCKWASHER - 5/16"	2
35	195- 103	WASHER - 5/16"	2
36	C 37721	ROD - brake (1800SS, 1800KSS)	1
36	C 37822	ROD - brake (1890, 1890K, 1890V)	1
36	C 37822	ROD - brake (1890, 1890K, 1890V)	1
37	132- 332	PIN - cotter 3/32" x 1"	1

BODY ASSEMBLY
2000

REF.	PART NO.	DESCRIPTION	REQ'D
1	C 45498	BODY	1
2	C 41167	FENDER - L.H. (shown)	1
	C 41171	FENDER - R.H.	1
3	C 41187	BACK COVER	1
4	C 44844	GUARD RAIL	1
5	C 37835	HOLD DOWN	1
6	C 37836	TOP CYLINDER MOUNT - before PIN 953408001 only	1
7	C 37810	TAIL WEIGHT	1
8	C 37821	DASHBOARD	1
9	C 41944	DZUS FASTENER	1
10	C 37811	SHUTOFF VALVE	1
11	C 37812	NIPPLE - 1/8"	1
12	NSS	FUEL TANK - 1-3/4" filler tube (use C45119, C44822)	1
12	C 45119	TANK - fuel (2-1/4" filler tube)	1
13	C 44290	FUEL TANK CAP w/Gauge - 1-3/4"	1
13	C 44822	CAP - fuel tank, with gauge (2-1/4" thread)	1
14	C 37824	BEARING	2
15	C 37515	RELAY	3
16	C 37815	DECK SPRING	2
17	C 41010	BATTERY	1
18	C 37506	LIGHT ASSEMBLY	2
19	C 22573	LENS	2
20	C 14304	GASKET	4
21	C 37508	BULB	2
22	C 37509	LAMP	2
24	C 38408	SPRING	1
25	C 43044	LIGHT SWITCH	1
26	C 31937	CLUTCH SWITCH	1
27	C 37519	OIL LIGHT	1
28	C 37820	THROTTLE CABLE	1
29	C 24145	IGNITION SWITCH	1
30	C 37518	HOUR METER	1
31	C 37517	AMP METER	1
32	C 37819	CHOKE CABLE	1
33	C 37818	RUBBER BODY MOUNT	8
34	C 37581	BODY MOUNT WASHER	4
35	C 37958	TAIL WEIGHT - 13 lb. (optional)	UAR
37	C 43419	PAD - safety, front LH	1
37	C 43920	PAD - safety, front RH	1
38	C 43421	PAD - safety, side	1

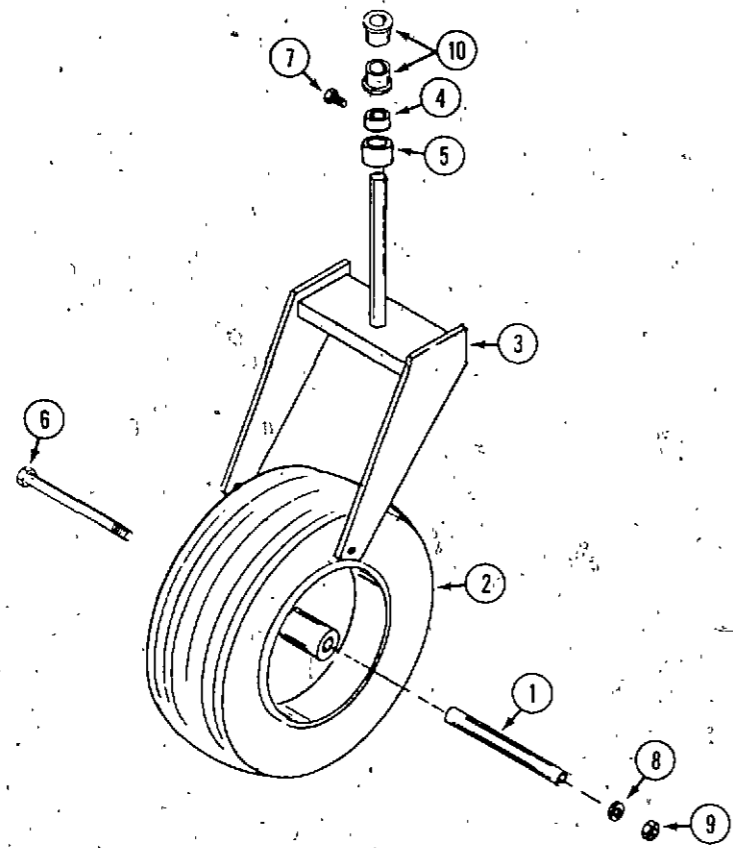


SEAT LID AND STEERING



REF.	PART-NO.	DESCRIPTION	REQ'D
1	C 38054*	LID - seat (1890, 1890K, 2000, 1800SS, 1800KSS)	1
1	C 44237**	LID - seat (1890, 1890K, 1890V, 2000)	1
2	C 37840	BRACKET - lever lock	1
3	C 37841	LATCH - lever lock	1
4	C 42895	BUSHING - (also order C42896)	2
5	C 37842	BEARING - block	4
6	C 37843*	LEVER - steering (1890, 1890K, 2000, 1800SS, 1800KSS)	2
6	C 44915**	LEVER - steering (1890, 1890K, 1890V, 2000)	2
7	C 44481	LATCH - seat lid	1
8	NSS	BOLT - latch, seat lid (is included with C44481)	1
9	C 37713	BRACKET - steering cable end (2000)	4
9	C 42896	BRACKET - steering cable end (also order C42895) (1800SS, 1800KSS, 1890, 1890K, 1890V)	4
10	C 32455	RETAINER - harness, seat lid	1
11	C 44012	SWITCH - seat	1
12	C 37847*	SEAT - (1890, 1890K, 2000, 1800SS, 1800KSS)	1
12	C 43202**	SEAT - (1890, 1890K, 1890V, 2000)	1
14	C 37850*	SPACER - seat	4
15	C 37851	SPRING - latch, seat lid	1
16	C 37837	SPRING - bracket, lever lock	1
17	C 37521	SWITCH - safety	1
18	C 37631	GRIP - handle	2
19	NSS	CABLE - steering (1890, 1890K, 1890V) (see page 49)	2
19	C 37705	CABLE - steering (1800SS, 1800KSS)	2
19	C 37717	CABLE - steering (2000)	2
20	C 37616	CLAMP - steering cable (1800SS, 1800KSS, 1890, 1890K, 1890V)	UAR
20	C 37718	CLAMP - steering cable (2000)	4
21	C 37852	PROP - seat lid	1
22	C 37848*	KIT - seat slide rail (pair)	1
23	C 37853	SPRING - seat	1
24	195- 103	WASHER - 5/16"	4
25	131- 69	NUT - 5/16"	4
26	113- 4	BOLT - 1/4" - 20 x 1"	2
27	195- 102	WASHER - 1/4"	5
28	131- 71	NUT - 1/4" - 20 lock	3
29	113- 103	BOLT - 5/16" - 18 x 1"	2
30	182- 528	SCREW - #10 - 32 x 1/2"	3
31	193-1000	NUT - #10 - 32	7
32	111- 114	BOLT - 1/4" - 20 x 1-1/2" carriage	8
33	195- 102	WASHER - 1/4"	10
34	131- 71	NUT - 1/4" - 20 lock	11
35	113- 3	BOLT - 1/4" - 20 x 3/4"	2
36	C 42359	BOLT 1/4" - 20 x 2"	1
37	113- 3	BOLT - 1/4" - 20 x 3/4"	2
38	192- 19	LOCKWASHER - 1/4"	2
39	182- 525	SCREW - #10 - 32 x 3/8"	1
40	192- 18	LOCKWASHER - 3/16"	1
41	C 43137**	SPRING - seat (1890, 1890K, 1890V, 2000)	2
42	C 43438**	KNOB - seat (1890, 1890K, 1890V, 2000)	4
43	111- 204	BOLT - carriage 5/16" - 18 x 1-1/4"	4
44	192- 20	LOCKWASHER - 5/16"	8
45	113- 103	BOLT - 5/16" - 18 x 1"	4
46	131-1102	NUT - 1/4" - 20	8
47	NSS	KIT - arm rest (optional) (order as machinery item)	-
	C 22947	TIE - nylon	1
48	C 37826	PLATE - filler	1
49	C 44498	SPACER - latch	1
	C 37830	TRIM - edge (12-3/4") cut to length	3

* Use before PIN:
 ** Use PIN and after:
 G2000C II - 953401031
 G1890 - 953404001
 G1890K - 953403006
 G1890V - all after

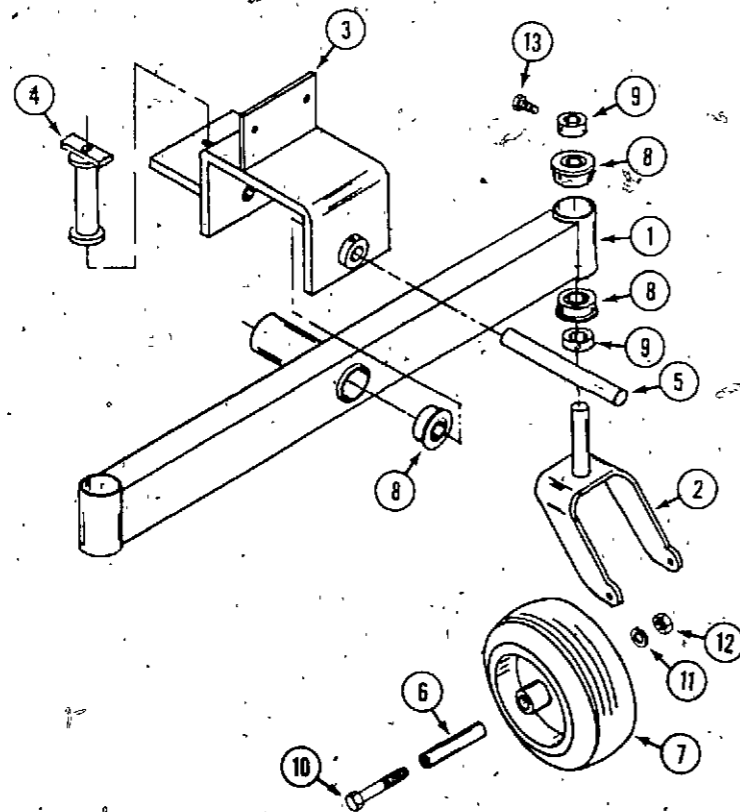


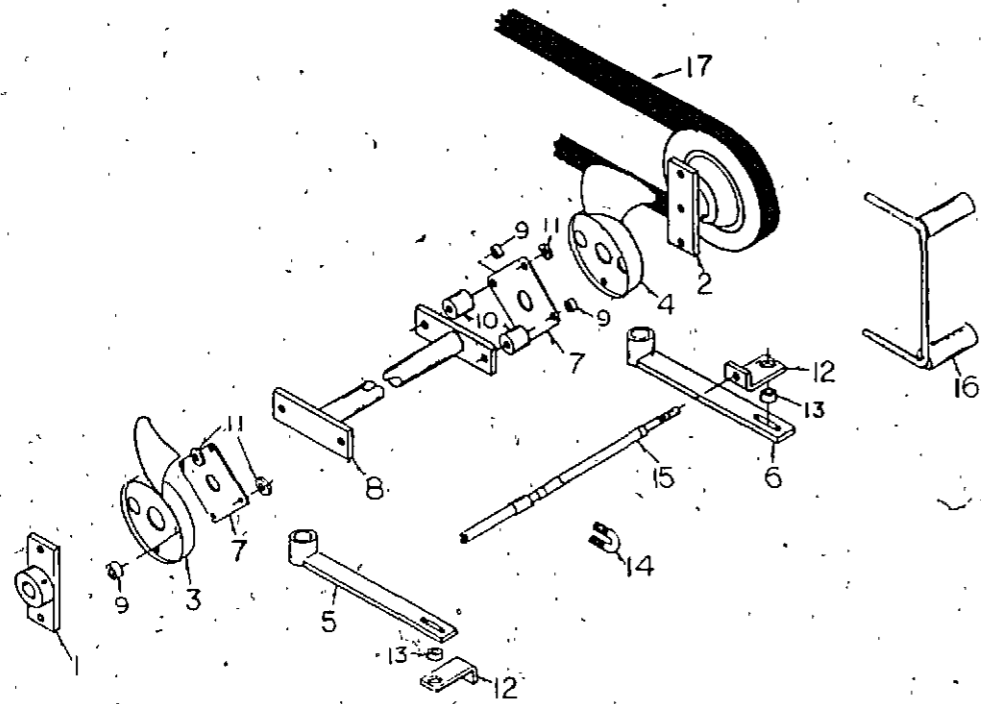
SINGLE TAIL WHEEL

REF.	PART NO.	DESCRIPTION	REQ'D
1	C 37854	AXLE - wheel	1
2	C 37855	WHEEL ASSEMBLY - tail	1
	C 37856	BEARING - wheel	2
	C 37857	TIRE - 15 x 6.50 - 8	8
	C 37858	RIM - 8"	1
3	C 37859	FORK - tail wheel	1
4	C 37860	COLLAR - set 1"	1
5	C 37861	SPACER - tail wheel fork	1
6	113- 452	BOLT - 1/2" - 13 x 9-1/2"	1
7	85- 58	SCREW -set 5/16" - 18 x 1/2" square head	1
8	192- 23	LOCKWASHER - 1/2"	1
9	129- 105	NUT - 1/2" - 13	1
10	C 37824	BEARING - ball 1"	2
	219- 92	FITTING - grease 90° 1/4" - 28 self tap (caster pivot)	1

DUAL TAIL WHEEL

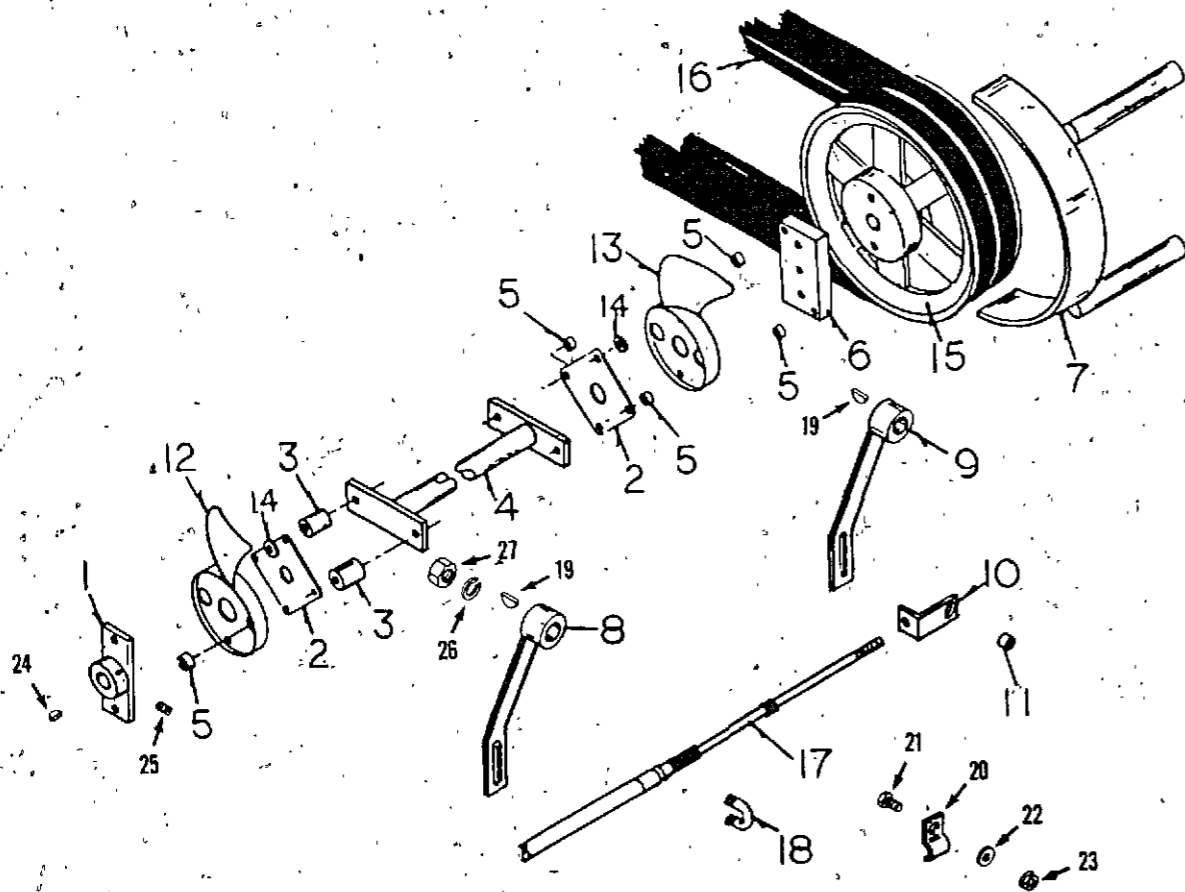
1	C 37863	AXLE - dual wheel	1
2	C 39016	FORK - tail wheel	2
3	C 37865	BRACKET - mounting	1
4	C 37866	TUBE - block	1
5	C 38230	PIVOT - axle	1
6	C 37915	AXLE - wheel	2
7	C 37869	WHEEL ASSEMBLY	2
	C 44499	BEARING - wheel	2
	C 37870	TIRE - 13 x 5.00 - 6	2
	C 37871	RIM -	2
8	C 37824	BEARING - 1"	6
9	C 37860	COLLAR - set 1"	4
10	113-2419	BOLT - 1/2" - 13 x 6-1/2"	2
11	192- 23	LOCKWASHER - 1/2"	2
12	129- 105	NUT - 1/2" - 13	2
13	C 37756	SCREW -set 5/16" - 18 x 1/2" square head	4
	219- 92	FITTING - grease 90° 1/4" - 28 self tap (caster pivot)	4





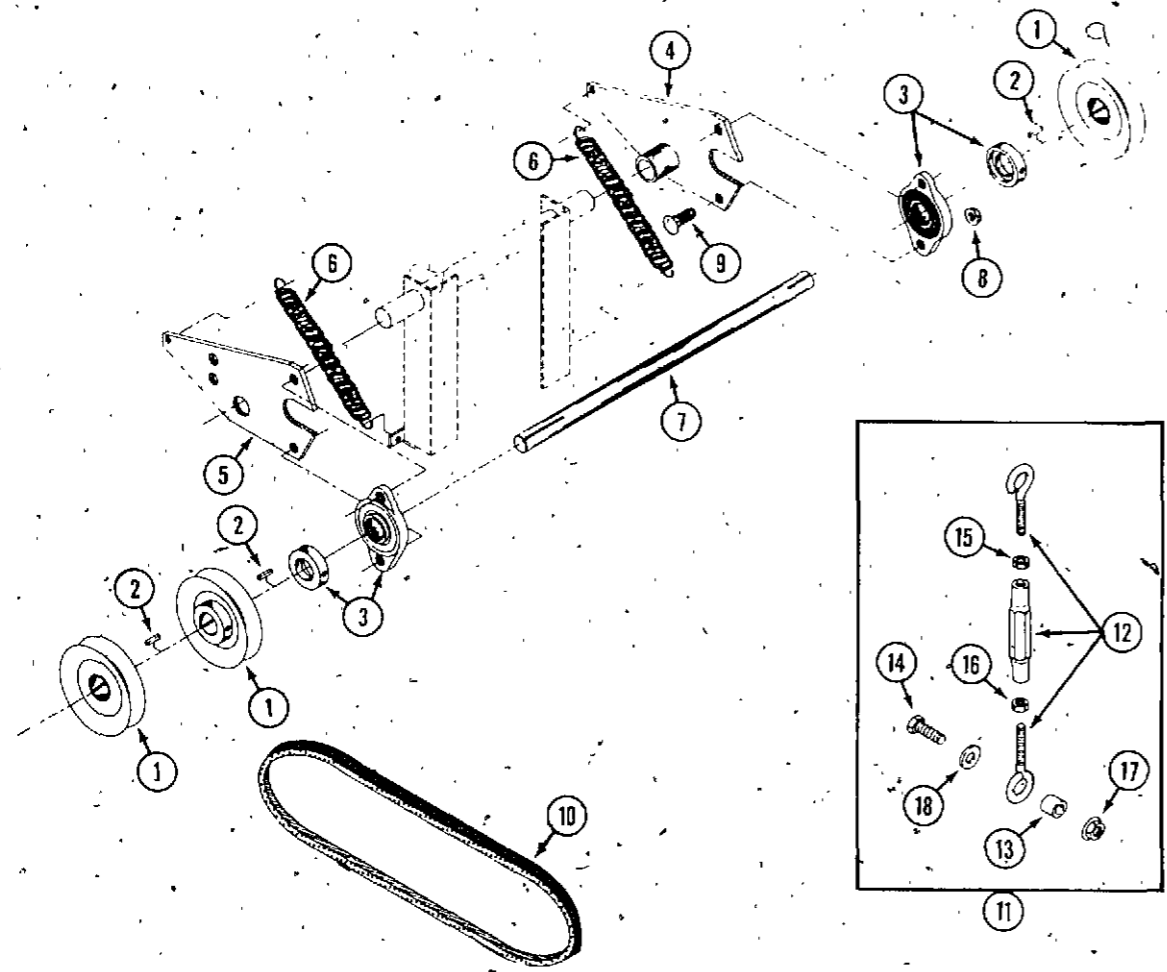
REF.	PART NO.	DESCRIPTION	REQ'D
1	C 37694	HUB w/drive plate	1
2	C 37695	PULLEY w/drive plate	1
3	C 37696	CCW FAN	1
4	C 37697	CW FAN	1
5	C 37698	TRANSMISSION ARM - L.H.	1
6	C 37699	TRANSMISSION ARM - R.H.	1
7	C 37700	DRIVE PLATE	2
8	C 37701	TRANSMISSION CROSS SHAFT	1
9	C 37702	BOLT SPACER	4
10	C 37703	SPACER	2
11	C 37704	WASHER - 1/4" 10 ga.	6
12	C 37614	STEERING CABLE END	4
13	C 37615	BUSHING - steering lever	4
14	C 37616	STEERING CABLE CLAMP	4
15	C 37705	STEERING CABLE	2
16	C 38507	BELT RETAINER - Transmission	1
17	C 37707	BELT	1

**PUMP DRIVE
2000**



1	C 37708	HUB - w/drive plate	1
2	C 37700	DRIVE PLATE	2
3	C 37703	SPACER	2
4	C 37709	CROSS SHAFT	1
5	C 37702	BOLT SPACER	6
6	C 37710	CROSS BAR-BLOCK	1
7	C 38438	TRANSMISSION BELT RETAINER	1
8	C 37711	TRANSMISSION ARM - L.H.	1
9	C 37712	TRANSMISSION ARM - R.H.	1
10	C 37713	STEERING CABLE ENDS	4
11	C 42895	STEERING CABLE ENDS BUSHING	4
12	C 37696	CCW FAN - L.H.	1
13	C 37697	CW FAN - R.H.	1
14	C 37704	WASHER - 5/16"	4
15	C 37715	PULLEY	1
16	C 37716	BELTS	2
17	C 37717	STEERING CABLE	2
18	C 37718	CLAMP	2
19	126- 11	KEY - woodruff	2
20	C 33125	CLAMP - cable (at fan)	2
21	113- 102	BOLT - 5/16" - 18 x 3/4"	1
22	195- 103	WASHER - 5/16"	1
23	131- 911	NUT - 5/16" - 18 flange lock	1
24	126- 16	KEY - 3/16" x 3/4" woodruff	1
25	83- 55	SCREW - set 5/16" - 18 x 5/16"	1
26	192- 23	LOCKWASHER - 1/2"	2
27	129- 105	NUT - 1/2" - 13	2

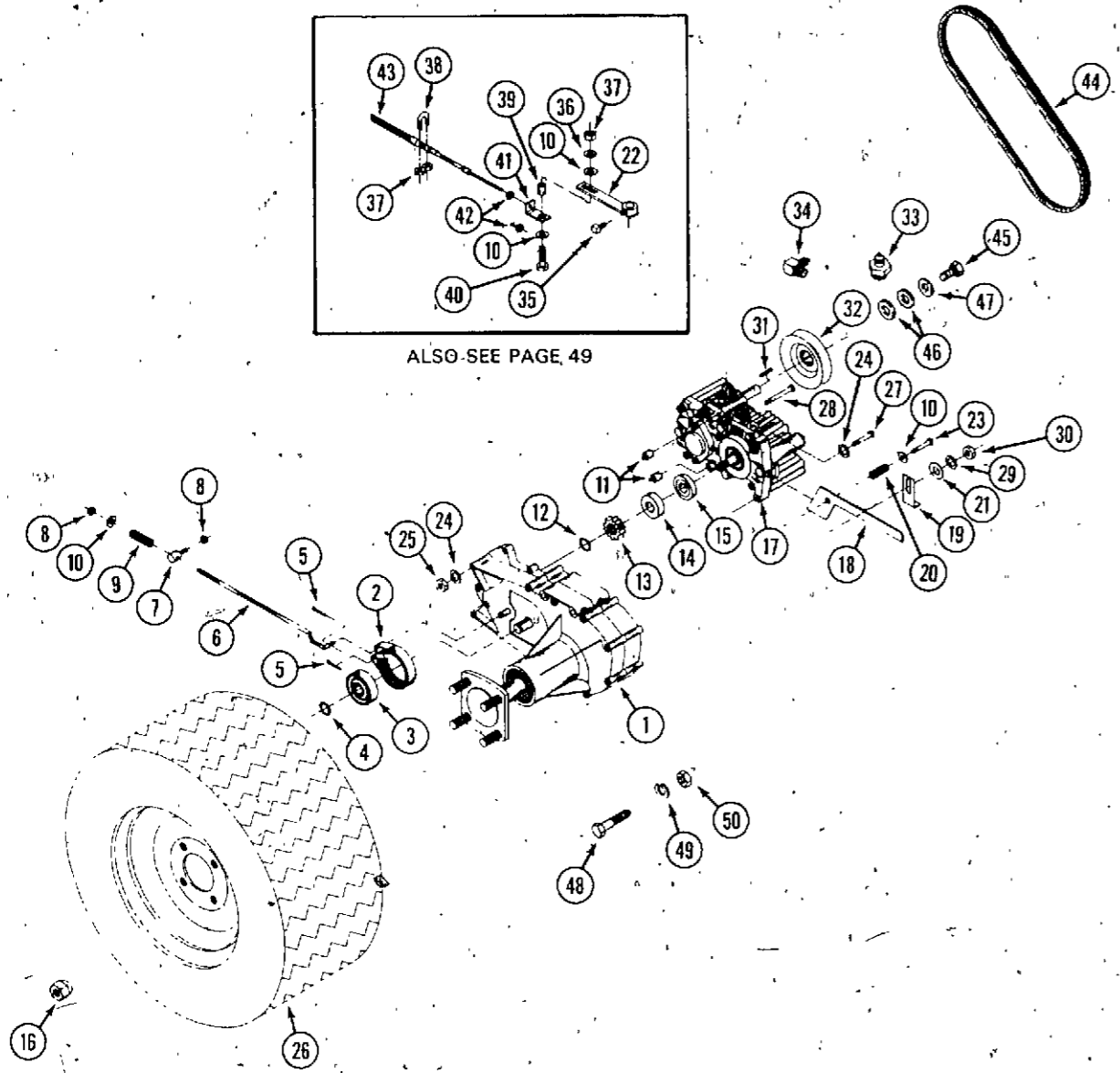
PUMP DRIVE CROSS SHAFT
(1890, 1890K, 1890V)



REF.	PART NO.	DESCRIPTION	REQ'D
1	C 37770	PULLEY - 4" OD x 3/4" ID (use 83-55 set screw)	3
2	C 29581	KEY - 3/16" x 3/16" x 1"	3
3	C 37773	BEARING - flanged (includes locking collar)	2
4	C 37774	MOUNT - bearing L.H.	1
5	C 37775	MOUNT - bearing R.H.	1
6	C 37776*	SPRING - extention	2
7	C 37777	SHAFT - cross	1
8	131- 911	NUT - 5/16 - 18 flange lock	4
9	111- 203	BOLT - 5/16" - 18 x 1" carriage	4
10	C 37762	BELT - drive (1890, 1890K)	1
10	C 24342	BELT - drive (1890V)	1
11	C 45420	KIT - belt tension	1
12	C 45123	TURNBUCKLE	2
13	C 45146	SPACER	2
14	113- 209	BOLT - 3/8" - 16 x 1-1/2"	2
15	129- 103	NUT - 3/8" - 16	2
16	129- 175	NUT - 3/8" - 16 L.H. threads	2
17	131- 938	NUT - 3/8" - 16 flange lock	2
18	195- 2029	WASHER	2

* Can be replaced by C45420 belt tension kit.

DRIVE ASSEMBLY R.H.
(1890, 1890K, 1890V)

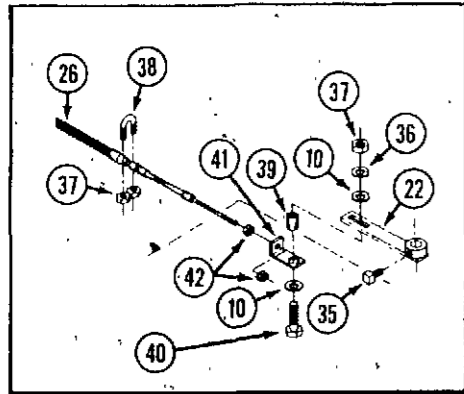


ALSO-SEE PAGE 49

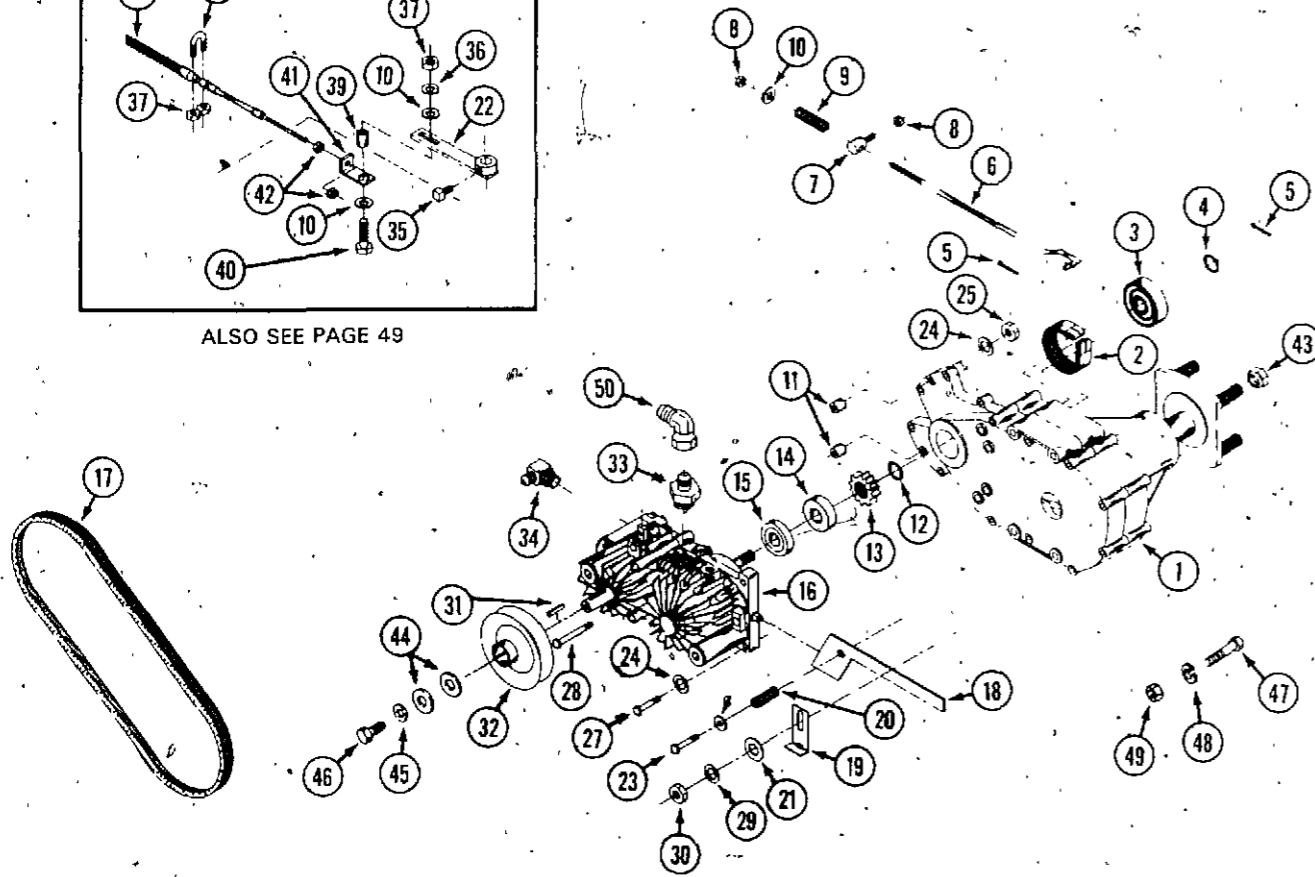
REF.	PART NO.	DESCRIPTION	REQ'D
1	C 37729	TRANSMISSION - ZT	1
2	C 37730	BAND - brake	1
3	C 37731	DRUM - brake	1
4	C 37732	RING - snap	1
5	132- 332	PIN - cotter 1/8" x 1"	2
6	C 37733	ROD - brake	1
7	C 37724	COLLAR - brake rod	1
8	131- 71	NUT - lock 1/4" - 20	2
9	C 37725	SPRING	1
10	195- 102	WASHER - 1/4"	5
11	C 37736	SPACER	2
12	C 37737	RING - snap	1
13	C 37738	GEAR	1
14	C 37739	BEARING	1
15	C 37740	SPACER	1
16	C 37657	NUT - lug 1/2" - 20	4
17	C 45399	PUMP - hydro R.H. (also use C45408 kit before PIN 953404001)	1
18	C 37742*	LEVER - transmission dump	1
18	C 45166*	LEVER - transmission dump R.H.	1
19	C 37743	BRACKET - dump lever stop	1
20	C 37744	SPRING - compression	1
21	195- 103	WASHER - 3/8"	1
22	C 37746	ARM - transmission	1
23	C 37747	BOLT - dump valve	1
24	192- 20	LOCKWASHER - 5/16"	4
25	129- 102	NUT - 5/16" - 18	2
26	C 37763	WHEEL ASSEMBLY	1
	C 37652	TIRE - 18 x 9.50 - 8	1
	C 37656	RIM - wheel	1
27	113- 120	BOLT - 5/16" - 18 x 1-3/4"	2
28	C 37751	BOLT - 5/16" - 18 x 7-1/2"	2
29	C 37591	LOCKWASHER - 3/8"	1
30	C 37592	NUT - 3/8" - 16	1
31	C 37752	KEY - 5 x 5 x 25 mm	1
32	C 45272	PULLEY - 4" OD x 15 mm ID (1890, 1890K)	1
32	C 45473	PULLEY - 4" OD x 15 mm ID (1890V) (before PIN 953407051 also use C45474 shaft)	1
33	218- 5354	ADAPTER	1
34	C 37755	ADAPTER - 90°	1
35	C 37756	SCREW - set 5/16" - 18 x 1/2" square head (early production)	1
36	C 37757	LOCKWASHER - 1/4"	1
37	131- 1102	NUT - 1/4" - 20	3
38	C 37616	CLAMP - cable	1
39	C 37615	BUSHING - cable	1
40	113- 4	BOLT - 1/4" - 20 x 1"	1
41	C 37614	BRACKET - cable end	1
42	193- 1000	NUT - lock #10 - 32	4
43	NSS	CABLE - steering 58" (see page 49)	1
44	C 37761	BELT - pump drive	1
45	C 37200	BOLT - M6 - 1.0 x 12mm flange	1
46	195- 2063	WASHER - .625" x 1" (early production)	1
47	195- 520	WASHER - .312" x .875" (early production)	1
48	113- 203	BOLT - 3/8" - 16 x 3-1/2" mounting	1
48	113- 267	BOLT - 3/8" - 16 x 4" mounting	7
49	192- 21	LOCKWASHER - 3/8"	8
50	129- 103	NUT - 3/8" - 16	8

* Use before PIN:
** Use PIN and after:
G1890 - 953404001
G1890K - 953403007
G1890V - 953403004

DRIVE ASSEMBLY L.H.
(1890, 1890K, 1890V)



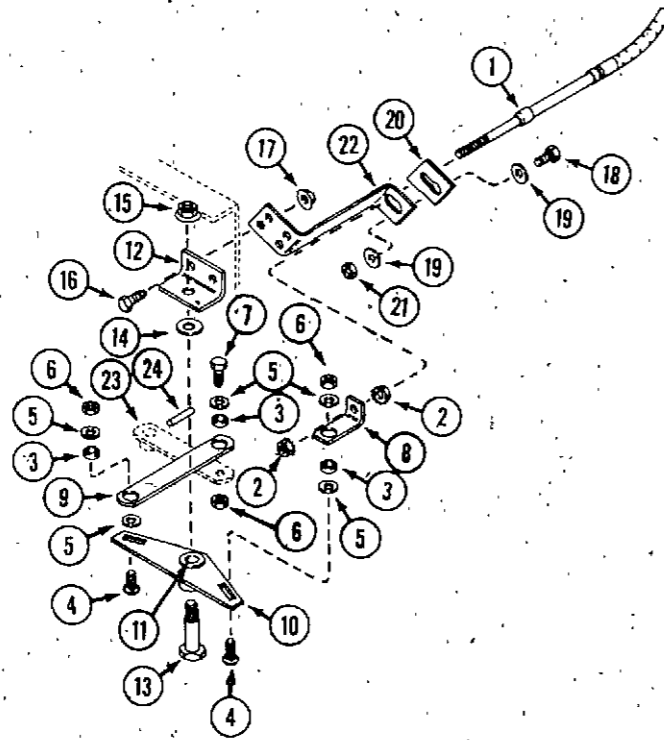
ALSO SEE PAGE 49



REF.	PART NO.	DESCRIPTION	REQ'D
1	C 37729	TRANSMISSION - ZT	1
2	C 37730	BAND - brake	1
3	C 37731	DRUM - brake	1
4	C 37732	RING - snap	1
5	132- 332	PIN - cotter 1/8" x 1"	2
6	C 37733	ROD - brake	1
7	C 37724	COLLAR - rod	1
8	131- 71	NUT - lock 1/4" - 20	2
9	C 37725	SPRING	1
10	195- 102	WASHER - 1/4"	5
11	C 37736	SPACER	2
12	C 37737	RING - snap	1
13	C 37738	GEAR	1
14	C 37739	BEARING	1
15	C 37740	SPACER	1
16	C 45398	PUMP - hydro L.H. (also use C45408 kit before PIN 953404001)	1
17	C 37761	BELT - pump drive	1
18	C 37742*	LEVER - transmission dump	1
18	C 45165**	LEVER - transmission dump L.H.	1
19	C 37743	BRACKET - dump lever stop	1
20	C 37744	SPRING - compression	1
21	C 37765	WASHER - 3/8"	1
22	C 37746	ARM - transmission	1
23	C 37747	BOLT - dump lever	1
24	192- 20	LOCKWASHER - 5/16"	4
25	129- 102	NUT - 5/16" - 18	2
26	NSS	CABLE - steering 58" (see page 49)	1
27	113- 120	BOLT - 5/16" - 18 x 1-3/4"	2
28	113- 134	BOLT - 5/16" - 18 x 7-1/2"	2
29	C 37591	LOCKWASHER - 3/8"	1
30	C 37592	NUT - 3/8" - 16	1
31	C 37752	KEY - 5 x 5 x 25 mm	1
32	C 45272	PULLEY - 4" OD x 15 mm ID (1890, 1890K)	1
32	C 45473	PULLEY - 4" OD x 15 mm ID (1890V) (before PIN 953407051 also use C45474 shaft)	1
33	218- 5354	FITTING - male adapter	1
34	C 37755	FITTING - male adaptor 90°	1
35	C 37756	SCREW - set 5/16" - 18 x 1/2" square head (early production)	1
36	192- 19	LOCKWASHER - 1/4"	1
37	121- 101	NUT - 1/4" - 20	3
38	C 37616	CLAMP - cable	1
39	C 37615	BUSHING - cable	1
40	113- 4	BOLT - 1/4" - 20 x 1"	1
41	C 37614	BRACKET - cable end	1
42	193- 1000	NUT - lock #10 - 32	4
	C 37763	WHEEL ASSEMBLY - not shown	1
	C 37652	TIRE - 18 x 9.50-8	1
	C 37656	RIM - wheel	1
43	C 37657	NUT - lug 1/2" - 20	4
44	195- 2063	WASHER - .625" x 1" (early production)	1
44	C 25178	WASHER - shim .625" x 1" x .020"	4
45	195- 520	WASHER - .312" x .875" (early production)	1
46	C 37200	BOLT - M6 - 1.0 x 12 mm flange	1
47	113- 203	BOLT - 3/8" - 16 x 3-1/2" mounting	1
47	113- 267	BOLT - 3/8" - 16 x 4" mounting	7
48	192- 21	LOCKWASHER - 3/8"	8
49	129- 103	NUT - 3/8" - 16	8
50	C 38331	FITTING - 90° male to female	1

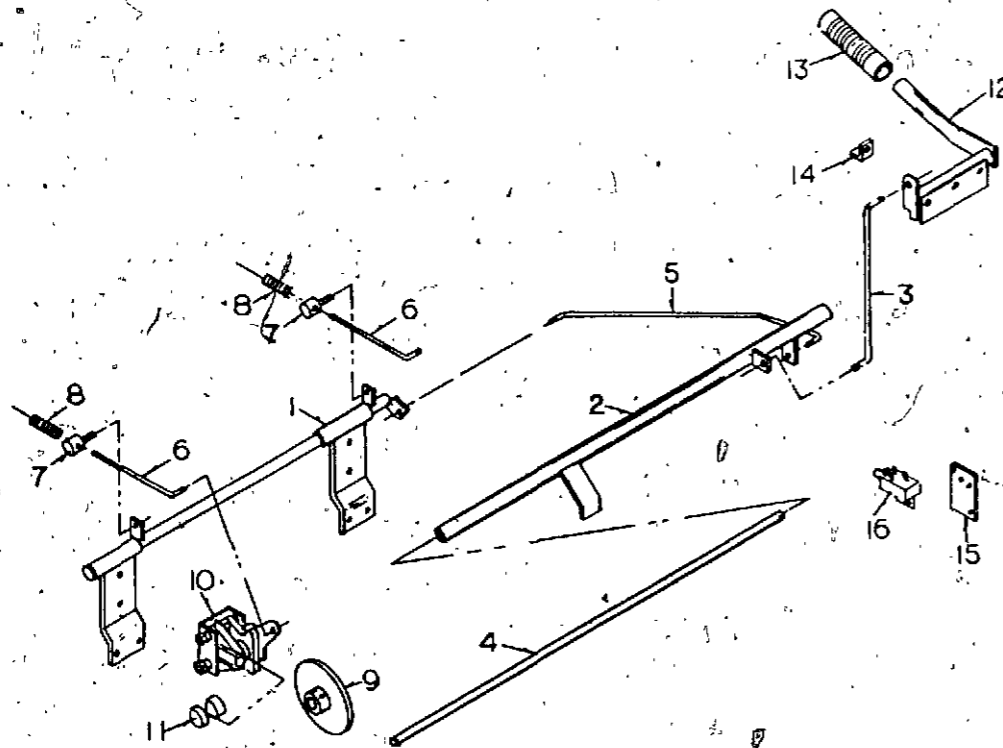
* Use before PIN:
** Use PIN and after:
G1890 - 953404001
G1890K - 953403007
G1890V - 953403004

C43293 STEERING CABLE KIT
(1890, 1890K, 1890V)



REF.	PART NO.	DESCRIPTION	REQ'D
1	C 42894	CABLE - steering 46"	2
2	193-1000	NUT - #10 - 32	8
3	C 42895	BUSHING - steering cable	8
4	111-111	BOLT - 1/4" - 20 x 1" carriage	4
5	195-102	WASHER - 1/4"	10
6	131-71	NUT - 1/4" - 10	6
7	113-4	BOLT - 1/4" - 20 x 1"	2
8	C 42896	BRACKET - steering cable end	4
9	C 42897	LINK - control cable	2
10	C 42898	BELLCRANK	2
11	C 16714	BUSHING	1
12	C 42901	BRACKET - bellcrank mounting	2
13	C 16745	BOLT - shoulder	2
14	195-533	WASHER - 1/2"	2
15	131-1352	NUT - 3/8" - 16 flange lock	2
16	113-103	BOLT - 5/16" - 18 x 1"	4
17	131-911	NUT - 5/16" - 18	4
18	113-4	BOLT - 1/4" - 20 x 1"	2
19	195-102	WASHER - 1/4"	4
20	C 42903	PLATE - cable mounting	2
21	131-71	NUT - 1/4" - 20 lock	2
22	C 42902	BRACKET - cable mounting	2
23	C 42904	ARM - transmission	2
24	C 34173	PIN - spring	2

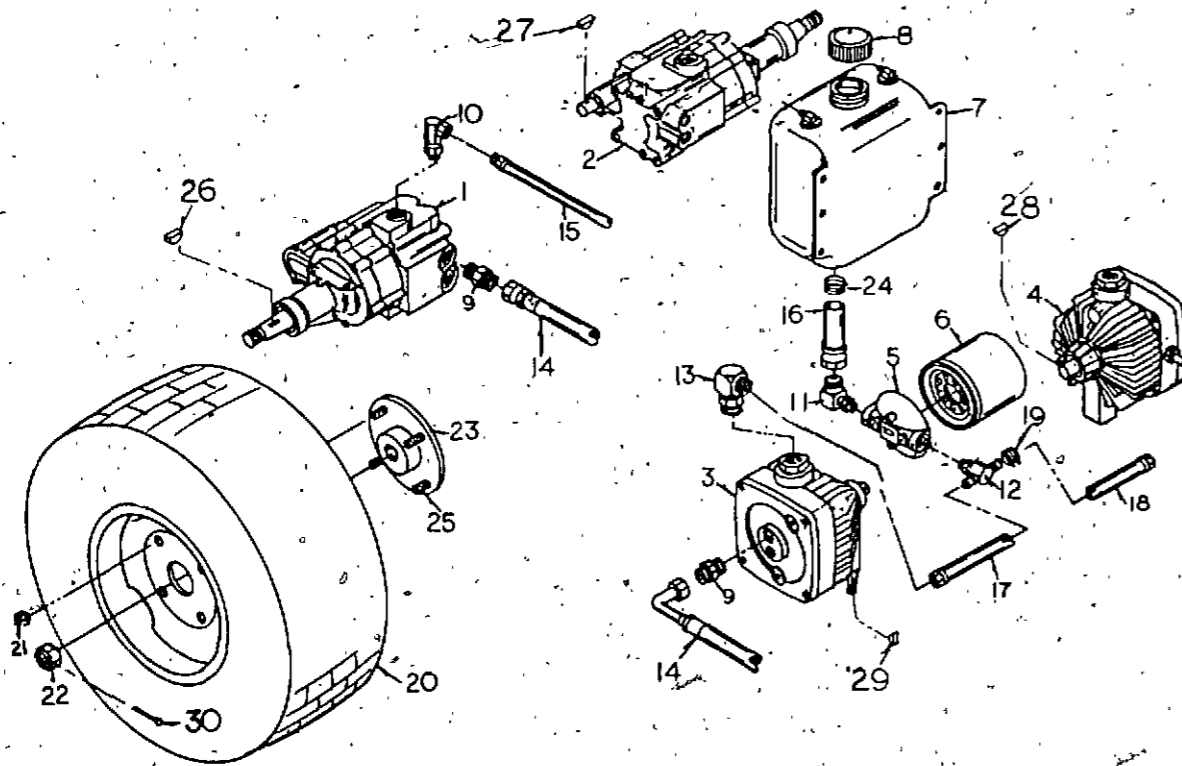
BRAKE ASSEMBLY
1800SS, 1800KSS



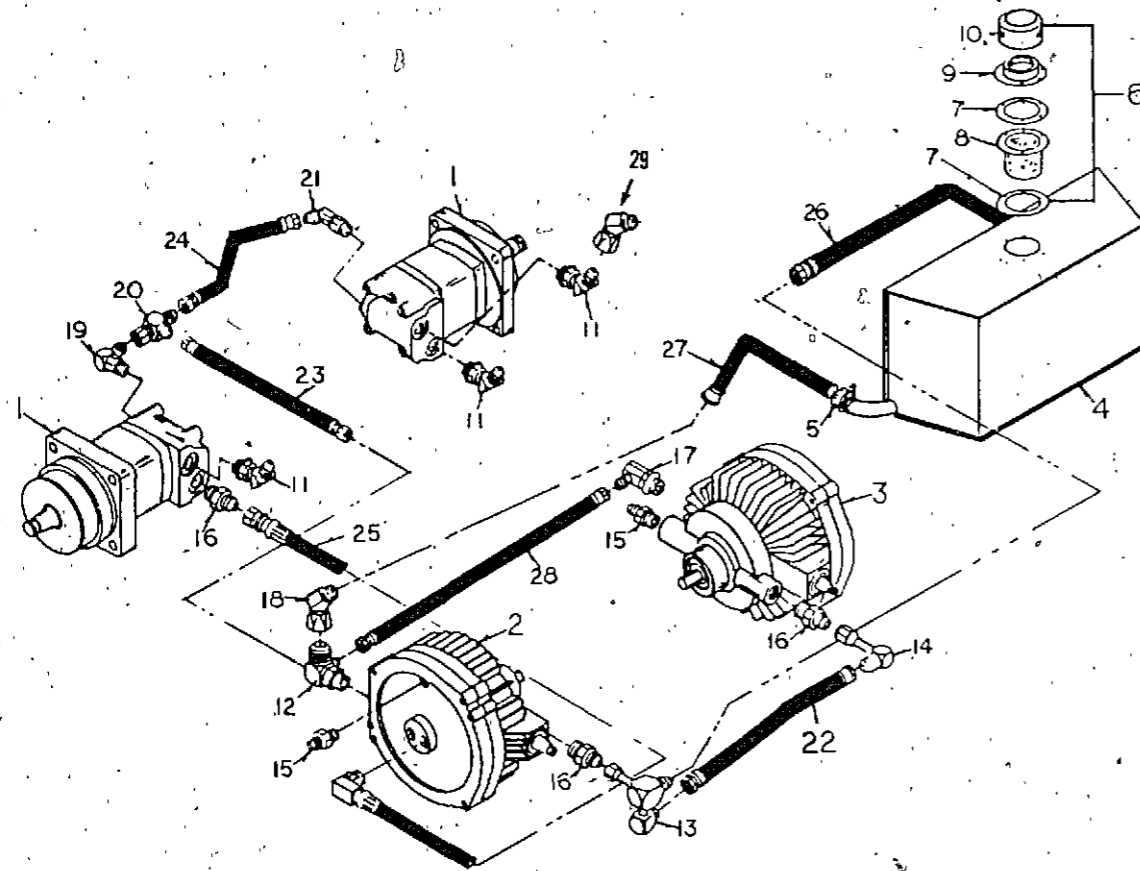
1	C 37719	MOUNT - brake	1
2	C 37720	ROD - cross	1
3	C 37721	ROD - handle	1
4	C 37578	PIN - cross bar	1
5	C 37722	ROD - linkage	1
6	C 37723	ROD - caliper	2
7	C 37724	COLLER - rod	2
8	C 37725	SPRING - caliper	2
9	C 37726	DISC - brake	2
10	C 37625	BRAKE CALIPER - R.H.	1
10	C 37626	BRAKE CALIPER - L.H.	1
11	C 37627	PUCKS - brake	2
12	C 37604	LEVER - brake	1
13	C 37631	GRIP - lever	1
14	C 37630	TAB - lever stop	1
15	C 37728	MOUNT - switch	1
16	C 37521	SAFETY SWITCH	1

WHEEL MOTOR & PUMP ASSEMBLY
(1800SS, 1800KSS)

REF.	PART NO.	DESCRIPTION	REQ'D
1	C 37632	WHEEL MOTOR - L.H.	1
2	C 37633	WHEEL MOTOR - R.H.	1
3	C 37634	MODEL 7 PUMP - L.H.	1
4	C 37635	MODEL 7 PUMP - R.H.	1
5	C 37636	HOUSING - Oil Filter	1
6	C 37637	ELEMENT - Oil Filter	1
7	C 37638	TANK - oil, 3 qt.	1
8	C 37639	CAP - Oil Tank	1
9	C 37640	FITTING - male tube, Male O-ring Adp.	8
10	C 37641	FITTING - male tube, 90° Female Pipe Swivel Adp.	2
11	C 37642	FITTING - male o-ring, 90° Male Tube Adp.	1
12	C 37643	FITTING - male o-ring, 1/2" Hose Barb Tee	1
13	C 37644	FITTING - male o-ring, 90° Male Tube Adp.	2
14	C 37645	HOSE - 1/2" ID x 28" Long	4
15	C 37646	HOSE - 1/4" ID x 24" Long, Easy Couple	2
16	C 37647	HOSE - 5/8" ID x 3-3/4" Long, Easy Couple	1
17	C 37648	HOSE - 1/2" ID x 7-3/4" Long, Easy Couple	1
18	C 37649	HOSE - 1/2" ID x 12" Long, Easy Couple	1
19	C 37650	HOSE CLAMP - 1/2"	2
20	C 37651	WHEEL ASS'Y - 18 x 9.50-8	2
	C 37652	TIRE - 18 x 9.50-8	-
	C 37653	RIM - 8" x 7"	-
20	C 37654	WHEEL ASS'Y - 18 x 6.50-8 (Use with 42" deck)	2
	C 37655	TIRE - 18 x 6.50-8	-
	C 37656	RIM - 8 x 5-1/2"	-
21	C 37657	LUG NUT, 1/2-20	8
22	C 37658	NUT - Wheel Motor	2
23	C 37659	HUB - wheel, 4 bolt	2
24	C 37660	HOSE CLAMP - 5/8"	1
25	C 37661	LUG BOLT - 1/2-20 x 1-1/4"	8
26	C 39438	WOODRUFF KEY - 1/4" x 1"	2
27	C 37663	WOODRUFF KEY - 3/16" x 3/4"	2
28	C 37664	WOODRUFF KEY - 1/8" x 1/2"	2
29	C 37665	WOODRUFF KEY - 1/8" x 3/8"	2
30	C 37666	COTTER PIN - 1/8" x 1-3/4"	2



**WHEEL MOTOR & PUMP ASSEMBLY
2000**

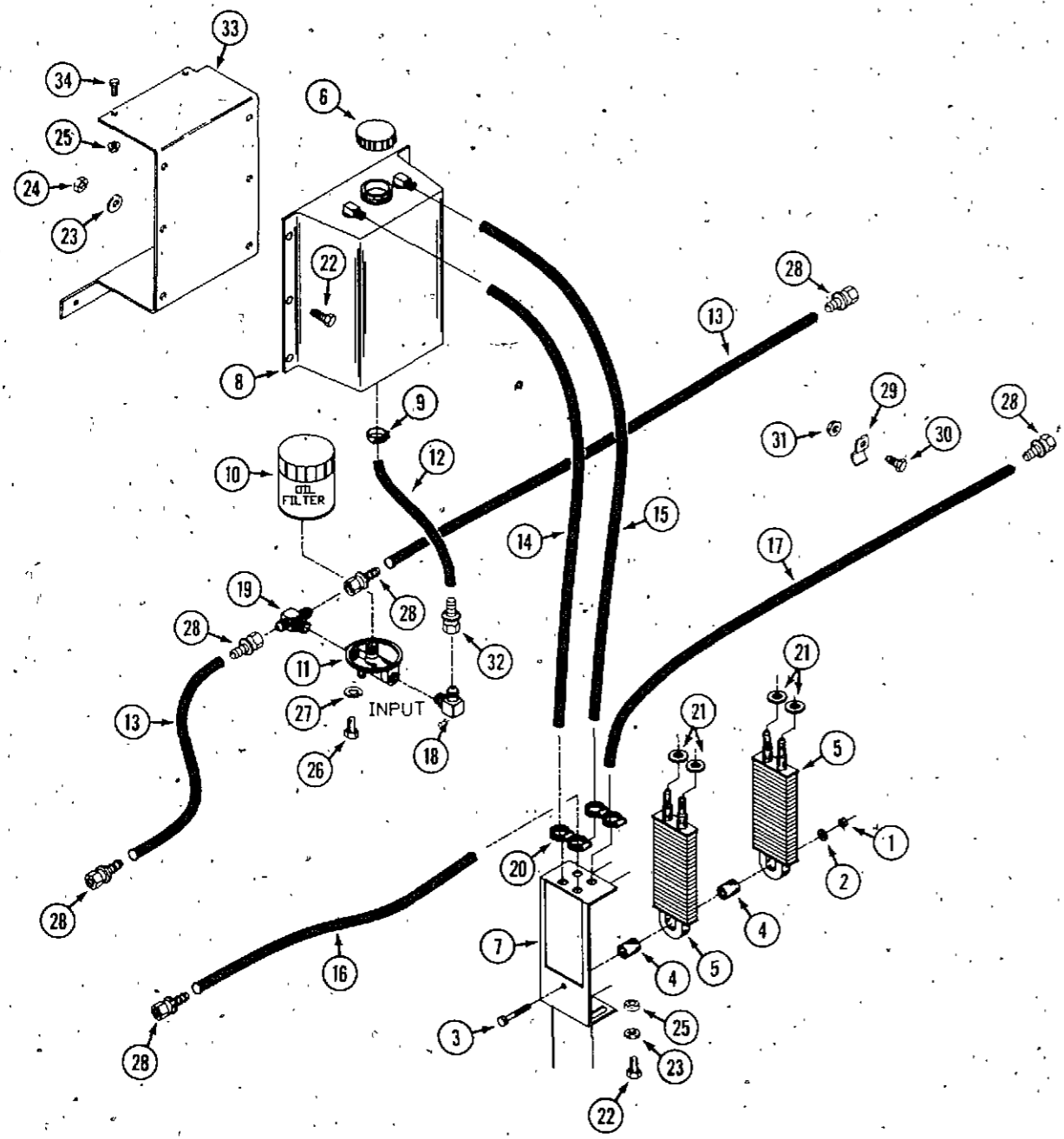


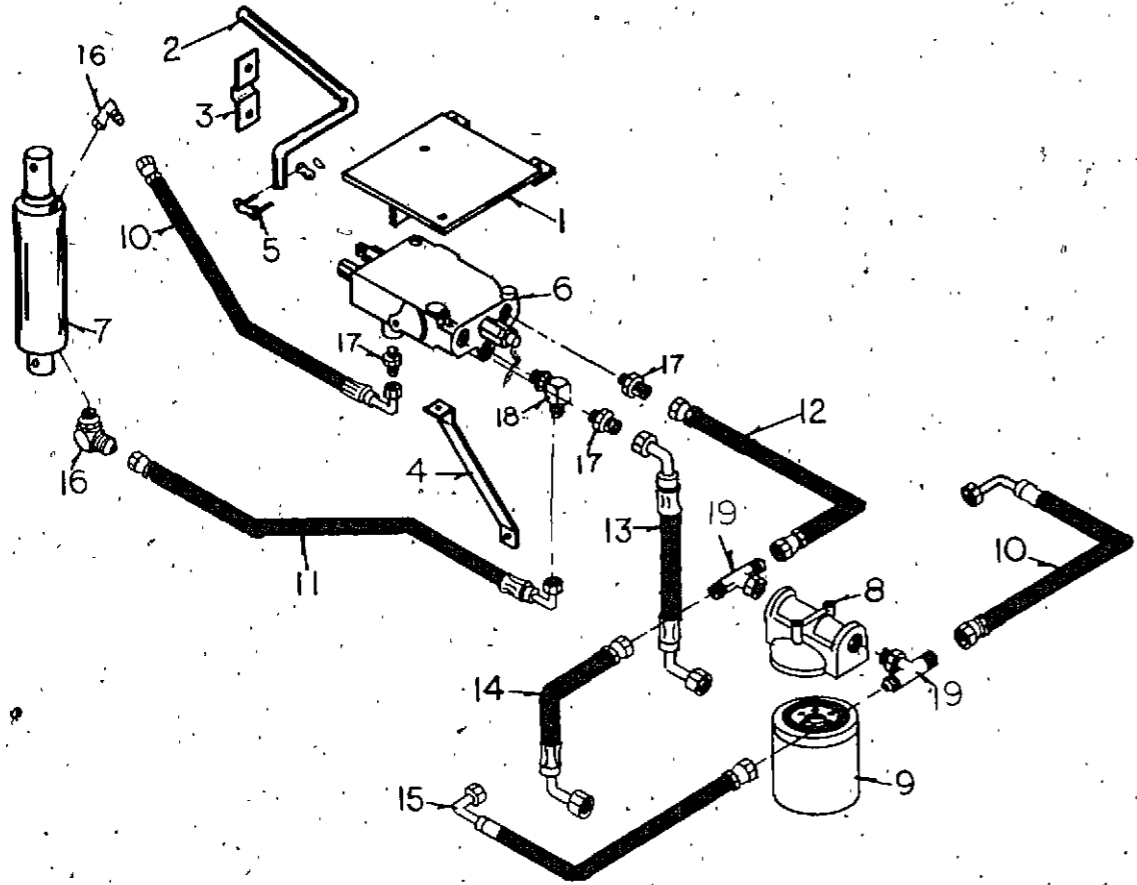
REF.	PART NO.	DESCRIPTION	REQ'D
1	C 37667	WHEEL MOTOR	2
2	C 37668	PUMP - L.H. CW (Eaton No. 1120-004)	1
2	C 44376	PUMP - L.H. CW (Eaton No. 1120-016)	1
3	C 37669	PUMP - R.H. CCW (Eaton No. 1120-005)	1
3	C 44375	PUMP - R.H. CCW (Eaton No. 1120-017)	1
4	C 37670	HYDRAULIC OIL TANK	1
5	C 37671	HOSE CLAMP	2
6	C 37672	HYDRAULIC FILL CAP ASSEMBLY	1
7	C 37673	GASKET	-
8	C 37674	STRAINER	-
9	C 37675	FILL NECK	-
10	C 38310	BREATHER CAP	-
11	218-5146	FITTING - male tube, 45° male o-ring adapter	3
12	C 37678	FITTING - special cross	1
13	C 37679	SPECIAL ADAPTER	1
14	C 37680	FITTING - male tube, 90° female swivel adapter	1
15	218-5057	FITTING - male tube, male o-ring adapter	4
16	218-5060	FITTING - male tube, male o-ring adapter	3
17	218-5121	FITTING - male tube, 90° male o-ring adapter	1
18	218-5175	FITTING - male tube, 45° female swivel adapter	1
19	218-5103	FITTING - male tube, 90° male o-ring adapter	1
20	218-5478	FITTING - male tube, female swivel tee	1
21	C 37686	FITTING - male tube, 45° female swivel adapter	1
22	C 37687	HOSE - 1/2" ID x 18" long, easy couple	1
23	C 37688	HOSE - 1/4" ID x 14" long, easy couple	1
24	C 37689	HOSE - 1/4" ID x 20" long, easy couple	1
25	C 37690*	HOSE - 1/2" ID x 36 1/2" long (3/4" threads at pump)	4
25	C 44465**	HOSE - 1/2" ID x 36-1/2" (7/8" thread at pump)	4
26	C 37691	HOSE - 3/4" ID x 22" long, easy couple	1
27	C 37692	HOSE - 3/4" ID x 18" long, easy couple	1
28	C 37693	HOSE - 1/2" ID x 20" long, easy couple	1
29	218-5173	FITTING - 45° 3/4" - 16 x 3/4" - 16	1

* Use with pumps, Eaton No. 1120-004 and 1120-005
 ** Use with pumps, Eaton No. 1120-016 and 1120-017

HYDRAULIC SYSTEM
(1890, 1890K, 1890V)

REF.	PART NO.	DESCRIPTION	REQ'D
1	131- 69	NUT - lock 5/16"	1
2	195- 103	WASHER - 5/16"	1
3	113- 119	BOLT - 5/16" - 18 x 2-3/4"	1
4	C 45495	BUSHING - rubber	2
5	C 37769	COOLER - oil	2
6	C 37639	CAP - oil tank	1
7	C 37772	MOUNT - oil cooler	1
8	C 37778	TANK - oil	1
9	214- 254	CLAMP - hose 5/8"	2
10	C 37637	FILTER - oil	1
11	C 37636	HEAD - oil filter	1
12	C 42785	HOSE - 5/8" x 11" (12" cut to length)	1
13	C 42784	HOSE - hydraulic 3/8" x 13" (48" cut to length)	1
14	C 42784	HOSE - hydraulic 3/8" x 25" (48" cut to length)	1
15	C 42784	HOSE - hydraulic 3/8" x 27" (48" cut to length)	1
16	C 42784	HOSE - hydraulic 3/8" x 38" (48" cut to length)	1
17	C 42784	HOSE - hydraulic 3/8" x 24" (48" cut to length)	1
18	C 37642	FITTING - male 90° adapter	1
19	C 37785	FITTING - male tee adapter	1
20	214- 274	CLAMP - hose 3/8"	4
21	C 37787	GROMMET - 1/2" ID x 1" OD	4
22	113- 3	BOLT - 1/4" - 20 x 3/4"	6
23	195- 102	WASHER - 1/4"	8
24	131- 1102	NUT - 1/4" - 20 lock	4
25	131- 934	NUT - 1/4" - 20 flange lock	2
26	C 41931	BOLT - 1/4" - 20 x 3/4" self-tap	2
27	192- 19	LOCKWASHER - 1/4"	2
28	C 41986	FITTING - 3/8" hose barb x 3/8" FM JIC	6
29	C 32455	CLIP - "J"	1
30	113- 102	BOLT - 5/16" x 18 x 3/4"	1
31	131- 911	NUT - 5/16" - 18 flange lock	1
32	C 38794	FITTING - 5/8" hose barb x 1/2" FM JIC	1
33	C 37807	MOUNT - oil tank	1
34	113- 1	BOLT - 1/4" - 20 x 1/2"	4
35	C 42590	FITTING - 90°	2

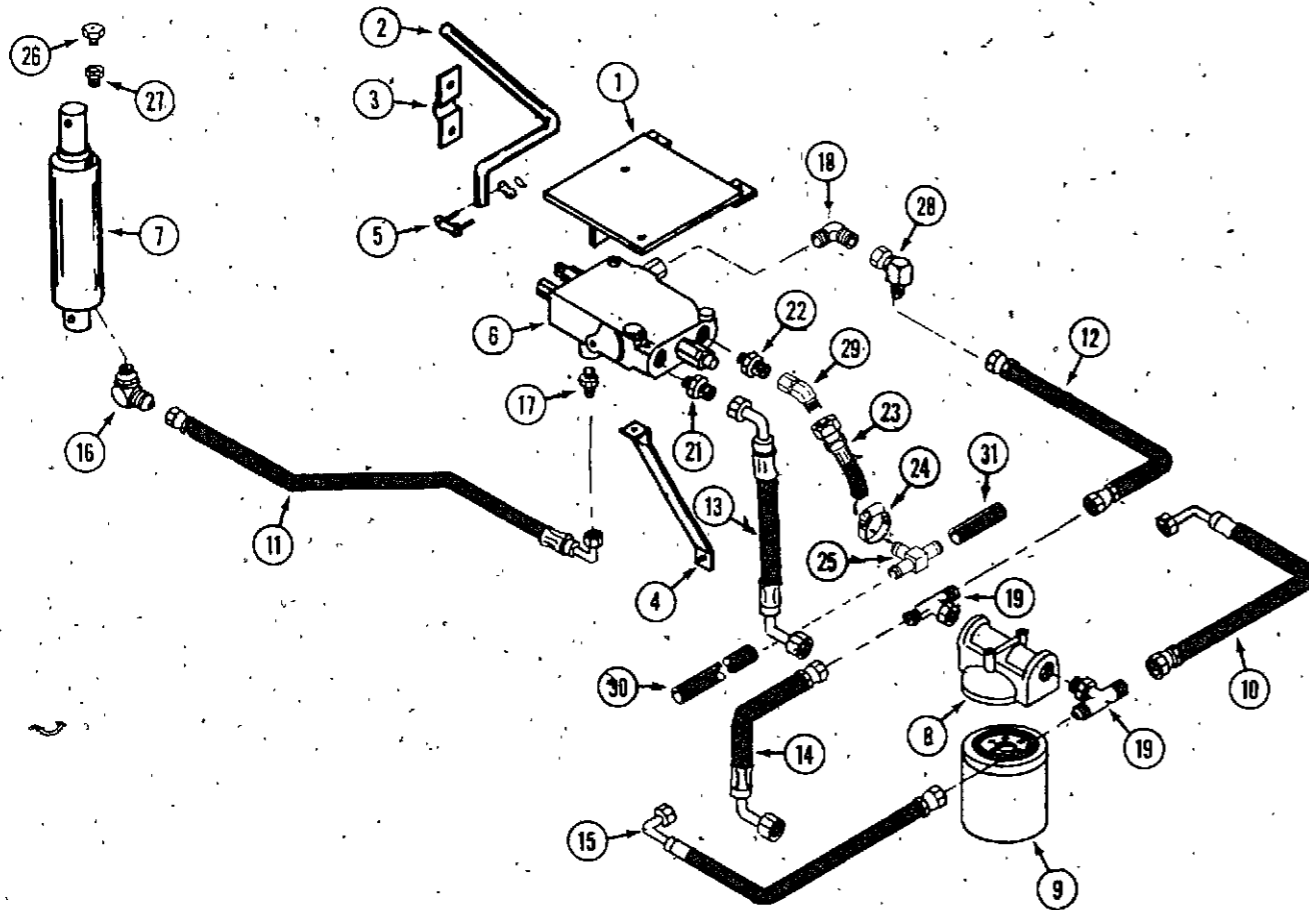




HYDRAULIC LIFT ASSEMBLY (2000)
 (original equipment with dual acting lift cylinder)
 (Also see below)

REF.	PART NO.	DESCRIPTION	REQ'D
1	C 37788	MOUNT - valve	1
2	C 37789	VALVE LEVER	1
3	C 37607	BEARING - clutch brake cross rod	1
4	C 37790	SUPPORT - valve	1
5	C 37791	CONNECTING LINK - #50	1
6	C 37792	VALVE	1
7	C 37793	LIFT CYLINDER	1
8	C 37636	HOUSING - oil filter	1
9	C 37637	ELEMENT - oil filter	1
10	C 37794	HOSE - 3/8" ID x 26" long	2
11	C 37795	HOSE - 3/8" ID x 31" long	1
12	C 37796	HOSE - 3/8" ID x 20" long	1
13	C 37797	HOSE - 3/8" ID x 13" long	1
14	C 37798	HOSE - 3/8" ID x 11.5" long	1
15	C 37799	HOSE - 3/8" ID x 21" long	1
16	C 37755	FITTING - male o-ring, 90° male tube adp.	2
17	C 37681	FITTING - male o-ring, male tube adp.	3
18	C 37800	FITTING - male o-ring, 90° male tube adp.	1
19	C 37785	FITTING - male tube, male o-ring tee	2

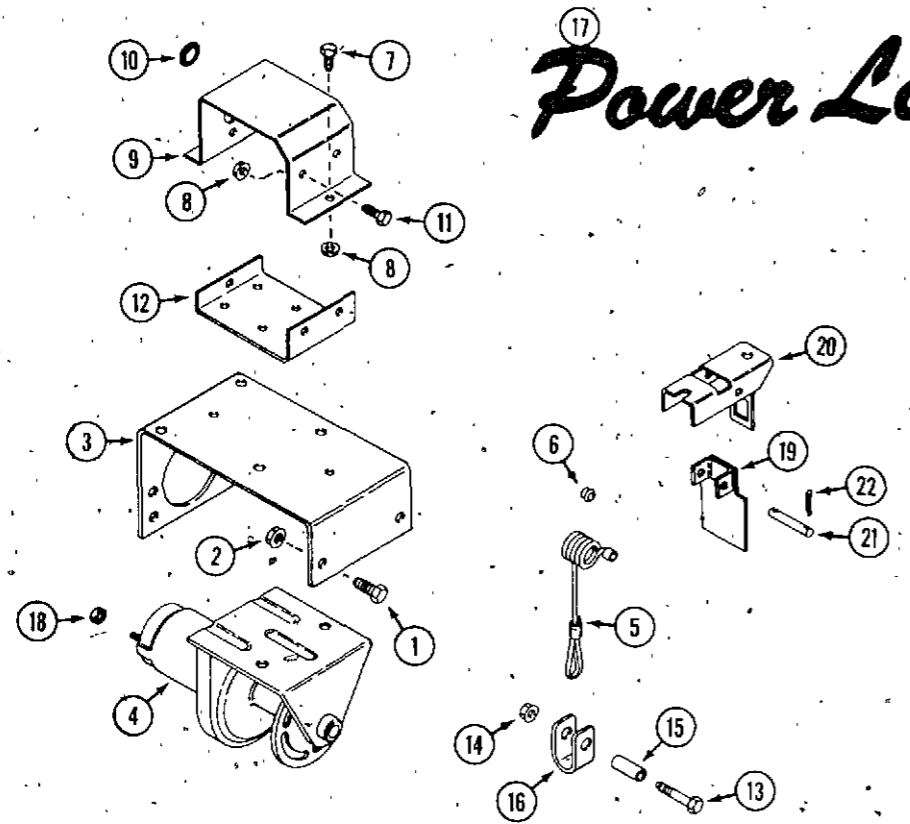
HYDRAULIC LIFT ASSEMBLY (2000)
 (with single acting lift cylinder)



REF.	PART NO.	DESCRIPTION	REQ'D
1	C 37788	MOUNT - valve	1
2	C 37789	LEVER - actuator	1
3	C 37607	BEARING	1
4	C 37790	SUPPORT - valve	1
5	C 37791	CONNECTING LINK - #50	1
6	C 42937	VALVE - lift	1
7	C 44030	CYLINDER - lift	1
8	C 37636	HOUSING - oil filter	1
9	C 37637	ELEMENT - oil filter	1
10	C 37794	HOSE - 3/8" ID x 26" long	2
11	C 37795	HOSE - 3/8" ID x 31" long	1
12	C 37796	HOSE - 3/8" ID x 20" long	1
13	C 37797	HOSE - 3/8" ID x 13" long	1
14	C 37798	HOSE - 3/8" ID x 11.5" long	1
15	C 37799	HOSE - 3/8" ID x 21" long	1
16	218-5278	FITTING - 90° male tube adp.	2
17	218-5057	FITTING - straight	3
18	218-5128	FITTING - tee	1
19	218-5182	FITTING - tee	1
20	218-5105	FITTING - straight	1
21	218-5058	FITTING - straight	1
22	218-5059	FITTING - straight	1
23	C 44636	HOSE - 1/2"	1
24	C 37671	CLAMP - hose	3
25	C 44193	FITTING - tee	1
26	C 42935	BREATHER	1
27	C 42936	FITTING - adaptor (if required)	1
28	218-980	FITTING - 90°	1
29	218-5173	FITTING - 45° swivel	1
30	C 44506	HOSE - 1/2" x 10" to L.H. Pump	1
31	C 44508	HOSE - 1/2" x 4-1/2" to R.H. Pump	1

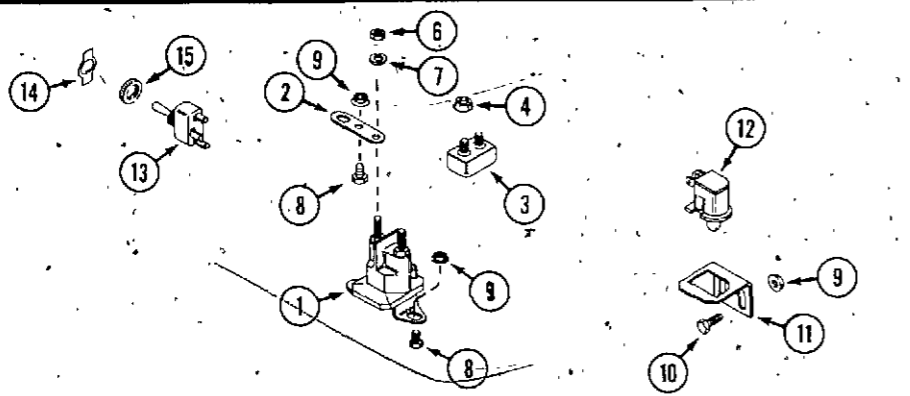
ELECTRIC DECK LIFT
 (1890, 1890K, 1890V - Optional)
WINCH

Power Lift

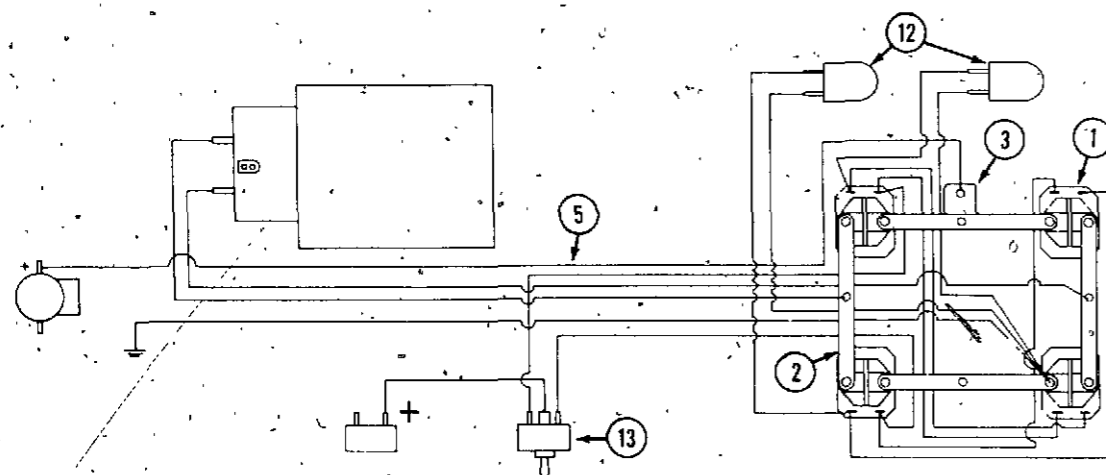


REF.	PART NO.	DESCRIPTION	REQ'D
1	113- 207	BOLT - 3/8" - 16 x 1"	6
1	C 44489	SCREW - 3/8" - 16 x 1" socket head	2
2	131- 938	NUT - 3/8" - 16 flange lock	8
3	C 43967	MOUNT - winch	1
4	C 43958	WINCH - deck lift	1
5	C 43375	CABLE	1
6	C 43992	PIN - cable keeper	1
7	113- 3	BOLT - 1/4" - 20 x 3/4"	2
8	131- 934	NUT - 1/4" - 20 flange lock	5
9	C 43962	COVER - solenoid	1
10	C 43964	GROMMET - 1" x 7/8"	1
11	113- 1	BOLT - 1/4" - 20 x 1/2"	3
12	C 43963	MOUNT - solenoid	1
13	113- 219	BOLT - 3/8" - 16 x 2"	1
14	131- 1352	NUT - 3/8" - 16 lock	1
15	C 43961	SPACER	1
16	C 43960	STRAP - lift	1
17	C 43412	DECAL - "Power Lift"	1
18	193- 1000	NUT - #10 - 32	2
19	C 44361	ARM - trip	1
20	C 44364	MOUNT - trip arm	1
21	C 44367	PIN - pivot	1
22	132- 6	PIN - cotter 1/16" x 5/8"	2

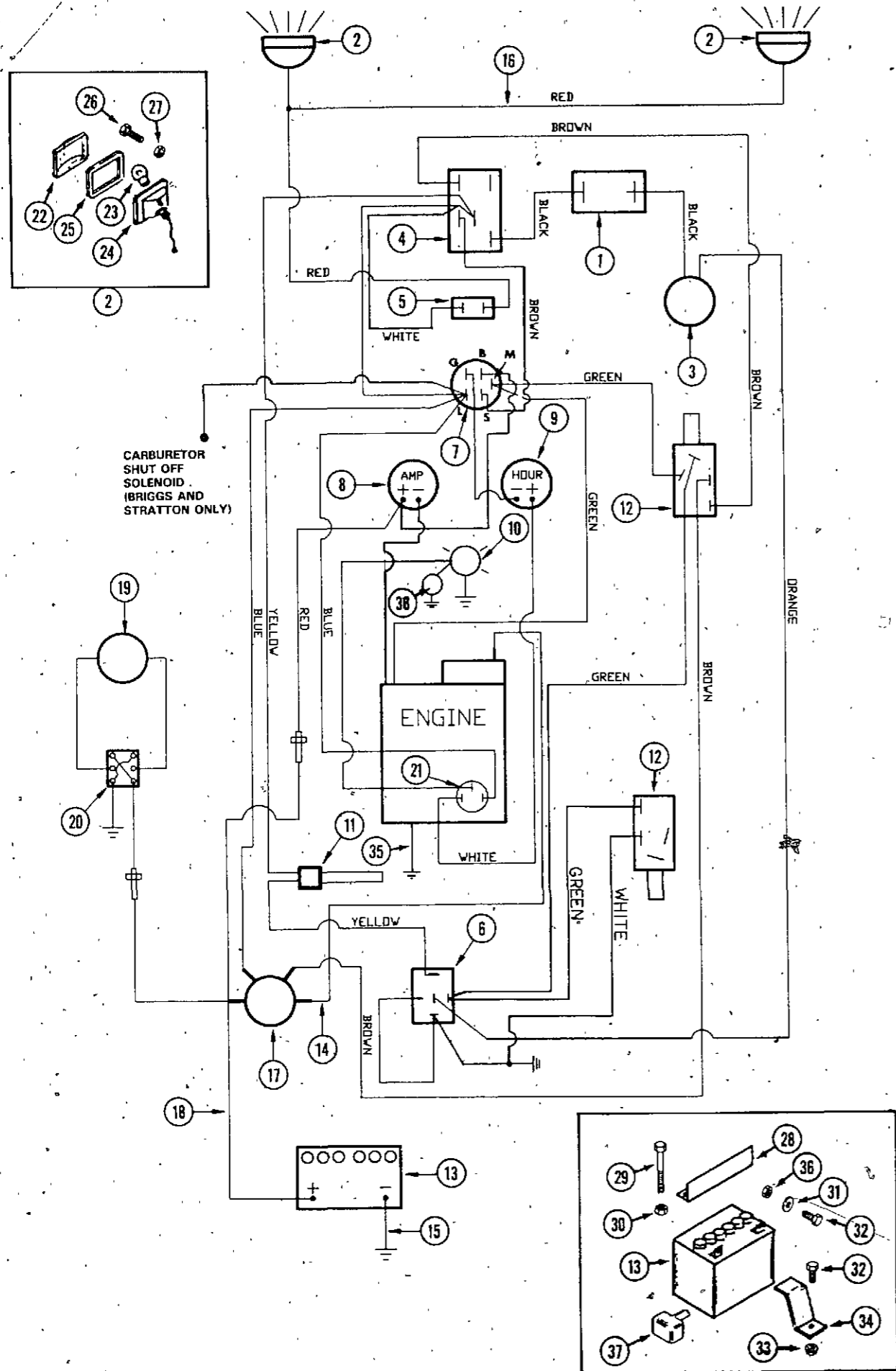
ELECTRICAL ASSEMBLY



1	C 33024	SOLENOID - 12V	4
2	C 43966	STRAP	4
3	C 43983	BREAKER - 40 amp, 12V	1
4	193- 1000	NUT - #10 - 32	2
5	C 43969	HARNESS - wire	1
6	129- 101	NUT - 1/4" - 20	8
7	192- 19	LOCKWASHER - 1/4"	8
8	113- 1	BOLT - 1/4" - 20 x 1/2"	8
9	131- 934	NUT - 1/4" - 20 flange	10
10	113- 3	BOLT - 1/4" - 20 x 3/4"	2
11	C 43965	BRACKET - switch	2
12	C 33744	SWITCH - limit	2
13	C 43985	SWITCH - lift	1
14	C 44495	DECAL - switch identification	1
15	C 44471	NUT - 15/32" - 32, switch	1

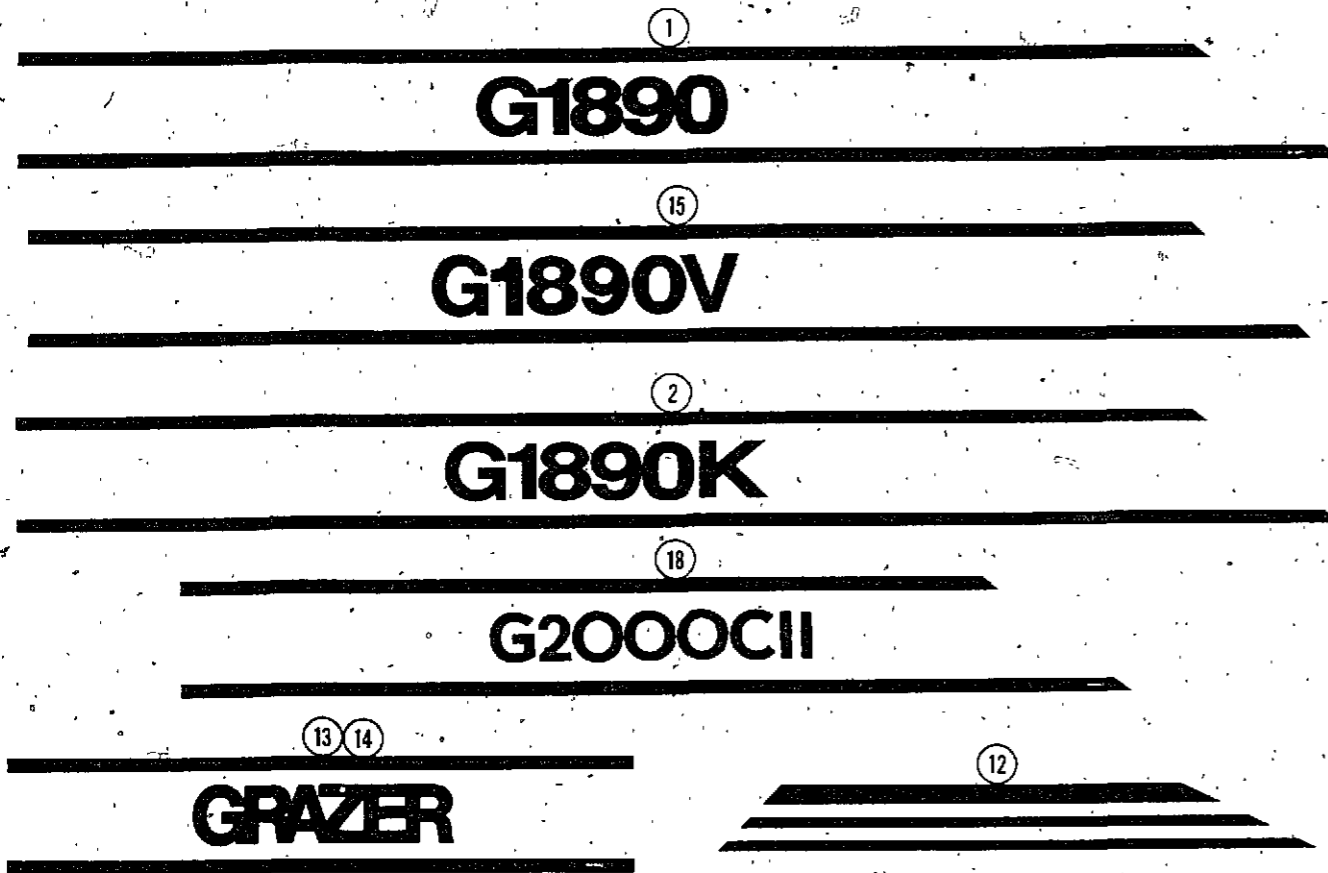


WIRING DIAGRAM



REF.	PART NO.	DESCRIPTION	REQ'D
	C 42241	HARNES - wire (2000)	1
	C 44265	HARNES - wire (1890V)	1
	C 37532	HARNES - wire (1800SS, 1800KSS, 1890, 1890K)	1
1	C 37505	BREAKER - circuit, 10 amp	1
2	NSS	HEADLIGHT - (use C32178 and C44075)	2
3	C 37511	CLUTCH - PTO, electric	1
4	C 31937	SWITCH - PTO	1
5	C 43044	SWITCH - headlight	1
6	C 37515	RELAY	1
	113- 3	BOLT - 1/4" - 20 x 3/4" (relay mounting)	1
	192- 19	LOCKWASHER - 1/4" (relay mounting)	1
	121- 101	NUT - 1/4" - 20 (relay mounting)	1
7	C 24145	SWITCH - ignition	1
	C 32407	KEY - ignition	2
	C 32397	CAP - nut	1
	193- 63	LOCKWASHER - 5/8"	1
	C 32396	NUT - 5/8" - 32	1
8	C 37517	AMMETER	1
9	C 37518	METER - hour	1
10	C 37519	LIGHT - oil	1
11	C 37520	SWITCH - seat	1
12	C 37521	SWITCH - safety (enlarge mounting hole if required)	2
13	C 41010	BATTERY - 12 volt	1
14	C 37523	WIRE - starter (1890, 1890K, 1800SS, 1800KSS)	1
14	C 38840	WIRE - starter (2000)	1
14	C 44261	WIRE - starter (1890V)	1
15	C 37528	CABLE - ground	1
16	C 44075	WIRE - headlight	1
17	C 37526	SOLENOID - starting	1
	113- 3	BOLT - 1/4" - 20 x 3/4" (solenoid mounting)	2
	192- 19	LOCKWASHER - 1/4" (solenoid mounting)	2
	129- 101	NUT - 1/4" - 20 (solenoid mounting)	2
	192- 20	LOCKWASHER - 5/16" (solenoid studs)	2
	129- 102	NUT - 5/16" - 18 (solenoid studs)	2
	192- 18	LOCKWASHER - 3/16" (solenoid studs)	2
	129- 37	NUT - #10 - 32 (solenoid studs)	1
	129- 6	NUT - #8 - 32 (solenoid studs)	1
18	C 37523	WIRE - battery positive to solenoid	1
19	C 37529	ACTUATOR - electric lift (early production) (also see page 59)	1
20	C 37530	SWITCH - deck lift (early production) (also see page 59)	1
21	C 37531	SWITCH - oil light	1
22	C 22573	LENS - headlight	2
23	C 37508	BULB - headlight	2
24	C 37509	RECEPTICAL - headlight	2
25	C 14304	GASKET - headlight	2
26	113- 4	BOLT - 1/4" - 20 x 1"	2
27	129- 101	NUT - 1/4" - 20	2
28	C 37835	BRACKET - battery hold down (2000)	1
28	C 37983	BRACKET - battery hold down (1800SS, 1800KSS, 1890, 1890K, 1890V)	1
29	C 38677	BOLT - 1/4" - 20 x 7"	2
30	131- 71	NUT - 1/4" - 20 lock	4
31	195- 102	WASHER - 1/4"	3
32	113- 3	BOLT - 1/4" - 20 x 3/4"	3
33	131- 934	NUT - 1/4" - 20 flange lock	1
34	C 37809	PROTECTOR - battery post (early production)	1
35	C 41643	WIRE - engine ground	1
36	129- 101	NUT - 1/4" - 20	2
37	C 24069	COVER - terminal	1
38	C 43048	HORN - warning (1890V)	1

DECALS (TRACTOR)



REF.	PART NO.	DESCRIPTION	REQ'D
1	C 44062	DECAL - body side "G1890" L.H.	1
1	C 44063	DECAL - body side "G1890" R.H. (shown)	1
2	C 44064	DECAL - body side "G1890K" L.H.	1
2	C 44065	DECAL - body side "G1890K" R.H. (shown)	1
3	C 37501	DECAL - instrument panel	1
4	C 38047	MEDALLION - "GRAZER"	1
5	C 37495	DECAL - operation	1
6	C 37496	DECAL - caution interlock	1
7	C 37502	DECAL - unlock/lock	1
8	C 37498	DECAL - run/park (1800C)	1
9	C 37500	DECAL - "danger" carbon monoxide	1
10	C 38807	DECAL - lubrication	1
11	C 37504	DECAL - clean cooler	1
12	C 43417	DECAL - fender skirt L.H.	1
12	C 43418	DECAL - fender skirt R.H. (shown)	1
13	C 43413	DECAL - front "GRAZER"	1
14	C 43416	DECAL - tail side "GRAZER"	2
15	C 43993	DECAL - body side "G1890V" L.H.	1
15	C 43994	DECAL - body side "G1890V" R.H. (shown)	1
	C 38101	KIT - decal (1890) (includes ref. 1, 12, 13)	1
	C 38102	KIT - decal (1890K) (includes ref. 2, 12, 13)	1
	C 38099	KIT - decal (1800SS) not shown	1
	C 37512	KIT - decal (1800KSS) not shown	1
	C 38100	KIT - decal (2000) (includes ref. 12, 13, 14, 18)	1
18	C 44210	DECAL - R.H. body side "G2000CII" (shown)	1
18	C 44211	DECAL - body side "G2000CII" L.H.	1
19	C 44551	DECAL - "Fuel Only" (2000)	1
20	C 37499	DECAL - "Hydraulic Oil" (2000)	1
21	C 37503	DECAL - hydraulic valve (2000)	1
22	C 44340	DECAL - warning	1

