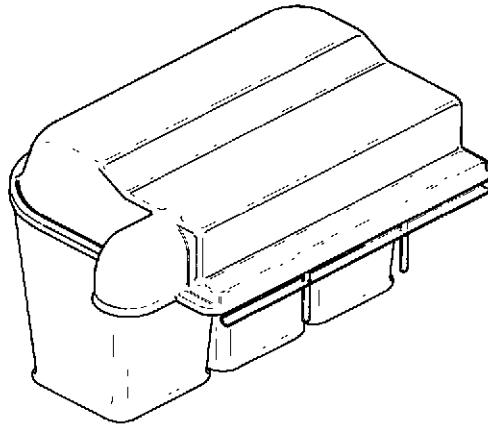


Ingersoll

HOME

ATTACHMENTS



**HYDRAULIC VACUUM
HVFB, HVFC, AHVFC, AHVFB
PARTS CATALOG 8-3082**

ALPHABETICAL INDEX

| | |
|--|----|
| Bags | 13 |
| Boot | 9 |
| Cover, Bags. | 13 |
| Cover, Cart | 11 |
| Decals | 19 |
| Ducts | 9 |
| Housing, Blower | 9 |
| Hydraulic System HVFB, HFVC | 5 |
| Hydraulic System AHVFB, AHVFC | 7 |
| Impellor HVFB, HFVC | 5 |
| Impellor AHVFB, AHVFC | 7 |
| Motor, Hydraulic HVFB, HFVC | 15 |
| Motor, Hydraulic AHVFB, AHVFC | 17 |
| Mounting Brackets..... | 5 |
| Side Panels, Cart | 11 |
| Support, Bags..... | 13 |

APPLICATION CHART

| TRACTOR | BLOWER | MOWER |
|---------------------------|---------------|--------------------|
| 3014, 3016, 3018 | HVFB, HVFC | * RM38, RM44, RM48 |
| 4014, 4016, 4018, 4020 | HVFB, HVFC | RM44, RM48 |
| 3118, 4116 4118, 4120 | AHVFB, AHVFC | AHRM48 |

* Will require narrow rear tires

Dump carts E, F, G60 or DC1000 can be used (Not with bagger)
See Whole goods Listing for proper PTO valve kit

MAIN

GENERAL INFORMATION

INDEX

INDEX

There is an index at the front of this catalog. The front index is an alphabetical index of the major groups or assemblies.

ILLUSTRATION

Each illustration in this catalog shows a group of parts or components. These parts and components are aligned approximately as the parts and components on your machine. Each part and component in an illustration has a reference number. These reference numbers are in a list on the page opposite of the illustration. Next to the reference number is the part number, description and required quantity of the part shown in the illustration.

UAR - "Use as required" indicates that the part quantity is variable.

NSS - "Not sold separately" indicates that the part is only available as component of an assembly or the part must be purchased locally. If the part is an assembly component, the description will be indented under the assembly description in the parts list.

O/L - "Obtain locally"

- "Footnotes" are added to a part number when more information is needed for identification. They only relate to the part numbers indicated. All orders must include the following information:

- 1. Correct part number.

PARTS ORDERS

- 2. Complete description of part or component.
- 3. Total quantity of each part or component.
- 4. Product model number.
- 5. All necessary product identification numbers
- 6. Method for sending the parts.
- 7. Complete and correct address.

CATALOG REVISIONS

As the product changes, new pages will be available for your catalog. A notice will be issued

IMPORTANT: Put all revisions into the catalog as soon as possible.

RIGHT HAND AND LEFT HAND IDENTIFICATION

The words right hand (RH) and left hand (LH) as used in this catalog indicate the direction while you are in the operator's seat in the normal operating position.

INDENTED DESCRIPTIONS

An assembly can have many components. The components of an assembly are indicated by an indented description. The quantity for an indented part is the total needed for that complete assembly. See the example.

| REF. | PART NO. | DESCRIPTION | REQ'D |
|------|----------|--------------------------------------|-------|
| | C 55159 | CYLINDER ASSY - rear steering | 1 |
| 28 | C 56208 | SOCKET ASSY - rear cylinder | 1 |
| 29 | C 55956 | PLUG - adjusting, socket assy | 1 |
| 30 | C 55957 | SEAT- socket, ball | 2 |
| 31 | C 56210 | SPRING-socket | 1 |
| 32 | C 56209 | SEAT - socket spring | 1 |
| 33 | G 45175 | CLAMP ASSY - socket assy | 1 |
| | 16- 836 | BOLT-1/2"x2-1/4" N.F. hex. | 1 |
| 34 | 132- 104 | PIN-cotter, 3/16"x3" | 1 |
| 35 | C 55889 | STUD - ball, socket & cylinder | 2 |
| 36 | 13- 410 | BOLT-1/4"x5/8"N.C.,hex | 4 |
| 37 | 92- 4 | LOCK WASHER - 1/4"SAE | 4 |

INDEX

PAINT AND OIL

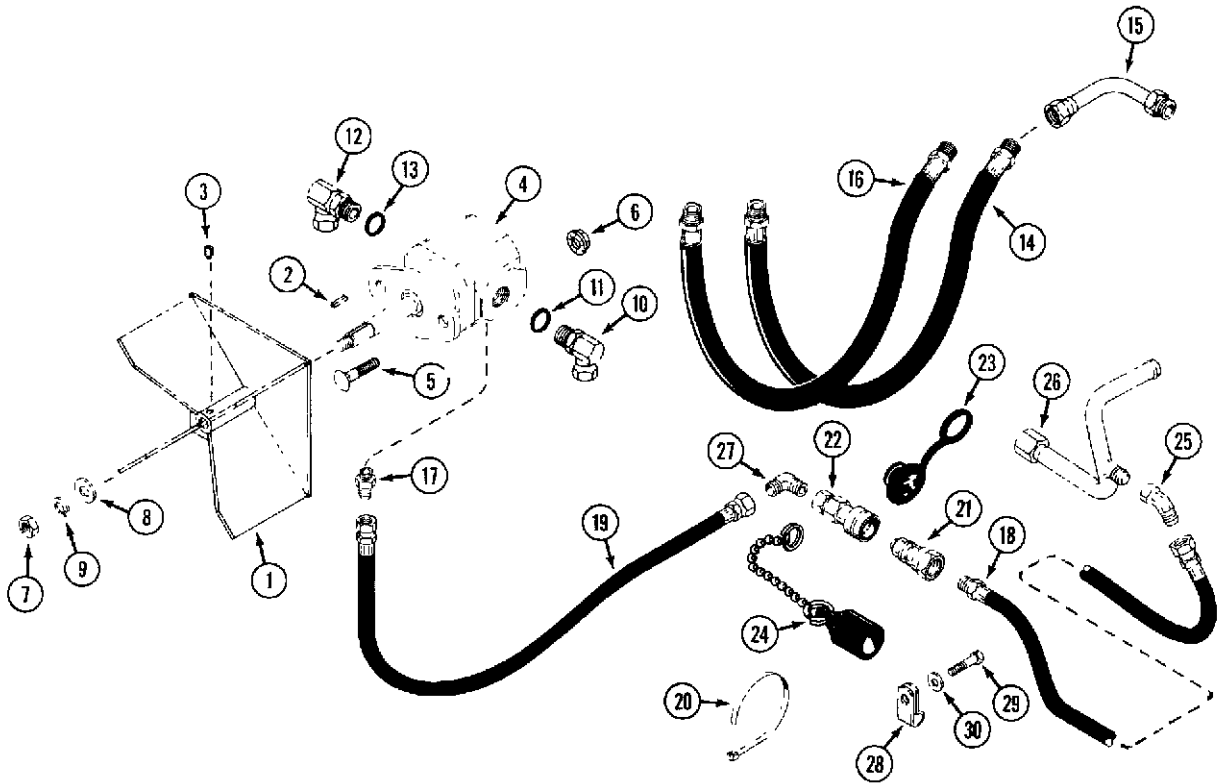
PAINT

| REF. | PART NO. | DESCRIPTION | REQ'D |
|------|----------|--|-------|
| 1 | C 28849 | BLACK - semi - gloss, 12 oz spray (2 per carton) | 1 |
| 2 | C 28850 | BLACK - semi - gloss, quart (2 per carton) | 1 |
| 3 | C 28850 | BLACK - semi - gloss, heat resistant, 12 oz spray (2 per carton) | 1 |
| 4 | C 28484 | POWER RED - gloss, 12 oz spray (2 per carton) | 1 |
| 5 | C 28485 | POWER RED - gloss, quart (2 per carton) | 1 |
| 6 | C 30870 | SILVER - gloss, 12 oz. spray (2 per carton) | 1 |
| 7 | C 31643 | POWER RED - gloss, 1 oz touch up, (1 doz. per carton) . | 1 |

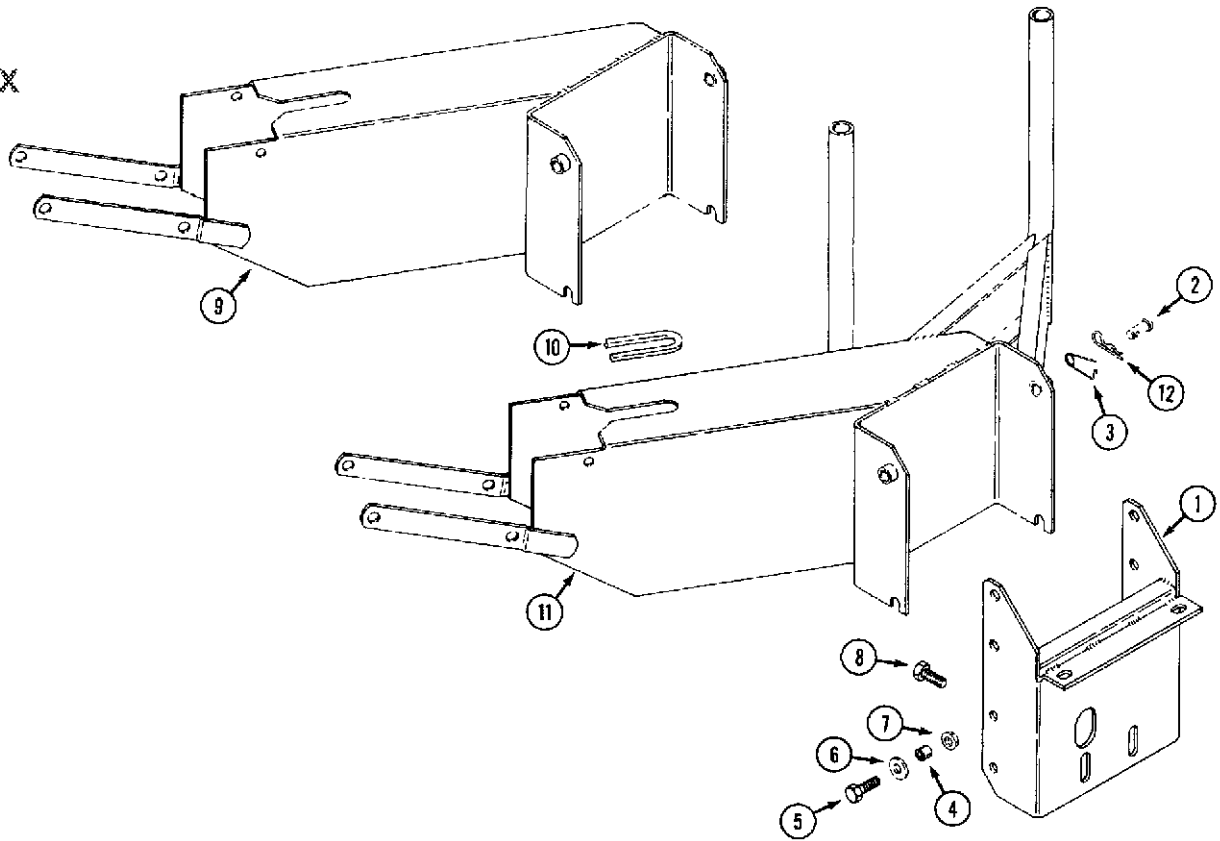
OIL

| | | | |
|---|---------|--|---|
| 1 | C 32776 | OIL - SAE 30, SF, quart (12 per case) | 1 |
| 2 | C 32777 | OIL - SAE 5W20, SF, quart (12 per case) . | 1 |
| 3 | C 32778 | OIL - SAE 20W40, SF, quart (12 per case) | 1 |

INDEX



INDEX



INDEX

AHVFC, AHVFB, HVFC AND HVFB HYDRAULIC VACUUMS

IMPELLOR AND HYDRAULIC MOTOR (HVFC, HVFB)

| REF. | PART NO. | DESCRIPTION | REQ'D |
|------|----------|--|-------|
| 1 | C28392 | IMPELLOR - blower | 1 |
| 2 | C28215 | KEY - 3/16" square x 5/8" impeller | 1 |
| 3 | 83-46 | SET SCREW - 1/4" - 20 | 2 |
| 4 | NSS* | MOTOR - hydraulic (use C33126 kit) (repairs page 15) | 1 |
| 4 | C33108** | MOTOR - hydraulic (repairs page 15) | 1 |
| 5 | 111-371 | BOLT - 3/8" - 16 x 1-1/4" carriage | 2 |
| 6 | 131-938 | NUT - 3/8" - 16 flange lock | 2 |
| 7 | 129-163 | NUT - 3/8" - 24 (torque to 20-25 ft. lb.) | 1 |
| 8 | 195-525 | WASHER - 3/8" | 1 |
| 9 | 192-21 | LOCKWASHER - 3/8" | 1 |
| 10 | 218-5203 | FITTING - 90° swivel 3/4" - 16 "O" ring x 1/2" pipe (inlet) | 1 |
| 11 | 218-5006 | "O" RING - fitting | 1 |
| 12 | 218-5201 | FITTING - 90° swivel 7/8" - 14 "O" ring x 1/2" pipe (outlet) | 1 |
| 13 | 218-5007 | "O" RING - fitting | 1 |
| 14 | C28320 | HOSE - hydraulic 42" | 1 |
| 15 | C29882 | TUBE - extension | 2 |
| 16 | C32347 | HOSE - hydraulic 44" | 1 |
| | C33126 | KIT - hydraulic motor with case drain | 1 |
| 17 | 218-5053 | FITTING - 7/16" -20 x 7/16" -20, 370 flare | 1 |
| 18 | C33113 | HOSE - return manifold to coupling | 1 |
| 18 | C33864 | HOSE - return manifold to travel valve | 1 |
| 19 | C33114 | HOSE - motor to coupling | 1 |
| 20 | C22947 | TIE - nylon | 3 |
| 21 | C27713 | COUPLING - male | 1 |
| 22 | C27714 | COUPLING - female | 1 |
| 23 | NSS | PLUG - dust (use C33404) | 1 |
| 24 | NSS | CAP - dust (use C33404) | 1 |
| 25 | 218-5172 | FITTING - 45° 9/16" - 18 x 9/16" - 18 | 1 |
| 26 | C33115 | TUBE - travel valve to heat exchanger | 1 |
| 27 | 218-483 | FITTING - 90° 9/16" flare x 1/4" - 18 NPTF | 1 |
| 28 | C33125 | CLAMP - hose | 1 |
| 29 | 113-132 | BOLT - 1/4" - 20 x 1-3/4" | 1 |
| 30 | 195-518 | WASHER - 1/4" | 1 |

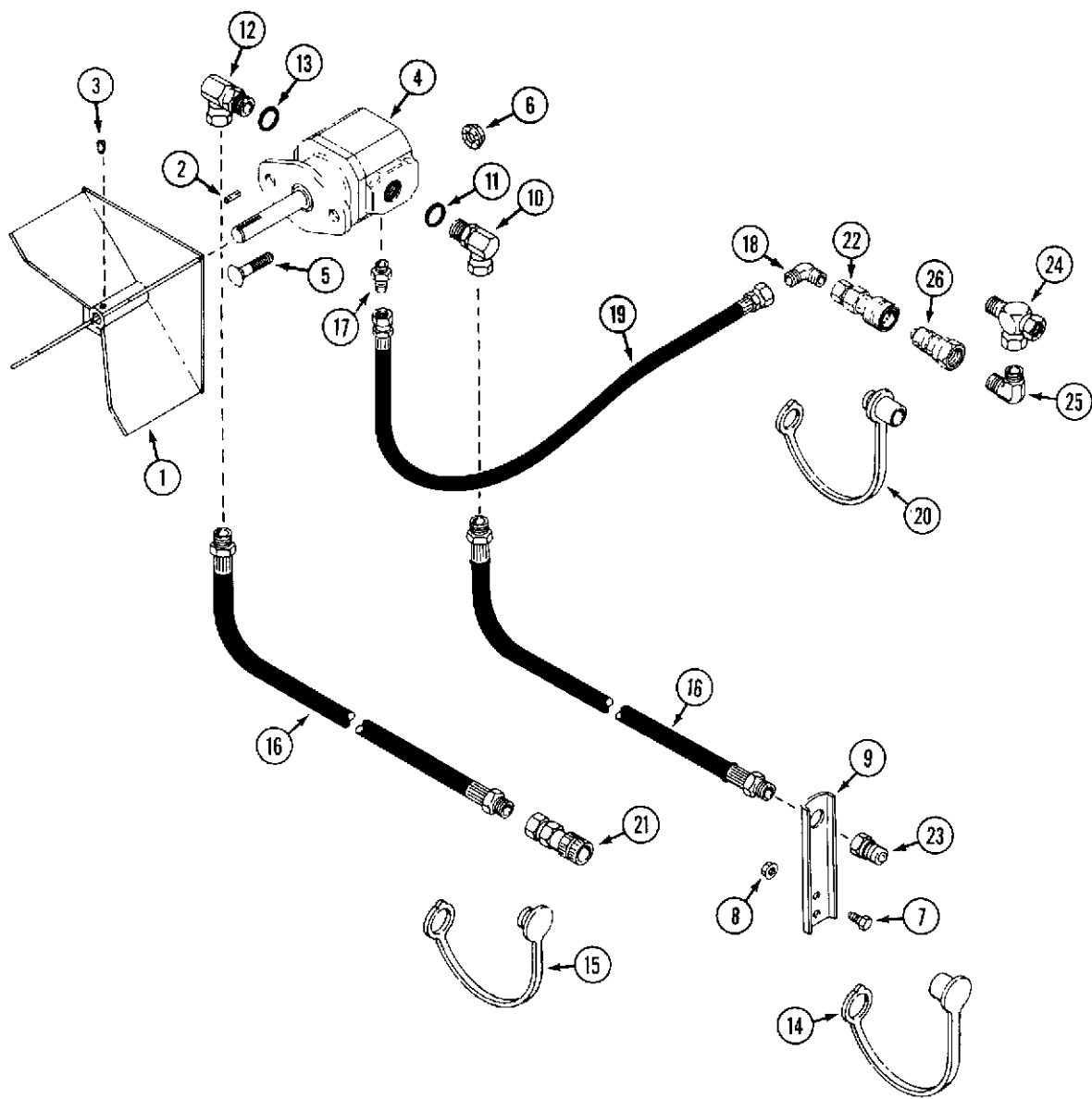
* Use before S/N:
 ** Use S/N and after
 HVFB - 016077
 HVFC - 016510

INDEX

ADAPTER AND MOUNTING BRACKET

| | | | |
|----|---------|---|-----|
| 1 | C29916 | BRACKET - tractor adapter | 1 |
| 2 | 141-56 | PIN - clevis 1/2" x 1-3/8" | 2 |
| 3 | C10898 | PIN - safety (HVFC, AHVFC) | 2 |
| 4 | C14768 | SPACER | 2 |
| 5 | 113-208 | BOLT - 3/8" - 16 x 1-1/4" | 2 |
| 6 | 195-525 | WASHER-3/8" | 2 |
| 7 | 131-938 | NUT - 3/8" - 16 flange | 2 |
| 8 | 113-417 | BOLT-1/2"-13 x 1-1/4" | 2 |
| 9 | C32335 | BRACKET - mounting (HVFC, AHVFC) | 2 |
| 10 | C33274 | TRIM - strip | UAR |
| 11 | C32349 | BRACKET - mounting (HVFB, AHVFB) | 1 |
| 12 | C29029 | PIN - cotter hair pin (HVFB, AHVFB) | 2 |

INDEX



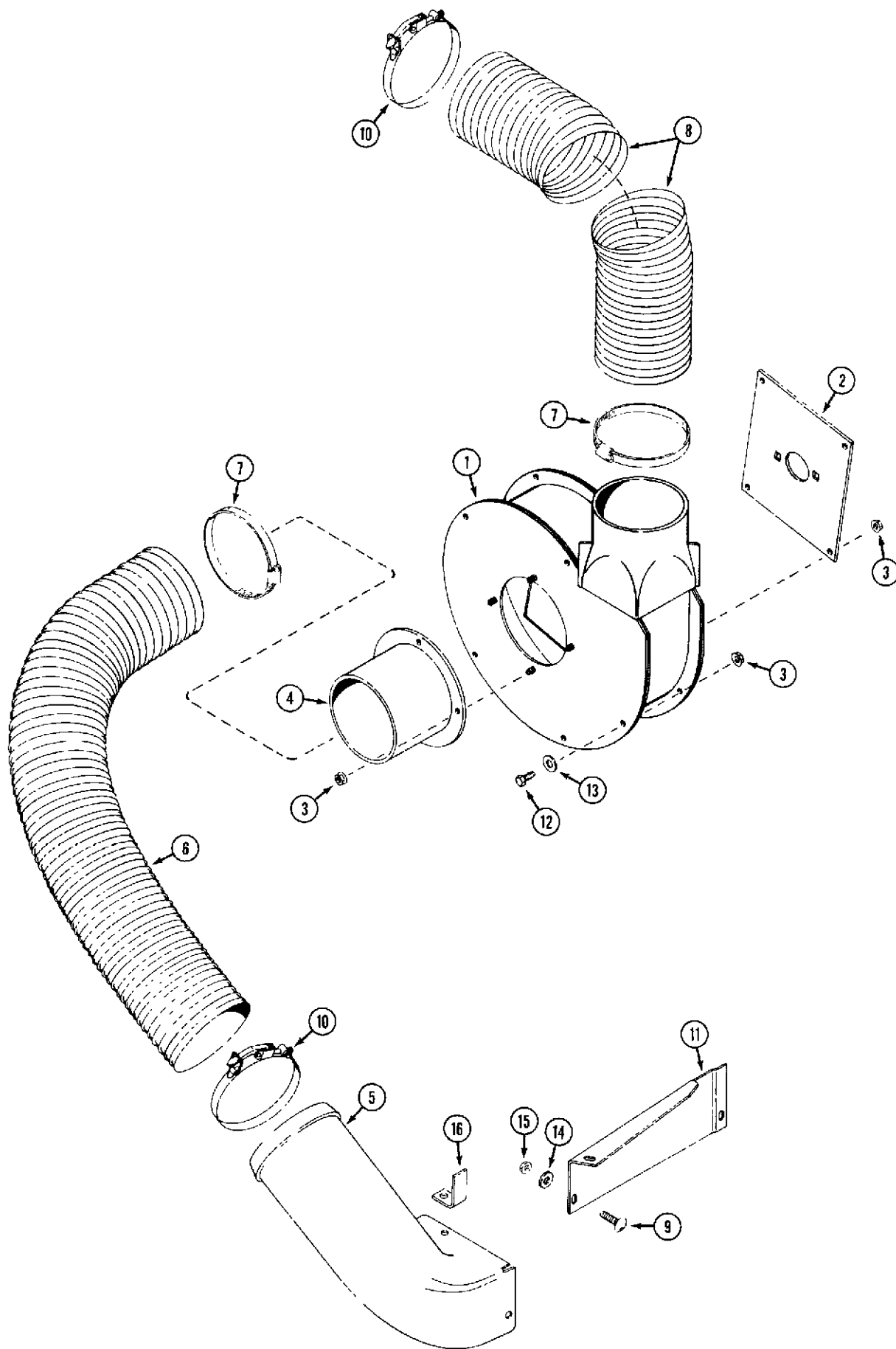
INDEX

AHVFC. AHVFB. HVFC AND HVFB HYDRAULIC VACUUMS

IMPELLOR AND HYDRAULIC MOTOR (AHVFC, AHVFB)

| REF. | PART NO. | DESCRIPTION | REQ'D |
|------|----------|--|-------|
| 1 | C42102 | IMPELLOR - blower | 1 |
| 2 | C43446 | KEY - 3/16" square x 1-1/4" | 1 |
| 3 | 61-46 | SCREW - 1/4" - 20 x 3/8" | 3 |
| 4 | C42099 | MOTOR - hydraulic (repairs page 17) | 1 |
| 5 | 111-371 | BOLT - 3/8" - 16 x 1-1/4" carriage | 2 |
| 6 | 131-938 | NUT - 3/8" - 16 flange lock | 2 |
| 7 | 113-118 | BOLT - 5/16" - 18 x 5/8" | 2 |
| 8 | 131-911 | NUT - 5/16" - 18 flange lock | 2 |
| 9 | C42139 | BRACKET - anchor | 1 |
| 10 | 218-5203 | FITTING - 90° swivel 3/4" - 16 "0" ring x 1/2" pipe (inlet) | 1 |
| 11 | 218-5007 | "0" RING | 1 |
| 12 | 218-5201 | FITTING - 90° swivel 7/8" - 14 "0" ring x 1/2" pipe (outlet) | 1 |
| 13 | 218-5007 | "0" RING | 1 |
| 14 | C40641 | CAP - dust | 1 |
| 15 | C40642 | PLUG - dust | 1 |
| 16 | C42138 | HOSE - hydraulic 44" | 2 |
| 17 | 218-5053 | FITTING - 7/16" - 20 x 7/16" - 20, 37° flare | 1 |
| 18 | 218-483 | FITTING - 90° elbow | 1 |
| 19 | C33114 | HOSE - case drain, motor to coupling 50" | 1 |
| 20 | C33404 | CAP/PLUG - dust | 2 |
| 21 | C37188 | COUPLING - female | 1 |
| 22 | C41044 | COUPLING - female, case drain | 1 |
| 23 | C37187 | COUPLING - male | 2 |
| 24 | 217-1062 | FITTING - tee | 1 |
| 25 | 217-1225 | FITTING - 90° elbow | 1 |
| 26 | C41043 | COUPLING - male, case drain | 1 |

INDEX



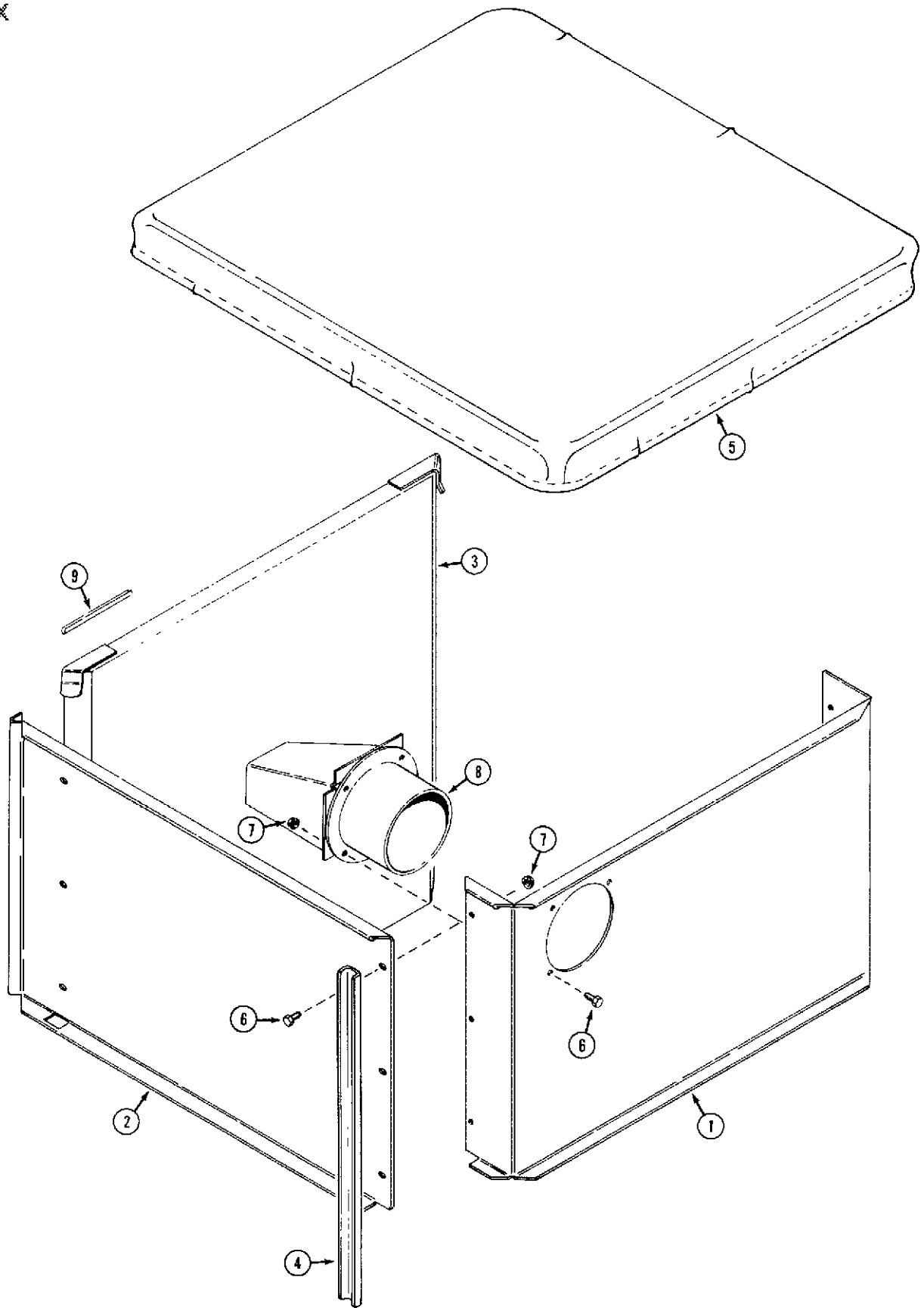
INDEX

AHVFC, AHVFB, HVFC AND HVFB HYDRAULIC VACUUMS

BLOWER HOUSING, DUCTS AND TUBES

| REF. | PART NO. | DESCRIPTION | REQ'D |
|------|----------|--------------------------------------|-------|
| 1 | C32334 | HOUSING - blower | 1 |
| 2 | C28396 | PLATE - motor mounting | 1 |
| 3 | 131-911 | NUT - 5/16" - 18 flange lock | 16 |
| 4 | C29890 | DUCT - blower inlet | 1 |
| 5 | C32341 | BOOT - mower | 1 |
| 6 | C30266 | TUBE - blower intake 45" to 48" | 1 |
| 7 | 214-277 | CLAMP - chute, worm drive | UAR |
| 8 | NSS | TUBE - blower discharge (use C30266) | 1 |
| 9 | 111-132 | BOLT - 5/16" - 18 x 3/4" carriage | 4 |
| 10 | C28413 | CLAMP - chute (Shown) | UAR |
| 10 | C46359 | CLAMP - chute, with adjusting knob | UAR |
| 11 | C32342 | BAFFLE - mower | 1 |
| 12 | 113-103 | BOLT - 5/16" - 18 x 1 | 6 |
| 13 | 195-2175 | WASHER - .344"x 1.25" | 4 |
| 14 | 195-521 | WASHER - 5/16" | 1 |
| 15 | 131-911 | NUT - 5/16" - 18 | 4 |
| 16 | C32994 | SUPPORT - discharge chute | 1 |

INDEX



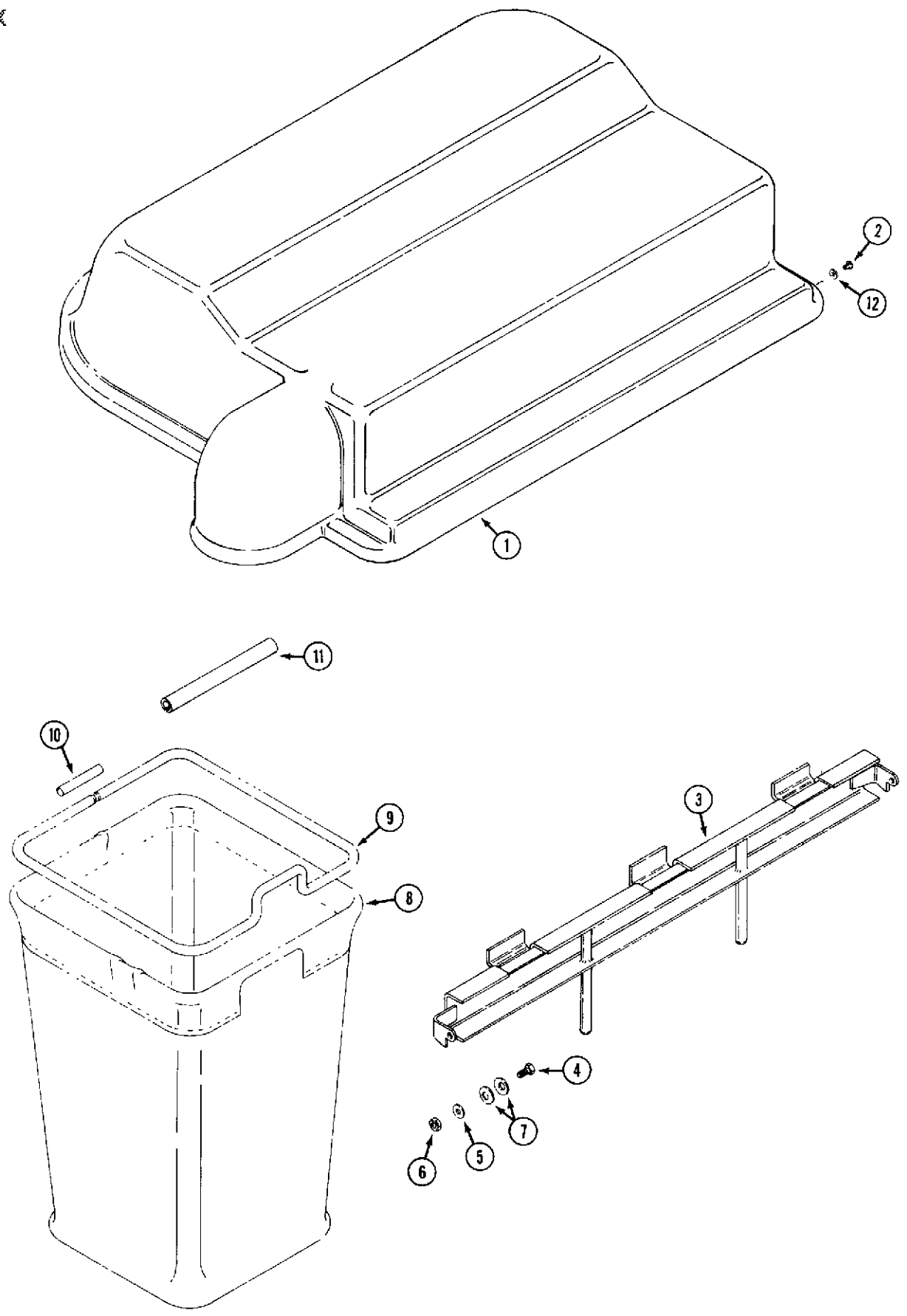
INDEX

AHVFC, AHVFB, HVFC AND HVFB HYDRAULIC VACUUMS

CART ENCLOSURE (HVFC. AHVFC)

| REF. | PART NO. | DESCRIPTION | REQ'D |
|-------------|-----------------|--------------------------------------|--------------|
| 1 | C32345 | PANEL - front.. .. . | 1 |
| 2 | C28418 | PANEL - side L.H... .. . | 1 |
| 2 | C28419 | PANEL - side R H. (shown)... .. . | 1 |
| 3 | C32414 | TAILGATE. | 1 |
| 4 | C28420 | CHANNEL - support.... .. . | 4 |
| 5 | C30102 | COVER - cart.. .. . | 1 |
| 6 | 113-102 | BOLT - 5/16" - 18 x 3/4".... .. . | 15 |
| 7 | 131-911 | NUT - 5/16" - 18 flange lock..... 15 | 15 |
| 8 | C28414 | DEFLECTOR - debris 1 | 1 |
| 9 | C33274 | TRIM - strip..... UAR | UAR |

INDEX



INDEX

AHVFC, AHVFB, HVFC AND HVFB HYDRAULIC VACUUMS

BAGS, COVER AND SUPPORT FRAME (HVFB, AHVFB)

| REF. | PART NO. | DESCRIPTION | REQ'D |
|------|----------|----------------------------------|-------|
| 1 | C32351 | COVER - bagger | 1 |
| 2 | 151-539 | RIVET - pop | UAR |
| 3 | C32357 | FRAME - support | 1 |
| 4 | 113-103 | BOLT - 5/16" - 18 x 1" | 2 |
| 5 | 195-521 | WASHER - 5/16" | 2 |
| 6 | 131-176 | NUT - 5/16" - 18 lock... .. | 2 |
| 7 | C25114 | SPRING WASHER - Belleville | 4 |
| 8 | C28438 | BAG | 3 |
| 9 | C29897 | ROD - bag reinforcement..... | 3 |
| 10 | C28440 | TUBE - connector..... | 3 |
| 11 | C32400 | GUARD - bag..... | 3 |
| 12 | 195-513 | WASHER - 7/32" x 1/2" | 4 |

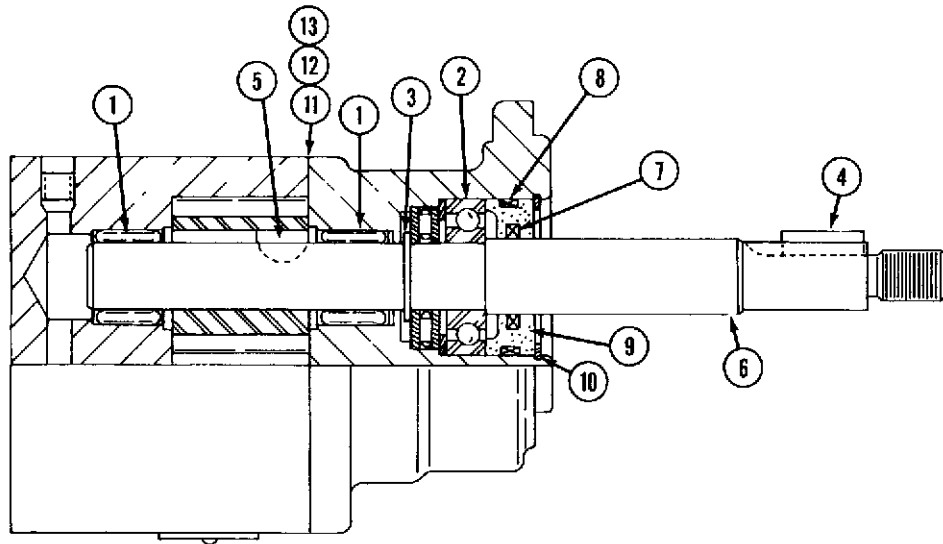
INDEX

HYDRAULIC MOTOR (HVFB, HVFC)

Use Before S/N:

HVFB - 016077

HVFC - 016510



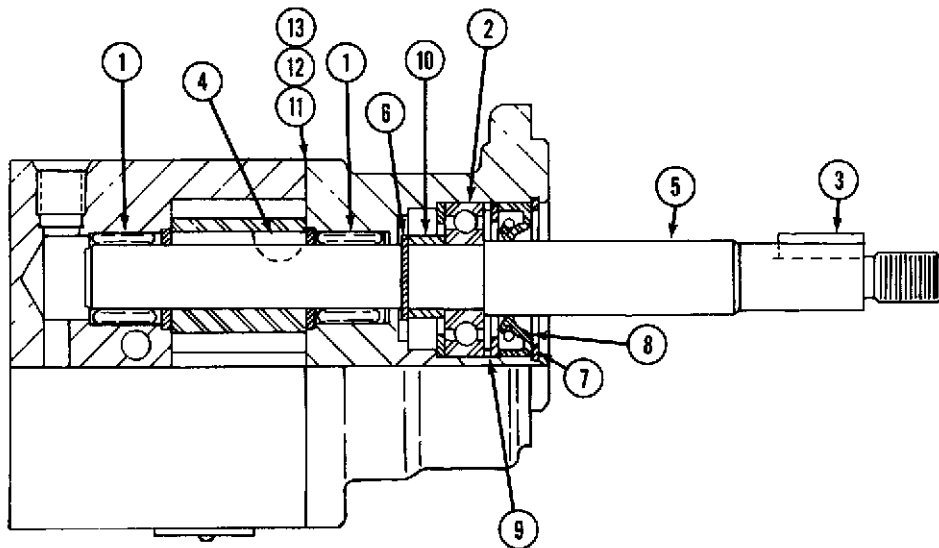
INDEX

HYDRAULIC MOTOR (HVFB, HVFC)

Use S/N and after:

HVFB - 016077

HVFB - 016510



INDEX

AHVFC, AHVFB, HVFC AND HVFB HYDRAULIC VACUUMS

HYDRAULIC MOTOR (HVFB, HVFC)

Use Before S/N:

HVFB - 016077

HVFC - 016510

| REF. | PART NO. | DESCRIPTION | REQ'D |
|------|----------|---|-------|
| | NSS | MOTOR - hydraulic (use C33126 kit)..... | 1 |
| 1 | C33292 | BEARING - needle..... | 4 |
| 2 | C33293 | BEARING - ball..... | 1 |
| | C33303 | KIT - shaft repair | 1 |
| 3 | NSS | RING - snap 1/2" external..... | 1 |
| 4 | C28215 | KEY - square 3/16" | 1 |
| 5 | 126-6 | KEY - woodruff 1/8" x 3/8" | 1 |
| 6 | NSS | SHAFT - hydraulic motor | 1 |
| | C33304 | KIT - seal | 1 |
| 7 | NSS | "0" RING - internal | 1 |
| 8 | NSS | "0" RING - external | 1 |
| 9 | NSS | RETAINER - seal..... | 1 |
| 10 | NSS | RING - snap 1-1/8" internal | 1 |
| 11 | NSS | GASKET - body .00050" (silver)..... | UAR |
| 12 | NSS | GASKET - body .00075" (gold)..... | UAR |
| 13 | NSS | GASKET - body .00100" (amber) | UAR |

INDEX

HYDRAULIC MOTOR (HVFB, HVFC)

Use S/N and after:

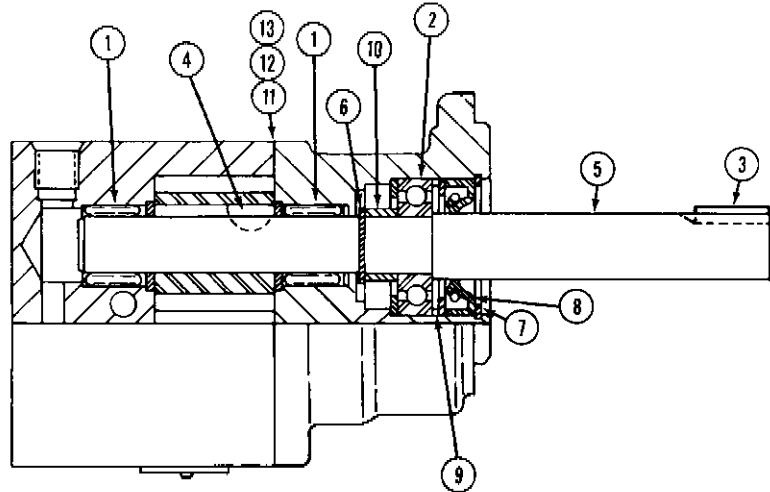
HVFB - 016077

HVFC - 016510

| | | | |
|----|--------|--------------------------------------|-----|
| | C33108 | MOTOR - hydraulic | 1 |
| 1 | C33292 | BEARING - needle..... | 4 |
| 2 | C33293 | BEARING - ball | 1 |
| | C33301 | KIT - shaft repair | 1 |
| 3 | C28215 | KEY - square 3/16" | 1 |
| 4 | 126-6 | KEY - woodruff 1/8" x 3/8" | 1 |
| 5 | NSS | SHAFT - hydraulic motor | 1 |
| 6 | NSS | RING - snap 1/2" external | 1 |
| | C33302 | KIT - seal..... | 1 |
| 7 | NSS | RING - snap 1-1/8" internal..... | 1 |
| 8 | C33282 | SEAL - oil | 1 |
| 9 | NSS | SPACER - seal | 1 |
| 10 | NSS | SPACER - bearing | 1 |
| 11 | NSS | GASKET - body .00050" (silver) | UAR |
| 12 | NSS | GASKET - body .00075" (gold)..... | UAR |
| 13 | NSS | GASKET - body .00100" (amber) | UAR |

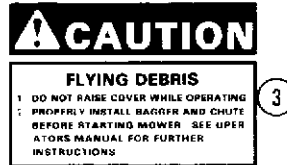
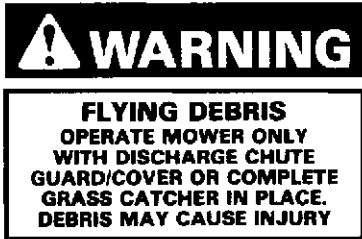
INDEX

HYDRAULIC MOTOR (AHVFB, AHVFC)



| REF. | PART NO. | DESCRIPTION | REQ'D |
|------|----------|--------------------------------------|-------|
| | C42099 | MOTOR - hydraulic | 1 |
| 1 | C33292 | BEARING - needle..... | 4 |
| 2 | C33293 | BEARING - ball. | 1 |
| | C43593 | KIT - shaft repair | 1 |
| 3 | C43446 | KEY - square 3/16" x 1-1/4"..... | 1 |
| 4 | 126-6 | KEY - woodruff 1/8" x 3/8"..... | 1 |
| 5 | NSS | SHAFT - hydraulic motor | 1 |
| 6 | NSS | RING - snap 1/2" external... .. | 1 |
| | C33302 | KIT - seal | 1 |
| 7 | NSS | RING - snap 1-1/8" internal | 1 |
| 8 | C43673 | SEAL-oil.. .. | 1 |
| 9 | NSS | SPACER - seal. | 1 |
| 10 | NSS | SPACER - bearing..... | 1 |
| 11 | NSS | GASKET - body .00050" (silver) | UAR |
| 12 | NSS | GASKET - body .00075" (gold) | UAR |
| 13 | NSS | GASKET - body .00100" (amber) | UAR |

④ INGERSOLL



| REF. | PART NO. | DESCRIPTION | REQ'D |
|------|----------|--------------------------------|-------|
| 1 | C31089 | DECAL - "Spinning Blade" | UAR |
| 2 | C31086 | DECAL - "Flying Debris"..... | 1 |
| 3 | C31088 | DECAL - "Flying Debris"..... | 1 |
| 4 | C31989 | DECAL - "Ingersoll" shown..... | 1 |