

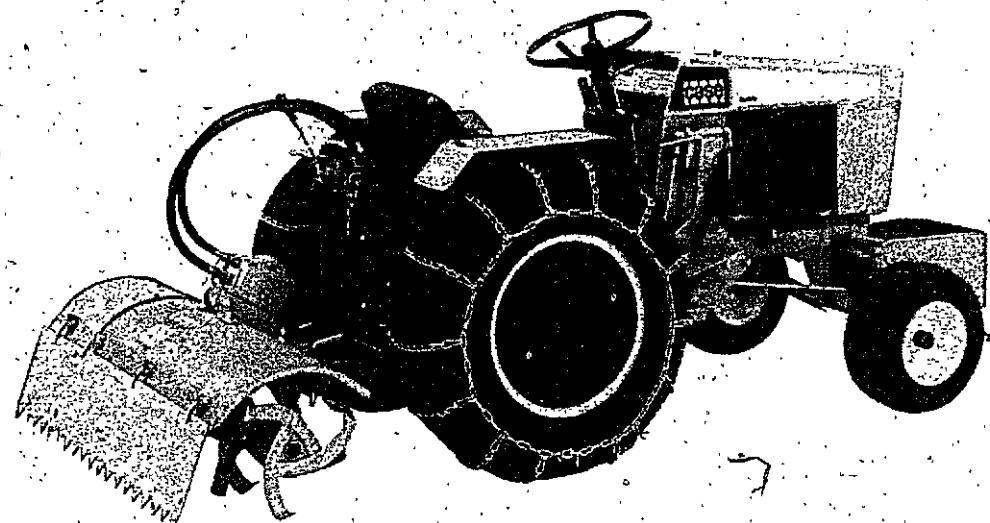
**J70 ROTARY TILLER S/N H37885 & AFTER  
H70 ROTARY TILLER PRIOR TO S/N H37885  
F70 ROTARY TILLER FOR COMPACT TRACTORS**

Part Catalog B1189

Print Shop 2500

Published August 1977

Note: This parts catalog replaces the previous issue - A1189 - and catalog 1132 which are obsolete and should be discarded.



**ALPHABETICAL INDEX**

	PAGE	GRID
Hydraulic System .....	9-13	A8-A12
Motor, Hydraulic .....	11-15	A10-A14
Tiller Housing Assembly .....	5	A4
Tine Assembly .....	7	A6
Valve, Hydraulic .....	9-11	A8-A10

NOTE: See grid C2 for -  
J72 Tiller prior to P.I.N. P30509

NOTE: See grid E2 for -  
J72 Tiller P.I.N. P30509 and after

NOTE: See grid G2 for -  
J74 Tiller

MODEL DESIGNATION	TRACTOR APPLICATION							
	220	222	224	442	444	446	644	646
F70	X	X		X	X			
H70 and J70	X	X	X	X	X	X	X	X

**J-I Case**  
A Tenneco Company

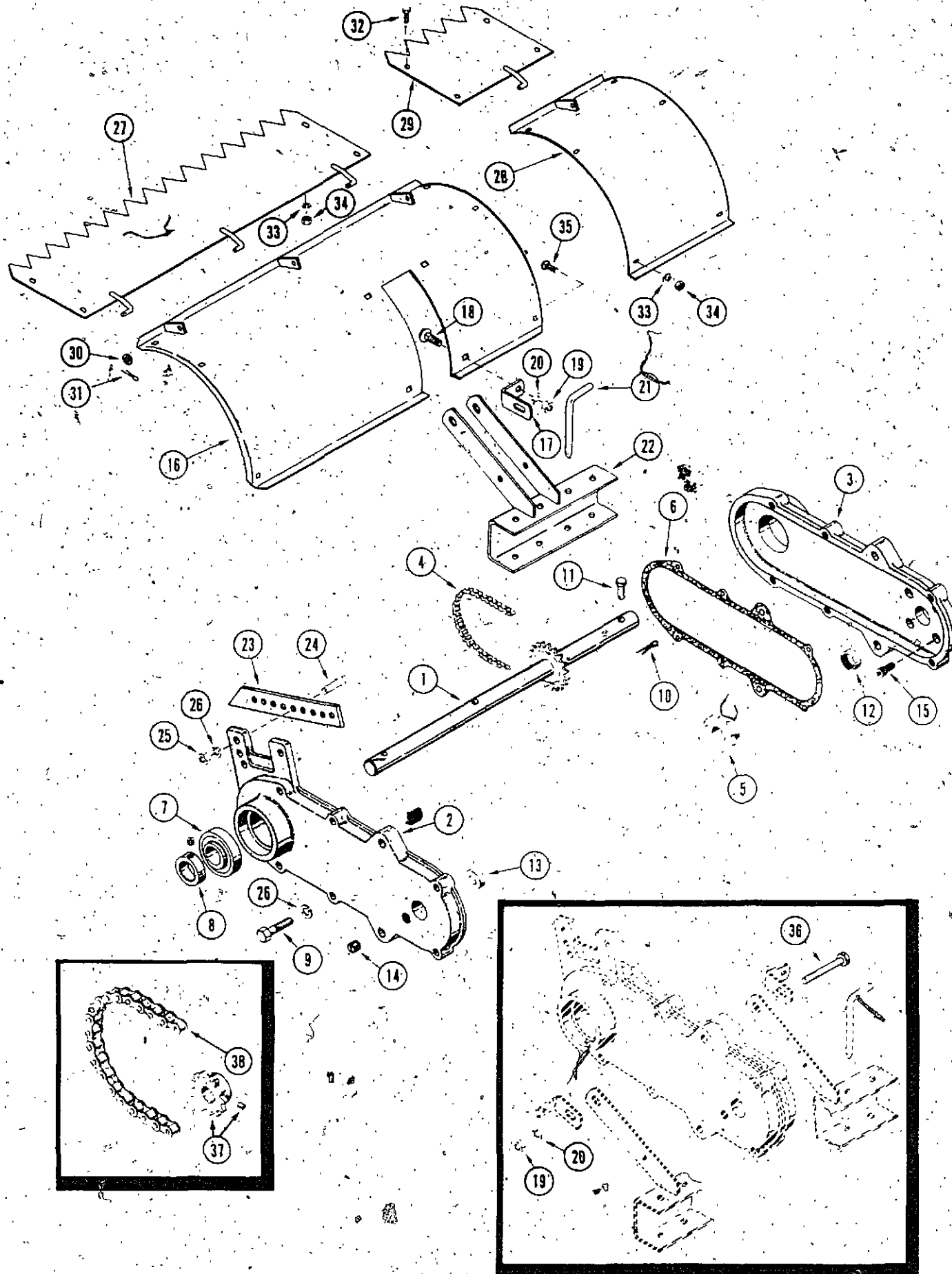


Service Parts Supply

700 State Street  
Racine, Wisconsin 53404

Printed in U.S.A.

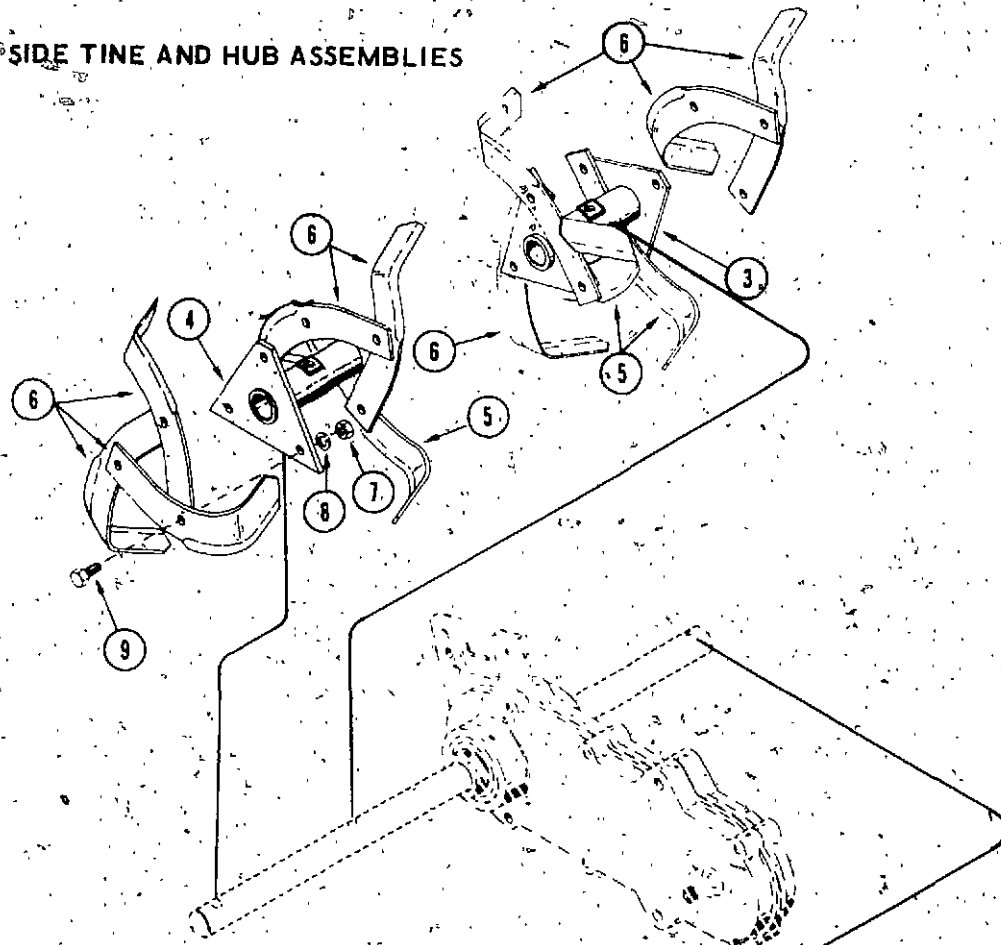
ROTARY TILLER ASSEMBLY



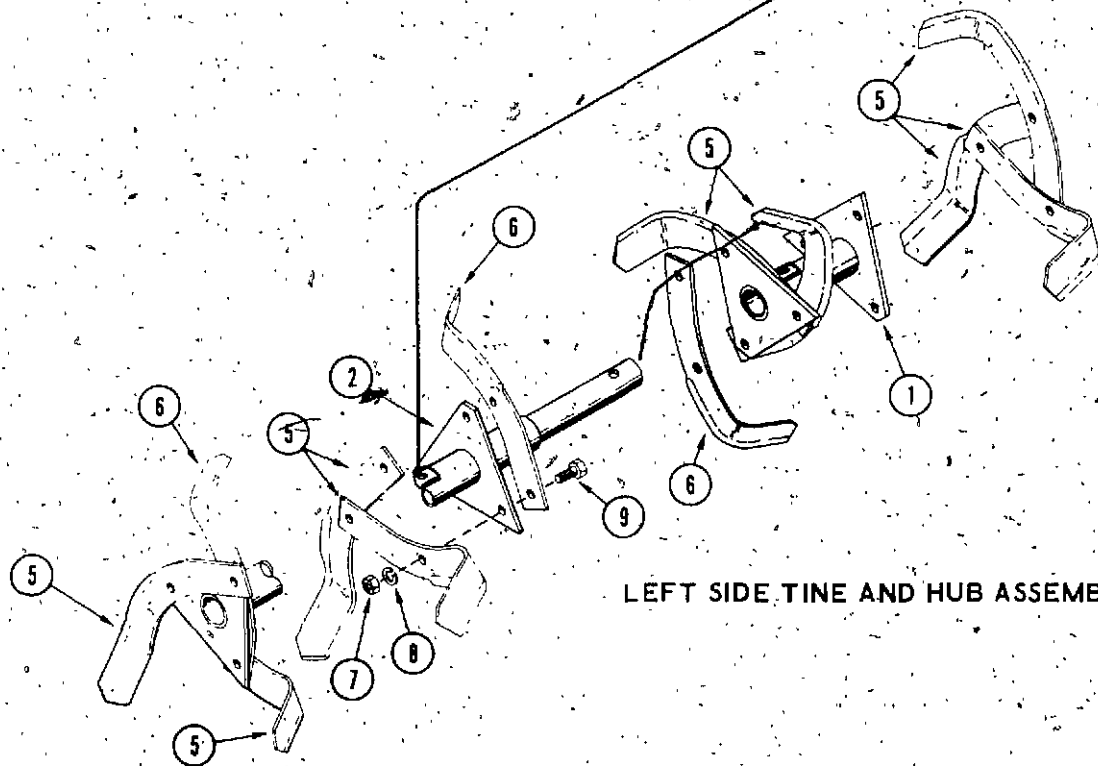
REF.	PART NO.	DESCRIPTION	REQ'D
1	C 14668	SHAFT - tiller (Includes sprocket)	1
2	C 14100	HOUSING - tiller, right hand	1
3	C 14101	HOUSING - tiller, left hand	1
4		CHAIN, roller, 56 links No. 50 roller (F70 and H70)	1
		CHAIN USE:	
	B 12474	CHAIN - 50 links No. 50 roller chain	
	B 12477	CHAIN - 6 links No. 50 roller chain	
	B 12505	LINK - connecting No. 50 roller chain	
	B 12506	LINK - offset No. 50 roller chain	
	B 12507	LINK - roller No. 50 roller chain	
	B 12508	LOCK SPRING CLIPS - (Pkg. of 25) for No. 50 roller chain	
5	C 12523	SPROCKET - drive No. 50, 11 tooth (w/setscrew) (F70 and H70)	1
6	C 12515	GASKET - tiller housing	1
7	C 10405	BEARING - tiller shaft	2
8	B 18329	COLLAR - w/setscrew	2
9	113- 219	BOLT - 3/8" x 2" NC hex ZP	6
10	132- 47	PIN - cotter	4
11	C 21660	PIN - clevis 7/16" x 2-1/2"	4
12	C 14070	BEARING - needle, motor shaft	1
13	C 14107	BEARING - needle, motor shaft	1
14	224- 43	PLUG - housing 3/8" NPT slotted headless	1
15	61- 612	CAP SCREW - 3/8" x 3/4" NC socket head	4
16	C 14917	SHIELD - tiller	1
17	C 11451	BRACKET - angle mounting	4
18	111- 517	BOLT - 1/2" x 1" rd. hd. square neck NC ZP	4
19	129- 105	NUT - 1/2" NC hex ZP	6
20	192- 23	LOCKWASHER - 1/2" ZP	6
21	C 14568	PIN - drawbar	2
22	C 14637	HITCH - tiller	1
23	C 12528	TINE - retarding	1
24	113- 208	BOLT - 3/8" x 1-1/4" NC hex ZP	2
25	129- 103	NUT - 3/8" NC hex ZP	2
26	192- 21	LOCKWASHER - 3/8" ZP	8
27	C 14672	DRAG - tiller shield	1
28	C 14918	SHIELD - extension	1
29	C 14623	DRAG - extension	1
30	195- 524	WASHER - 3/8" plain	2
31	132- 308	PIN - cotter 3/32" x 3/4" ZP	2
32	113- 102	BOLT - 5/16" x 3/4" NC hex ZP	2
33	192- 20	LOCKWASHER - 5/16"	5
34	129- 102	NUT - 5/16" NC hex ZP	5
35	111- 202	BOLT - 5/16" x 3/4" Rd. Hd. square neck	3
36	113- 440	BOLT - 1/2" x 4-1/4" NC hex ZP	2
37	C 22613	SPROCKET - drive No. 50, 13 tooth (w/setscrew) (J70)	1
38	NSS	CHAIN - roller, 57 links (J70) Use:	1
	B 12474	CHAIN - roller, 50 links No. 50 (includes connector)	1
	O 2032FH	CHAIN - roller, 7 links No. 50 (includes connector)	1
	B 12505	CONNECTOR - No. 50	1
	B 12506	OFFSET - No. 50	1
321	4381	DECAL - "Warning Spinning Blade"	1
321	1571	DECAL - "CASE"	1

ROTARY TILLER TINE ASSEMBLY

RIGHT SIDE TINE AND HUB ASSEMBLIES

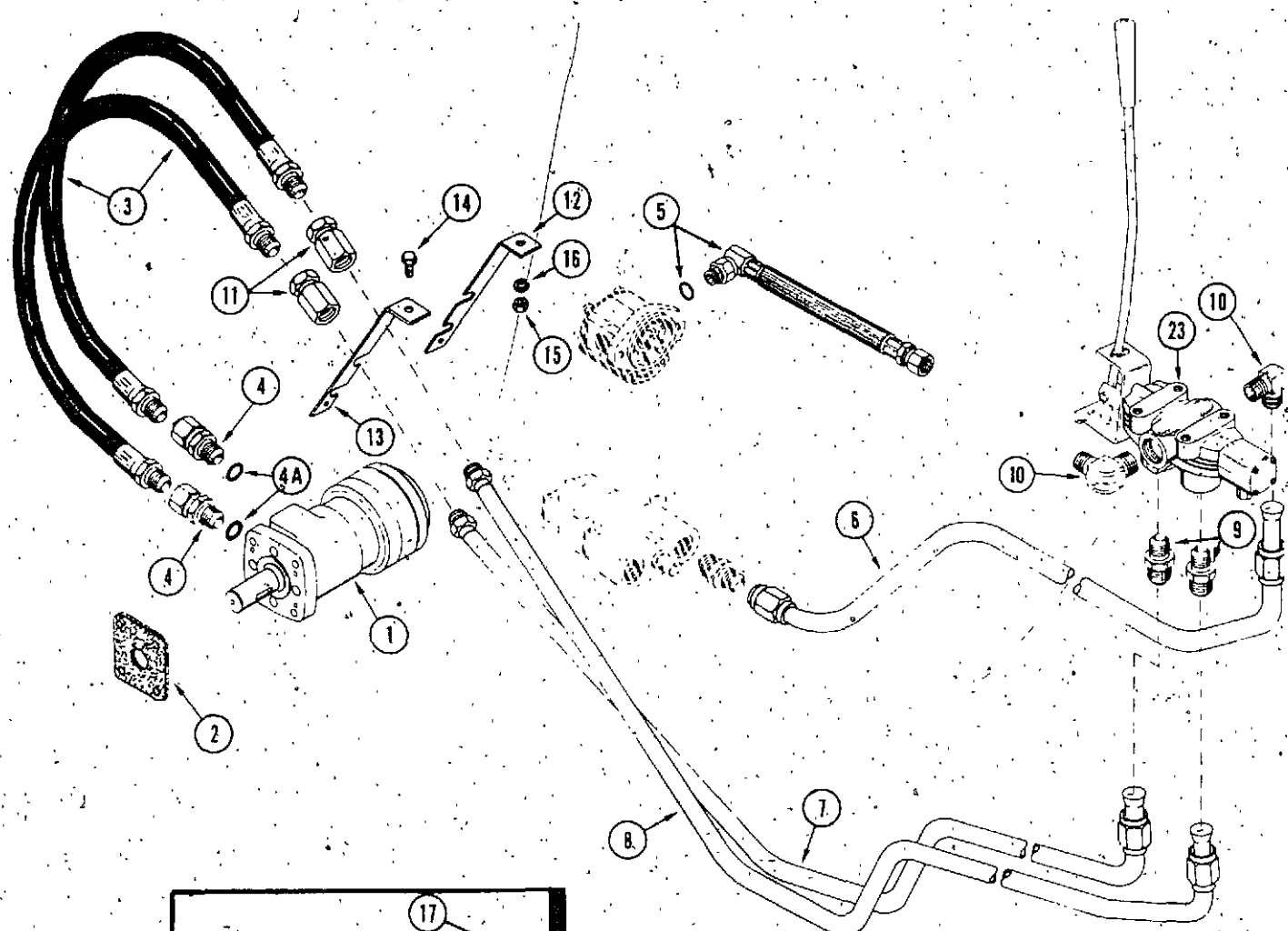


LEFT SIDE TINE AND HUB ASSEMBLIES

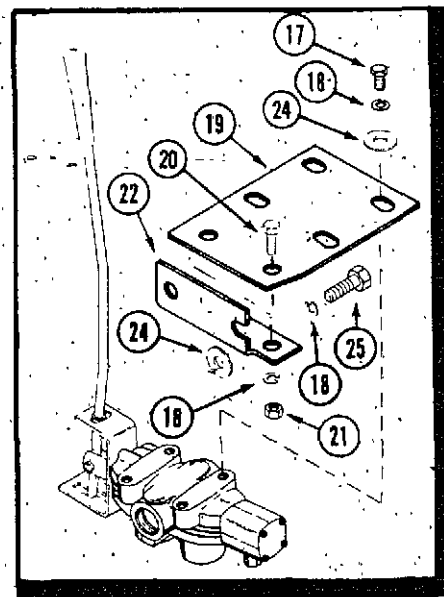


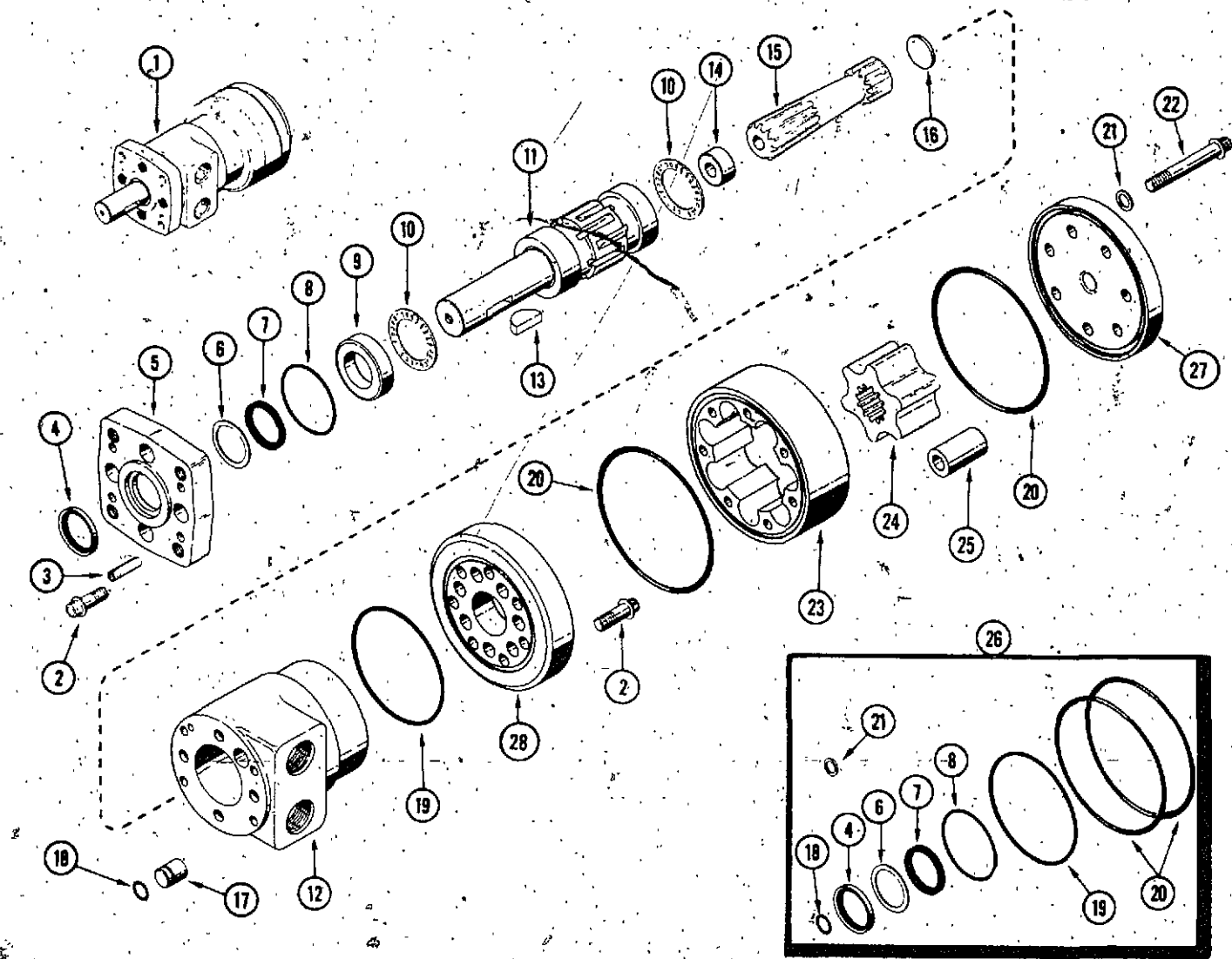
REF.	PART NO.	DESCRIPTION	REQ'D
1	C 14674	HUB - left outside	1
2	C 14677	EXTENSION - shaft	1
3	C 14669	HUB - right inside	1
4	C 14667	HUB - right outside	1
5	C 13833	TINE - right	12
6	C 13834	TINE - left	12
7	129- 103	NUT - 3/8" NC hex ZP	24
8	192- 21	LOCKWASHER - 3/8" ZP	24
9	113- 208	BOLT - 3/8" x 1-1/2" NC hex ZP	24

F70 TILLER HYDRAULIC SYSTEM



REF.	PART NO.	DESCRIPTION	REQ'D
1	C 14781	MOTOR - hydraulic (Repairs see page 11)	1
2	A 70128	GASKET - hydraulic motor	1
3	C 14676	HOSE - hydraulic motor to valve tubes	2
4	218- 5251	ADAPTER - union 5/8" "O" ring x 1/2" NPT	2
4A	218- 5007	"O" RING - 5/8" for 218-5251 fitting	2
5	C 16463	HOSE - pump to valve	1
6	C 14588	TUBE - tractor valve to tiller valve	1
7	C 14587	TUBE - tiller valve to motor tube	1
8	C 14586	TUBE - tiller valve to motor tube	1
9	218- 445	FITTING - straight (1/2" NPT x 5/8" tube)	2
10	218- 494	ELBOW - 90° 3/4" NPT x 5/8" tube	2
11	218- 911	UNION - adapter 1/2" NPT x 1/2" NPT	2
12	C 14889	BRACKET - tube lower	1
13	C 14890	BRACKET - tube upper	1
14	113- 3	BOLT - 1/4" x 3/4" NC hex ZP	2
15	129- 101	NUT - 1/4" NC hex ZP	2
16	192- 19	LOCKWASHER - 1/4" ZP	2
17	113- 206	BOLT - 3/8" x 3/4" NC hex ZP	4
18	192- 21	LOCKWASHER - 3/8" ZP	8
19	C 14279	SUPPORT - tiller valve	1
20	113- 207	BOLT - 3/8" x 1" NC hex ZP	2
21	129- 103	NUT - 3/8" NC hex ZP	2
22	C 14520	BRACKET - valve mounting (used on Model 444 only)	1
23	C 14772	VALVE - tiller control (Repairs page 11)	1
24	195- 524	WASHER - 3/8" plain	5
25	KO 234380	BOLT - special 3/8" x 1-13/32"	2



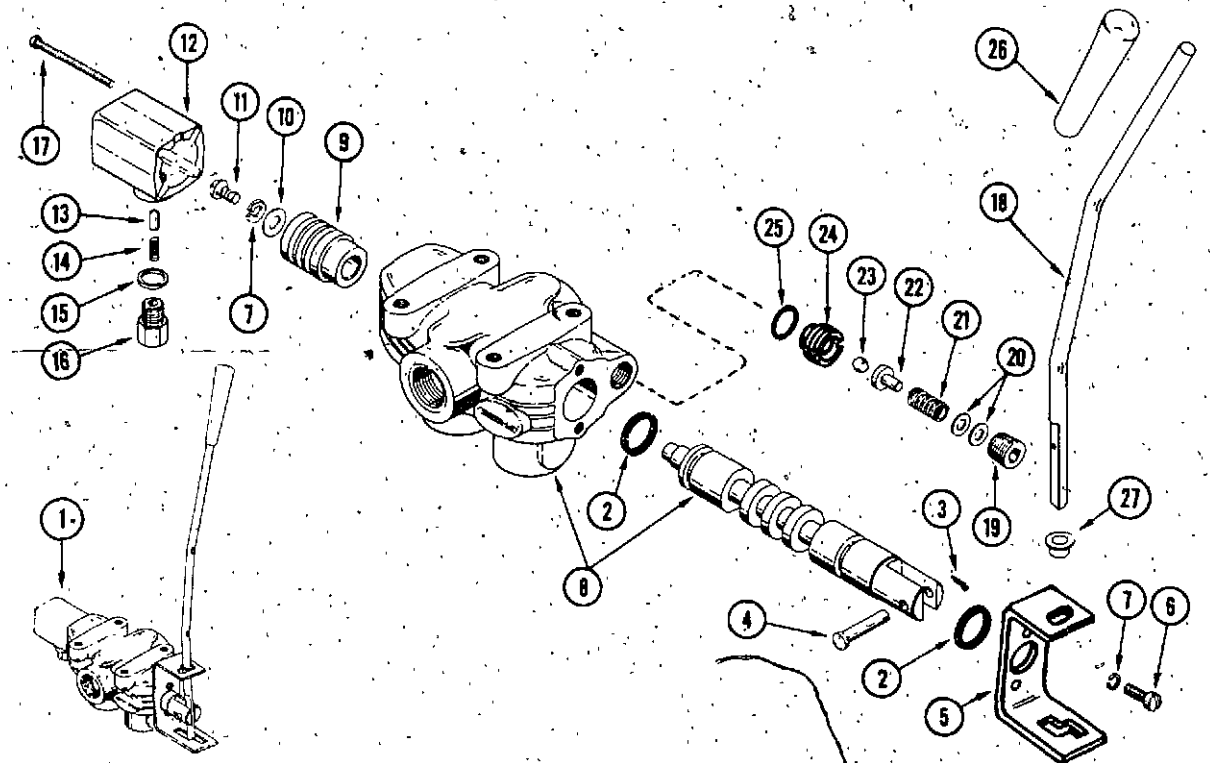


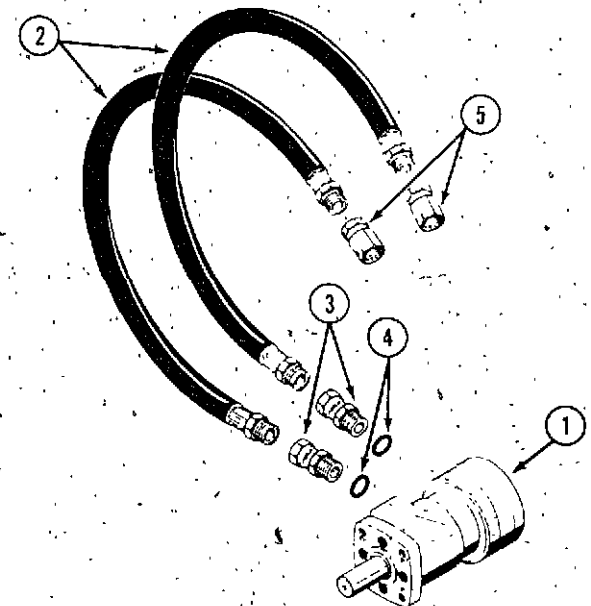
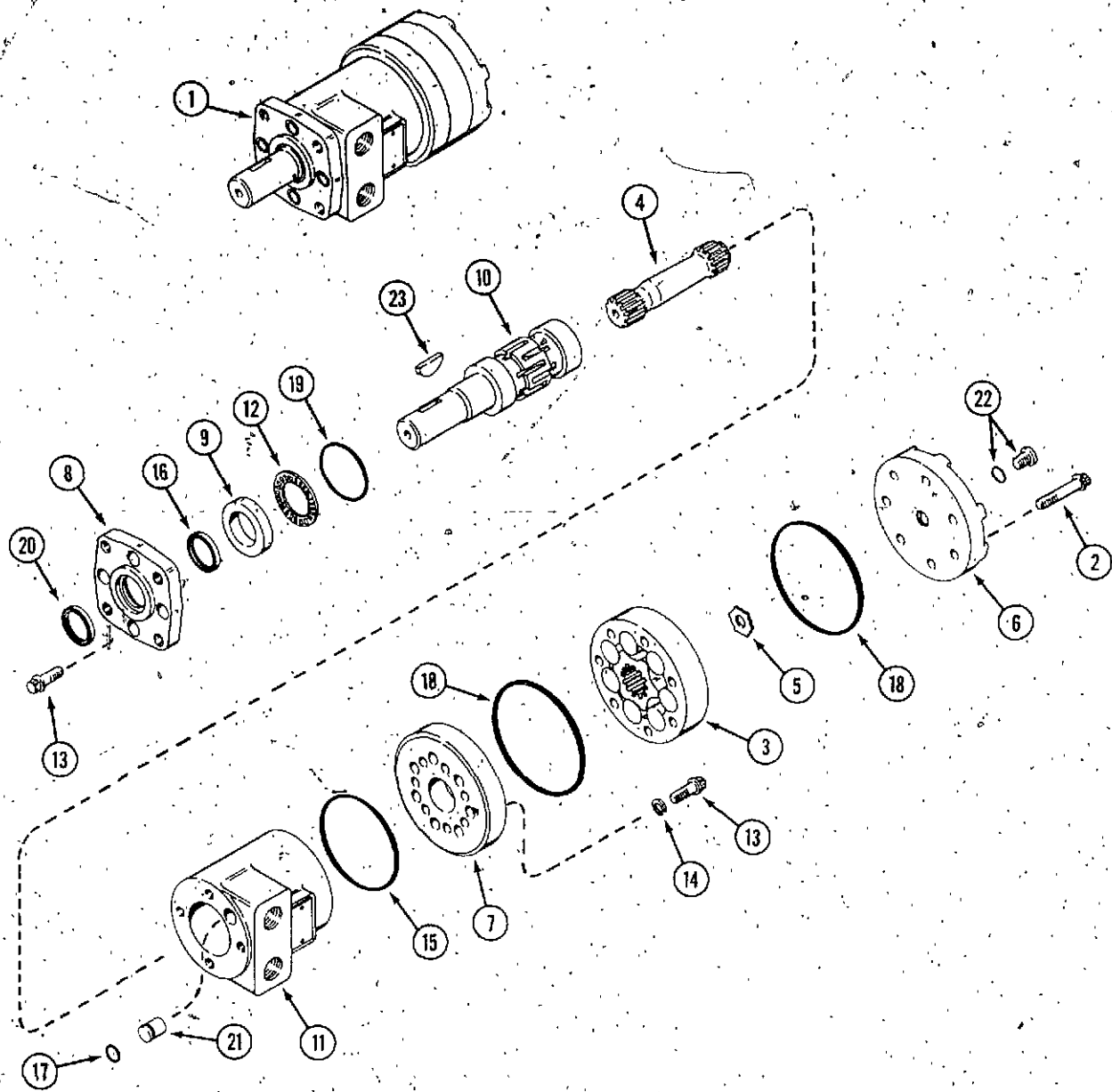
F70 ROTARY TILLER HYDRAULIC MOTOR

REF.	PART NO.	DESCRIPTION	REQ'D
1	C 14781	MOTOR - hydraulic	1
2	166- 524	SCREW - ferry cap 5/16" x 7/8" NF.	11
3	138- 134	PIN - roll 1/4" x 1"	4
4	NSS	SEAL - oil (See Ref. 26)	1
5	C 14785	PLATE - mounting	1
6	NSS	WASHER - back up (See Ref. 26)	1
7	NSS	QUAD RING - mounting plate (See Ref. 26)	1
8	NSS	"O" RING - mounting plate (See Ref. 26)	1
9	A 72030	RACE - output shaft	1
10	A 72031	BEARING - thrust	2
	C 14789	SHAFT AND HOUSING ASSEMBLY (Consists of items 11 and 12)	1
11	NSS	SHAFT - output (Order C14789)	1
12	NSS	HOUSING - (Order C14789)	1
13	126- 24	KEY - Woodruff 1" x 1/4"	1
14	C 13973	SPACER - output shaft	1
15	C 13961	COUPLING - drive	1
16	C 13962	SPACER - drive coupling	1
17	A 72034	PLUG - housing	1
18	NSS	"O" RING - housing plug (See Ref. 26)	1
19	NSS	"O" RING - housing to spacer plate (See Ref. 26)	1
20	NSS	"O" RING - spacer plate and end cap (See Ref. 26)	2
21	C 14301	WASHER - end cap	7
22	166- 528	SCREW - ferry cap 5/16" x 1-3/4" NF.	7
	C 14782	KIT - geroler	1
23	NSS	HOUSING - geroler	1
24	NSS	GEROLER	1
25	NSS	ROLLER	6
26	C 14787	KIT - "O" ring and seal (Includes items 4, 6, 7, 8, 18, 19, 20 and 21)	1
27	C 14783	CAP - end	1
28	C 14784	PLATE - spacer	1

F70 ROTARY TILLER HYDRAULIC CONTROL VALVE

1	C 14772	VALVE - tiller control	1
2	C 11891	SEAL - U-cup	2
3	132- 6	PIN - cotter 1/16" x 5/8"	1
4	36627	PIN - handle	1
5	C 14651	BRACKET - handle	1
6	71- 410	SCREW - 1/4" x 5/8" NC fillister head	2
7	92- 4	LOCKWASHER - 1/4"	3
8	NSS	BODY AND SPOOL ASSEMBLY (Order C14772)	1
9	C 11895	ADAPTER - spool	1
10	95- 4	WASHER - plain 1/4"	1
11	75- 48	SCREW - 1/4" x 1/2" rd. hd. machine	1
12	C 11893	BONNET - detent	1
13	C 11901	PIN - detent	1
14	C 11892	SPRING - detent	1
15	C 11886	WASHER - detent spring	1
16	C 11887	CAP - detent	1
17	169- 108	SCREW - bonnet 8-32 x 2-1/4" fillister head	4
18	C 14280	LEVER - valve	1
19	221- 842	PLUG - relief 3/8" NPT	1
20	195- 515	WASHER - relief	2
21	O 4458CS	SPRING - relief	1
22	C 14327	SPACER - no relief	1
23	211- 11	BALL - relief 3/8"	1
24	C 11896	SEAT - relief	1
25	A 27891	"O" RING - relief seat	1
26	A 37247	KNOB - hand throttle	1
27	C 12127	BUSHING - nylon	1





C24695 HYDRAULIC MOTOR

CHAR-LYNN NO. 103-1267-007

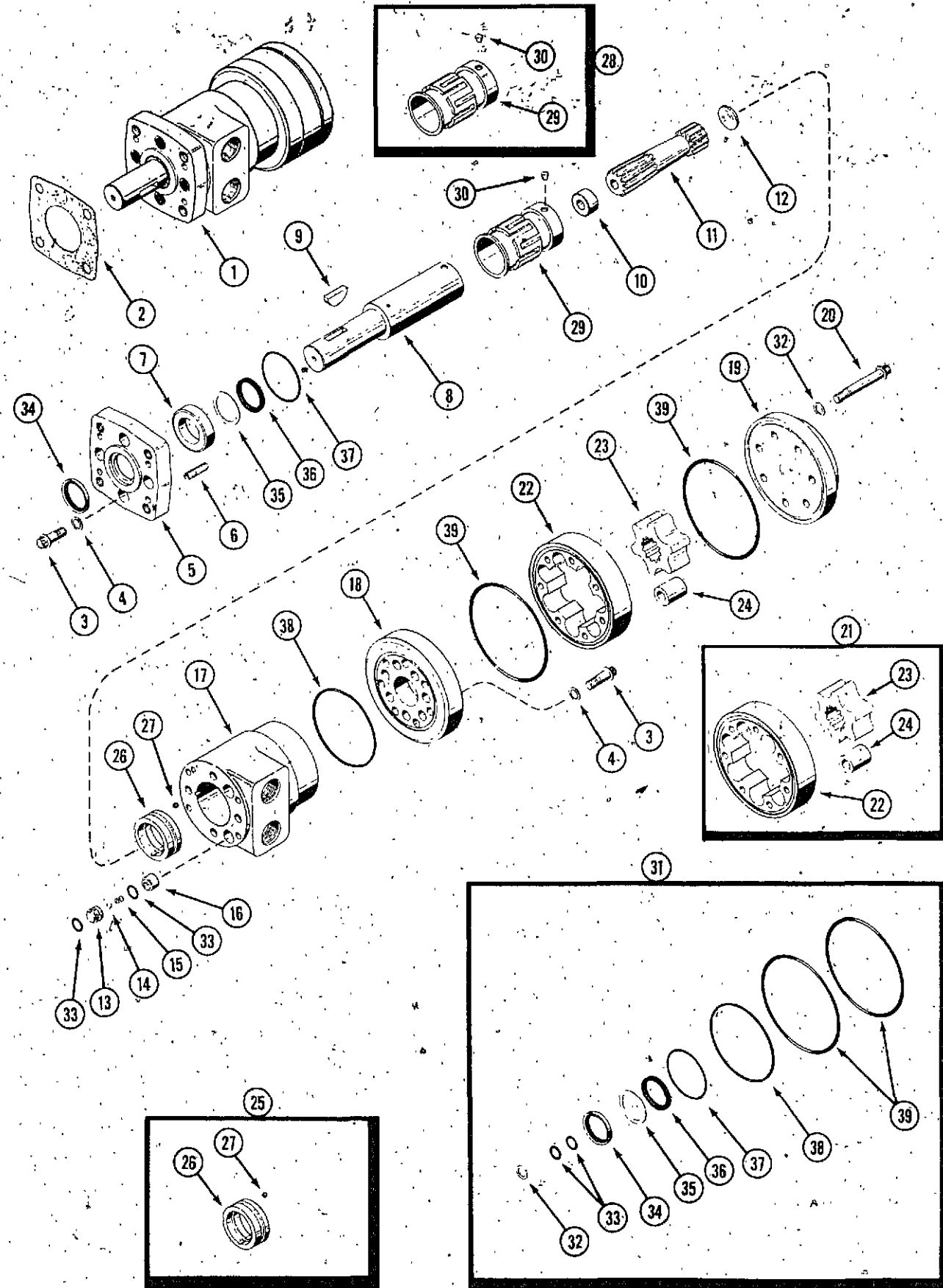
REF.	PART NO.	DESCRIPTION	REQ'D
	A 70128	GASKET - hyd. motor to tiller housing	1
1	C 24695	MOTOR - hydraulic drive	1
2	166- 528	SCREW - 5/16" - 24 NF, 12 pt. flange	7
3	S 221680	GEROLER ASSEMBLY	1
4	S 94546	COUPLING - drive	1
5	S 108176	SPACER - coupling, rear	1
6	S 108178	CAP - end	1
7	S 108184	PLATE - spacer	1
8	H 315721	PLATE - mounting	1
9	S 108186	RACE - bearing	1
10	C 24696	SHAFT - output	1
11	S 108188	HOUSING	1
12	S 108189	BEARING - thrust, needle	1
13	166- 524	SCREW - 5/16" - 24 NF, 12 pt. flange	11
14	192- 22	LOCKWASHER - 5/16"	7
15	C 13965	SEAL - "O" ring 3" x 1/16"	1
16	S 108190	SEAL - shaft	1
17	A 30825	SEAL - "O" ring 1/2" x 1/16"	1
18	S 94563	SEAL - "O" ring 3.775 x .070	2
19	A 17528	SEAL - "O" ring	1
20	H 757559	SEAL - dust	1
21	A 72034	PLUG - housing	1
22	S 108180	PLUG ASSEMBLY - includes "O" ring	1
23	126- 24	KEY - Woodruff 1" x 1/4"	1

H70 AND J70 TILLER HYDRAULIC SYSTEMS

1	C 24695	MOTOR - hydraulic drive (repairs above)	1
1	NSS	MOTOR - hydraulic drive (repairs page 15)	1
2	C 14676	HOSE - hyd. motor to valve tubes	2
3	218- 5251	FITTINGS - union 7/8" "O" ring x 1/2" NPT	2
4	218- 5007	"O" RING - 5/8" for 218-5251 fitting	2
5	218- 911	FITTING - union 1/2" NPT x 1/2" NPT (H70)	2

H70 AND J70 ROTARY TILLER HYDRAULIC MOTOR C17288

CHAR LYNN NO. 6366-48 (USE C24695 FOR SERVICE)



REF.	PART NO.	DESCRIPTION	REQ'D
1	NSS	MOTOR - hydraulic drive (order C24695)	1
2	A 70128	GASKET - hyd. motor to tiller housing	1
3	166- 524	SCREW - ferry cap 5/16 x 7/8"	11
4	192- 22	LOCKWASHER - 5/16" internal tooth	11
5	C 14785	PLATE - mounting	1
6	138- 134	PIN - roll 1/4 x 1"	4
7	C 17349	BEARING - thrust	1
8	C 17342	SHAFT - output	1
9	126- 24	KEY - woodruff 1 x 1/4"	1
10	C 13973	SPACER - coupling	1
11	C 13961	COUPLING - drive	1
12	C 13962	SPACER - coupling, rear	1
	A 43587	RETAINER ASSEMBLY - check ball	1
13	NSS	SEAT - ball	2
14	NSS	BALL	2
15	NSS	SPRING	2
16	NSS	RETAINER	2
17	C 17341	HOUSING	1
18	C 14784	PLATE - spacer	1
19	C 14783	CAP - end	1
20	166- 528	SCREW - ferry cap 5/16 x 1-3/4" NF	7
21	C 14782	KIT - geroler	1
22	NSS	HOUSING	1
23	NSS	GEROLER	1
24	NSS	ROLLER	6
25	C 17852	KIT - bushing and ball	1
26	NSS	BUSHING	1
27	NSS	BALL	1
28	C 17851	KIT - sleeve and pin	1
29	NSS	SLEEVE	1
30	NSS	PIN	1
31	C 17356	KIT - seal and "O" ring	1
32	NSS	WASHER - seal	7
33	NSS	SEAL - "O" ring	4
34	NSS	SEAL - oil	1
35	NSS	WASHER - back up	1
36	NSS	SEAL - quad ring	1
37	NSS	SEAL - "O" ring	1
38	NSS	SEAL - "O" ring	1
39	NSS	SEAL - "O" ring	2

## NUMERICAL INDEX

PART NO.	PAGE NO.	REF. NO.	PART NO.	PAGE NO.	REF. NO.	PART NO.	PAGE NO.	REF. NO.			
	36627	11	4	C	14637	5	22	61	612	5	15
A	17528	13	19	C	14651	11	5	71	410	11	6
A	27891	11	25	C	14667	7	4	75	48	11	11
A	30825	13	17	C	14668	5	1	92	4	11	7
A	37247	11	26	C	14669	7	3	95	4	11	10
A	43587	15		C	14672	5	27	113	3	9	14
A	70128	9	2	C	14674	7	1	111	202	5	35
A	70128	13		C	14676	9	3	111	517	5	18
A	70128	15	2	C	14676	13	2	113	102	5	32
A	72030	11	9	C	14677	7	2	113	206	9	17
A	72031	11	10	C	14772	9	23	113	207	9	20
A	72034	11	17	C	14772	11	1	113	208	5	24
A	72034	13	21	C	14781	9	1	113	208	7	9
B	12474	5		C	14781	11	1	113	219	5	9
B	12474	5		C	14782	11		113	440	5	36
B	12477	5		C	14782	15	21	126	24	11	13
B	12505	5		C	14783	11	27	126	24	13	23
B	12505	5		C	14783	15	49	126	24	15	9
B	12506	5		C	14784	11	28	129	101	9	15
B	12506	5		C	14784	15	18	129	102	5	34
B	12507	5		C	14785	11	5	129	103	5	25
B	12508	5		C	14785	15	5	129	103	7	7
B	18329	5	8	C	14787	11	26	129	103	9	21
C	10405	5	7	C	14789	11		129	105	5	19
C	11451	5	17	C	14889	9	12	132	6	11	3
C	11886	11	15	C	14890	9	13	132	47	5	10
C	11887	11	16	C	14917	5	16	132	308	5	31
C	11891	11	2	C	14918	5	28	138	134	11	3
C	11892	11	14	C	16463	9	5	138	134	15	6
C	11893	11	12	C	17341	15	17	166	524	11	2
C	11895	11	9	C	17342	15	8	166	524	13	13
C	11896	11	24	C	17349	15	7	166	524	15	3
C	11901	11	13	C	17356	15	31	166	528	11	22
C	12127	11	27	C	17851	15	28	166	528	13	2
C	12515	5	6	C	17852	15	25	166	528	15	20
C	12523	5	5	C	21660	5	11	169	108	11	17
C	12528	5	23	C	22613	5	37	192	19	9	16
C	13833	7	5	C	24695	13	1	192	20	5	33
C	13834	7	6	C	24695	13	1	192	21	5	26
C	13961	11	15	C	24696	13	10	192	21	7	8
C	13961	15	11	H	315721	13	8	192	21	9	18
C	13962	11	16	H	757559	13	20	192	22	13	14
C	13962	15	12	KO	234380	9	25	192	22	15	4
C	13965	13	15	O	2032-FH	5		192	23	5	20
C	13973	11	14	O	4458-CS	11	21	195	515	11	20
C	13973	15	10	S	94546	13	4	195	524	5	30
C	14070	5	12	S	94563	13	18	195	524	9	24
C	14100	5	2	S	108176	13	5	211	11	11	23
C	14101	5	3	S	108178	13	6	218	445	9	9
C	14107	5	13	S	108180	13	22	218	494	9	10
C	14279	9	19	S	108184	13	7	218	911	9	11
C	14280	11	18	S	108186	13	9	218	911	13	5
C	14301	11	21	S	108188	13	11	218	5007	9	4A
C	14327	11	22	S	108189	13	12	218	5007	13	4
C	14520	9	22	S	108190	13	16	218	5251	9	4
C	14568	5	21	S	221680	13	3	218	5251	13	3
C	14586	9	8					221	43	5	14
C	14587	9	7					221	842	11	19
C	14588	9	6					321	1571	5	
C	14623	5	29					321	4381	5	

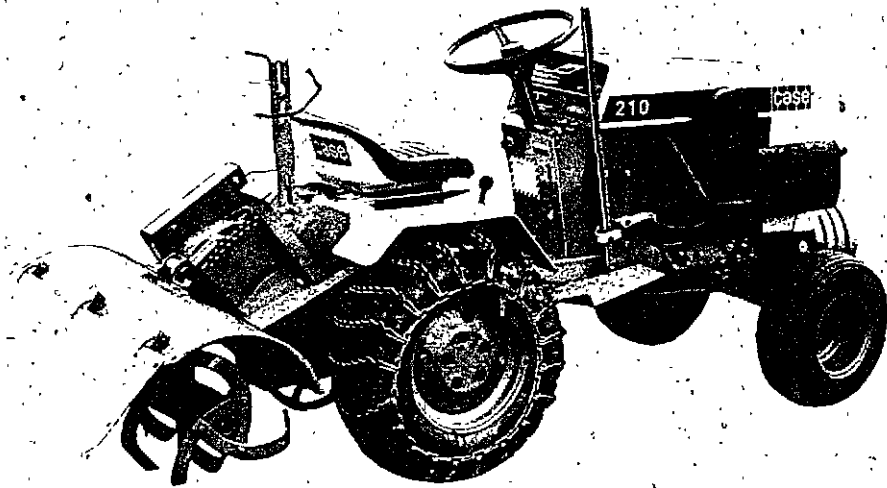
HARDWARE CODE NUMBERS



**J72 ROTARY TILLER**  
**PRIOR TO S/N P30509**  
**FOR 210 COMPACT TRACTORS**  
**Parts Catalog No. A1261**

Print Shop 2500 4-76

Note: This catalog replaces the previous issue - 1261 - which is obsolete and should be discarded.



**ALPHABETICAL INDEX**

	PAGE	GRID
Bearings, Tiller Case .....	13	C12
Belts .....	17	D2
Frame, Hitch .....	5	C4
Gear Box .....	11	C10
Guards .....	17	D2
Hitch, Tiller .....	7	C6
Housing, Tiller .....	13	C12
Lever, Clutch .....	5	C4
Lever, Lift .....	5	C4
Pulleys and Idlers .....	9	C8
Shaft, Tine .....	13	C12
Shield, Tine .....	13	C12
Sprockets, Tiller Housing .....	13	C12
Tines, Tiller .....	15	C14

NOTE: See grid A2 for -  
F70, H70, J70 Tiller

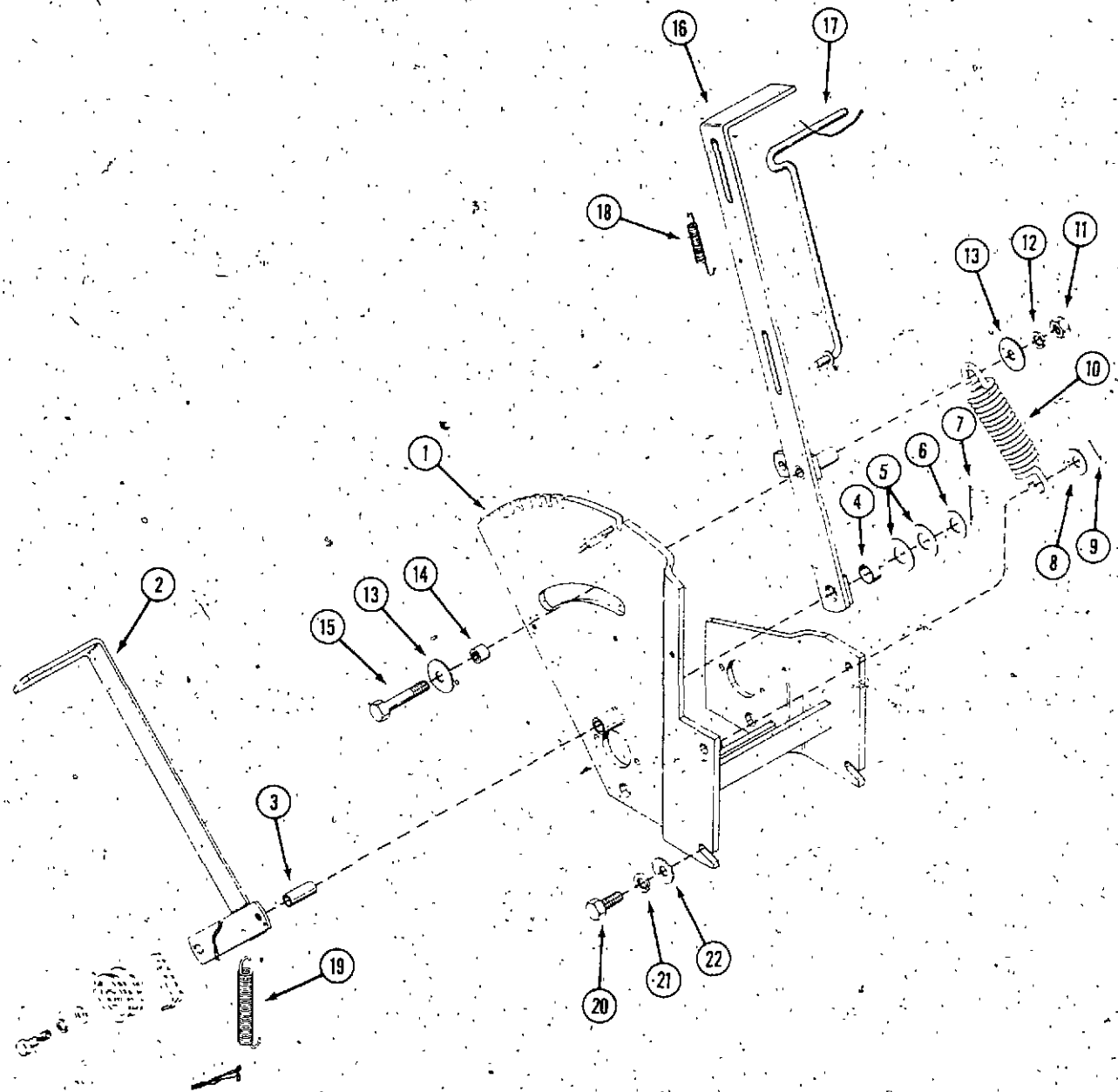
NOTE: See grid E2 for -  
J72 Tiller P.I.N. P30509 and after

NOTE: See grid G2 for -  
J74 Tiller

MODEL DESIGNATION	TRACTOR APPLICATION			
	210			
J72 Rotary Tiller	X			

FRAME AND LEVERS

REF.	PART NO.	DESCRIPTION	REQ'D
1	C 19393	FRAME - tiller hitch	1
2	C 19152	LEVER - idler arm	1
3	C 19388	BUSHING - bearing	1
4	C 19389	BUSHING - bearing	1
5	195- 549	WASHER - 7/8" plain	2
6	195- 106	WASHER - plain	1
7	132- 310	PIN - cotter 1/8" x 1"	1
8	195- 545	WASHER - 3/4" plain	1
9	132- 306	PIN - cotter 3/16" x 1-3/4"	1
10	C 19501	SPRING - assist	1
11	129- 105	NUT - 1/2" NC hex.	1
12	192- 23	LOCKWASHER - 1/2"	1
13	195- 106	WASHER - 1/2" plain x 1-3/8" O.D.	2
14	C 19612	SLEEVE	1
15	113- 447	BOLT - 1/2" x 3-1/2"	1
16	C 19385	LEVER - lift	1
17	C 19382	ROD - tiller catch	1
18	C 19530	SPRING - tiller catch	2
19	C 15671	SPRING - clutch	1
20	113- 417	BOLT - 1/2" x 1-1/4" NC hex.	4
21	192- 23	LOCKWASHER - 1/2"	4
22	195- 533	WASHER - 1/2" plain	4

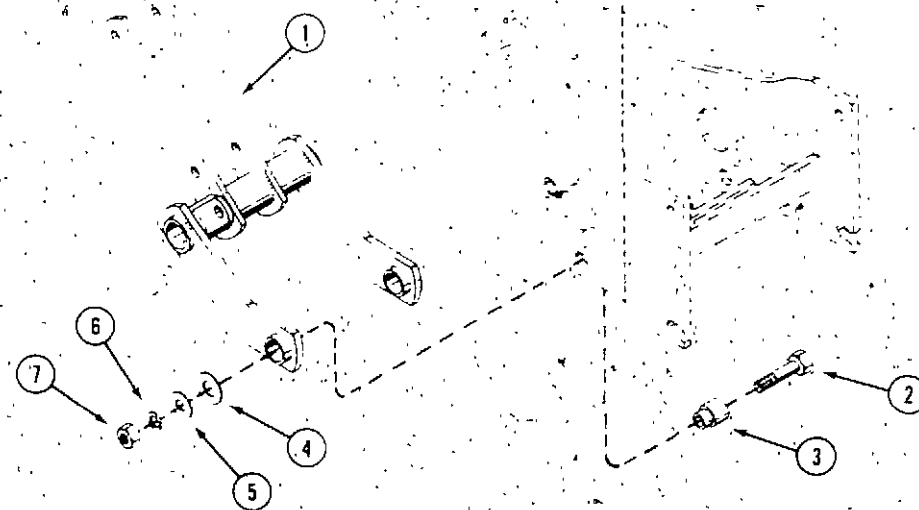
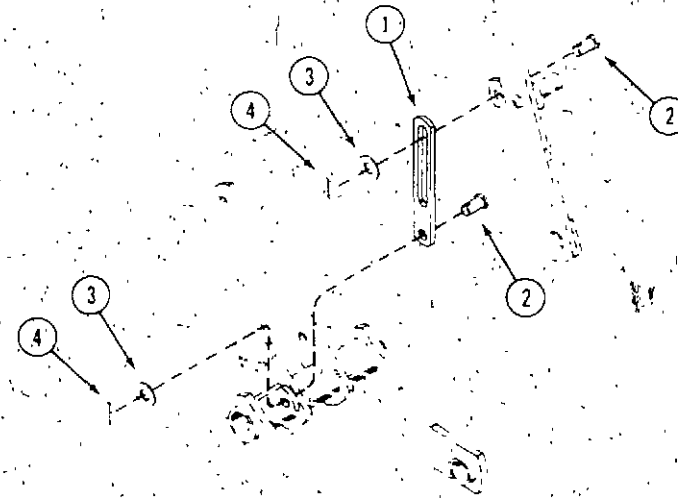


LINK LIFT

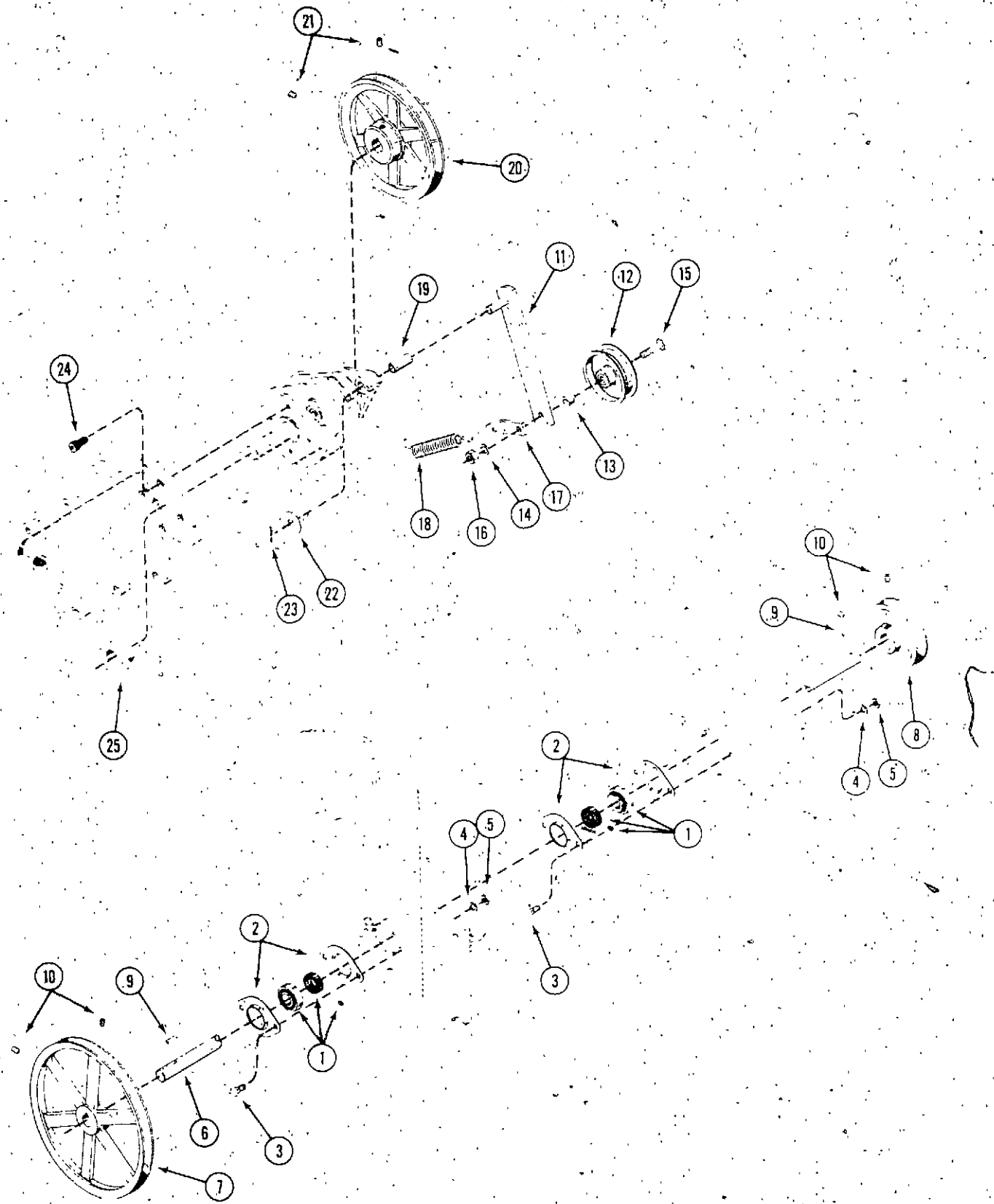
REF.	PART NO.	DESCRIPTION	REQ'D.
1	C 18315	LINK - lift	1
2	C 10821	PIN - clevis 1/2" x 7/8"	2
3	195- 534	WASHER - 1/2" plain	2
4	132- 310	PIN - cotter 1/8" x 1"	2

HITCH

1	C 19121	HITCH - tiller	1
2	113- 441	BOLT - 1/2" x 2-1/4" NC hex.	2
3	C 18770	SLEEVE - pivot	2
4	195- 545	WASHER - 3/4" plain	2
5	195- 534	WASHER - 1/2" plain	2
6	192- 23	LOCKWASHER - 1/2"	2
7	129- 105	NUT - 1/2" NC hex.	2

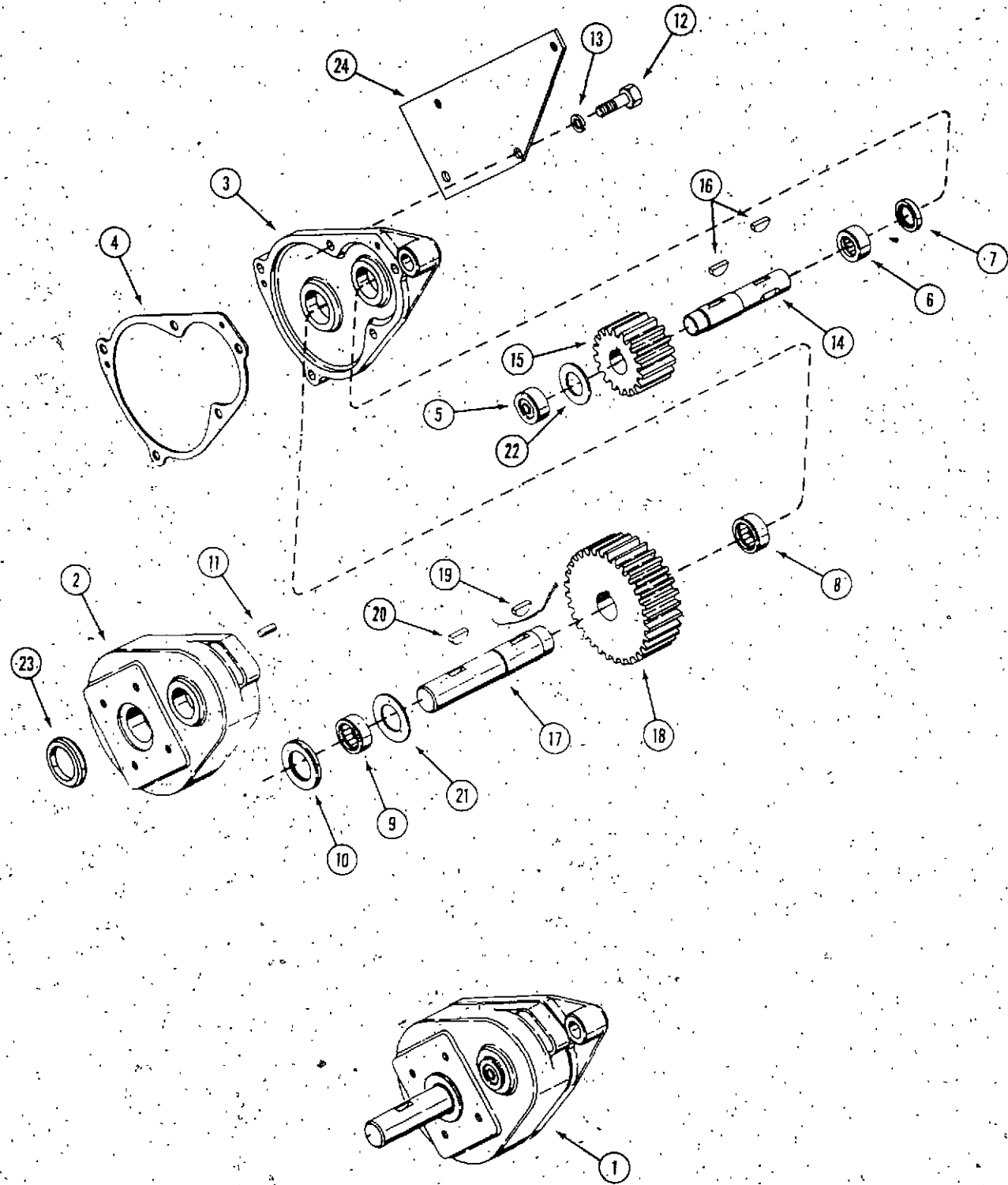


DRIVE SHAFT, GEAR BOX PULLEY AND IDLER



REF.	PART NO.	DESCRIPTION	REQ'D
1	C 14419	BEARING - 3/4" bore (includes locking collar and setscrew)	2
2	C 15514	FLANGETTE	4
3	111- 243	BOLT - 5/16" x 1" round head square neck NC	4
4	192- 20	LOCKWASHER - 5/16"	4
5	129- 102	NUT - 5/16" NC hex.	4
6	C 19147	SHAFT - tiller drive	1
7	C 19149	PULLEY - right end of shaft	1
8	C 19151	PULLEY - left end of shaft	1
9	126- 16	KEY - woodruff No. 9	2
10	178- 858	SETSCREW - 5/16" x 3/8" cupped point	4
11	C 22291	IDLER ARM	1
12	C 18966	PULLEY - idler	1
13	C 16573	SPACER	1
14	192- 21	LOCKWASHER - 3/8"	1
15	113- 213	BOLT - 3/8" x 2-1/4" NC hex.	1
16	129- 103	NUT - 3/8" NC hex.	1
17	C 15545	BRACKET - spring attaching	1
18	C 16885	SPRING - idler	1
19	C 16714	BEARING - sleeve	1
20	C 19160	PULLEY - gearbox input	1
21	178- 858	SETSCREW - 5/16" NC x 3/8" knurled cup point	2
22	195- 533	WASHER - 1/2" flat	1
23	132- 310	PIN - cotter 1/8" x 1"	1
24	61- 612	SCREW - socket head cap. 3/8" NC x 3/4"	4
25	C 12523	SPROCKET - drive No. 50, 11 tooth (w/setscrew)	1

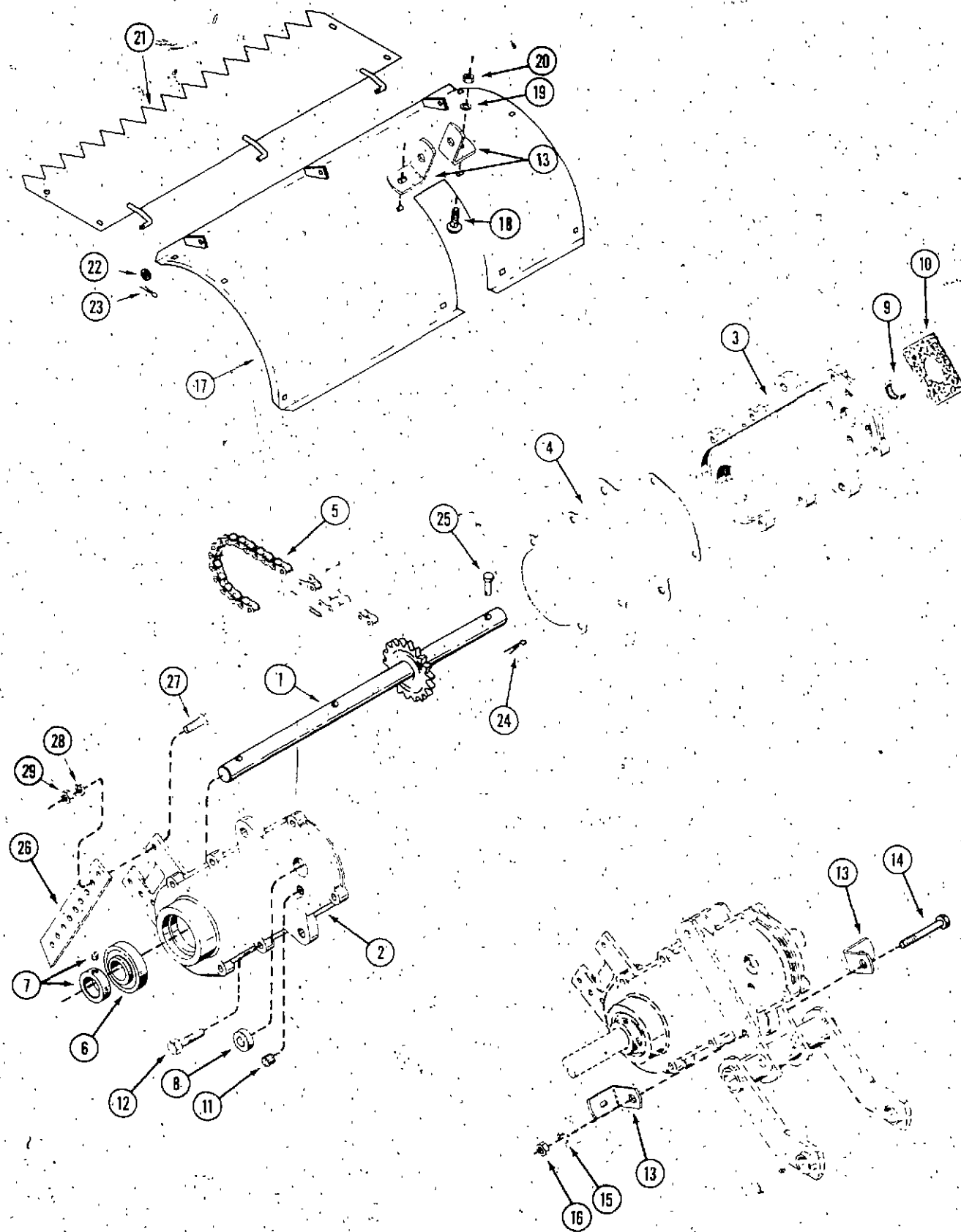
GEAR BOX

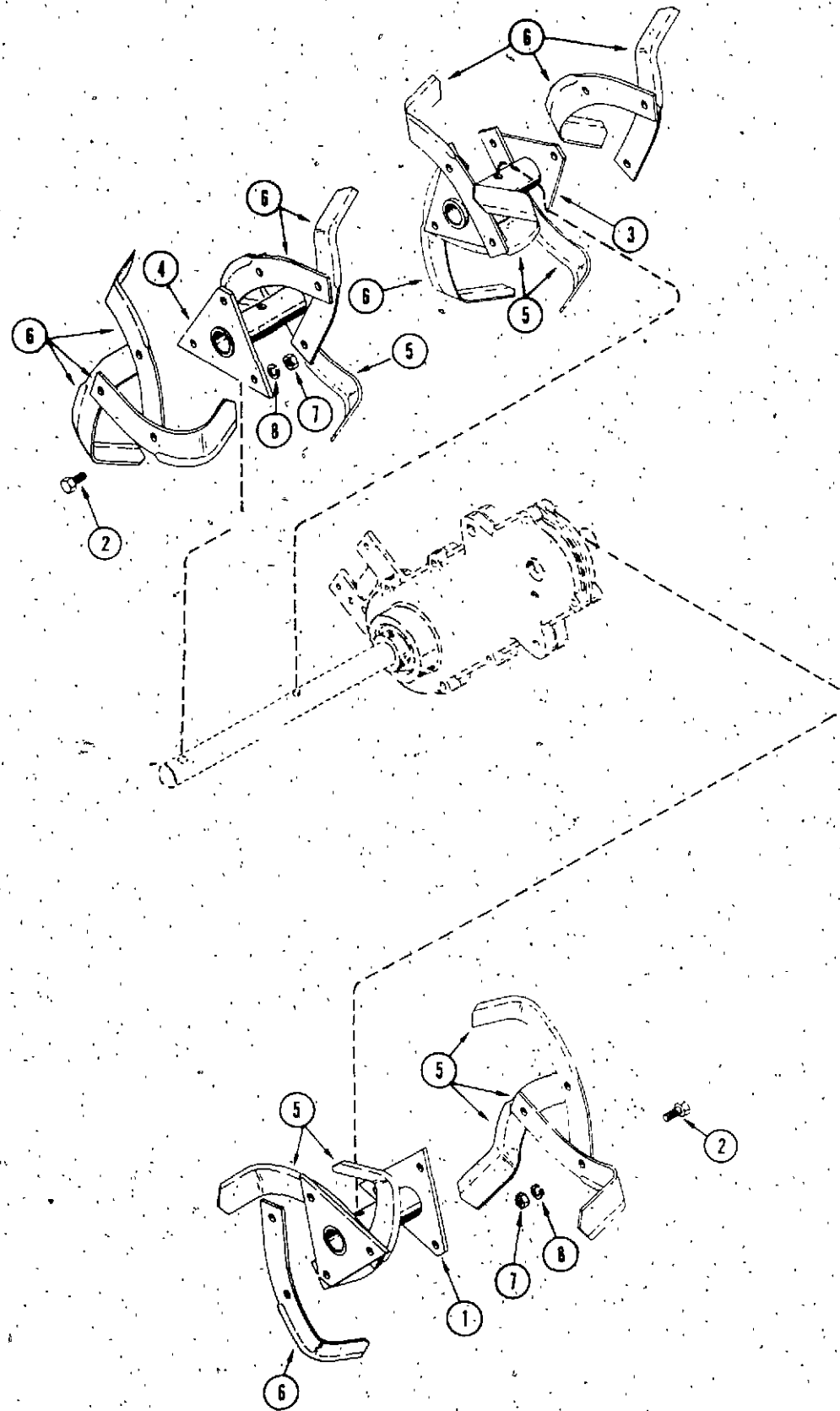


REF.	PART NO.	DESCRIPTION	REQ'D.
1.	C 19128	GEAR BOX ASSEMBLY - matched	1
2.	C 19129	GEAR BOX - tiller	1
3.	C 19130	COVER - gear box	1
4.	C 19131	GASKET - gear box	1
5.	C 19132	BEARINGS - needle, closed end	1
6.	A 30588	BEARING - needle, open end	1
7.	A 56340	SEAL - oil	1
8.	C 14107	BEARING - needle, closed end	1
9.	C 14070	BEARING - needle, open end	1
10.	C 19134	SEAL - oil	1
11.	A 30589	PIN - dowel 1/4" x 1"	2
12.	113- 208	BOLT - 3/8" x 1-1/4" NC hex.	5
13.	192- 21	LOCKWASHER - 3/8"	5
	NSS	SHAFT ASS'LY - input (order items 14, 15, and 16)	1
14.	C 19136	SHAFT - input	1
15.	C 19137	GEAR - spur, 18 teeth	1
16.	126- 16	KEY - woodruff No. 9	2
	NSS	SHAFT ASS'LY - output (order items 17, 18, 19, and 20)	1
17.	C 19139	SHAFT - output	1
18.	C 19140	GEAR - spur, 32 teeth	1
19.	126- 17	KEY - woodruff No. 9	1
20.	126- 124	KEY - woodruff No. 15	1
21.	C 19142	BEARING - thrust	1
22.	C 19141	BEARING - thrust	1
23.	C 19133	PILOT - gear box	1
24.	C 19148	BRACKET - belt guard	1

SHIELD AND CHAIN CASE

REF.	PART NO.	DESCRIPTION	REQ'D
1	C 14668	SHAFT - tiller tine (includes sprocket)	1
2	C 14100	HOUSING - right hand	1
3	C 14101	HOUSING - left hand	1
4	C 12515	GASKET - housing	1
5		CHAIN - roller, 56 links No. 50 roller - USE:	
	B 12474	CHAIN - 50 links No. 50 roller chain	
	B 12477	CHAIN - 6 links, No. 50 roller chain	
	B 12505	LINK - connecting, No. 50 roller chain	
	B 12506	LINK - offset, No. 50 roller chain	
	B 12507	LINK - roller, No. 50 roller chain	
	B 12508	LOCK SPRING-CLIPS - (pkg. of 25) for No. 50 roller chain	
6	C 10405	BEARING - tiller shaft	2
7	0885 CB	COLLAR - w/set screw	2
8	C 14107	BEARING - needle (presses into C 14100)	1
9	C 14070	BEARING - needle (presses into C 14101)	1
10	A 70128	GASKET - gear box	1
11	221- 43	PLUG - grease, 3/8" NPT	1
12	113- 219	BOLT - 3/8" x 2" NC hex. (fastens housing halves)	6
13	C 11451	ANGLE - mounting	4
14	113- 440	BOLT - 1/2" x 4-1/4" NC hex.	2
15	192- 23	LOCKWASHER - 1/2"	2
16	129- 105	NUT - 1/2" NC hex.	2
17	C 14917	SHIELD - tiller	1
18	111- 517	BOLT - 1/2" x 1" round head square neck	4
19	192- 23	LOCKWASHER - 1/2"	4
20	129- 105	NUT - 1/2" NC hex.	4
21	C 14672	DRAG - tiller shield	1
22	195- 524	WASHER - 3/8" plain	2
23	132- 320	PIN - cotter, 3/32" x 3/4"	2
24	132- 47	PIN - cotter	3
25	C 21660	PIN - clevis, 7/16" x 2"	3
26	C 12528	TINE - retarding	1
27	113- 208	BOLT - 3/8" x 1-1/4" NC hex.	2
28	192- 21	LOCKWASHER - 3/8"	2
29	129- 103	NUT - 3/8" NC hex.	2
	A 70404	DECAL - "Caution Spinning Blade"	1
	321- 1571	DECAL - "CASE"	1



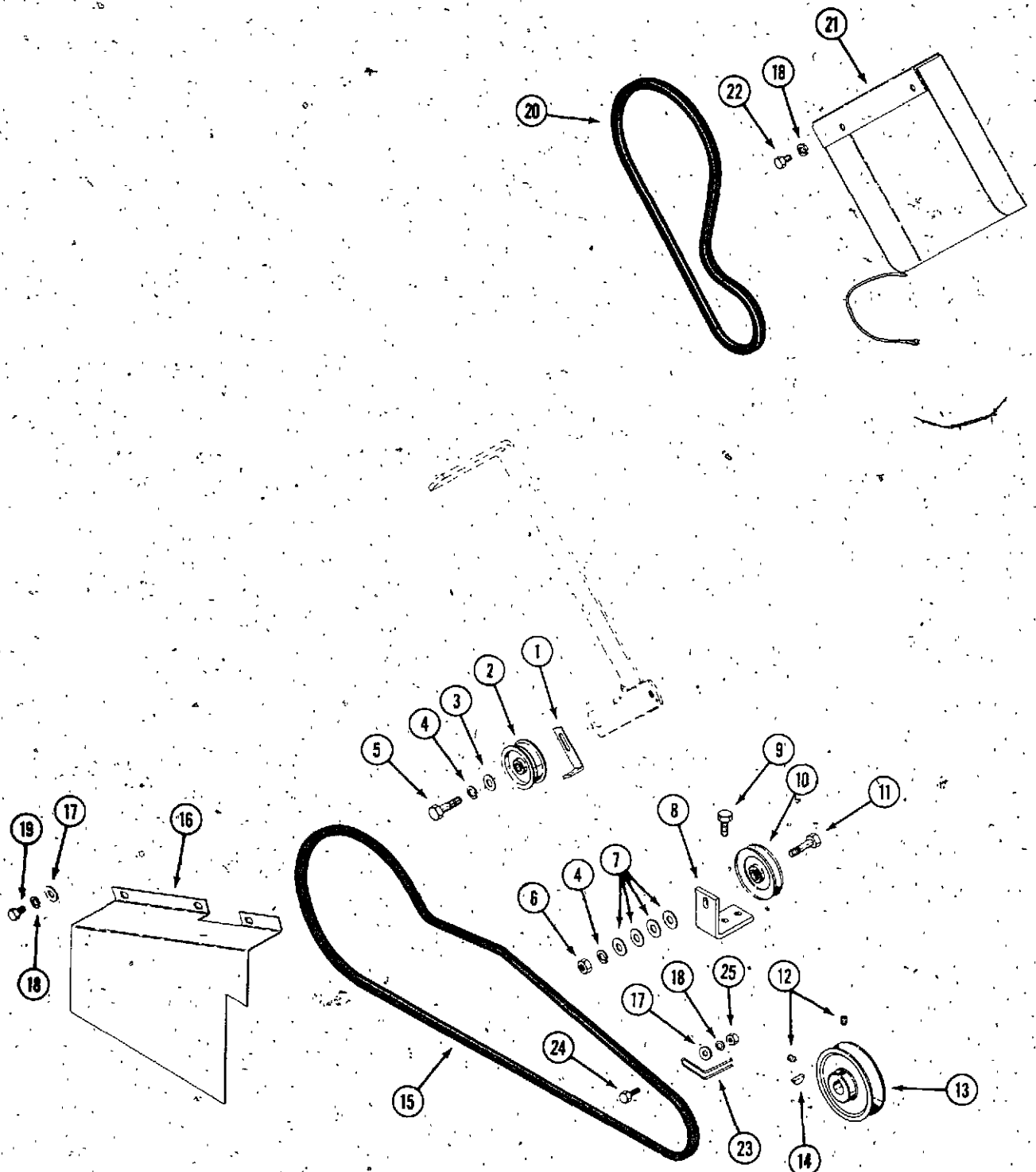


ROTARY TILLER TINE ASSEMBLY

REF.	PART NO.	DESCRIPTION	REQ'D
1	C 14674	HUB - left outside	1
2	113- 208	BOLT - 3/8" x 1-1/2" NC hex ZP	18
3	C 14669	HUB - right inside	1
4	C 14667	HUB - right outside	1
5	C 13833	TINE - right	8
6	C 13834	TINE - left	10
7	129- 103	NUT - 3/8" NC hex ZP	18
8	192- 21	LOCKWASHER - 3/8" ZP	18

**IDLERS, BELTS AND GUARDS**

REF.	PART NO.	DESCRIPTION	REQ'D
1	C 17164	KEEPER - belt	1
2	C 15672	PULLEY - idler, flat	1
3	195- 104	WASHER - 3/8" plain	2
4	192- 21	LOCKWASHER - 1/2"	2
5	113- 209	BOLT - 3/8" x 1-1/2" NC hex.	1
6	129- 103	NUT - 3/8" NC hex	1
7	195- 103	WASHER - 3/8" plain	4
8	C 19527	BRACKET - idler pulley	1
9	113- 207	BOLT - 3/8" x 1" NC hex. (replaces transaxle bolts)	2
10	C 17213	PULLEY - idler, V	1
11	113- 219	BOLT - 3/8" x 2" NC hex.	1
12	178- 858	SETSCREW - 5/16" NC x 3/8" knurled cup point	2
13	C 18968	PULLEY - tractor jackshaft (use with tractor prior to S/N 9686461) included with tiller	1
13	C 23336	PULLEY - tractor jackshaft (use with tractor S/N 9686461 and after) requires 138-2040 roll pin	1
14	126- 16	KEY - woodruff No. 9	1
15	C 19161	BELT - tiller clutching	1
16	C 19618	GUARD - belt	1
17	195- 52T	WASHER - 5/16" plain	4
18	192- 20	LOCKWASHER - 5/16"	6
19	113- 101	BOLT - 5/16" x 1/2" NC hex.	3
20	C 19162	BELT - tiller drive	1
21	C 19164	GUARD - belt tiller	1
22	113- 101	BOLT - 5/16" x 1/2" NC hex.	2
23	C 15252	KEEPER - wire (goes inside tractor belt guard)	1
24	113- 103	BOLT - 5/16" x 1"	1
25	129- 102	NUT - 5/16" NC hex.	1



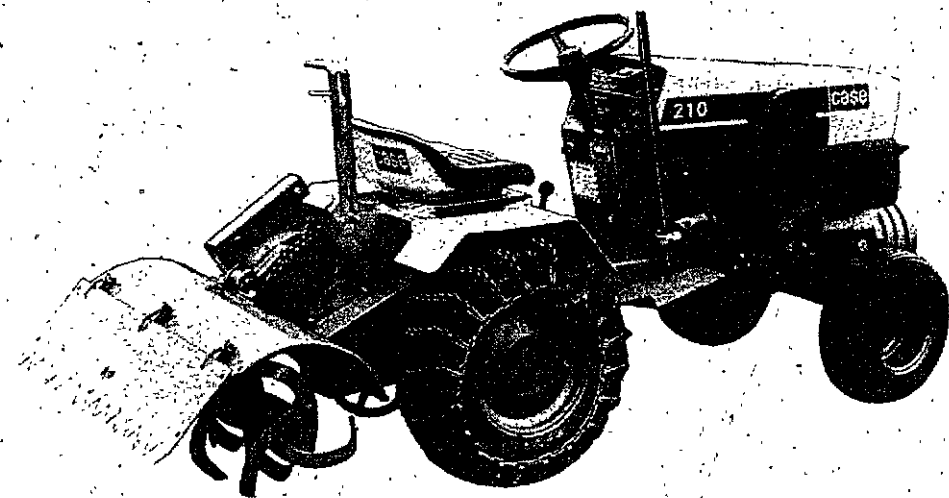


## NUMERICAL INDEX

PART NO.	PAGE NO.	REF. NO.	PART NO.	PAGE NO.	REF. NO.	PART NO.	PAGE NO.	REF. NO.			
A	30588	11	6	C	19157	9	11	192-	21	9	14
A	30589	11	11	C	19160	9	20	192-	21	11	13
A	56340	11	7	C	19161	17	15	192-	21	13	28
A	70128	13	10	C	19162	17	20	192-	21	15	8
A	70404	13		C	19164	17	21	192-	21	17	4
B	12474	13	5	C	19382	5	17	192-	23	5	12
B	12477	13	5	C	19385	5	16	192-	23	5	21
B	12505	13	5	C	19388	5	3	192-	23	7	6
B	12506	13	5	C	19389	5	4	192-	23	13	15
B	12507	13	5	C	19393	5	1	192-	23	13	19
B	12508	13	5	C	19501	5	10	195-	103	17	7
C	10405	13	6	C	19527	17	8	195-	104	17	3
C	10821	7	2	C	19530	5	18	195-	106	5	6
C	11451	13	13	C	19612	5	14	195-	106	5	13
C	12515	13	4	C	19618	17	16	195-	521	17	17
C	12523	9	25	C	21660	13	25	195-	524	13	22
C	12528	13	26	C	22291	9	11	195-	533	5	22
C	13833	15	5	C	23336	17	13	195-	533	9	22
C	13834	15	6	O-	885-CB	13	7	195-	534	7	3
C	14070	11	9	<b>HARDWARE CODE NUMBERS</b>				195-	534	7	5
C	14070	13	9	61-	612	9	24	195-	545	5	8
C	14100	13	2	111-	243	9	3	195-	545	7	4
C	14101	13	3	111-	517	13	18	195-	549	5	5
C	14107	11	8	113-	101	17	19	221-	43	13	11
C	14107	13	8	113-	101	17	22	321-	1571	13	
C	14419	9	1	113-	103	17	24				
C	14667	15	4	113-	207	17	9				
C	14668	13	1	113-	207	17	9				
C	14669	15	3	113-	208	11	12				
C	14672	13	21	113-	208	13	27				
C	14674	15	1	113-	208	15	2				
C	14917	13	17	113-	209	17	5				
C	15252	17	23	113-	213	9	15				
C	15514	9	2	113-	219	13	12				
C	15545	9	17	113-	219	17	11				
C	15671	5	19	113-	417	5	20				
C	15672	17	2	113-	440	13	14				
C	16573	9	13	113-	441	7	2				
C	16714	9	19	113-	447	5	15				
C	16885	9	18	126-	16	9	9				
C	17164	17	1	126-	16	11	16				
C	17213	17	10	126-	16	17	14				
C	18315	7	1	126-	17	11	19				
C	18770	7	3	126-	124	11	20				
C	18966	9	12	129-	102	9	5				
C	18968	17	13	129-	102	17	25				
C	19121	7	1	129-	103	9	16				
C	19128	11	1	129-	103	13	29				
C	19129	11	2	129-	103	15	7				
C	19130	11	3	129-	103	17	6				
C	19131	11	4	129-	105	5	11				
C	19132	11	5	129-	105	7	7				
C	19133	11	23	129-	105	13	16				
C	19134	11	10	129-	105	13	20				
C	19136	11	14	132-	47	13	24				
C	19137	11	15	132-	306	5	9				
C	19139	11	17	132-	310	5	7				
C	19140	11	18	132-	310	7	4				
C	19141	11	22	132-	310	9	23				
C	19142	11	21	132-	320	13	23				
C	19147	9	6	178-	858	9	10				
C	19148	11	24	178-	858	9	21				
C	19149	9	7	178-	858	17	12				
C	19151	9	8	192-	20	9	4				
C	19152	5	2	192-	20	17	18				

**J72 ROTARY TILLER**  
**S/N P30509 AND AFTER**  
**FOR 210 COMPACT TRACTORS**  
**Parts Catalog No. 1309**

Print Shop 2500 5-75



**ALPHABETICAL INDEX**

	PAGE	GRID
Bearing, Tiller Case .....	13	E12
Belts .....	17	F2
Frame, Hitch .....	5	E4
Gear Box .....	11	E10
Guards .....	17	F2
Hitch, Tiller .....	7	E6
Housing, Tiller .....	13	E12
Lever, Clutch .....	5	E4
Lever, Lift .....	5	E4
Pulleys and Idlers .....	9	E8
Shaft, Tine .....	13	E12
Shield, Tine .....	13	E12
Sprockets, Tiller Housing .....	13	E12
Tines, Tiller .....	15	E14

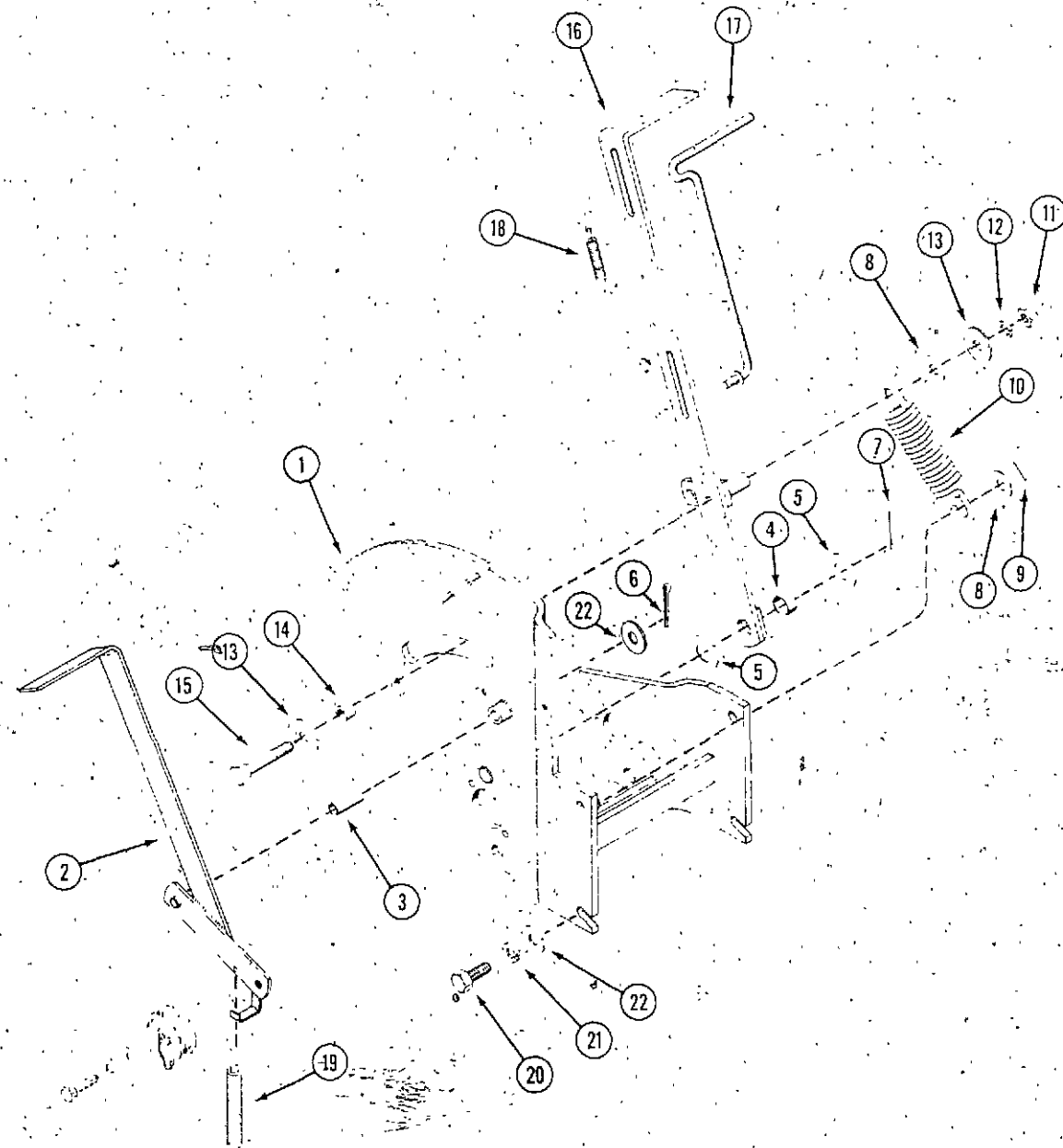
**NOTE:** See grid A2 for -  
 F70, H70, J70 Tillers

**NOTE:** See grid C2 for -  
 J72 Tiller prior to P.I.N. P30509

**NOTE:** See grid G2 for -  
 J74 Tiller

MODEL DESIGNATION	TRACTOR APPLICATION			
	210			
J72 Rotary-Tiller	X			

FRAME AND LEVERS



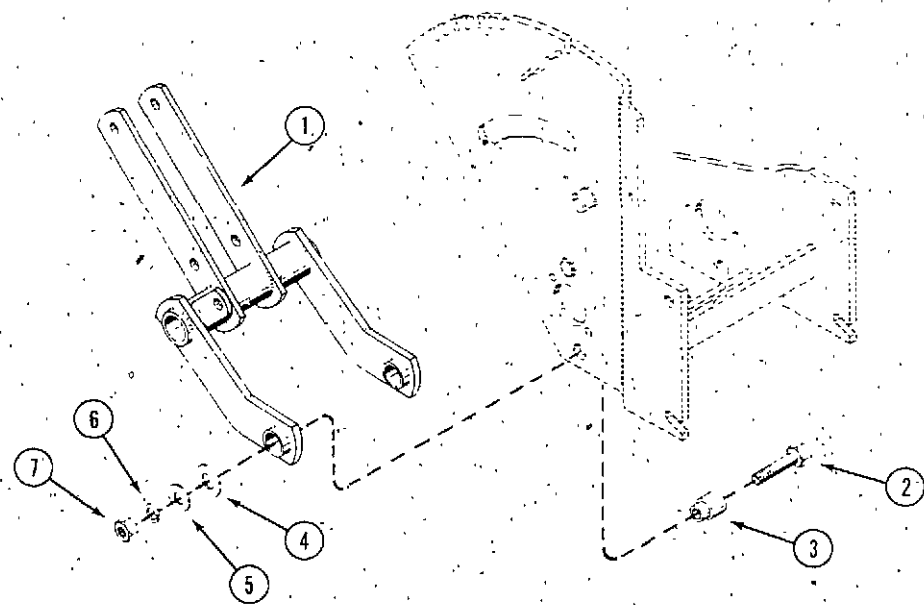
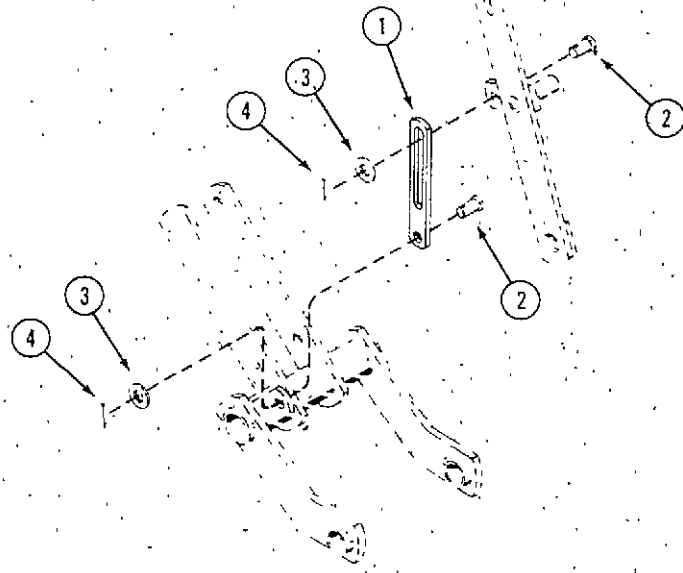
REF.	PART NO.	DESCRIPTION	REQ'D
1	C 22280	FRAME - tiller hitch	1
2	C 22285	LEVER - idler arm	1
3	C 22293	BUSHING - bearing	1
4	C 19389	BUSHING - bearing	1
5	195- 549	WASHER - 7/8" plain	2
6	132- 310	PIN - cotter	1
7	132- 336	PIN - cotter 1/8" x 1 1/2"	1
8	195- 545	WASHER - 3/4" plain	2
9	132- 306	PIN - cotter 3/16" x 1-3/4"	1
10	C 19501	SPRING - assist	1
11	129- 105	NUT - 1/2" NC hex.	1
12	192- 23	LOCKWASHER - 1/2"	1
13	195- 106	WASHER - 1/2" plain x 1-3/8" O.D.	2
14	C 19612	SLEEVE	1
15	113- 447	BOLT - 1/2" x 3-1/2"	1
16	C 19385	LEVER - lift	1
17	C 19382	ROD - tiller catch	1
18	C 19530	SPRING - tiller catch	1
19	C 15671	SPRING - clutch	1
20	113- 417	BOLT - 1/2" x 1-1/4" NC hex.	4
21	192- 23	LOCKWASHER - 1/2"	4
22	195- 533	WASHER - 1/2" plain	4

**LINK LIFT**

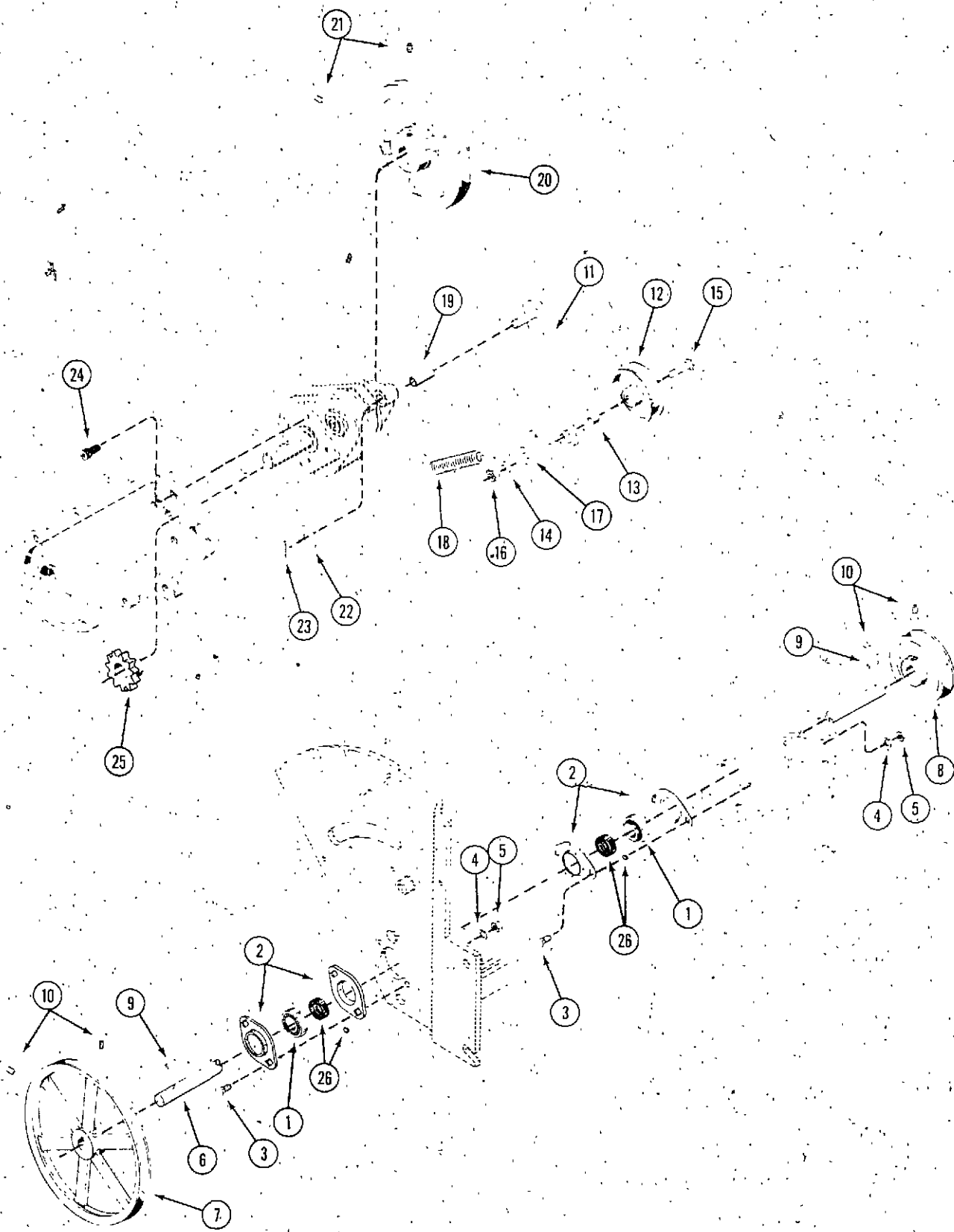
REF.	PART NO.	DESCRIPTION	REQ'D.
1	C 18315	LINK - lift	1
2	C 10821	PIN - clevis 1/2" x 7/8"	2
3	195- 534	WASHER - 1/2" plain	2
4	132- 310	PIN - cotter 1/8" x 1"	2

**HITCH**

1	C 19121	HITCH - tiller	1
2	113- 441	BOLT - 1/2" x 2-1/4" NC hex.	2
3	C 18770	SLEEVE - pivot	2
4	195- 545	WASHER - 3/4" plain	2
5	195- 534	WASHER - 1/2" plain	2
6	192- 23	LOCKWASHER - 1/2"	2
7	129- 105	NUT - 1/2" NC hex.	2



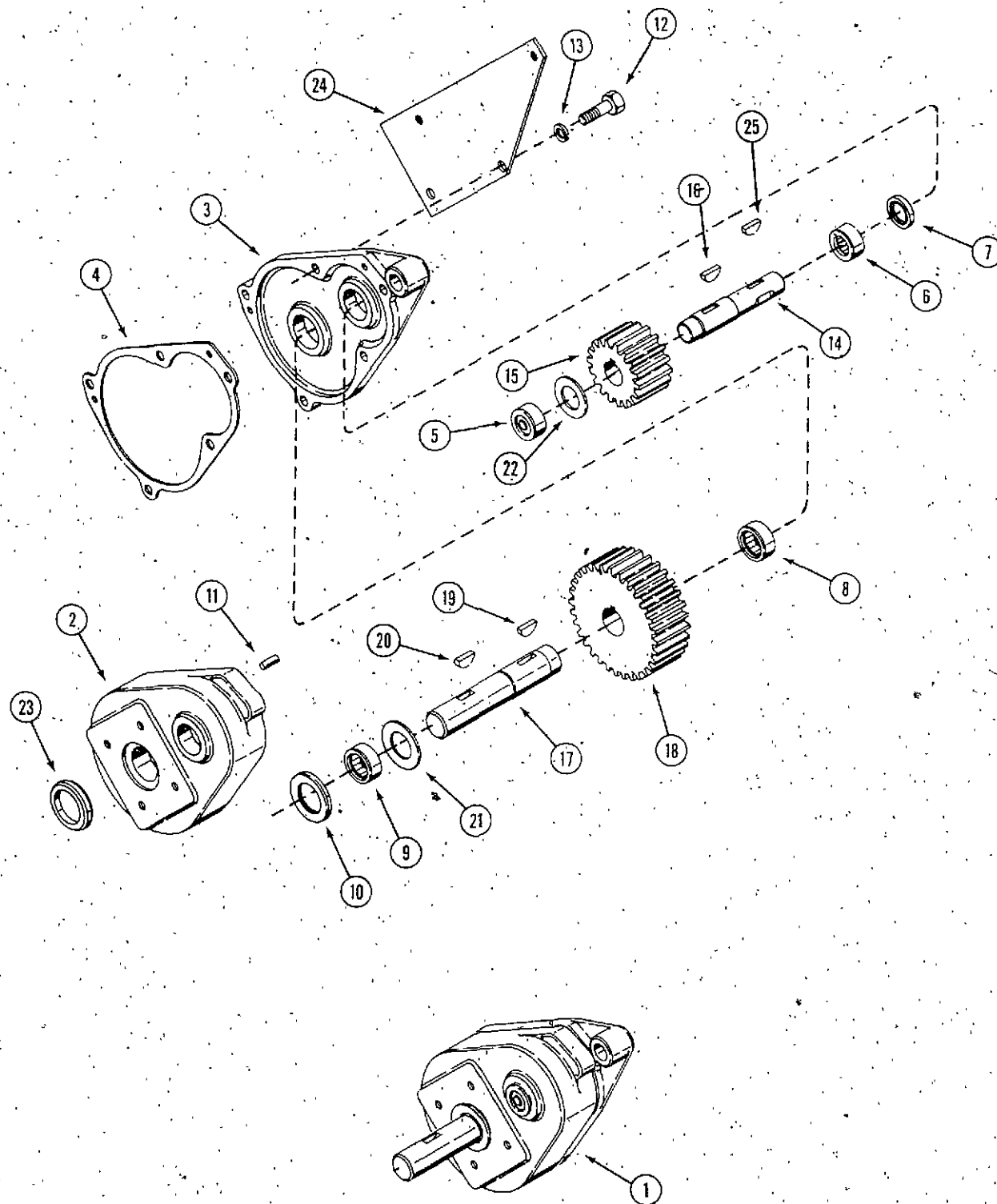
DRIVE SHAFT, GEAR BOX PULLEY AND IDLER



REF.	PART NO.	DESCRIPTION	REQ'D.
1	C 21681	BEARING - 3/4" bore	2
2	C 15514	FLANGETTE	4
3	111- 243	BOLT - 5/16" x 1" round head square neck NC	4
4	192- 20	LOCKWASHER - 5/16"	4
5	120- 102	NUT - 5/16" NC hex	4
6	C 19147	SHAFT - tiller drive	1
7	C 19149	PULLEY - right end of shaft	1
8	C 19151	PULLEY - left end of shaft	1
9	126- 16	KEY - woodruff No. 9	2
10	178- 858	SETSCREW - 5/16" x 3/8" cupped point	4
11	C 22291	IDLER ARM	1
12	C 18966	PULLEY - idler	1
13	C 16573	SPACER	1
14	192- 21	LOCKWASHER - 3/8"	1
15	113- 213	BOLT - 3/8" x 2-1/4" NC hex	1
16	129- 103	NUT - 3/8" NC hex	1
17	195- 104	WASHER - 3/8"	1
18	C 16885	SPRING - idler	1
19	C 16714	BEARING - sleeve	1
20	C 19160	PULLEY - gearbox input	1
21	178- 858	SETSCREW - 5/16" NC x 3/8" knurled cup point	2
22	195- 533	WASHER - 1/2" flat	1
23	132- 310	PIN - cotter 1/8" x 1"	1
24	61- 612	SCREW - socket head cap. 3/8" NC x 3/4"	4
25	C 12523	SPROCKET - drive No. 50, 11 tooth (w/setscrew)	1
26	C 21795	COLLAR - locking (includes setscrew)	2

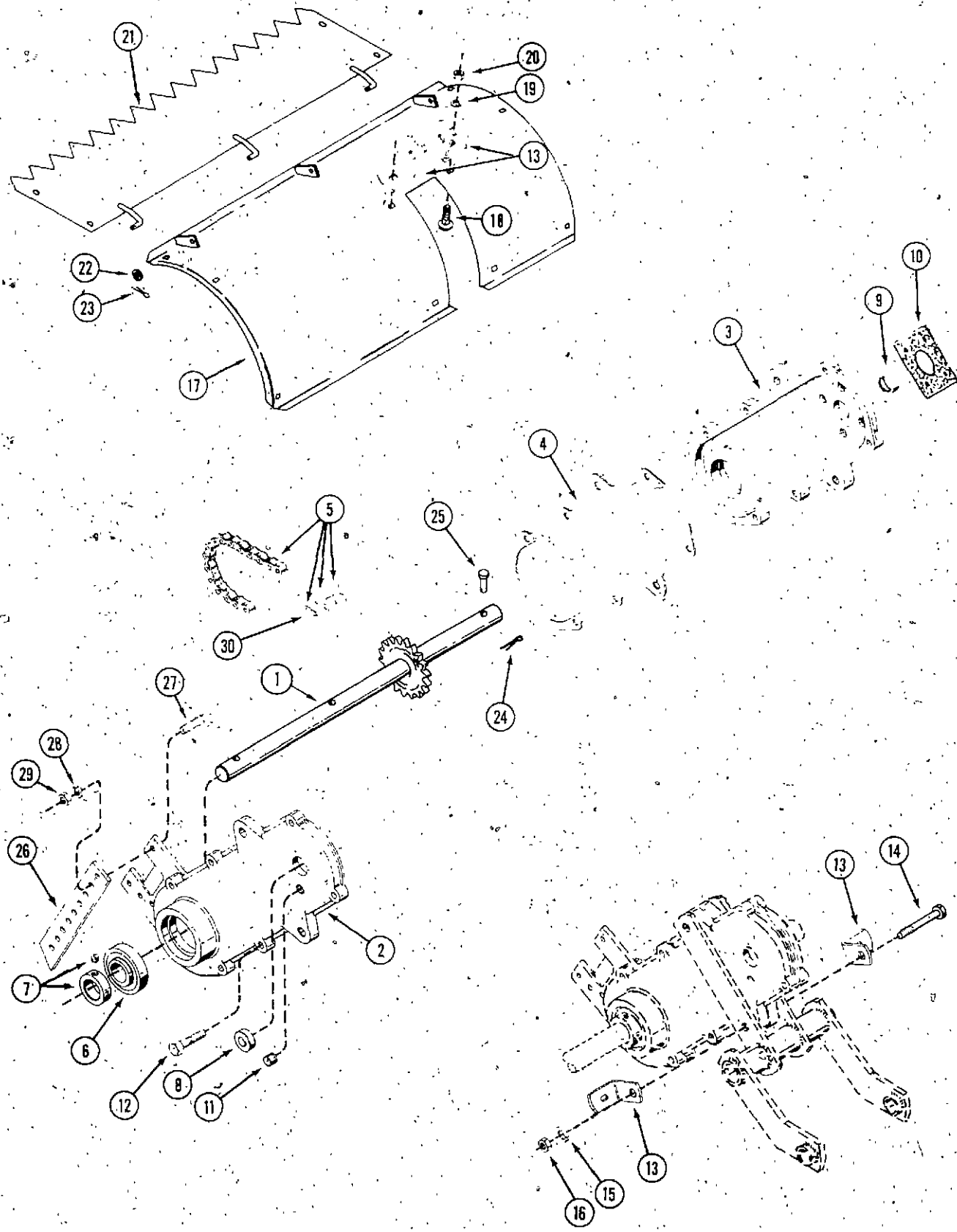
GEAR BOX

REF.	PART NO.	DESCRIPTION	REQ'D.
1	C 19128	GEAR BOX ASSEMBLY - matched	1
2	C 19129	GEAR BOX - tiller	1
3	C 19130	COVER - gear box	1
4	C 19131	GASKET - gear box	1
5	C 19132	BEARINGS - needle, closed end	1
6	A 30588	BEARING - needle, open end	1
7	A 56340	SEAL - oil	1
8	C 14107	BEARING - needle, closed end	1
9	C 14070	BEARING - needle, open end	1
10	C 19134	SEAL - oil	1
11	A 30589	PIN - dowel 1/4" x 1"	2
12	113- 208	BOLT - 3/8" x 1-1/4" NC hex.	5
13	192- 21	LOCKWASHER - 3/8"	5
	NSS	SHAFT ASS'LY - input (order items 14, 15, and 16)	1
14	C 19136	SHAFT - input	1
15	C 19137	GEAR - spur, 18 teeth	1
16	126- 16	KEY - woodruff No. 9	1
	NSS	SHAFT ASS'LY - output (order items 17, 18, and 19)	1
17	C 19139	SHAFT - output	1
18	C 19140	GEAR - spur, 32 teeth	1
19	126- 17	KEY - woodruff No. 91	1
20	126- 124	KEY - woodruff No. 15	1
21	C 19142	BEARING - thrust	1
22	C 19141	BEARING - thrust	1
23	C 19133	PILOT - gear box	1
24	C 19148	BRACKET - belt guard	1
25	126- 16	KEY - woodruff No. 9	1

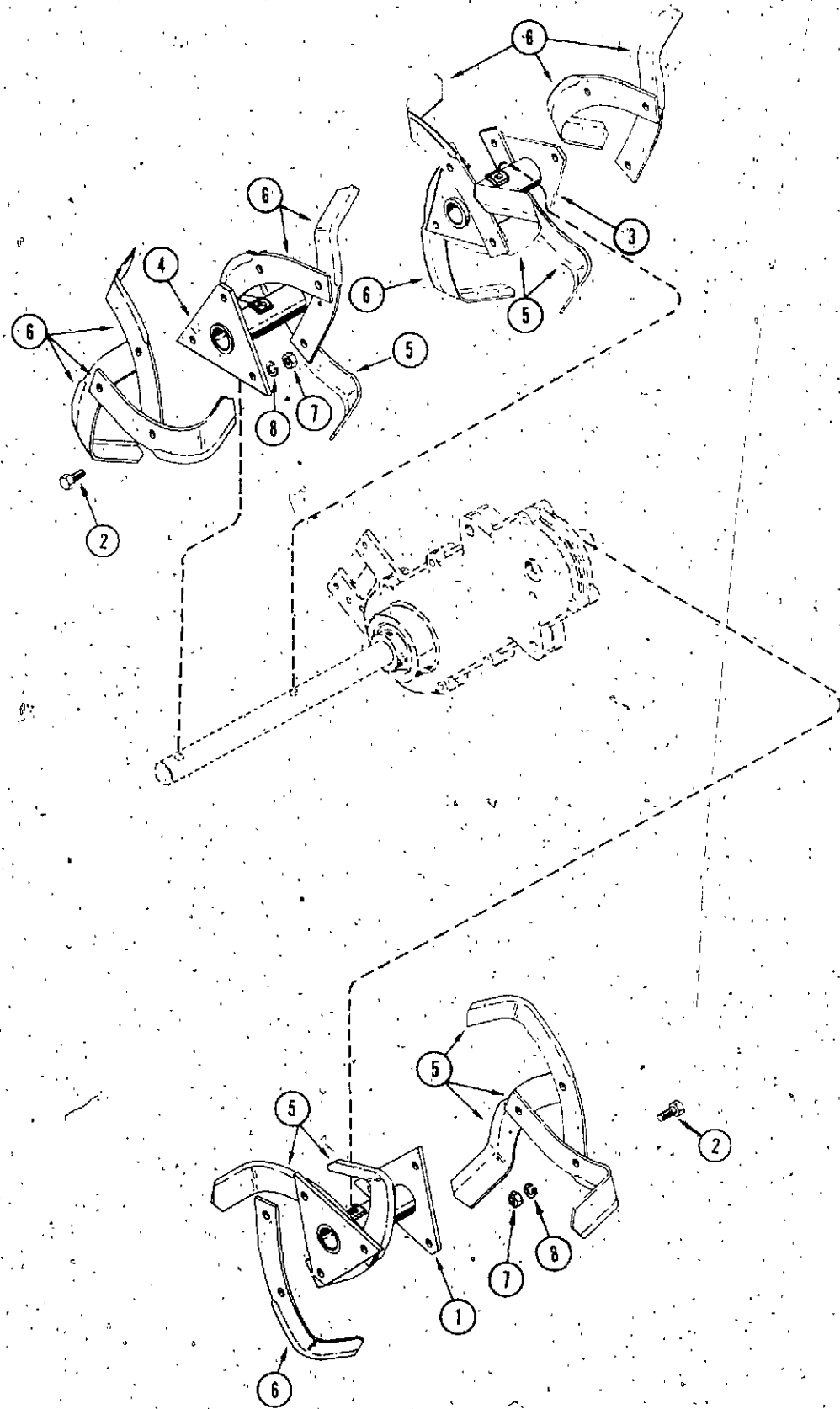


SHIELD AND CHAIN CASE

REF.	PART NO.	DESCRIPTION	REQ'D.
1	C 14668	SHAFT - tiller tine (includes sprocket)	1
2	C 14100	HOUSING - right hand	1
3	C 14101	HOUSING - left hand	1
4	C 12515	GASKET - housing	1
5	C	CHAIN - roller, 56 links, No. 50 roller - USE:	
	B 12474	CHAIN - 50 links No. 50 roller chain (includes connecting link)	
	B 12477	CHAIN - 6 links, No. 50 roller chain (includes connecting link)	
	B 12505	LINK - connecting, No. 50 roller chain	
6	C 10405	BEARING - tiller shaft	2
7	O 885CB	COLLAR - w/setscrew	2
8	C 14107	BEARING - needle (presses into C 14100)	1
9	C 14070	BEARING - needle (presses into C 14101)	1
10	A 70128	GASKET - gear box	1
11	221- 43	PLUG - grease, 3/8" NPT	1
12	113- 219	BOLT - 3/8" x 2" NC hex. (fastens housing halves)	6
13	C 11451	ANGLE - mounting	4
14	113- 440	BOLT - 1/2" x 4-1/4" NC hex.	2
15	192- 23	LOCKWASHER - 1/2"	2
16	129- 105	NUT - 1/2" NC hex	2
17	C 14917	SHIELD - tiller	1
18	111- 517	BOLT - 1/2" x 1" round head square neck	4
19	192- 23	LOCKWASHER - 1/2"	4
20	129- 105	NUT - 1/2" NC hex.	4
21	C 14672	DRAG - tiller shield	1
22	195- 524	WASHER - 3/8" plain	2
23	132- 308	PIN - cotter, 3/32" x 3/4"	2
24	132- 47	PIN - cotter	3
25	C 21660	PIN - clevis, 7/16" x 2"	3
26	C 12528	TINE - retarding	1
27	113- 208	BOLT - 3/8" x 1-1/4" NC hex.	2
28	192- 21	LOCKWASHER - 3/8"	2
29	129- 103	NUT - 3/8" NC hex.	2
30	B 12508	LOCK SPRING CLIPS - (pkg. of 25) for No. 50 roller chain	
	A 70404	DECAL - "Caution Spinning Blade"	1
	321- 1571	DECAL - "CASE"	1



ROTARY TILLER TINE ASSEMBLY

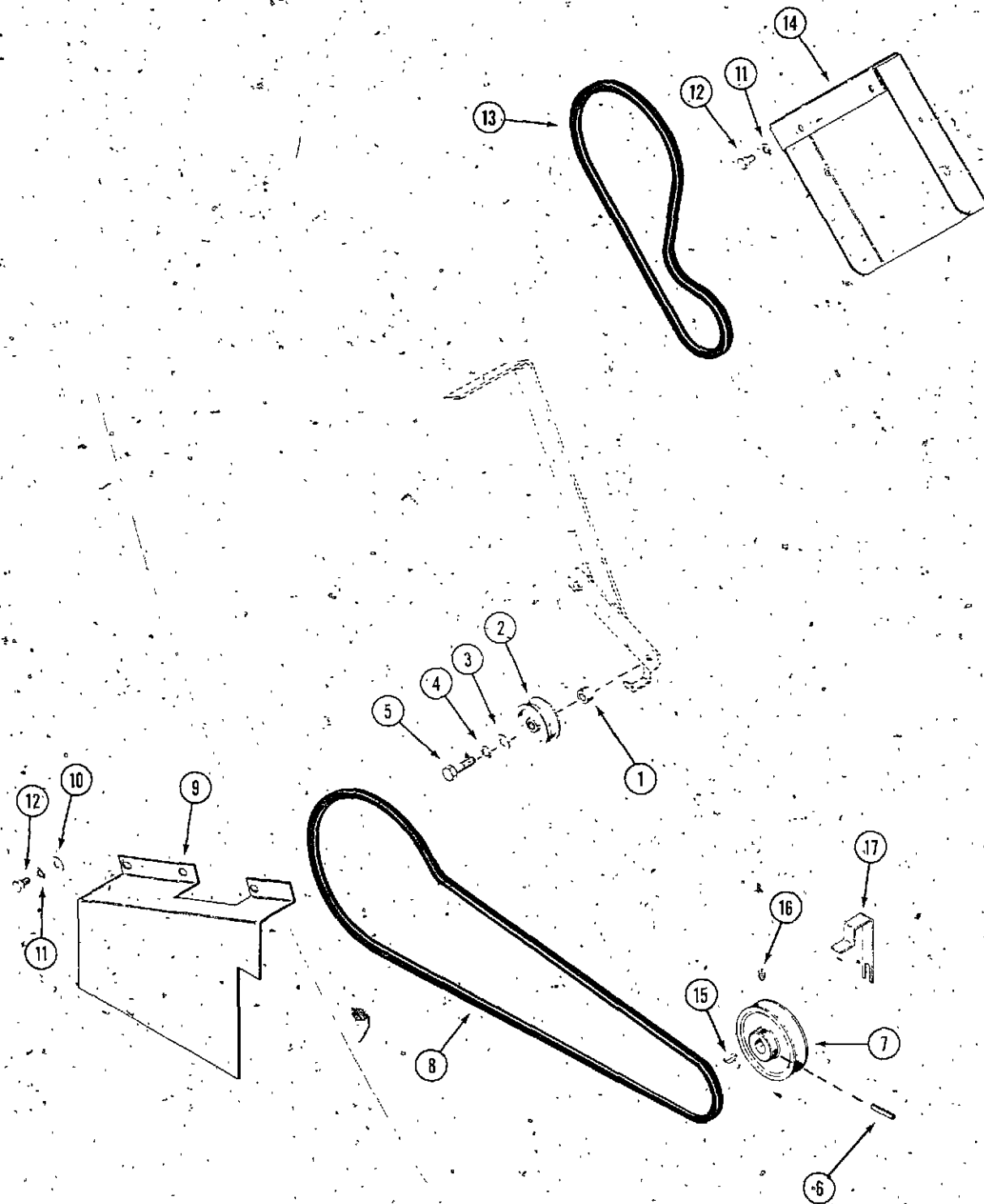


REF.	PART NO.	DESCRIPTION	REQ'D.
1	C 14674	HUB - left outside	1
2	113- 208	BOLT - 3/8" x 1-1/2" NC hex. ZP	18
3	C 14669	HUB - right inside	1
4	C 14667	HUB - right outside	1
5	C 13833	TINE - right	8
6	C 13834	TINE - left	10
7	129- 103	NUT - 3/8" NC hex. ZP	18
8	192- 21	LOCKWASHER - 3/8" ZP	18



**IDLERS, BELTS AND GUARDS**

REF.	PART NO.	DESCRIPTION	REQ'D.
1	VB 1135	SPACER	1
2	C 15672	PULLEY - idler, flat	1
3	195- 104	WASHER - 3/8" plain	2
4	192- 21	LOCKWASHER - 3/8"	1
5	113- 233	BOLT - 3/8" x 1-3/4" NC hex.	1
6	138- 2040	PIN - roll 1/4" x 1-1/2" (use with C23336 pulley)	1
7	C 18968	PULLEY - tractor jackshaft (included with tiller prior to S/N P30701 and used on tractor prior to S/N 9686461)	1
7	C 23336	PULLEY - tractor jackshaft (included with tiller S/N P30701 and after, used on tractor S/N 9686461 and after) requires 138-2040 roll pin	1
8	C 19161	BELT - tiller clutching	1
9	C 22289	GUARD - belt	1
10	195- 521	WASHER - 5/16" plain	4
11	192- 20	LOCKWASHER - 5/16"	6
12	113- 101	BOLT - 5/16" x 1/2" NC hex.	5
13	C 19162	BELT - tiller drive	1
14	C 19164	GUARD - belt, tiller	1
15	126- 16	KEY - woodruff (used with C18968 pulleys)	1
16	178- 858	SETSCREW - 5/16" x 3/8" (used with C18968 pulley)	2
17	C 23878	KEEPER - belt (mounts on tractor)	1



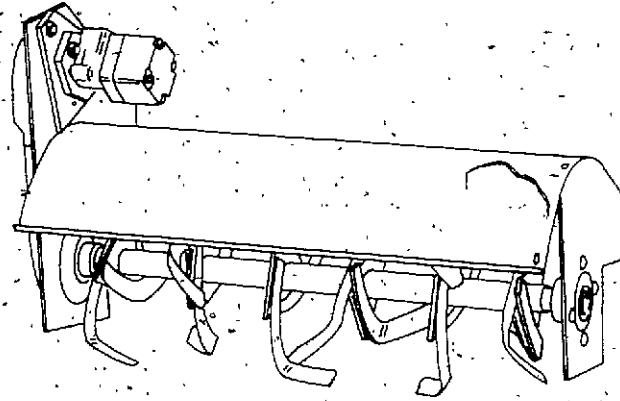
# NUMERICAL INDEX

PART NO.	PAGE NO.	REF. NO.	PART NO.	PAGE NO.	REF. NO.	PART NO.	PAGE NO.	REF. NO.			
A	30588	11	6	C	19501	5	10	192-	21	15	8
A	30589	11	11	C	19530	5	18	192-	21	17	4
A	56340	11	7	C	19612	5	14	192-	23	5	12
A	70128	13	10	C	21660	13	25	192-	23	5	21
A	70404	13	-	C	21681	9	1	192-	23	7	6
B	12474	13	-	C	21795	9	26	192-	23	13	15
B	12477	13	-	C	22280	5	1	192-	23	13	19
B	12505	13	-	C	22285	5	2	195-	104	9	17
B	12508	13	30	C	22289	17	9	195-	104	17	3
C	10405	13	6	C	22291	9	11	195-	106	5	13
C	10821	7	2	C	22293	5	3	195-	521	17	10
C	11451	13	13	C	23336	17	7	195-	524	13	22
C	12515	13	4	C	23878	17	17	195-	533	5	22
C	12523	9	25	O	885-CB	13	7	195-	533	9	22
C	12528	13	26	VB	1135	17	1	195-	534	7	3
C	13833	15	5					195-	534	7	5
C	13834	15	6					195-	545	5	8
C	14070	14	9	<b>HARDWARE CODE NUMBERS</b>				195-	545	7	4
C	14070	13	9					195-	549	5	5
C	14100	13	2					221-	43	13	11
C	14101	13	3	61-	612	9	24	321-	1571	13	-
C	14107	11	8	111-	243	9	3				
C	14107	13	8	111-	517	13	18				
C	14667	15	4	113-	101	17	12				
C	14668	13	1	113-	208	11	12				
C	14669	15	3	113-	208	13	27				
C	14672	13	21	113-	208	15	2				
C	14674	15	1	113-	213	9	15				
C	14917	13	17	113-	219	13	12				
C	15514	9	2	113-	233	17	5				
C	15671	5	19	113-	417	5	20				
C	15672	17	2	113-	440	13	14				
C	16573	9	13	113-	441	7	2				
C	16714	9	19	113-	447	5	15				
C	16885	9	18	120-	102	9	5				
C	18315	7	1	126-	16	9	59				
C	18770	7	3	126-	16	11	16				
C	18966	9	12	126-	16	11	25				
C	18968	17	7	126-	16	17	15				
C	19121	7	1	126-	17	11	19				
C	19128	11	1	126-	124	11	20				
C	19129	11	2	129-	103	9	16				
C	19130	11	3	129-	103	13	29				
C	19131	11	4	129-	103	15	7				
C	19132	11	5	129-	105	5	11				
C	19133	11	23	129-	105	7	7				
C	19134	11	10	129-	105	13	16				
C	19136	11	14	129-	105	13	20				
C	1913X	11	15	132-	47	13	24				
C	19139	11	17	132-	306	5	9				
C	19140	11	18	132-	308	13	23				
C	19141	11	22	132-	310	5	6				
C	19142	11	21	132-	310	7	4				
C	19147	9	6	132-	310	9	23				
C	19148	11	24	132-	336	5	7				
C	19149	9	7	138-	2040	17	6				
C	19151	9	8	178-	858	9	10				
C	19160	9	20	178-	858	9	21				
C	19161	17	8	178-	858	17	16				
C	19162	17	13	192-	20	9	4				
C	19164	17	14	192-	20	17	11				
C	19382	5	17	192-	21	9	14				
C	19385	5	16	192-	21	11	13				
C	19389	5	4	192-	21	13	28				

**ROTARY TILLER  
HT32, L75  
HT41, J74, K74, L74  
Parts Catalog 8-1641**

NOTE: This catalog replaces  
catalog 8-1640.

8-91-RP-500-060



**HT 32 HYDRAULIC TILLER**

**TRACTOR APPLICATION CHART**

ROTARY TILLER	TRACTOR
HT32, L75	220*, 222*, 3010, 3012
HT41, J74, K74, L74	224, 444, 446, 448, 3014, 3016, 3018, 3020, 4014, 4016, 4018, 4020, 644, 646, 648, 6018

\*Requires Hydraulic Lift

**ALPHABETICAL INDEX**

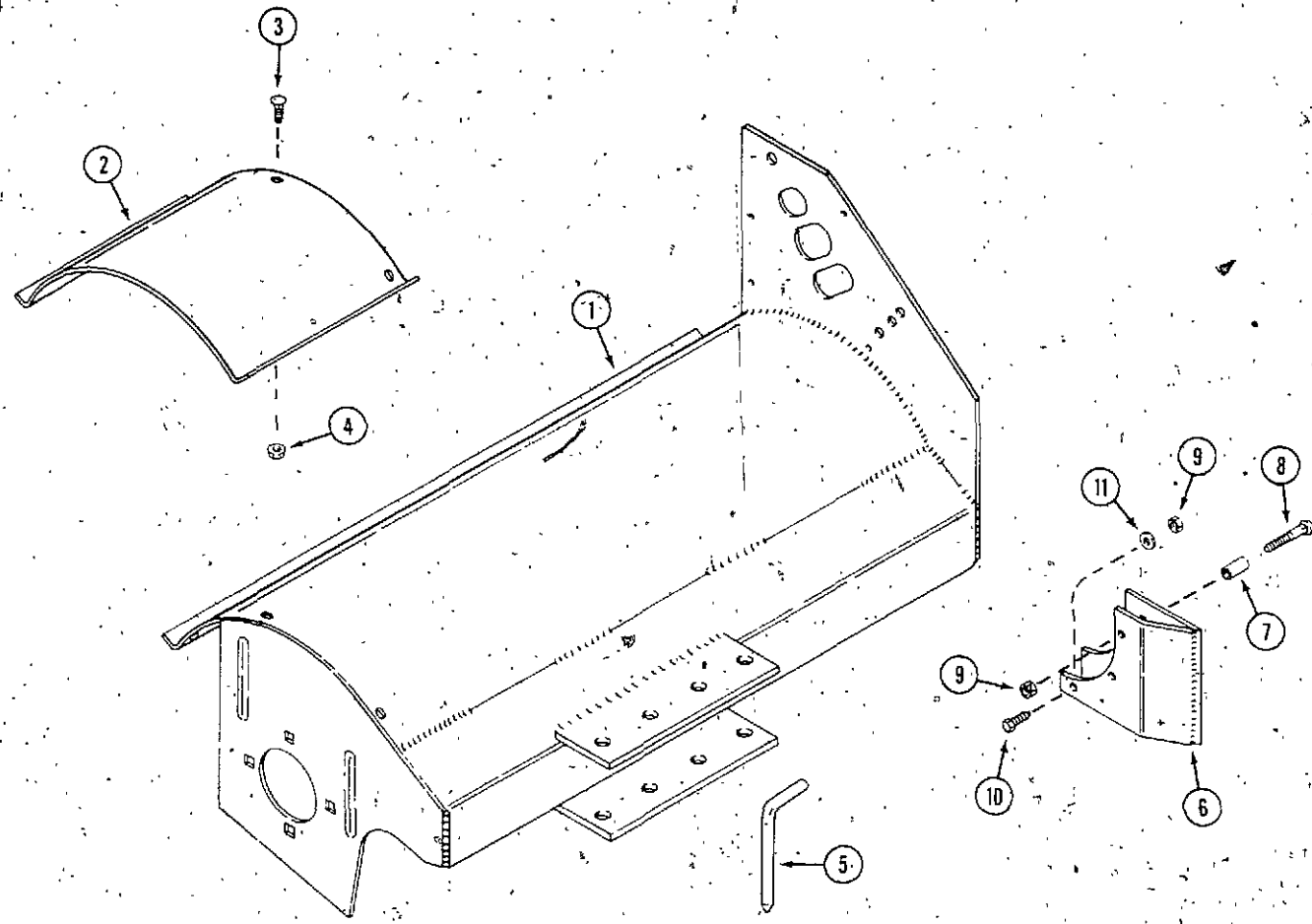
	PAGE	GRID
Bearings .....	5	G4
Chain .....	7	G6
Couplers .....	7	G6
Decals .....	9	G8
Extension Shield .....	5	G4
Frame .....	5	G4
Motor .....	7	G6
Shaft, Tine .....	5	G4
Tines .....	5	G4

NOTE: See grid A2 for -  
F70, H70, J70 Tiller

NOTE: See grid C2 for -  
J72 Tiller prior to P.I.N. P30509

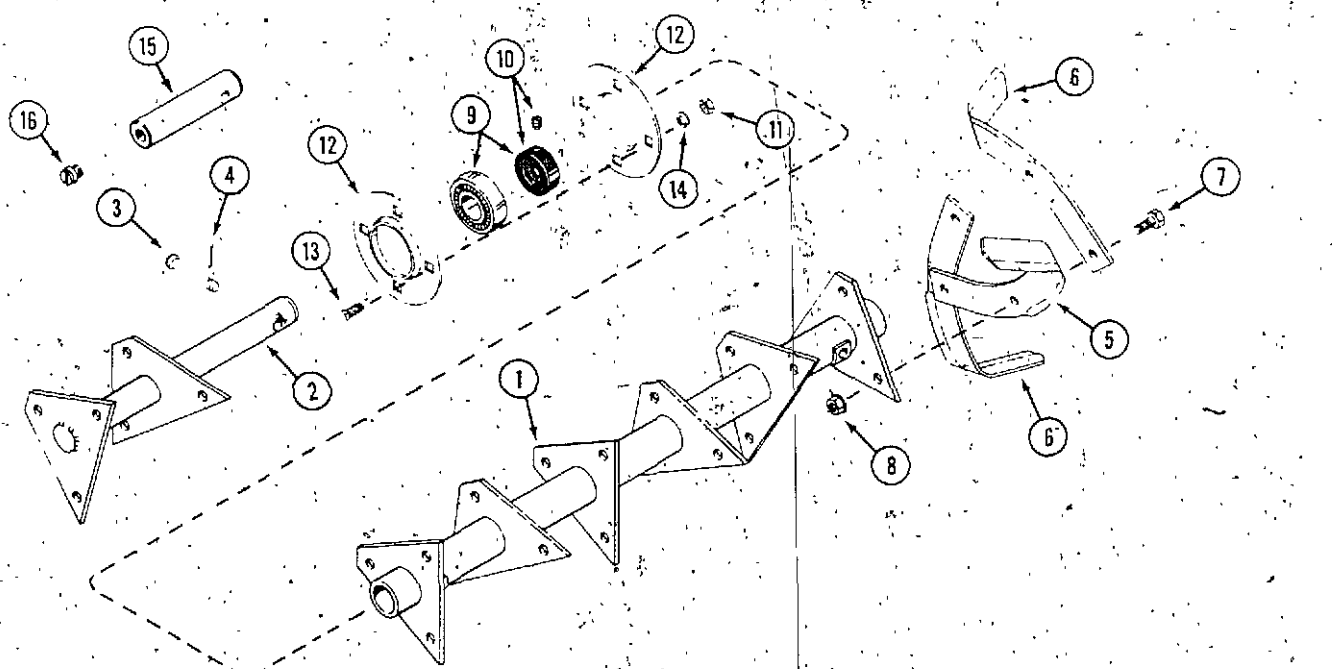
NOTE: See grid E2 for -  
J72 Tiller P.I.N. P30509 and after

FRAME



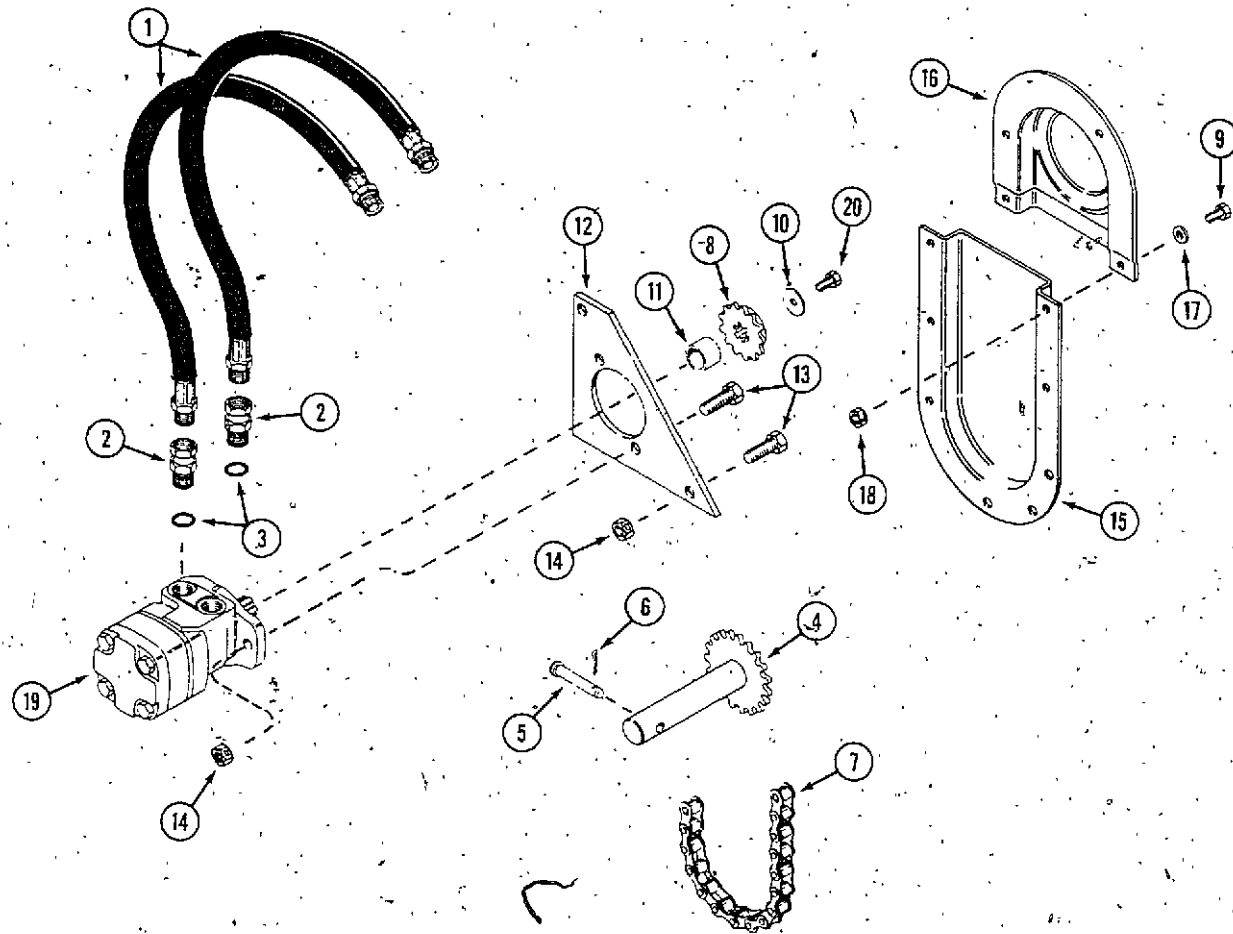
REF.	PART NO.	DESCRIPTION	REQ'D
1	C 26290	FRAME - tiller shield	1
2	C 26299	EXTENSION - tiller shield (J74, K74, L74, HT41)	1
3	111- 132	BOLT - 5/16" - 18 x 3/4" carriage	3
4	131- 911	NUT - lock 5/16" - 18	3
5	C 14568	PIN - mounting	2
6	C 26296	PLATE - chisel	1
7	C 26317	SPACER - plate	1
8	111- 208	BOLT - 5/16" - 18 x 2-1/4" carriage	2
9	131- 176	NUT - 5/16" - 18 lock	3
10	113- 103	BOLT - 5/16" - 18 x 1"	1
11	195- 103	WASHER - 5/16"	1

SHAFT, TINES AND BEARINGS



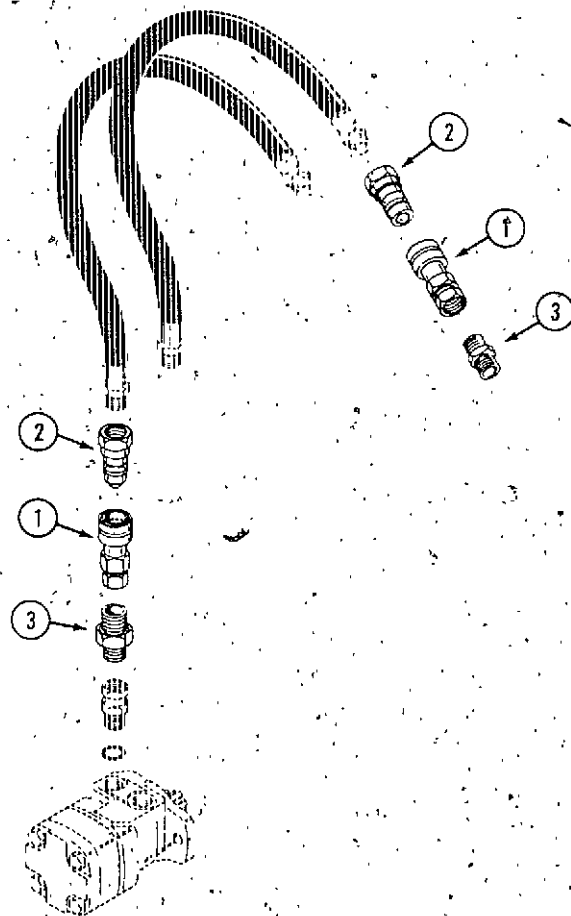
1	C 26300	SHAFT - tine	1
2	C 26305	EXTENSION - tine shaft (J74, K74, L74, HT41)	1
3	C 26309	PIN - clevis	1
4	132- 310	PIN - cotter	1
5	C 13833	TINE - R.H.	12
6	C 13834	TINE - L.H.	12
7	113- 208	BOLT - 3/8" - 16 x 1-1/4"	24
8	131- 1352	NUT - lock 3/8" flange	24
9	C 29019	BEARING AND LOCKING COLLAR	2
10	C 28642	COLLAR - locking (includes set screw)	1
11	129- 103	NUT - 3/8"	8
12	C 26349	FLANGETTE	4
13	111- 371	BOLT - 3/8" - 16 x 1" carriage	8
14	192- 21	LOCK WASHER - 3/8"	8
15	C 26343	SHAFT - stub (L75, SS74, HT42)	1
16	353- 550	PLUG - 1/2" - 13 plastic (L75, SS74, HT32)	1

TILLER DRIVE



REF.	PART NO.	DESCRIPTION	REQ'D
1	C 28320	HOSE - 1/2" I.D. x 42" (1065 mm)	2
2	218- 5251	FITTING - union 7/8" "O" ring x 1/2" NPT	2
3	218- 5007	"O" RING	1
4	C 26303	SHAFT - input	1
5	C 26309	PIN - clevis	1
6	132- 310	PIN - cotter 1/8" x 1"	1
7	C 26321	CHAIN - drive, No. 50, 56 pitch	1
8	C 26310	SPROCKET - drive (13T) optional (for hard soil)	1
8	C 26312	SPROCKET - drive (15T) standard (for average soil)	1
9	113- 3	BOLT - 1/4" - 20 x 3/4"	7
10	C 26344	WASHER - 5/16" I.D. 1-1/4" O.D. 7 Ga.	1
11	C 26311	SPACER - sprocket	1
12	C 26314	MOUNT - motor	1
13	113- 410	BOLT - 1/2" - 13 x 1-1/2" hex	4
14	131-1182	NUT - lock 1/2" - 13	4
15	C 26315	COVER - chain, lower	1
16	C 26316	COVER - chain, upper	1
17	195- 518	WASHER - 1/4"	7
18	131-1180	NUT - lock 1/4"	7
19	C 27903*	MOTOR - hydraulic drive (check thread size in shaft)	1
	C 26341	KIT - seal, hydraulic motor	1
20	113- 4	BOLT - 1/4" - 20 x 1"	1
20	113- 103	BOLT - 5/16" - 18 x 1"	1

\* on L74 before S/N AR13850 and on L75 before S/N AS12881 reduce spacer (11) length by .20" if required for sprocket mounting bolt clearance.



HYDRAULIC "QUICK" COUPLERS (OPTIONAL)

REF.	PART NO.	DESCRIPTION	REQ'D
1	C 23939	COUPLER - body, female	2
2	C 28319	COUPLER - nose piece, male	2
3	217-1072	FITTING - 1/2" - 14 NPSF	2

DECALS

REF.	PART NO.	DESCRIPTION	REQ'D
1	321-6380	DECAL - tread, white	5
2	321-6379	DECAL - "Case"	1
3	C 31087	DECAL - Spinning Blade	1
4	C 26893	DECAL - trade mark (hitill) (J74)	1
5	C 31989	DECAL - "Ingersoll"	1
6	C 31328	DECAL - stripe (cut to length)	1
	NSS	DECAL - "Hytill 41" (not shown)	1
	NSS	DECAL - "Hytill 32" (not shown)	1



## NUMERICAL INDEX

PART NO.	PAGE NO.	REF. NO.	PART NO.	PAGE NO.	REF. NO.	PART NO.	PAGE NO.	REF. NO.
C13833	5	5						
C13834	5	6						
C14568	5	5						
C23939	7	1						
C26290	5	1						
C26296	5	6						
C26299	5	2						
C26300	5	1						
C26303	7	4						
C26305	5	2						
C26309	5	3						
C26309	7	5						
C26310	7	8						
C26311	7	11						
C26312	7	8						
C26314	7	12						
C26315	7	15						
C26316	7	16						
C26317	5	7						
C26321	7	7						
C26341	7							
C26343	5	15						
C26344	7	10						
C26349	5	12						
C26893	9	4						
C27903	7	19						
C28319	7	2						
C28320	7	1						
C28642	5	10						
C29019	5	9						
C31087	9	3						
C31328	9	6						
C31989	9	5						
111-132	5	3						
111-208	5	8						
111-371	5	13						
113-3	7	9						
113-4	7	20						
113-103	5	10						
113-103	7	20						
113-208	5	7						
113-410	7	13						
129-103	5	11						
131-176	5	9						
131-911	5	4						
131-1180	7	18						
131-1182	7	14						
131-1352	5	8						
132-310	5	4						
132-310	7	6						
192-21	5	14						
195-103	5	11						
195-518	7	17						
217-1072	7	3						
218-5077	7	3						
218-5251	7	2						
321-6379	9	2						
321-6380	9	1						
353-550	5	16						