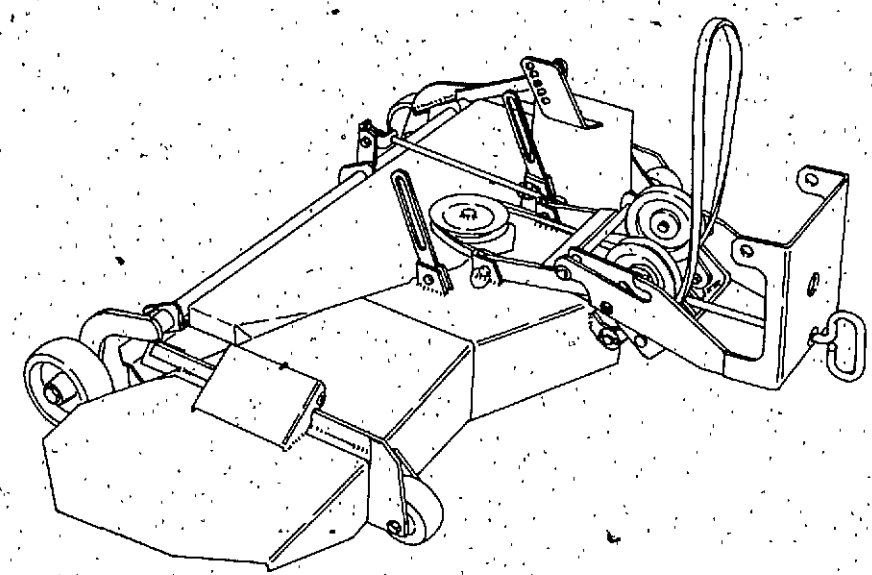


ROTARY MOWERS
RM38, RM42G, RM44
RM44GR, RM48, RM60
SNOW BLOWERS SB38G, SB48
UTILITY BLADES UB44, UB54
BAGGER BG42G
Parts Catalog 8-3072

9-94-RP-300-283



RM38, RM44, RM48 Series Shown

APPLICATION CHART

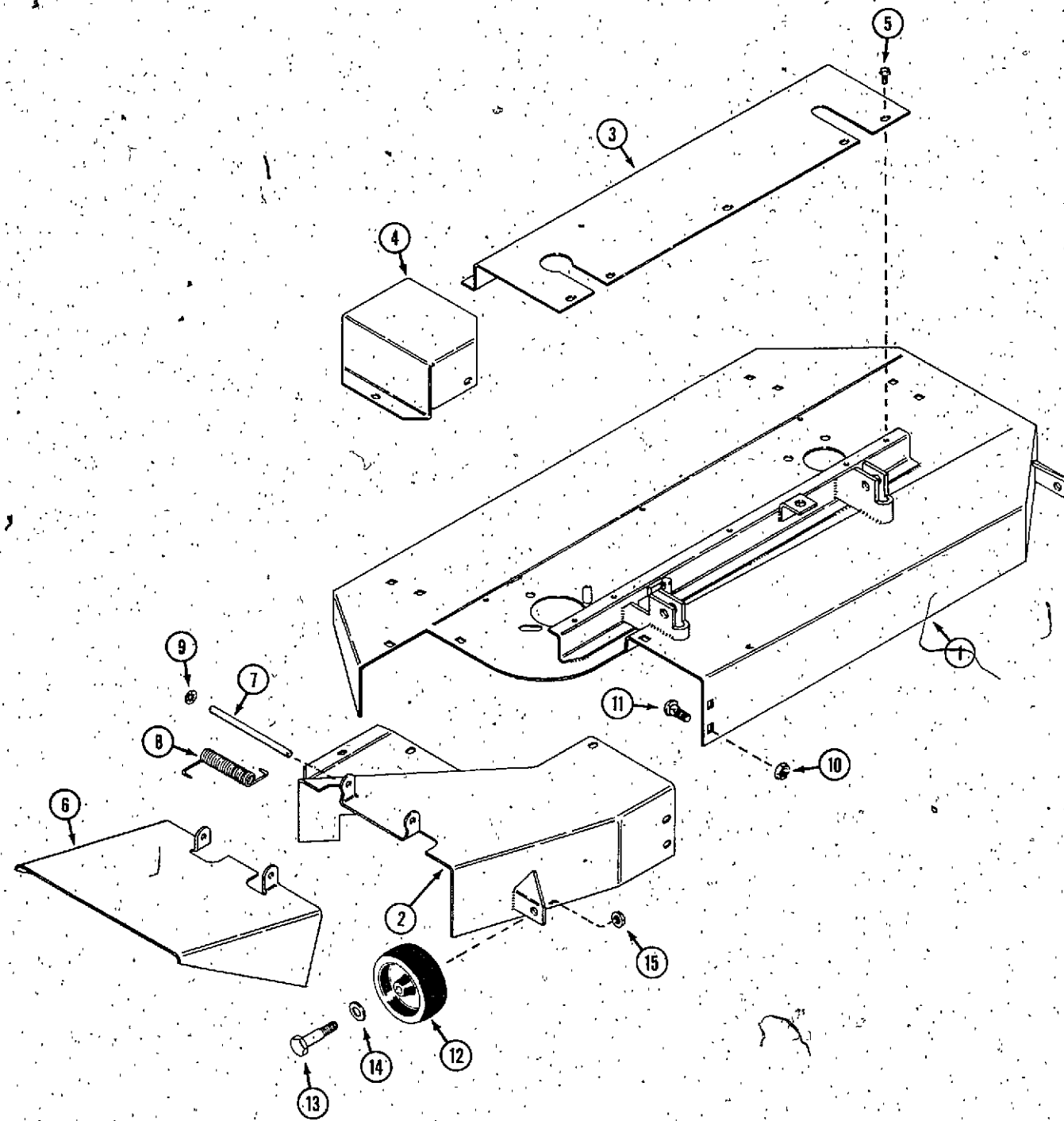
	3010	3012	3014	3016	3018	4014	4016	4018	4020	3118D	4118D
Rotary Mower RM38	X	1	1	1	1						
Rotary Mower RM42G	X	X	X	X	X						
Rotary Mower RM44GR	X	X	X	X	X	X	X	X	X		
Rotary Mower RM44	X	X	X	X	X	X	X	X	X		
Rotary Mower RM48				X	X	X	X	X	X		
Rotary Mower RM60							X	X	X		
Snow Blower SB38G	X	1	1	1	1						
Snow Blower SB48						X	X	X	X		
Utility Blade UB44	X	X	X	X	X					X	
Utility Blade UB54						X	X	X	X		X
Bagger BG42G	2	2	2	2	2						

1. Requires G1L (narrow) rear tires.
 2. Use with RM42G Rotary Mower.

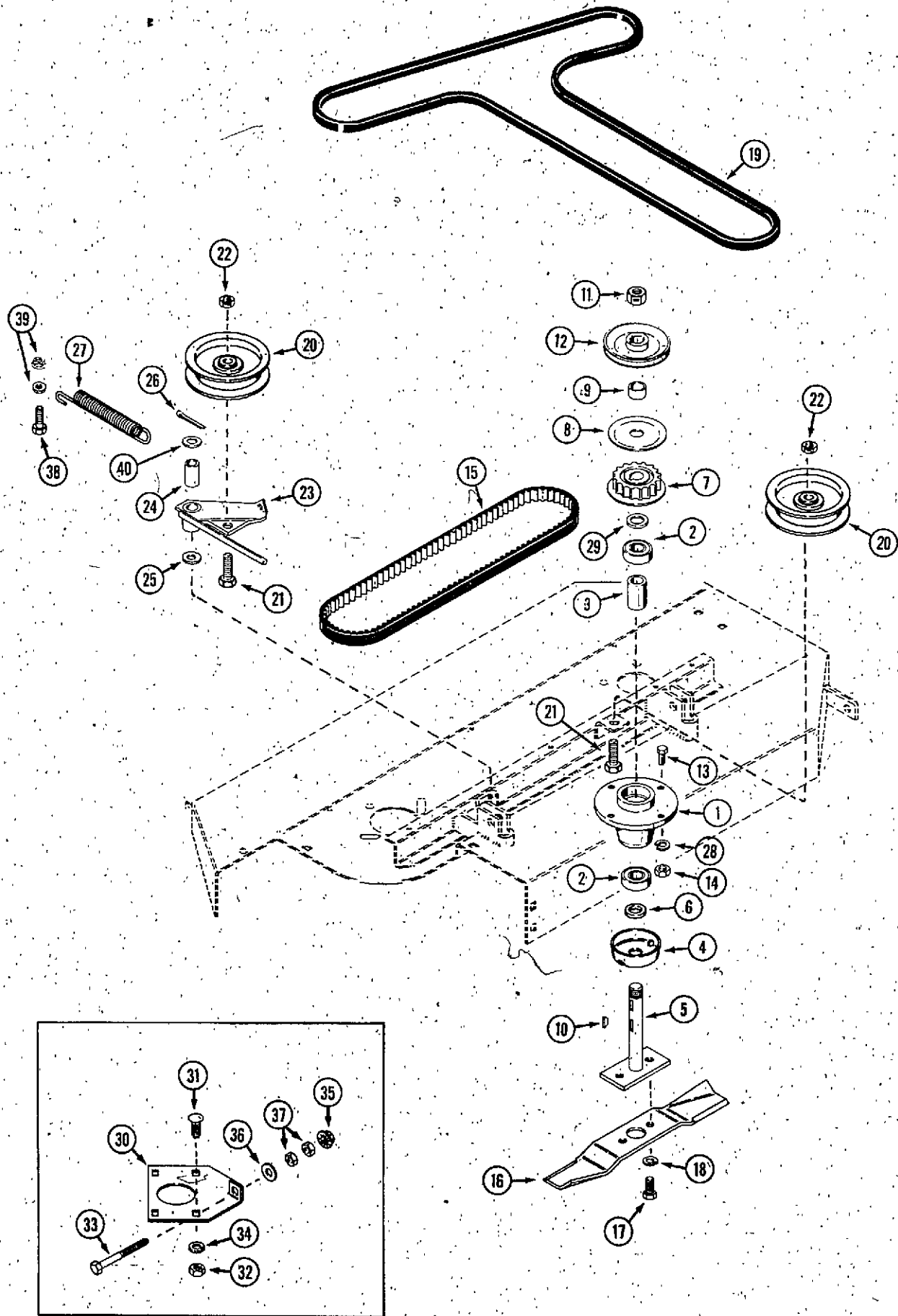
TABLE OF CONTENTS

RM42G	
Deck and Chute	5
Spindles, Belts and Pulleys	7
Mounting Brackets and Axle	9
Decals	37
RM38, RM44, RM44GR, RM48 ROTARY MOWERS	
Deck, Belts, Backside Idler (RM44GR)	11
Deck, Belts, Backside Idler (RM38, RM44, RM48)	13
Mounting Bracket and Idler Pulleys	15
Rear Axle and Leveling Linkage	17
Spindles and Blades	17
Decals	37
RM60 ROTARY MOWER	
Deck, Belts and Deck Covers	19
Axle and Mounting Brackets	21-23
Pulleys, Blades and Spindles	25
Decals	37
SB38G, SB48 SNOW BLOWER	
Auger Housing, Chute Control and Lift Assembly	27
Auger and Drive Assembly	29
Belt and Idler Assembly	31
Decals	37
UB44, UB54 UTILITY BLADE	
Blade Bracket and Lift Assembly	33
Decals	37
BG42G BAGGER	
Bagger Assembly	35
Decals	37

DECK AND CHUTE



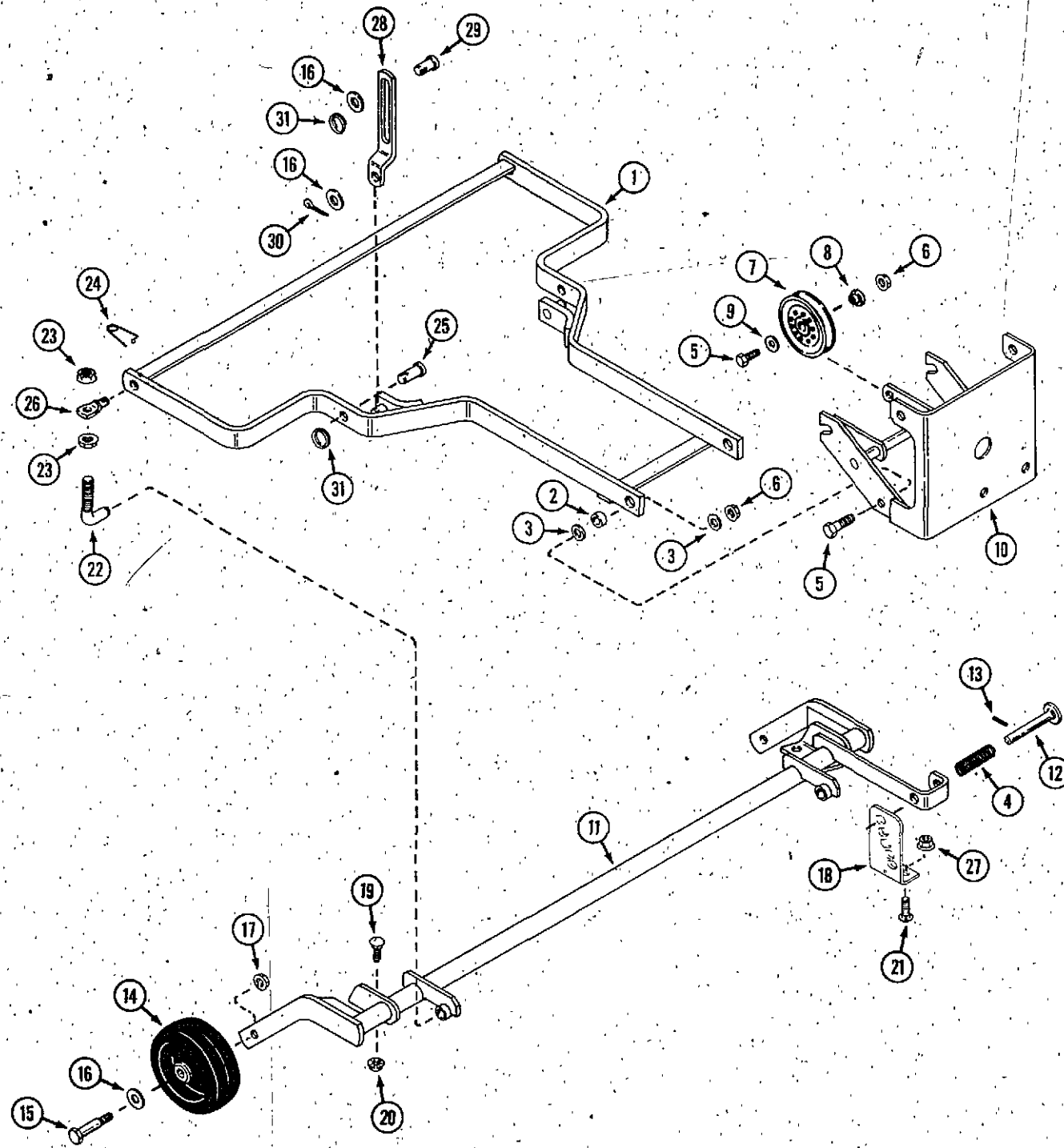
REF.	PART NO.	DESCRIPTION	REQ'D
1	C 36805	DECK - mower	1
2	C 36802	CHUTE - mower	1
3	C 30738	COVER - belt	1
4	C 30741	COVER - end, belt R.H. (shown)	2
4	C 36856	COVER - end, belt L.H.	1
5	187- 1036	SCREW - 1/4" x 1/2" self-tap	12
6	C 30744	DEFLECTOR - chute	1
7	C 30766	PIN - hinge	1
8	C 30767	SPRING - hinge	1
9	C 30768	NUT - push	2
10	111- 217	BOLT - 5/16" x 5/8" carriage	6
11	131- 911	NUT - 5/16" flange lock	6
12	C 33709	WHEEL - anti scalp	2
13	C 16745	BOLT - shoulder	2
14	195- 533	WASHER - 1/2"	2
15	131- 938	NUT - 3/8" - 16 flange lock	2



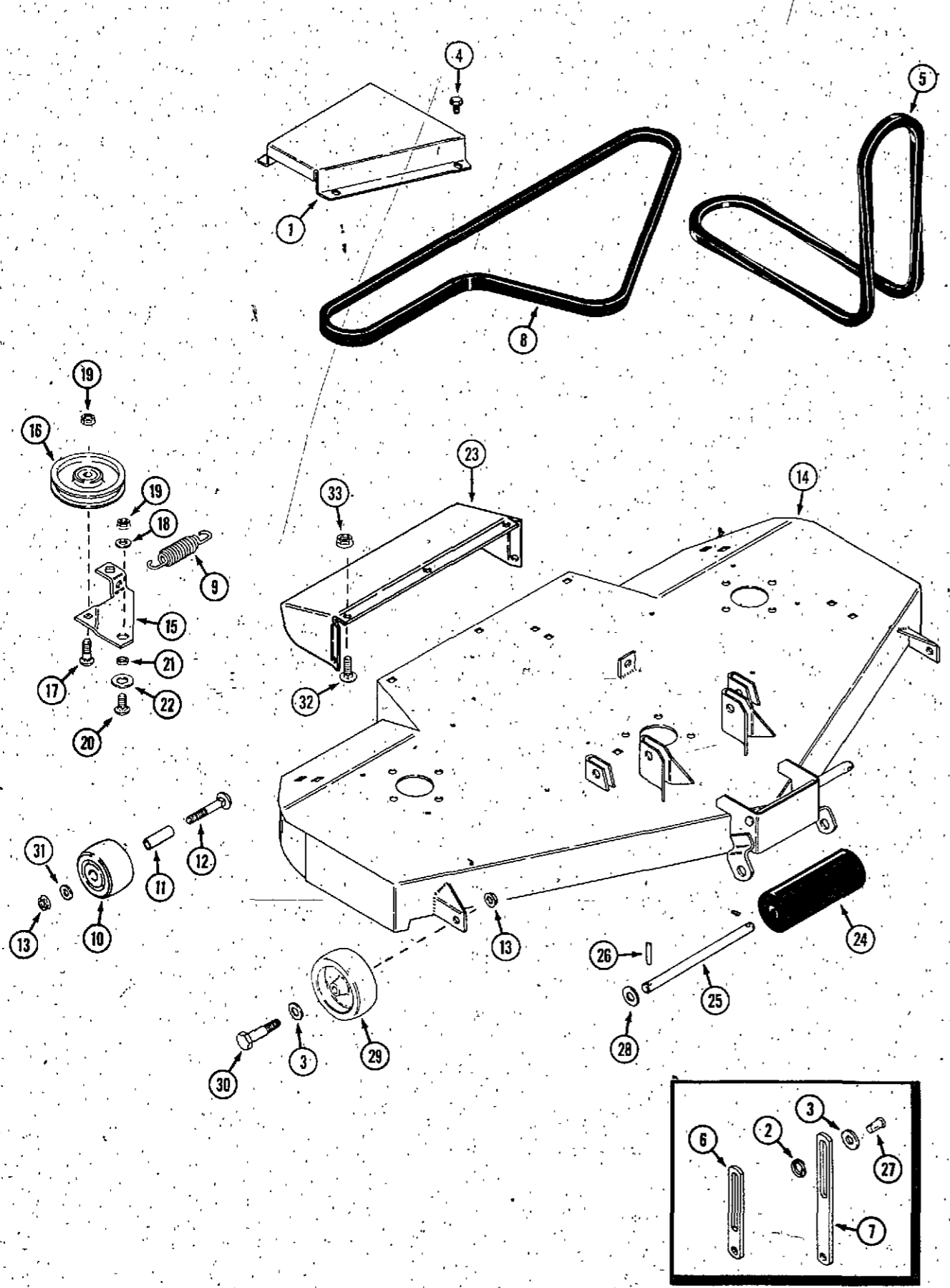
SPINDLES, BELTS AND PULLEYS

REF.	PART NO.	DESCRIPTION	REQ'D
1	C 30729	HOUSING - spindle	2
2	C 28971	BEARING - spindle	4
3	C 29453	SPACER - bearing	2
4	C 25543	SHIELD - bearing	2
5	C 32421	SPINDLE - mower	2
6	C 25541	SPACER - shield	2
7	C 37196	SPROCKET - timing	2
8	C 30733	RETAINER - belt, timing	2
9	C 29431	SPACER - pulley and sprocket	2
10	126- 13	KEY - woodruff	4
11	131- 1331	NUT - 3/4" (use 100 ft. lb. torque)	4
12	C 36813	PULLEY - drive	2
13	113- 208	BOLT - 3/8" - 16 x 1-1/4"	4
14	129- 103	NUT - 3/8"	8
15	C 30736	BELT - timing	1
16	C 33275	BLADE - 21-3/8"	2
17	113- 206	BOLT - 3/8" x 3/4"	4
18	192- 21	LOCK WASHER - 3/8"	4
19	C 27686	BELT - drive	1
20	C 26090	PULLEY - backside idler	2
21	113- 410	BOLT - 1/2" - 13 x 1-1/2"	2
22	131- 1182	NUT - 1/2" lock	2
23	C 36815	ARM - idler	1
24	C 16714	BUSHING	1
25	195- 533	WASHER	1
26	132- 310	PIN - cotter 1/8" x 1"	1
27	NSS	SPRING - tension (use C36999 kit before PIN 043525)	1
27	C 36998	SPRING - tension (use PIN 043525 and after)	1
28	192- 21	LOCK WASHER - 3/8"	8
29	C 28972	WASHER	2
30	C 30735	PLATE - adjusting, timing belt	1
31	111- 366	BOLT - 3/8" - 16 x 1-1/4" carriage	4
32	129- 103	NUT - 3/8" - 16	4
33	123- 101	BOLT - 5/16" - 18 x 4"	1
34	192- 21	LOCKWASHER - 3/8"	4
35	131- 911	NUT - 5/16" - 18 flange lock	1
36	195- 520	WASHER - .312" I.D. x .88" O.D.	1
37	129- 102	NUT - 5/16" - 18	2
38	113- 207	BOLT - 3/8" - 16 x 1"	1
39	131- 1352	NUT - 3/8" - 16 flange lock	1
40	C 37004	WASHER	1

MOUNTING BRACKETS AND AXLE



REF.	PART NO.	DESCRIPTION	REQ'D
1	C 36825	FRAME - tow	1
2	C 16573	SPACER - sleeve	2
3	C 30649	WASHER - 3/8"	4
4	C 10482	SPRING - compression	1
5	113- 209	BOLT - 3/8" - 16 x 1-1/2"	4
6	131- 1352	NUT - 3/8" - 16	4
7	C 25370	PULLEY - idler "V" groove	2
8	C 12264	BUSHING - flange	2
9	195- 525	WASHER - 3/8"	2
10	C 37069	BRACKET - mounting	1
11	C 36817	AXLE - rear	1
12	C 20005	PIN - height adjust	1
13	138- 96	PIN - roll 3/16" x 1"	1
14	C 26736	WHEEL - gauge	2
15	C 16745	BOLT - shoulder	2
16	195- 533	WASHER - 1/2"	8
17	131- 938	NUT - 3/8" 16 lock flange	2
18	C 36823	BRACKET - height adjust	2
19	111- 340	BOLT - 3/8 x 3/4" carriage	4
20	131- 938	NUT - 3/8" flange lock	4
21	111- 132	BOLT - 5/16" x 3/4" carriage	2
22	C 36838	BOLT - "J"	2
23	131- 930	NUT - 1/2" lock flange	2
24	C 10898	PIN - safety	2
25	141- 56	PIN - clevis 1/2" x 1.2"	2
26	C 26033	LINK - adjust	2
27	131- 911	NUT - 5/16" - 18 flange lock	2
28	C 36839	LINK - lift	2
29	C 10821	PIN - clevis 1/2" x 1"	2
30	132- 310	PIN - cotter 1/8" x 1"	2
31	C 28105	RING - retaining	4

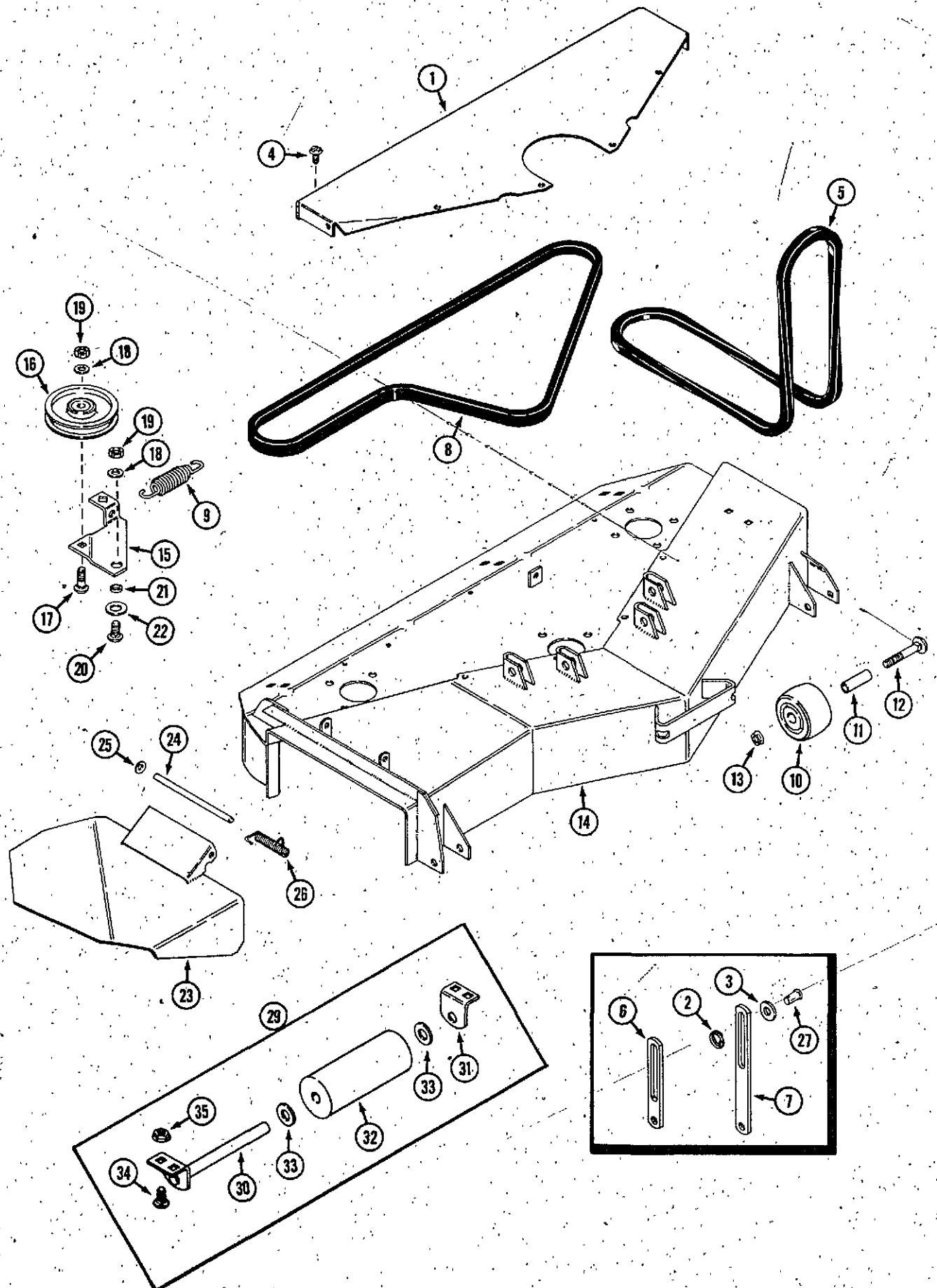


DECK, BELTS AND BACKSIDE IDLER PULLEY

1	C 34718	COVER - deck belt L.H.	1
1	C 34719	COVER - deck belt R.H. (shown)	1
2	C 28105	RING - retaining	4
3	195- 533	WASHER - 1/2"	4
4	187-1036	SCREW - 1/4" x 1/2" self-tapping	8
5	C 23358	BELT - drive (use with tractors model 3010, 3012, 3014, 3016, 3018 and 3020)	1
5	C 23808	BELT - drive (use with tractors model 4014, 4016, 4018, and 4020)	1
6	C 26958	LINK - lift (use with 3000 series tractors)	2
7	C 34739	LINK - lift (use with 4000 series tractors)	2
8	C 23949	BELT - mower deck	1
9	C 31606	SPRING - tension	1
10	C 31500	ROLLER - anti-scalp, rear	2
11	C 31501	SPACER - sleeve	2
12	111- 375	BOLT - 3/8" - 16 x 3" carriage	1
13	131- 938	NUT - 3/8" - 16 flange lock	3
14	C 44663*	DECK - mower	1
15	C 31608	PLATE - idler	1
16	C 12251	PULLEY - backside idler	1
17	111- 366	BOLT - 3/8" - 16 x 1-1/4" carriage	1
18	195- 525	WASHER - 3/8"	1
19	131-1352	NUT - 3/8" - 16 flange lock	2
20	111- 371	BOLT - 3/8" 16 x 1" carriage	1
21	C 14768	SPACER - sleeve	1
22	195- 105	WASHER - 1/2"	1
23	C 25409**	DEFLECTOR - chute	1
24	C 28977	ROLLER - 7", front	1
25	C 26405	SHAFT - roller	1
26	138- 106	PIN - roll 3/16" x 2-1/2"	1
27	C 10821	PIN - clevis 1/2" x 1"	4
28	195- 541	WASHER - 5/8"	1
29	C 33709	WHEEL - anti-scalp, front	2
30	C 16745	BOLT - shoulder	2
31	C 30649	WASHER - spacer	1
32	111- 101	BOLT - 1/4" - 20 x 5/8" carriage	5
33	131- 934	NUT - 1/4" - 20 flange	5

* for decks PIN-057105 thru 057129 also order 2 of C31580 straps

**NOTE: If interference exists between chute and motor tubes on 3000 series tractors, order C42827 tube kit.

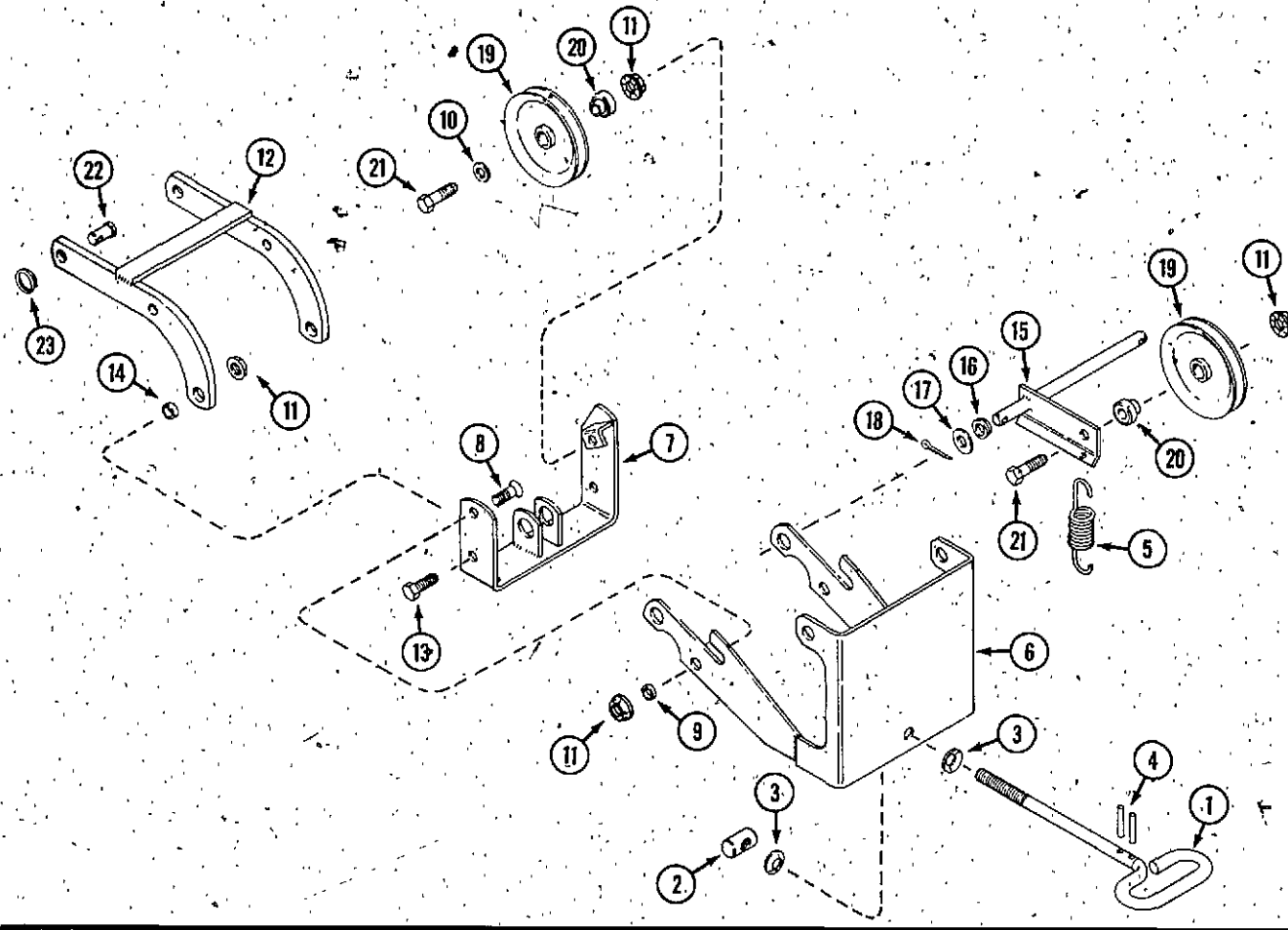


DECK, BELTS AND BACKSIDE IDLER PULLEY

REF.	PART NO.	DESCRIPTION	REQ'D
1	C 31495	COVER - deck belt (RM38)	1
1	C 31496	COVER - deck belt (RM44)	1
1	C 31497	COVER - deck belt (RM48)	1
2	C 28105	RING - retaining	4
3	195- 533	WASHER - 1/2"	2
4	187- 1036	SCREW - 1/4" x 1/2" self-tapping	3
5	C 23358*	BELT - drive (use with tractors model 3000 series)	1
5	C 23808*	BELT - drive (use with tractors model 4000 series)	1
5	C 44801 **	BELT - drive (use with 3000 series tractors)	1
5	C 44802 **	BELT - drive (use with 4000 series tractors)	1
6	C 18315	LINK - lift (use with tractors model 3010, 3012, 3014, 3016 3018 and 3020)	2
7	C 25703	LINK - lift (use with tractors model 4014, 4016, 4018 and 4020)	2
8	C 23810	BELT - mower deck (RM38)	1
8	C 23949	BELT - mower deck (RM44)	1
8	C 23950	BELT - mower deck (RM48)	1
9	C 31606	SPRING - tension	1
10	C 31500	ROLLER - anti-scalp	2
11	C 31501	SPACER - sleeve	2
12	111- 375	BOLT - 3/8" - 16 x 3" carriage	1
12	113- 241	BOLT - 3/8" - 16 x 3" hex head	1
13	131- 938	NUT - 3/8" - 16 flange lock	2
14	C 31507*	DECK - mower (RM38)-shown	1
14	C 31526*	DECK - mower (RM44)	1
14	C 31535*	DECK - mower (RM48)	1
14	C 44661**	DECK - mower (RM48)	1
14	C 44659**	DECK - mower (RM44)	1
14	C 44657**	DECK - mower (RM38)	1
15	C 31608	PLATE - idler	1
16	C 12251	PULLEY - backside idler	1
17	111- 366	BOLT - 3/8" - 16 x 1-1/4" carriage	1
18	195- 525	WASHER - 3/8"	2
19	131- 1352	NUT - 3/8" lock	2
20	111- 371	BOLT - 3/8" 16 x 1" carriage	1
21	C 14768	SPACER - sleeve	1
22	195- 105	WASHER - 1/2"	1
23	C 32958	DEFLECTOR - chute	1
24	C 30766	ROD - pivot	1
25	C 30768	NUT - push	2
26	C 31505	SPRING - chute	1
27	C 10821	PIN - clevis 1/2" x 1"	4
29	C 44560	KIT - rear roller (optional)	1
30	NSS	BRACKET - roller (order kit)	1
31	NSS	BRACKET - roller (order kit)	1
32	C 28977	ROLLER - 7"	1
33	195- 541	WASHER - 5/8"	2
34	111- 132	BOLT - 5/16" - 18 x 3/4" carriage	4
35	131- 911	NUT - 5/16" - 18 flange lock	4

* Use before PIN:
 **Use PIN and after:

- RM38 - 010308055
- RM44 - 010307024
- RM44GR - 010308167
- RM48 - 010307021



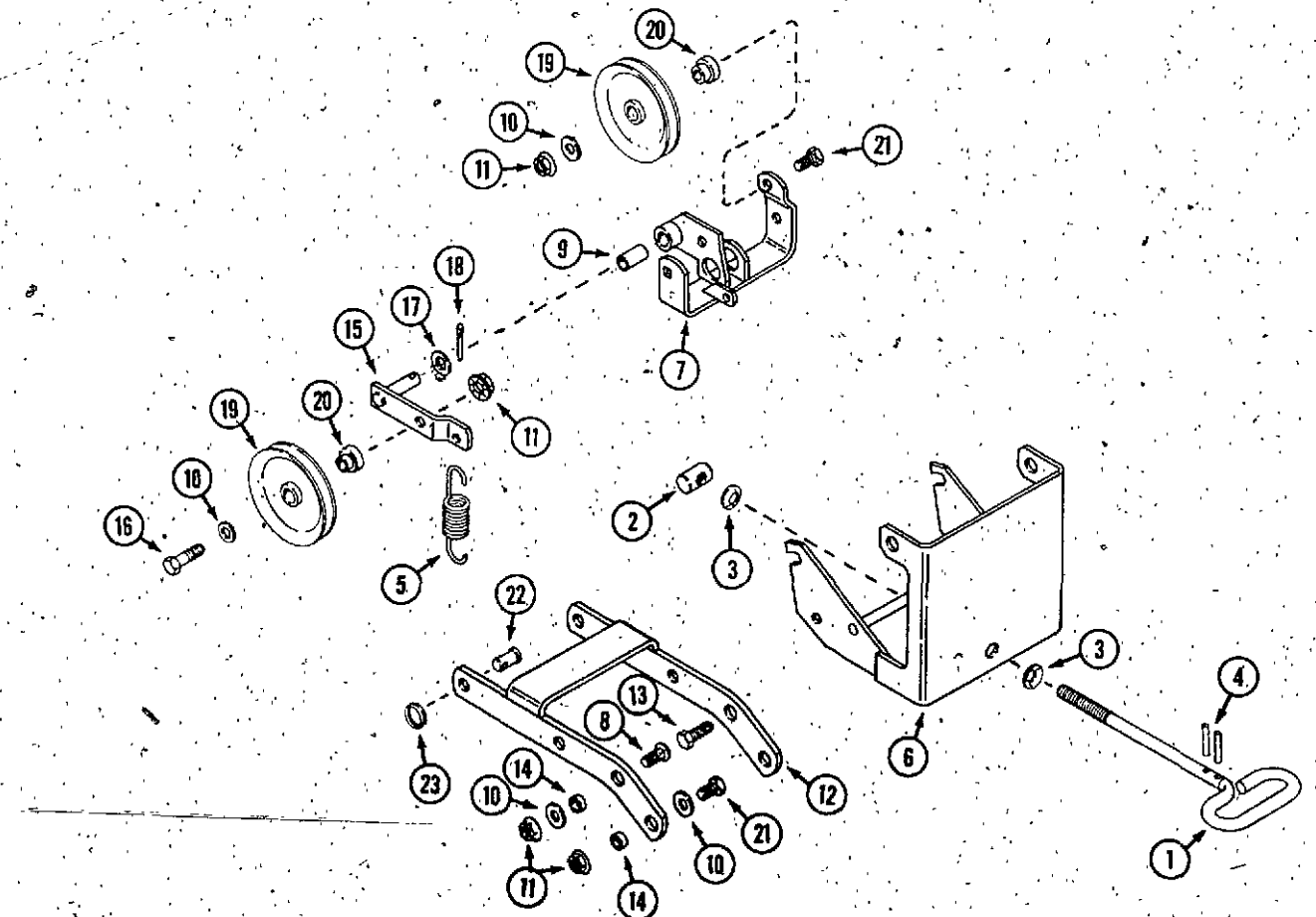
C31581 MOUNTING BRACKET AND IDLER PULLEYS ASSEMBLY

USE BEFORE PIN:
 RM38-010308055
 RM44-010307024
 RM44GR-010308167
 RM48-010307021

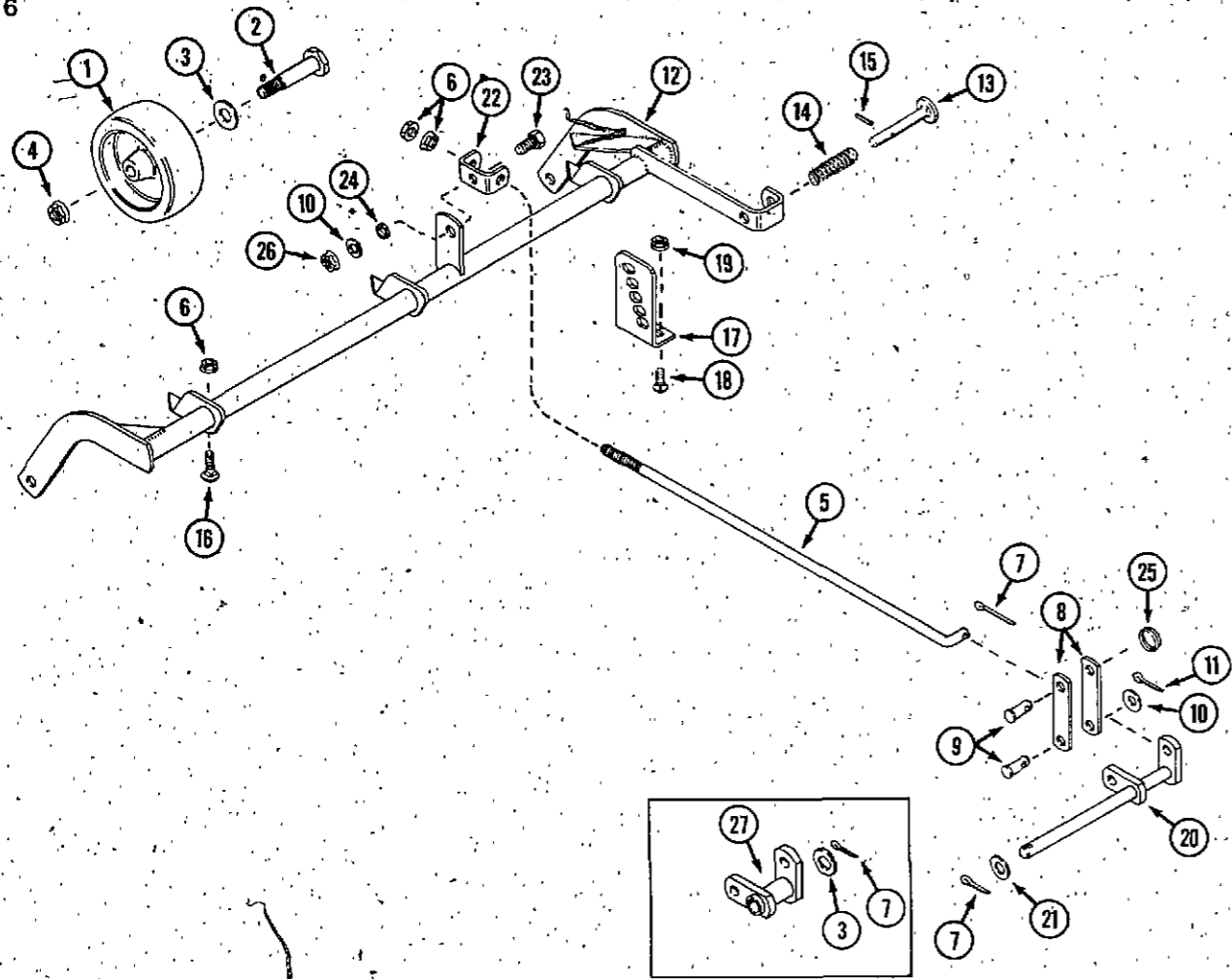
REF.	PART NO.	DESCRIPTION	REQ'D
1	C 31582	SCREW - idler adjust	1
2	C 14269	NUT - belt tension	1
3	C 31583	WASHER - dished	2
4	138-2073	PIN - spiral 3/16" x 1-1/4"	2
5	C 21942	SPRING - tension	1
6	C 31585	BRACKET - mounting	1
7	C 31589	YOKE - adjusting	1
8	164- 51	SCREW - 3/8" - 16 x 1" flat head socket	2
9	C 14768	SPACER - sleeve	2
10	195- 525	WASHER - 3/8"	1
11	131-1352	NUT - 3/8" - 16 flange head	6
12	C 31593	FRAME - tow	1
13	113- 208	BOLT - 3/8" - 16 x 1-1/4"	2
14	C 16573	SPACER - sleeve	2
15	C 31595	ARM - idler	1
16	C 24182	BUSHING - flange	2
17	195- 533	WASHER - 1/2"	2
18	132- 310	PIN - cotter 1/8" x 1"	2
19	C 25370	PULLEY - idler, "vee" groove	2
20	C 12264	BUSHING - flange	2
21	113- 209	BOLT - 3/8" - 16 x 1-1/2"	2
22	C 10821	PIN - clevis 1/2" x 1"	2
23	C 28105	RING - retaining	2
	C 44689	KIT - suspension (changes suspension to newer style)	1

C44669 MOUNTING BRACKET AND IDLER PULLEYS ASSEMBLY

USE PIN AND AFTER:
 RM38 - 010308055
 RM44 - 010307024
 RM44GR - 010308167
 RM48 - 010307021



REF.	PART NO.	DESCRIPTION	REQ'D
1	C 31582	SCREW - idler adjust	1
2	C 14269	NUT - belt tension	1
3	C 31583	WASHER - dished	2
4	138-2073	PIN - spiral 3/16" x 1-1/4"	2
5	C 21942	SPRING - tension	1
6	C 44672	BRACKET - mounting	1
7	C 44676	YOKE - adjusting (includes bushing)	1
8	111- 366	BOLT - 3/8" - 16 x 1-1/4" carriage	1
9	C 16714	BUSHING	2
10	195- 525	WASHER - 3/8"	1
11	131-1352	NUT - 3/8" - 16 flange head	6
12	C 44683	FRAME - tow	1
13	113- 208	BOLT - 3/8" - 16 x 1-1/4"	1
14	C 16573	SPACER - sleeve	4
15	C 44685	ARM - idler	1
16	113- 219	BOLT - 3/8" - 16 x 2"	1
17	C 37004	WASHER - 1/2"	2
18	132- 310	PIN - cotter 1/8" x 1"	2
19	C 25370	PULLEY - idler, "vee" groove	2
20	C 12264	BUSHING - flange	2
21	113- 209	BOLT - 3/8" - 16 x 1-1/2"	2
22	C 10821	PIN - clevis 1/2" x 1"	2
23	C 28105	RING - retaining	2

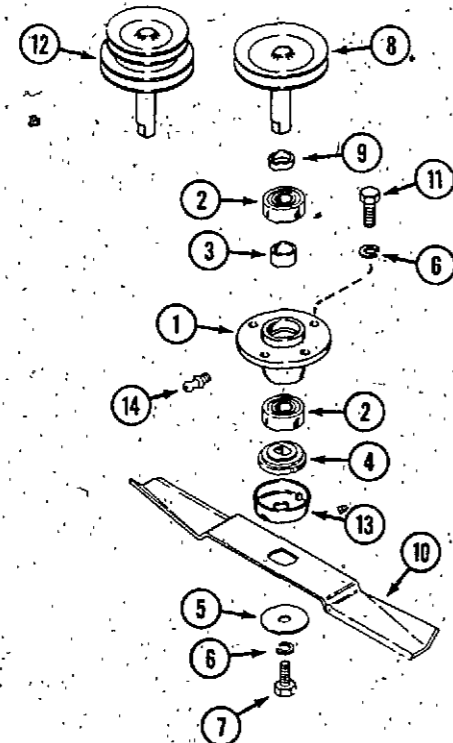


REAR AXLE AND LEVELING LINKAGE

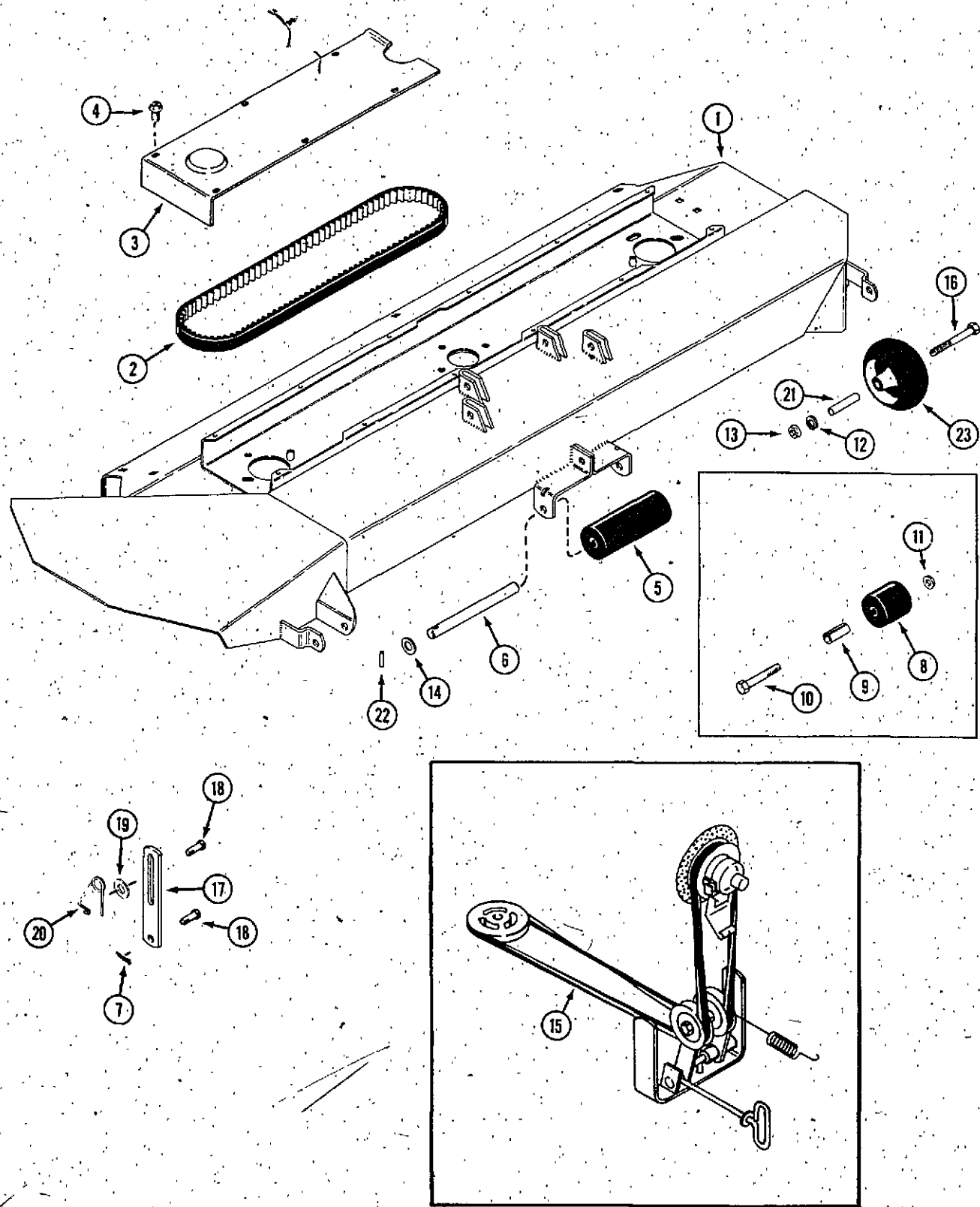
REF.	PART NO.	DESCRIPTION	REQ'D
1	C 25682	WHEEL - gauge 6"	2
1	C 31498	WHEEL - gauge 5"	2
2	C 31499	BOLT - shoulder	2
3	195- 541	WASHER - .656" x 1.312"	4
4	131- 930	NUT - 1/2" - 13 flange lock	2
5	C 31576	ROD - level adjust (RM38)	1
5	C 31577	ROD - level adjust (RM44) (RM44GR) (RM48)	1
6	131- 938	NUT - 3/8" - 16 flange lock	8
7	132- 310	PIN - cotter 1/8" x 1"	2
8	C 31580*	STRAP - connector (for RM44GR bend if required)	2
8	C 44655**	STRAP - connector	2
9	141- 54	PIN - clevis 3/8" x 1"	1
9	C 10821	PIN - clevis 1/2" x 7/8"	2
10	195- 525	WASHER - 3/8"	1
11	132- 320	PIN - cotter 3/32" x 3/4"	1
12	C 31546	AXLE - mower (RM38)	1
12	C 31547	AXLE - mower (RM44)	1
12	C 31548	AXLE - mower (RM48)	1
12	C 44791	AXLE - mower (RM44GR)	1
13	C 20005	PIN - locking	1
14	C 10482	SPRING - compression	1
15	138- 96	PIN - roll 3/16" x 1"	1
16	111- 340	BOLT - 3/8" - 16 x 3/4" carriage	2
16	121- 228	BOLT - 3/8" - 16 x 3/4" flange lock (RM44GR)	2
17	C 15935	BRACKET - height adjust (RM38, RM44, RM48) shown	1
17	C 34734	BRACKET - height adjust (RM44GR)	1
18	111- 132	BOLT - 5/16" - 18 x 3/4" carriage	2
19	131- 911	NUT - 5/16" - 18 flange lock	2
20	C 37327*	BELLCRANK - leveling (RM38, RM44, RM48)	1
21	195- 533	WASHER - 1/2"	1
22	C 31579	BRACKET - channel	1
23	113- 207	BOLT - 3/8" - 16 x 1"	1
24	C 14768	SPACER - sleeve	1
25	C 28105	RING - retaining	1
26	131- 1352	NUT - 3/8" - 16 flange head	1
27	C 34735*	BELLCRANK - leveling (RM44GR)	1
27	C 44667**	BELLCRANK - leveling	1

*USE BEFORE PIN:
 **USE PIN AND AFTER:
 RM38 - 010308055
 RM44 - 010307924
 RM44GR - 010308167
 RM48 - 010307021

SPINDLES AND BLADES

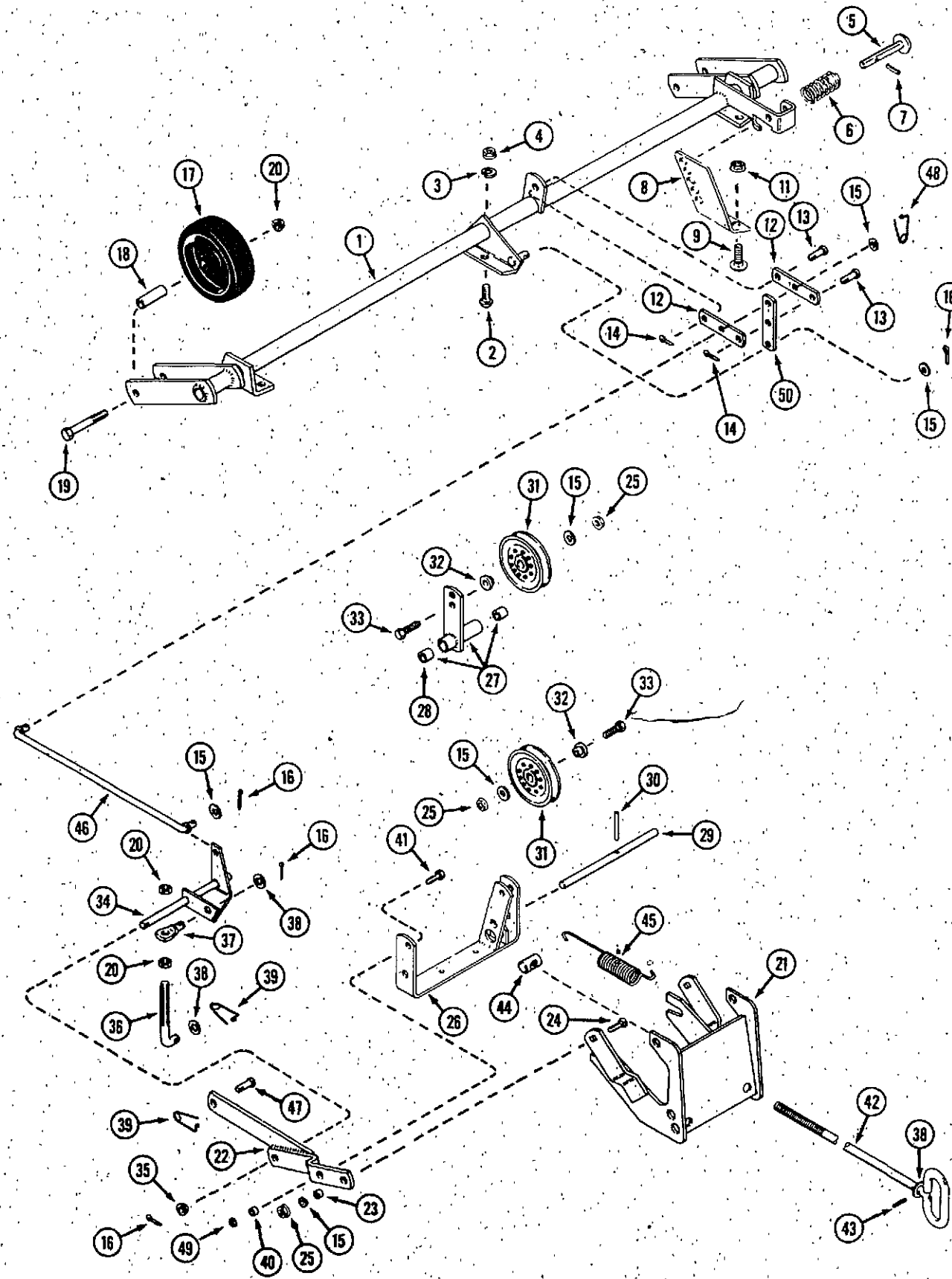


REF.	PART NO.	DESCRIPTION	REQ'D
1	NSS	HOUSING - spindle (use C40722, 219-20 and (2) C16516)	3
2	C 28971	BEARING - spindle	6
3	C 10810	SPACER - bearing	3
4	C 25542	ADAPTER - blade	3
5	C 31452	WASHER - 3/8" x 2"	3
6	192- 21	LOCK WASHER - 3/8"	15
7	113- 209	BOLT - 3/8" - 16 x 1-1/2" (use 35 ft. lb. or torque)	3
8	C 31566	SPINDLE - outboard	2
9	C 29431	SPACER - spindle	3
10	C 31570	BLADE - 13-1/2" (RM38)	3
10	C 31571	BLADE - 15-1/2" (RM44, RM44GR)	3
10	C 31572	BLADE - 17" (RM48)	3
11	113- 206	BOLT - 3/8" - 16 x 3/4" (use 15 ft. lb. of torque)	12
12	C 31558	SPINDLE - center (RM38)	1
12	C 31559	SPINDLE - center (RM44, RM44GR)	1
12	C 31560	SPINDLE - center (RM48)	1
13	C 25544	SHIELD - bearing	3
14	219- 20	FITTING - lubrication 1/4" - 28 (if used)	3



DECK, BELTS AND DECK COVERS

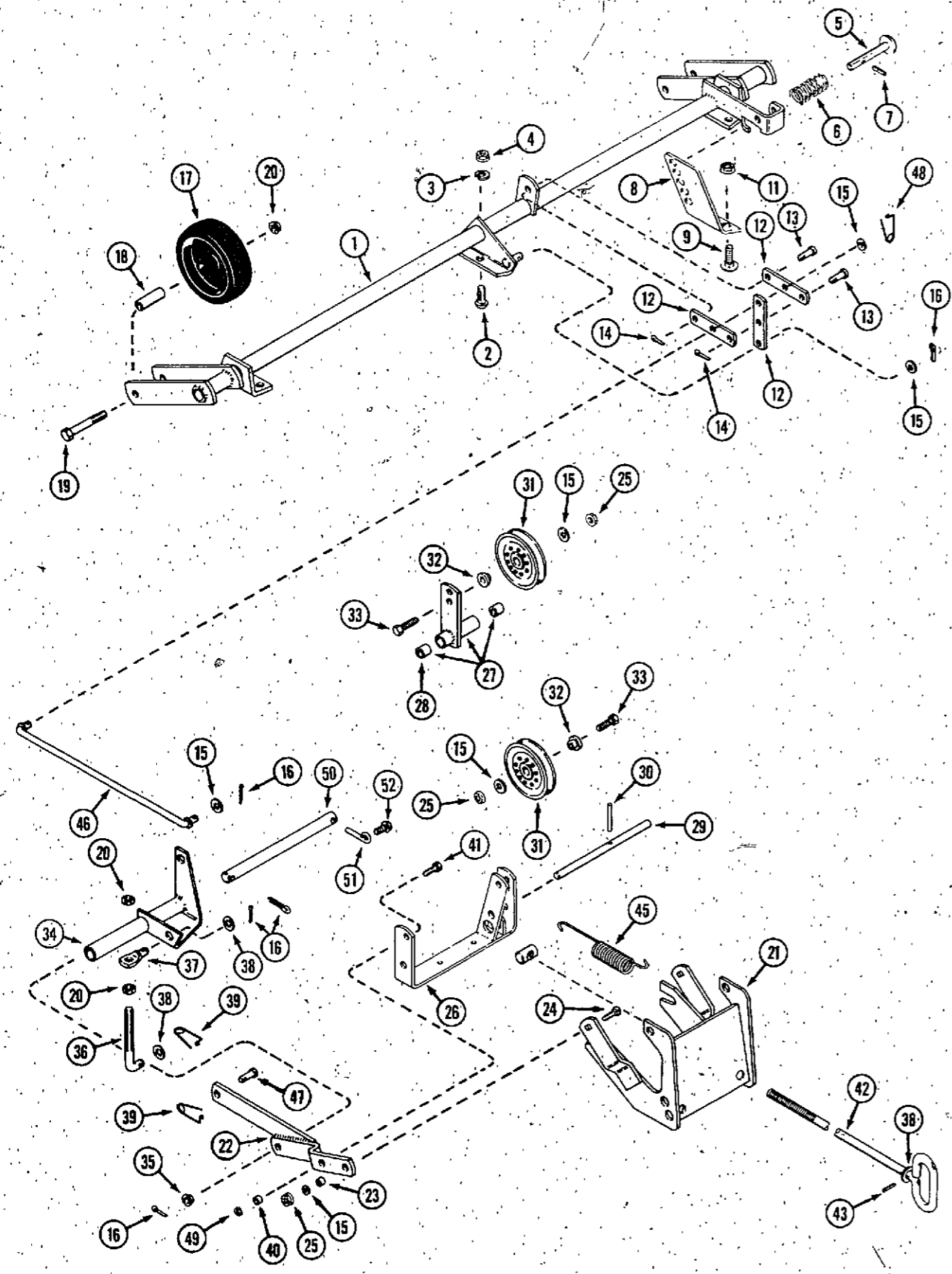
REF.	PART NO.	DESCRIPTION	REQ'D
1	C 31385	DECK - mower 60" (1520mm)	1
2	C 25687	BELT - spindle drive	2
3	C 25689	GUARD - deck belt	2
4	187-1036	SCREW - 1/4" - 20 x 1/2" self-tapping	12
5	C 28977	ROLLER - 2-1/2" x 7" (63.5 x 177.8 mm)	1
6	C 26405	SHAFT - roller	1
7	132-310	PIN - cotter 1/8" x 1" (3.17 x 25.4mm)	2
8	C 28976	ROLLER - 2-1/2" x 2-3/8" (63.5 x 60.32 mm) rear	2
9	C 25620	SPACER - sleeve	4
10	113-447	BOLT - 1/2" - 13 x 3" hex	4
11	131-930	NUT - lock 1/2" hex flange	6
12	192-21	LOCK WASHER - 3/8" (early production)	2
13	131-938	NUT - 3/8" - 16 flange lock	2
14	195-541	WASHER - 5/8"	1
15	C 26653	BELT - "V" mower drive	1
16	113-252	BOLT - 3/8" - 16" x 3-3/4"	2
17	C 26958	LINK - mower lift 8"	2
18	C 10821	PIN - clevis	2
19	195-533	WASHER - 1/2"	2
20	C 10898	PIN - retaining, special	2
21	C 27731	SPACER - sleeve	2
22	138-106	PIN - roll 3/16" x 2-1/2"	1
23	C 27730	WHEEL - anti-scalp (use before PIN 010308212)	2
23	C 44872	WHEEL - anti-scalp (use PIN 010308212 and after)	2



AXLE AND MOUNTING BRACKETS

(use before PIN 010306016)

REF.	PART NO.	DESCRIPTION	REQ'D
1	C 31395	AXLE - rear	1
2	111- 340	BOLT - carriage 3/8" - 16 x 3/4"	6
3	192- 21	LOCK WASHER - 3/8" (early production)	6
4	131- 938	NUT - 3/8" - 16 hex flange lock	6
5	C 20005	PIN - locking	1
6	C 10482	SPRING - tension	1
7	138- 96	PIN - roll	1
8	C 15935	BRACKET - height adjust	1
9	111- 132	BOLT - carriage 5/16" - 18 x 3/4"	2
10	193- 29	LOCK WASHER - 5/16"	2
11	131- 911	NUT - 5/16" - 18 flange lock	2
12	C 26384	LINK - rock arm	3
13	141- 4	PIN - clevis 3/8"	2
14	132- 321	PIN - cotter 3/32" x 1"	2
15	195- 525	WASHER - 3/8"	8
16	132- 310	PIN - cotter 1/8" x 1"	7
17	C 25682	WHEEL - height adjust	2
18	C 25683	SPACER - sleeve	2
19	113- 447	BOLT - 1/2" - 13 x 3-1/2"	2
20	131- 930	NUT - lock 1/2" - 13 hex flange	4
	C 31397	CARRIAGE ASSEMBLY	1
21	C 31399	BRACKET - front mounting	1
22	NSS	LINK - tow R.H. (shown) (use C44538 kit)	1
22	NSS	LINK - tow L.H. (use C44538 kit)	1
23	C 16573	SPACER - sleeve	2
24	111- 366	BOLT - carriage 3/8" - 16 x 1-1/4"	2
25	131- 1352	NUT - lock 3/8" - 16 hex flange	4
26	C 31401	BRACKET - idler pulleys	1
27	C 26394	ARM - idler pulley	1
28	C 17597	BEARING - sleeve	2
29	C 26390	SHAFT - pivot, pulley arm	1
30	138- 106	PIN - roll 3/16" x 2-1/2"	1
31	C 25370	PULLEY - idler	2
32	C 12264	BUSHING - pulley	2
33	113- 209	BOLT - 3/8" - 16 x 1-1/2" hex	2
34	NSS	BELL CRANK - (use C44538 kit)	1
35	C 24182	BUSHING - flange	2
36	C 19502	BOLT - "J"	1
37	C 26033	PIN - adjust	1
38	195- 533	WASHER - 1/2"	3
39	C 10898	PIN - safety	3
40	C 16573	SPACER - sleeve	2
41	113- 207	BOLT - 3/8" - 16 x 1" hex	2
42	C 26890	SCREW - idler adjust	1
43	138- 92	PIN - roll 3/16" x 3/4"	2
44	C 14269	NUT - adjust, special	1
45	C 26386	SPRING - tension	1
46	C 26385	LINK - leveler	1
47	C 10821	PIN - clevis	2
48	C 10883	PIN - safety	1
49	131- 938	NUT - 3/8" - 16 flange head	2
50	C 44638	LINK - rock arm	1



AXLE AND MOUNTING BRACKETS

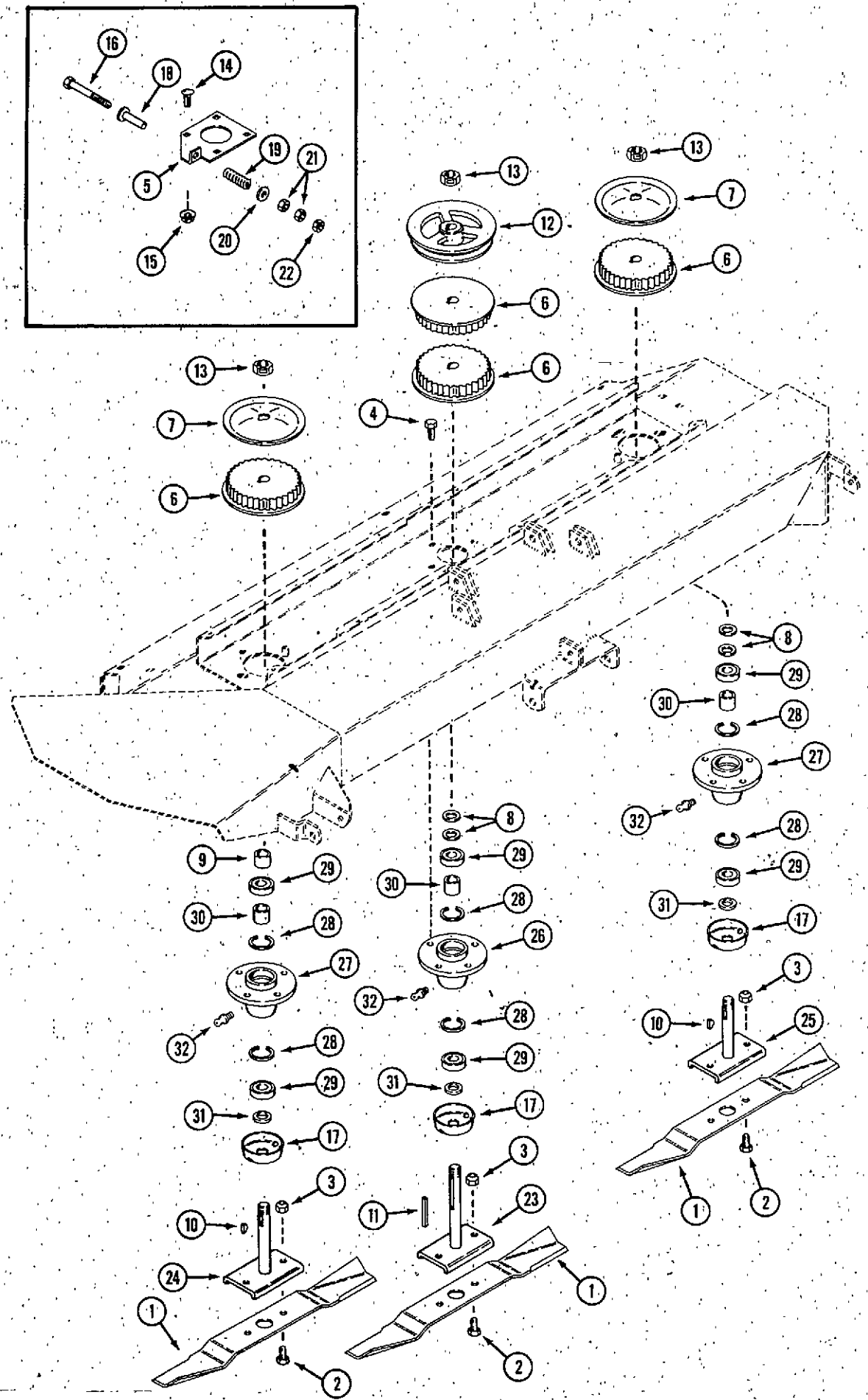
(use PIN 010306016 and after)

REF.	PART NO.	DESCRIPTION	REQ'D
1	C 31395	AXLE - rear	1
2	111- 340	BOLT - carriage 3/8" - 16 x 3/4"	6
3	192- 21	LOCK WASHER - 3/8" (early production)	6
4	131- 938	NUT - 3/8" - 16 hex flange lock	6
5	C 20005	PIN - locking	1
6	C 10482	SPRING - tension	1
7	138- 96	PIN - roll	1
8	C 15935	BRACKET - height adjust	1
9	111- 132	BOLT - carriage 5/16" - 18 x 3/4"	2
10	193- 29	LOCK WASHER - 5/16"	2
11	131- 911	NUT - 5/16" - 18 flange lock	2
12	C 26384	LINK - rock arm	3
13	141- 4	PIN - clevis 3/8"	2
14	132- 321	PIN - cotter 3/32" x 1"	2
15	195- 525	WASHER - 3/8"	8
16	132- 310	PIN - cotter 1/8" x 1"	8
17	C 25682	WHEEL - height adjust	2
18	C 25683	SPACER - sleeve	2
19	113- 447	BOLT - 1/2" - 13 x 3-1/2"	2
20	131- 930	NUT - lock 1/2" - 13 hex flange	4
	C 44519	CARRIAGE ASSEMBLY	1
21	C 31399	BRACKET - front mounting	1
22	C 44523	LINK - tow R.H. (shown)	1
22	C 44524	LINK - tow L.H.	1
23	C 16573	SPACER - sleeve	2
24	111- 366	BOLT - carriage 3/8" - 16 x 1-1/4"	2
25	131- 1352	NUT - lock 3/8" - 16 hex flange	4
26	C 31401	BRACKET - idler pulleys	1
27	C 26394	ARM - idler pulley	1
28	C 17597	BEARING - sleeve	2
29	C 26390	SHAFT - pivot, pulley arm	1
30	138- 106	PIN - roll 3/16" x 2-1/2"	1
31	C 25370	PULLEY - idler	2
32	C 12264	BUSHING - pulley	2
33	113- 209	BOLT - 3/8" - 16 x 1-1/2" hex	2
34	C 44526	BELL CRANK	1
35	C 24182	BUSHING - flange	2
36	C 19502	BOLT - "J"	1
37	C 26033	PIN - adjust	1
38	195- 533	WASHER - 1/2"	3
39	C 10898	PIN - safety	3
40	C 16573	SPACER - sleeve	2
41	113- 207	BOLT - 3/8" - 16 x 1" hex	2
42	C 26890	SCREW - idler adjust	1
43	138- 92	PIN - roll 3/16" x 3/4"	2
44	C 14269	NUT - adjust, special	1
45	C 26386	SPRING - tension	1
46	C 26385	LINK - leveler	1
47	C 10821	PIN - clevis	2
48	C 10883	PIN - safety	1
49	131- 938	NUT - 3/8" - 16 flange head	2
50	C 44529	ROD	1
51	C 44530	PIN - retainer	1
52	187- 1036	SCREW - 1/4" - 20 x 1/2" self-tap	1
53	C 44638	LINK - rock arm	1

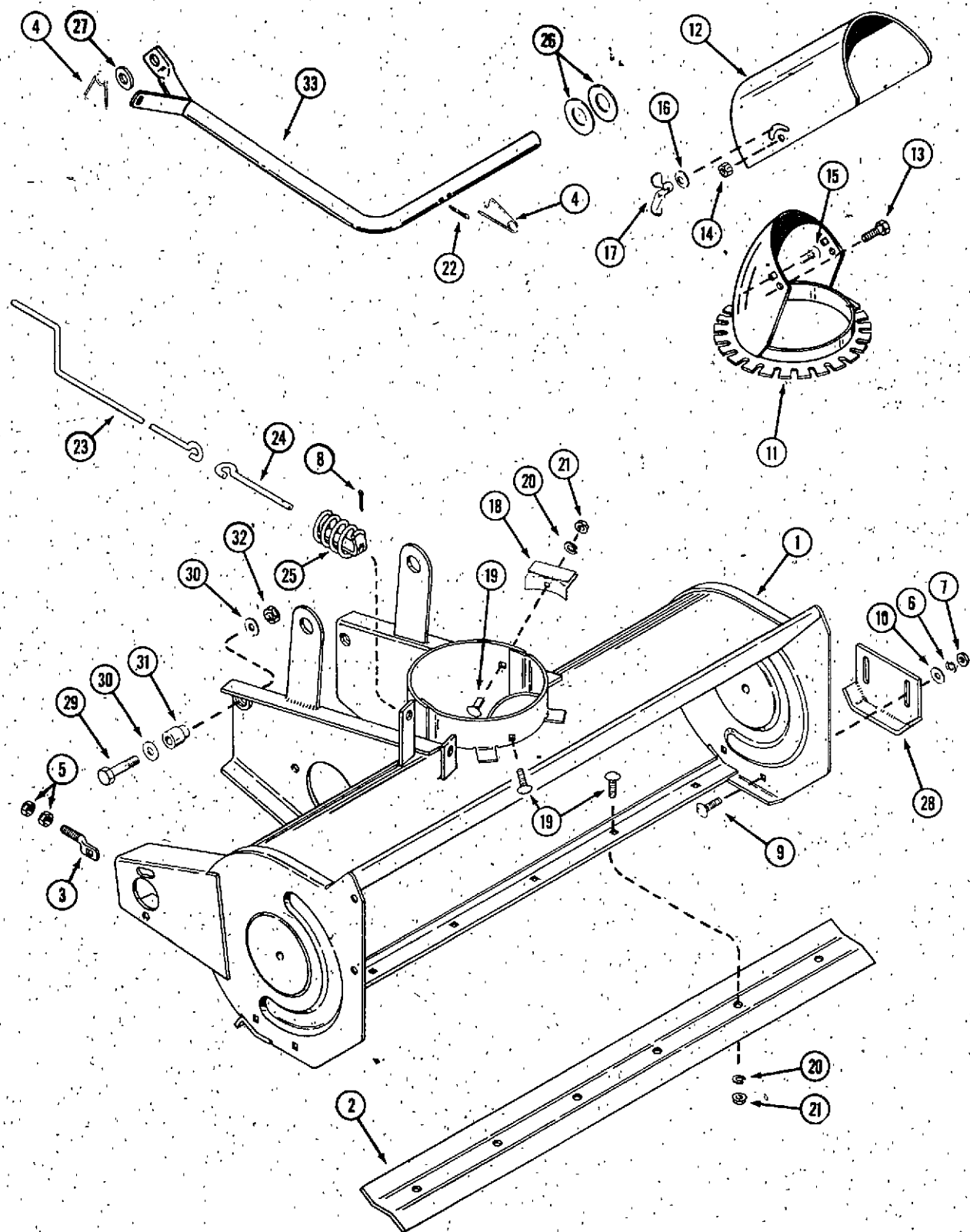
PULLEYS, BLADES AND SPINDLES

REF.	PART NO.	DESCRIPTION	REQ'D
1	C 31393	BLADE	3
2	113- 268	BOLT - 3/8" - 16 x 7/8" hex	6
3	131- 1216	NUT - lock 3/8" hex	6
4	113- 206	BOLT - 3/8" - 16 x 3/4" hex	4
5	C 31394	BRACKET - belt adjusting, deck	2
6	C 25781	SPROCKET - spindle drive	4
7	C 25642	WASHER - belt retaining, special	2
8	C 28972	WASHER	4
9	C 25643	SPACER - spindle	1
10	126- 16	KEY - Woodruff #9 3/16" x 3/4"	2
11	C 25644	KEY - square	1
12	C 25645	PULLEY - drive	1
13	131- 1331	NUT - lock 3/4" hex	3
14	111- 371	BOLT - 3/8" - 16 x 1" carriage	8
15	131- 938	NUT - 3/8" flange lock	8
16	123- 101	BOLT - 5/16" - 18 x 4" hex	2
17	C 25543	SHIELD - bearing	3
18	C 25829	SPACER - sleeve	2
19	C 25688	SPRING - compression	2
20	195- 520	WASHER - .312" I.D. x .88" O.D.	2
21	129- 102	NUT - 5/16" hex	4
22	131- 176	NUT - lock 5/16" hex	2
23	C 25627	SPINDLE - center	1
24	C 25632	SPINDLE - R.H.	1
25	C 25635	SPINDLE - L.H.	1
26	NSS*	HOUSING - center spindle (use C40722 and 219-20)	1
26	C 40722**	HOUSING - center spindle	1
27	NSS*	HOUSING - outward spindle (use C40955 and 219-20)	2
27	C 40955**	HOUSING - outward spindle	2
28	C 16516	RING - retaining	6
29	C 28971	BEARING - spindle	6
30	C 10810	SPACER - spindle bearing	3
31	C 25541	SPACER - spindle	3
32	219- 20	FITTING - lubrication 1/4" - 28 (if used)	3

* Use before PIN: 010308001
 **Use PIN 010308001 and after

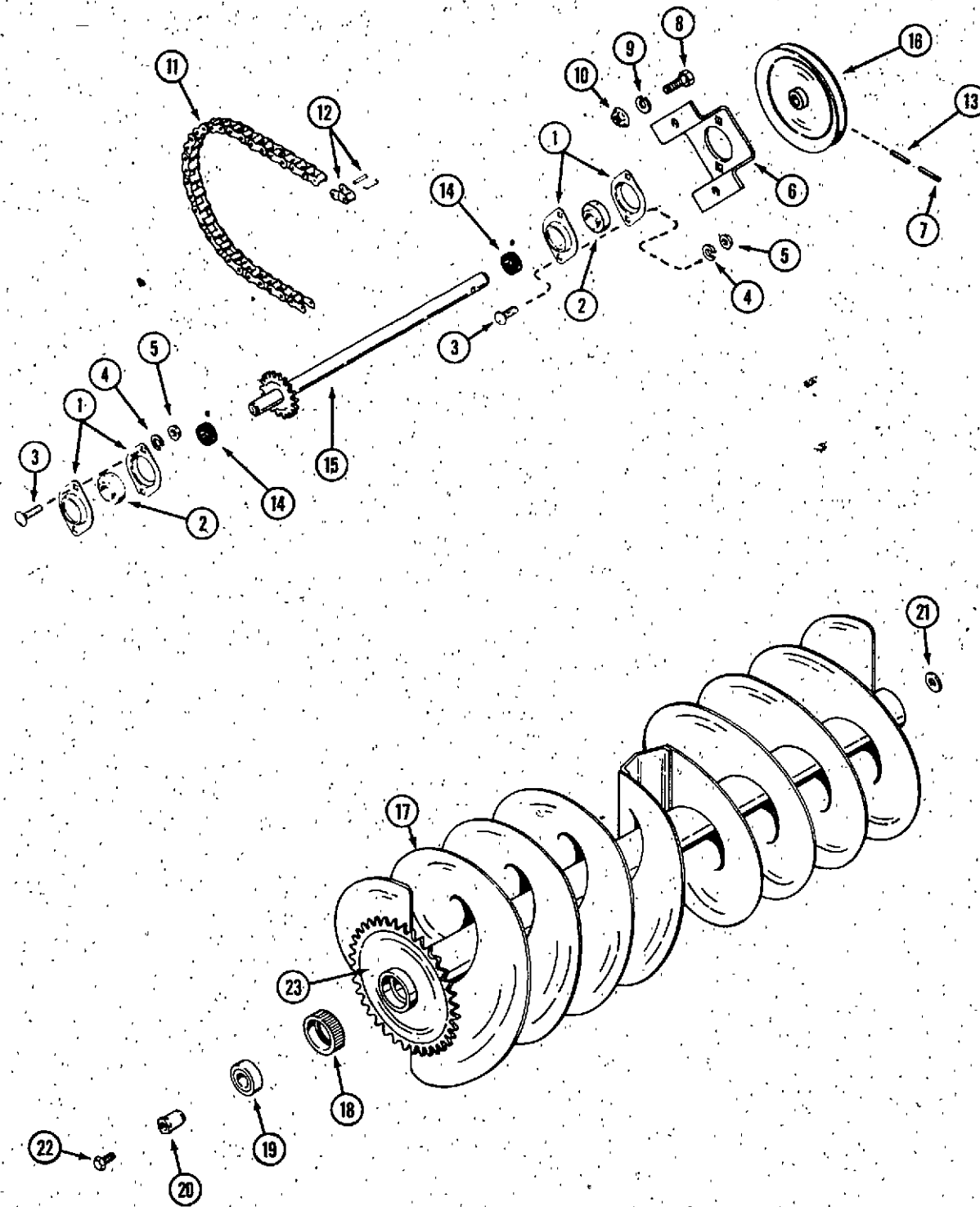


AUGER HOUSING, CHUTE CONTROL AND LIFT ASSEMBLY



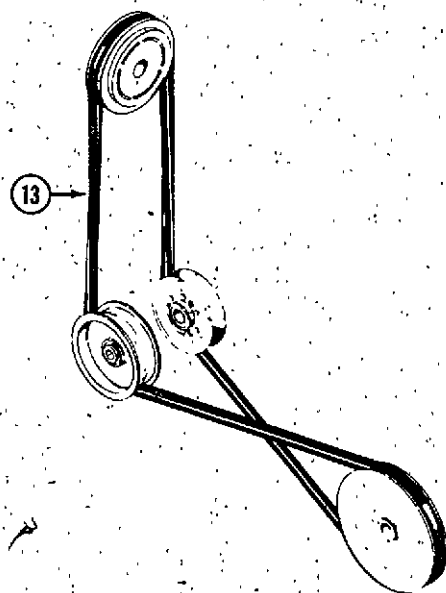
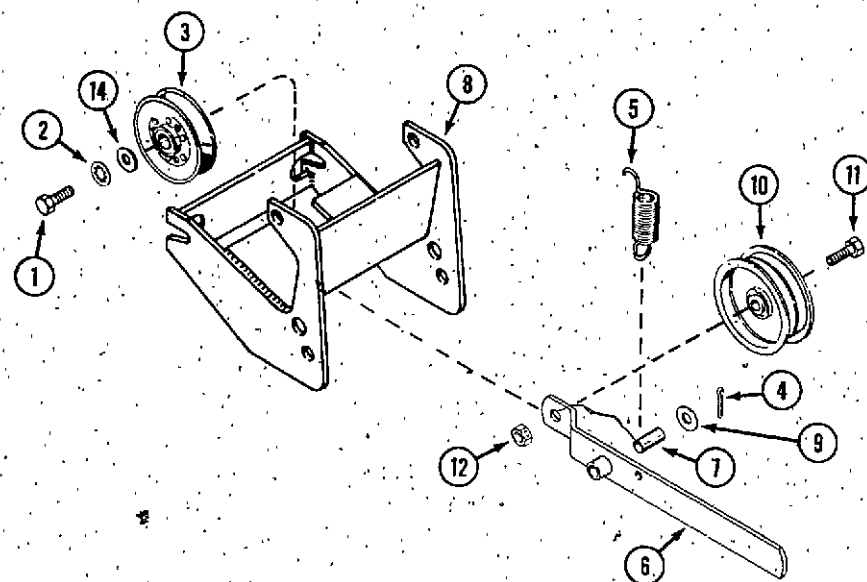
REF.	PART NO.	DESCRIPTION	REQ'D
1	C 31899	HOUSING - auger 38" (SB38G)	1
1	C 31900	HOUSING - auger 48" (SB48)	1
2	C 17776	BLADE - snowblower (SB48)	1
2	C 17878	BLADE - snowblower (SB38G)	1
3	C 29877	SCREW - chain adjust	1
4	C 10898	PIN - safety	2
5	129- 163	NUT - 3/8" - 24 lock	2
6	192- 21	LOCK WASHER - 3/8" ZP (early production)	4
7	131- 938	NUT - 3/8" NC hex ZP	4
8	132- 300	PIN - cotter 1/8" x 7/8"	1
9	111- 371	BOLT - 3/8" x 1" NC carriage	4
9	111- 340	BOLT - 3/8" - 16 x 3/4" carriage	4
10	195- 525	WASHER - 3/8" ZP (early production)	4
11	C 15248	CHUTE	1
12	C 16940	DEFLECTOR	1
13	113- 1	BOLT - 1/4" x 1/2" NC hex ZP	2
14	131-1102	NUT - lock 1/4" NC hex ZP	2
15	111- 340	BOLT - 3/8" x 3/4" NC carriage	2
16	C 28263	WASHER - dished 25/64 x 1" O.D.	2
17	C 22774	WINGNUT - deflector locking	2
18	C 15334	BRACKET - chute holddown	3
19	111- 132	BOLT - 5/16" x 3/4" NC carriage	UAR
20	192- 20	LOCK WASHER - 5/16" ZP (early production)	UAR
21	131- 911	NUT - 5/16" NC hex ZP flange	UAR
22	132- 332	PIN - cotter 3/32" x 1-1/2"	1
23	C 24644	CRANK - chute	1
24	C 24643	ROD - chute, control	1
25	C 24640	COIL - chute control	1
26	195- 2134	WASHER - 1-3/16" x 2-1/4" ZP	2
27	195- 541	WASHER - 21/32" x 1-5/16"	1
28	C 17775	SKID - shoe	2
29	113- 412	BOLT - 1/2" x 1-3/4" NC hex	2
30	195- 534	WASHER - 1/2"	4
31	C 25580	BUSHING - pivot	2
32	131-1182	NUT - lock 1/2"	2
33	C 31995	ARM - lift	1

AUGER AND DRIVE ASSEMBLY

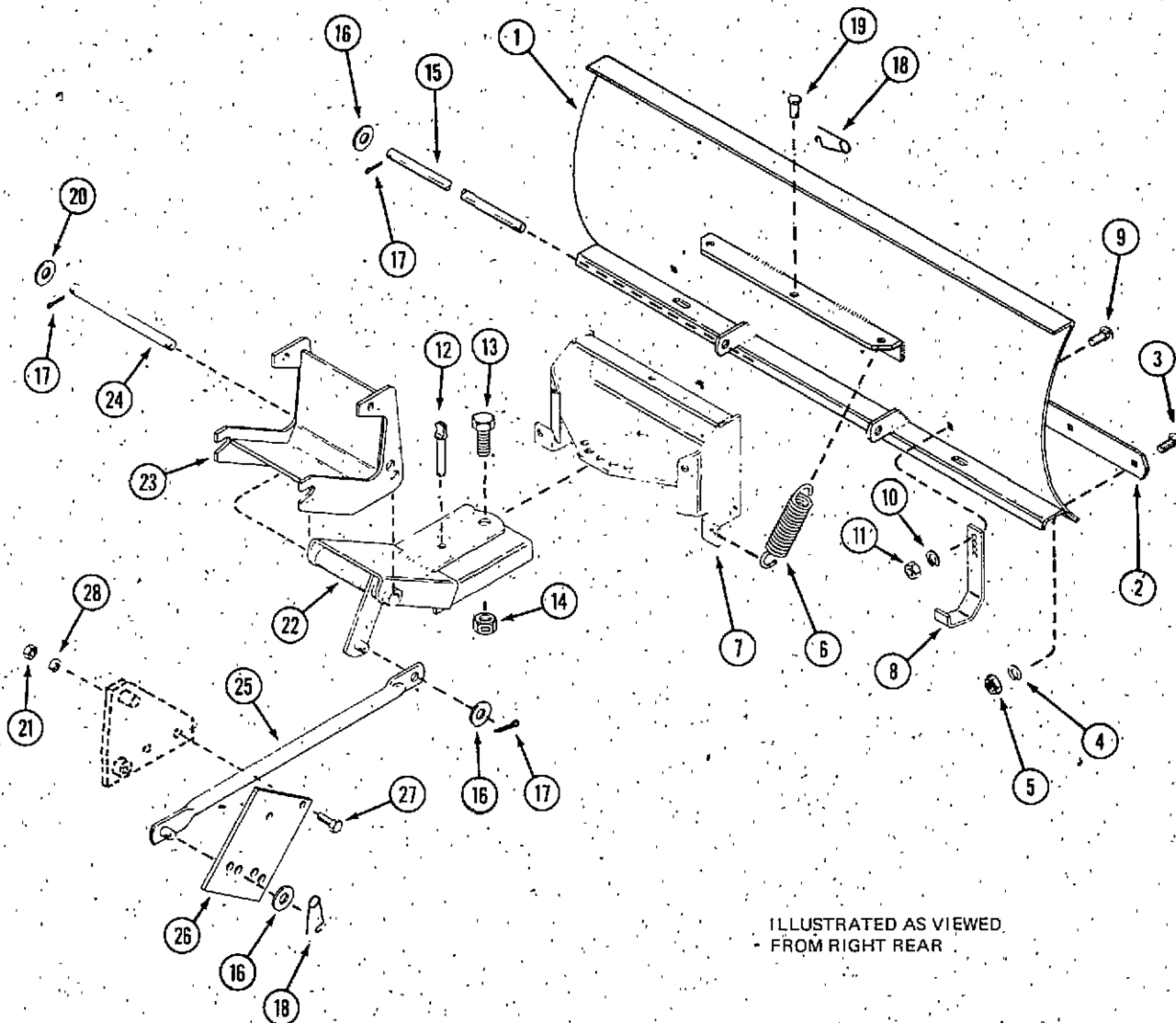


REF.	PART NO.	DESCRIPTION	REQ'D
1	C 28277	FLANGETTE	4
2	C 28817	BEARING	2
3	111- 132	BOLT - 5/16" x 3/4" NC ZP carriage	UAR
4	192- 20	LOCK WASHER - 5/16" ZP (early production)	4
5	131- 911	NUT - 5/16" NC hex ZP flange lock	4
6	C 28209	BRACKET - bearing	1
7	138- 81	PIN - roll 5/32" x 1-1/2"	1
8	113- 206	BOLT - 3/8" - 16 x 3/4"	2
9	192- 21	LOCK WASHER - 3/8", (early production)	2
10	131- 938	NUT - 3/8" - 16 flange lock	2
11	C 18183	CHAIN - auger drive .75 pitches #40 roller chain	1
	C 28982	LINK - connecting #40	1
	C 28984	LINK - roller #40	2
12	C 28983	LINK - offset #40	2
13	138- 138	PIN - roll 1/4" - 1-1/2"	1
14	NSS	COLLAR - locking (included with item 2)	2
15	C 31907	SHAFT - drive (SB38G)	1
15	C 31908	SHAFT - drive (SB48)	1
16	C 31953	PULLEY - drive shaft	1
17	C 25205	AUGER - 38" (SB38G)	1
17	C 25853	AUGER - 48" (SB48)	1
18	C 25840	SLEEVE - bearing	2
19	C 28971	BEARING - auger	2
20	C 25841	SHAFT - stub	2
21	195- 522	WASHER - spacer 3/8"	UAR
22	121- 226	BOLT - 3/8" x 1" NC hex (use lock sealant on threads) flange lock	2
23	C 16109	SPROCKET - auger (is welded to auger)	1

BELT AND IDLER ASSEMBLY



REF.	PART NO.	DESCRIPTION	REQ'D
1	113- 206	BOLT - 3/8" x 3/4" NC hex ZP	1
2	193- 68	WASHER - 3/8" internal tooth	1
3	C 25370	PULLEY - idler 4"	1
4	132- 318	PIN - cotter	1
5	C 16870	SPRING - idler	1
6	C 31918	ARM - idler	1
7	C 16714	BUSHING - idler arm	1
8	C 31913	FRAME - idler	1
9	195- 533	WASHER - 1/2" ZP	1
10	C 26090	PULLEY - backside idler 4"	1
11	113- 410	BOLT - 1/2" x 1-1/2" NC hex ZP	1
12	131- 1182	NUT - lock 1/2" NC hex ZP	1
13	C 23949	BELT - (use with 3000 series tractors) 76-1/2"	1
13	C 23539	BELT - (use with 4000 series tractors)	1
14	195- 103	WASHER - 3/8"	1



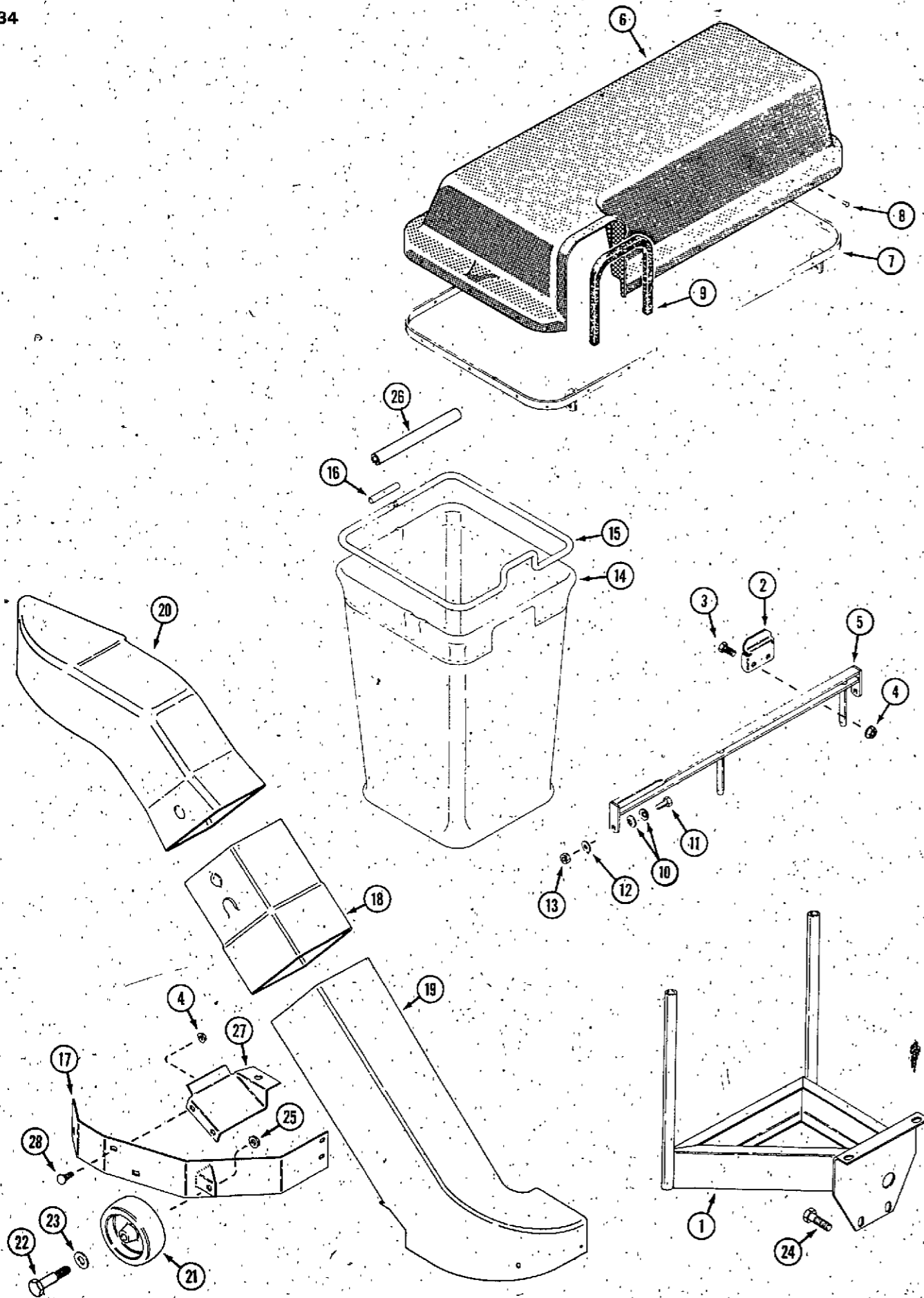
ILLUSTRATED AS VIEWED
FROM RIGHT REAR

BLADE, BRACKET AND LIFT ASSEMBLY

REF.	PART NO.	DESCRIPTION	REQ'D
1	C 16524	BLADE - 44" shown (UB44)	1
1	C 16525	BLADE - 54" (UB54)	1
2	C 10871	EDGE - 44" (UB44)	1
2	C 14440	EDGE - 54" (UB54)	1
3	111- 203	BOLT - 5/16" x 1" NC rd. hd. square neck	UAR
3	111- 132	BOLT - 5/16" - 18 x 3/4" carriage	UAR
4	192- 20	LOCK WASHER - 5/16" (early production)	UAR
5	131- 911	NUT - 5/16" NC hex	UAR
6	C 16805	SPRING - blade	2
7	C 22741	BRACKET - pivot	1
8	C 25876	SKID	2
9	111- 371	BOLT - 3/8" x 1" NC rd. hd. square neck	2
10	192- 21	LOCK WASHER - 3/8"	2
11	129- 103	NUT - 3/8" NC hex	2
12	C 10888	PIN - lock	1
13	113- 713	BOLT - 3/4" x 1-3/4" NC hex	1
14	131-1112	NUT - lock, 3/4" NC hex	1
15	C 16529	ROD - front pivot	1
16	195- 541	WASHER - 5/8"	4
17	132- 310	PIN - cotter 1/8" x 1"	5
18	C 10898	PIN - safety	2
19	141- 56	PIN - clevis 1/2" x 1-3/8"	2
20	C 12975	WASHER - 3/4" ID x 1-1/8"	2
21	129- 105	NUT - 1/2" hex	2
22	C 23702*	BRACKET - blade lift	1
22	C 44221**	BRACKET - blade lift	1
23	C 25571*	BRACKET - mounting	1
23	C 44287**	BRACKET - mounting	1
24	C 23713	ROD - rear pivot	1
25	C 23841	ROD - lift	1
26	C 25382	PLATE - adapter, lift bracket	2
27	113- 417	BOLT - 1/2" x 1-1/4" hex	2
28	192- 23	LOCK WASHER - 1/2"	2

* Use before PIN:
**Use PIN and after:
UB44 - 020307007
UB54 - 020308001

BAGGER ASSEMBLY



REF.	PART NO.	DESCRIPTION	REQ'D
1	C 34783	FRAME - mounting	1
2	C 28436	BRACKET - retaining, hopper	1
3	113- 102	BOLT - 5/16" x 3/4"	4
4	131- 911	NUT - 5/16" flange lock	UAR
5	C 28434	FRAME - support	1
6	C 32101	COVER - bagger	1
7	C 29871	HINGE - cover	1
8	151- 88	RIVET - 3/16" x 5/16"	17
9	C 24610	SEAL - chute	1
10	C 25114	SPRING WASHER - Belleville	4
11	113- 103	BOLT - 5/16" - 18 x 1"	2
12	195- 521	WASHER - 5/16"	2
13	131- 176	NUT - 5/16" - 18 lock	2
14	C 28438	BAG - grass	2
15	C 28439	ROD - bag, support	2
16	C 28440	TUBE - retaining	2
17	C 36792	GUARD - lower chute	1
18	C 30773	CHUTE - middle	1
19	C 34771	CHUTE - lower	1
20	C 34781	CHUTE - upper	1
21	C 33709	WHEEL - anti scalp	1
22	C 16745	BOLT - shoulder	1
23	195- 533	WASHER - 1/2"	1
24	113- 417	BOLT - 1/2" - 13 x 1-1/4"	2
25	131- 938	NUT - 3/8" - 16 flange lock	1
26	C 32400	GUARD - bag	2
27	C 36796	DEFLECTOR - chute	1
28	111- 132	BOLT - 5/16" - 18 x 3/4" carriage	7

DECALS

REF.	PART NO.	DESCRIPTION	REQ'D
1	C 31494	DECAL - mower drive belt (RM38, RM44, RM44GR, RM48)	1
2	C 12519	DECAL - "NO STEP" (RM38, RM42G, RM44, RM44GR, RM48, RM60)	2
3	321-6210	DECAL - cutting height (RM38, RM44, RM44GR, RM48, RM60)	1
4	C 31086	DECAL - flying debris (RM38, RM42G, RM44, RM44GR, BG42G, RM60)	1
5	C 31087	DECAL - spinning blade (RM38, RM44, RM44GR, RM48, MR60)	1
6	C 42578	DECAL - mower drive belt (RM60)	1
7	C 31409	DECAL - spindle drive belt (RM60)	2
8	321-6263	DECAL - "commercial" (RM60)	1
9	321-3932	DECAL - "Caution" Pinch point (UB44, UB54)	1
10	C 32093	DECAL - "Ingersoll" (UB44, UB54, SB38G, SB48)	1
11	C 31896	DECAL - belt drive (SB38G, SB48)	1
12	C 36800	DECAL - mower drive belt (RM42G)	1
13	C 31088	DECAL - caution (BG42G)	1
14	C 31089	DECAL - danger (BG42G)	1
15	C 31090	DECAL - cutting height (RM42G)	1

5 **DANGER**

SPINNING BLADE
KEEP CLEAR
CONTACT CAN INJURE.

4 **WARNING**

FLYING DEBRIS
OPERATE MOWER ONLY
WITH DISCHARGE CHUTE
GUARD/COVER OR COMPLETE
GRASS CATCHER IN PLACE.
DEBRIS MAY CAUSE INJURY

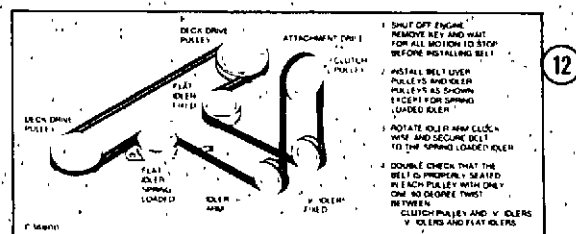
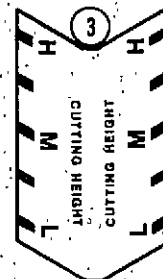
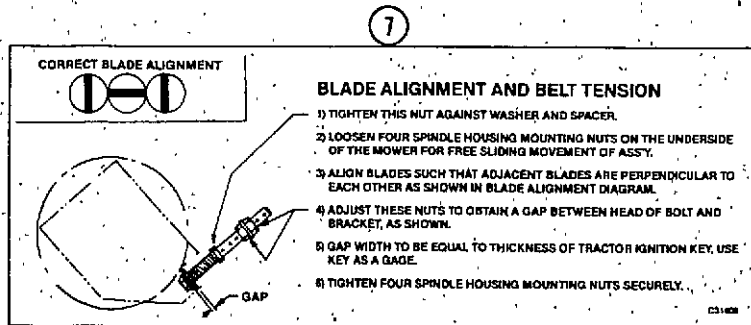
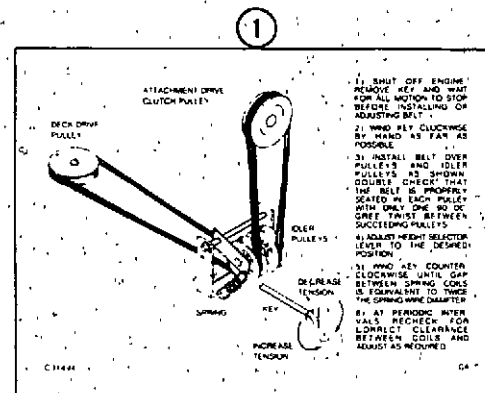
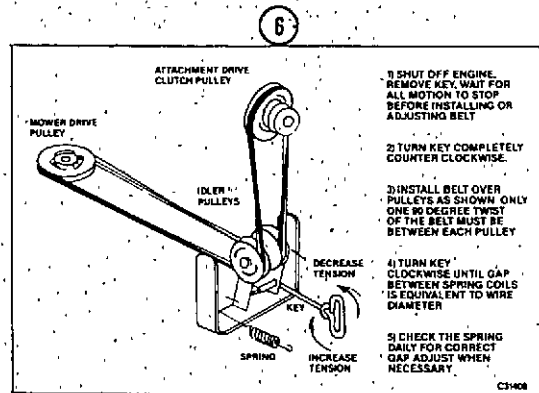
14 **DANGER**

SPINNING BLADE
SEE OPERATOR'S MANUAL BEFORE
ATTEMPTING TO CLEAR PLUGGED
DISCHARGE CHUTE.
CONTACT WITH BLADE CAN RESULT IN
SERIOUS INJURY.

2 **NO STEP**

8 **COMMERCIAL**

10 **INGERSOLL**



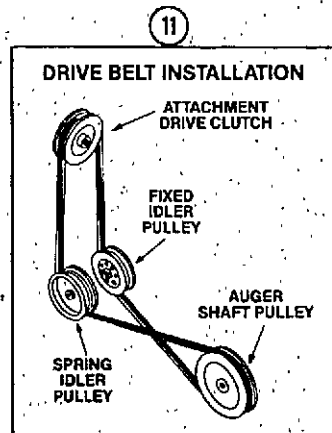
13 **CAUTION**

FLYING DEBRIS.
1. DO NOT RAISE COVER WHILE OPERATING.
2. PROPERLY INSTALL BAGGER AND CHUTE BEFORE STARTING MOWER. SEE OPERATOR'S MANUAL FOR FURTHER INSTRUCTIONS.

9 **CAUTION**

KEEP HANDS AND FEET CLEAR OF THIS AREA.

PINCH POINT.
THIS PIN LOCKS BLADE IN FIXED DOZING POSITION. REMOVING PIN ALLOWS BLADE TO TILT WITH SPRING TRIP ACTION FOR SNOW REMOVAL USE. STORE PIN IN HOLE AND SECURE WITH SAFETY PIN. SEE MANUAL FOR COMPLETE INSTRUCTIONS.



NUMERICAL INDEX

PART NO.	PAGE NO.	REF. NO.
C10482	9	4
C10482	17	14
C10482	21	6
C10482	23	3
C10810	17	3
C10810	25	30
C10821	9	29
C10821	11	27
C10821	13	27
C10821	15	22
C10821	17	9
C10821	19	18
C10821	21	47
C10821	23	47
C10871	33	2
C10883	21	48
C10883	23	48
C10888	33	12
C10898	9	24
C10898	19	20
C10898	21	39
C10898	23	39
C10898	27	4
C10898	33	18
C12251	11	16
C12251	13	16
C12264	9	8
C12264	15	20
C12264	21	32
C12264	23	32
C12519	37	2
C12975	33	20
C14269	15	2
C14269	21	44
C14269	23	44
C14768	11	21
C14768	13	21
C14768	15	9
C14768	17	24
C15248	27	11
C15334	27	18
C15334	17	17
C15335	17	17
C15335	21	8
C15335	23	8
C16109	29	23
C16516	25	28
C16524	33	1
C16525	33	1
C16529	33	15
C16573	9	2
C16573	15	14
C16573	21	23
C16573	23	40
C16573	23	23
C16573	23	40
C16714	7	24
C16714	15	9
C16714	31	7
C16745	5	13
C16745	9	15
C16745	11	30
C16745	35	22
C16805	33	6
C16870	31	5
C16940	27	12
C17597	21	28
C17597	23	28
C17775	27	28
C17776	27	2
C17878	27	2
C18183	29	11

PART NO.	PAGE NO.	REF. NO.
C18315	13	6
C19502	21	36
C19502	23	36
C20005	9	12
C20005	17	13
C20005	21	5
C20005	23	5
C21942	15	5
C22741	33	7
C22774	27	17
C23358	11	5
C23358	13	5
C23358	13	5
C23539	31	13
C23702	33	22
C23713	33	24
C23808	11	5
C23808	13	5
C23810	13	8
C23841	33	25
C23949	11	8
C23949	13	8
C23949	31	13
C23950	13	8
C24182	15	16
C24182	21	35
C24610	23	5
C24610	35	9
C24640	27	25
C24643	27	24
C24644	27	23
C25114	35	10
C25205	29	17
C25370	9	7
C25370	15	19
C25370	23	31
C25370	31	3
C25382	33	26
C25409	11	23
C25541	7	6
C25541	25	31
C25542	17	4
C25543	7	4
C25543	25	17
C25544	17	13
C25571	33	23
C25580	27	31
C25620	19	9
C25627	25	23
C25632	25	24
C25635	25	25
C25642	25	7
C25643	25	9
C25644	25	11
C25645	25	12
C25682	17	1
C25682	21	17
C25682	23	17
C25683	21	18
C25683	23	18
C25687	19	2
C25688	25	19
C25689	19	3
C25703	13	7
C25781	25	6
C25829	25	18
C25840	29	18
C25841	29	20
C25853	29	17
C25876	33	8
C26033	9	26
C26033	21	37

PART NO.	PAGE NO.	REF. NO.
C26033	23	37
C26090	7	20
C26090	31	10
C26384	21	12
C26384	23	12
C26385	21	46
C26385	23	46
C26386	21	45
C26386	23	45
C26390	21	29
C26390	23	29
C26394	21	27
C26394	23	27
C26405	11	25
C26405	19	6
C26653	19	15
C26736	9	14
C26890	21	42
C26890	23	42
C26958	11	6
C26958	19	17
C27686	7	19
C27730	19	23
C27731	19	21
C28105	9	31
C28105	11	2
C28105	13	2
C28105	15	23
C28105	15	23
C28105	17	25
C28209	29	6
C28263	27	16
C28277	29	1
C28434	35	5
C28436	35	2
C28438	35	14
C28439	35	15
C28440	35	16
C28817	29	2
C28971	7	2
C28971	17	2
C28971	25	29
C28971	29	19
C28972	7	29
C28972	25	8
C28976	19	8
C28977	11	24
C28977	13	32
C28977	19	5
C28982	29	5
C28983	29	12
C28984	29	29
C29431	17	9
C29453	7	3
C29871	35	7
C29877	27	3
C30649	9	3
C30649	11	31
C30729	7	1
C30733	7	8
C30735	7	30
C30736	7	15
C30738	5	3
C30741	5	4
C30744	5	6
C30766	5	7
C30766	13	24
C30767	5	8
C30768	5	9
C30768	13	25
C30773	35	18

5

PART NO.	PAGE NO.	REF. NO.
C31086	37	4
C31087	37	5
C31088	37	13
C31089	37	14
C31090	37	15
C31385	19	1
C31393	25	1
C31394	25	5
C31395	21	1
C31395	23	1
C31397	21	1
C31399	21	21
C31399	23	21
C31401	21	26
C31401	23	26
C31409	37	7
C31452	17	5
C31494	37	1
C31495	13	1
C31496	13	1
C31497	13	1
C31498	17	1
C31499	17	2
C31500	11	10
C31500	13	10
C31501	11	11
C31501	13	11
C31505	13	26
C31507	13	14
C31526	13	14
C31535	13	14
C31546	17	12
C31547	17	12
C31548	17	12
C31558	17	12
C31559	17	12
C31560	17	12
C31566	17	8
C31570	17	10
C31571	17	10
C31572	17	10
C31576	17	5
C31577	17	5
C31579	17	22
C31580	17	8
C31582	15	1
C31582	15	1
C31583	15	3
C31585	15	6
C31589	15	7
C31593	15	12
C31595	15	15
C31606	11	9
C31606	13	9
C31608	11	15
C31608	13	15
C31896	37	11
C31899	27	1
C31900	27	1
C31907	29	15
C31908	29	15
C31913	31	8
C31918	31	6
C31953	29	16
C31995	27	33
C32093	37	10
C32101	35	6
C32400	35	26
C32421	7	5
C32958	13	23
C33275	7	16

NUMERICAL INDEX

PART NO.	PAGE NO.	REF. NO.
C33709	5	12
C33709	11	29
C33709	35	21
C34379	11	7
C34718	11	1
C34719	11	1
C34735	17	27
C34743	17	17
C34771	35	19
C34781	35	20
C34783	35	1
C35370	21	31
C36792	35	17
C36796	35	27
C36800	37	12
C36802	5	2
C36805	5	1
C36813	7	12
C36815	7	23
C36817	11	11
C36823	9	18
C36825	9	1
C36838	9	22
C36839	9	28
C36856	5	4
C36998	7	27
C37004	15	17
C37069	9	10
C37196	7	7
C37327	17	20
C40722	25	26
C40955	25	27
C42578	37	6
C44221	33	22
C44287	33	23
C44519	23	22
C44523	23	22
C44524	23	22
C44526	23	34
C44529	23	50
C44530	23	51
C44560	13	29
C44638	21	50
C44638	23	53
C44655	17	8
C44657	13	14
C44659	13	14
C44661	13	14
C44663	11	14
C44667	17	27
C44672	15	6
C44676	15	7
C44683	15	12
C44685	15	15
C44689	15	15
C44791	17	12
C44801	13	5
C44802	13	5
C44872	19	23
111-101	11	32
111-132	9	21
111-132	13	34
111-132	17	18
111-132	21	9
111-132	23	9
111-132	27	19
111-132	29	3
111-132	33	3
111-132	35	28
111-203	33	3

PART NO.	PAGE NO.	REF. NO.
111-217	5	10
111-340	9	19
111-340	17	16
111-340	21	2
111-340	23	2
111-340	27	9
111-340	27	15
111-366	7	31
111-366	11	17
111-366	13	17
111-366	15	8
111-366	21	24
111-366	23	24
111-371	11	20
111-371	13	20
111-371	25	14
111-371	27	9
111-371	33	9
111-375	11	12
111-375	13	12
113-1	27	13
113-102	35	3
113-103	35	11
113-206	7	17
113-206	17	11
113-206	25	4
113-206	29	8
113-206	31	1
113-207	7	38
113-207	17	23
113-207	21	41
113-207	23	41
113-208	7	13
113-208	15	13
113-209	9	5
113-209	15	21
113-209	17	7
113-209	21	33
113-209	23	33
113-219	15	16
113-241	13	12
113-252	19	16
113-268	25	2
113-410	7	21
113-410	31	11
113-412	27	29
113-417	33	27
113-447	35	24
113-447	19	10
113-447	21	19

NUMERICAL INDEX

PART NO.	PAGE NO.	REF. NO.	PART NO.	PAGE NO.	REF. NO.	
131-911	13	35	141-	4	21	13
131-911	17	19	141-	4	23	13
131-911	21	11	141-	5	17	9
131-911	23	11	141-	5	9	25
131-911	27	21	141-	5	33	19
131-911	29	5	151-	8	35	8
131-911	33	5	164-	5	15	8
131-911	35	4	187-10	36	5	5
131-930	9	23	187-10	36	11	4
131-930	17	4	187-10	36	13	4
131-930	19	11	187-10	36	19	4
131-930	21	20	187-10	36	23	52
131-930	23	20	192-	20	27	20
131-934	11	33	192-	20	29	4
131-938	5	15	192-	20	33	4
131-938	9	17	192-	21	7	18
131-938	9	20	192-	21	7	28
131-938	11	13	192-	21	7	34
131-938	13	13	192-	21	17	6
131-938	17	6	192-	21	19	12
131-938	19	13	192-	21	21	3
131-938	21	4	192-	21	23	3
131-938	23	4	192-	21	27	6
131-938	23	49	192-	21	29	9
131-938	25	15	192-	21	33	10
131-938	27	7	192-	23	33	28
131-938	29	10	193-	29	21	10
131-938	35	25	193-	29	31	10
131-1102	27	14	193-	68	2	2
131-1112	33	14	195-	103	31	14
131-1182	7	22	195-	105	11	22
131-1182	27	32	195-	105	13	22
131-1182	31	12	195-	200	7	36
131-1216	25	3	195-	200	22	20
131-1331	7	11	195-	221	35	12
131-1331	25	13	195-	221	29	21
131-1352	7	39	195-	225	9	9
131-1352	9	6	195-	225	11	18
131-1352	11	19	195-	225	13	18
131-1352	13	19	195-	225	15	10
131-1352	15	11	195-	225	17	10
131-1352	17	26	195-	225	21	15
131-1352	21	25	195-	225	23	15
131-1352	23	25	195-	225	27	10
132-300	27	8	195-	333	5	14
132-310	7	26	195-	333	7	25
132-310	9	30	195-	333	9	16
132-310	15	18	195-	333	11	3
132-310	17	7	195-	333	13	3
132-310	19	7	195-	333	15	17
132-310	21	16	195-	333	17	21
132-310	23	16	195-	333	19	19
132-310	33	17	195-	333	23	38
132-318	31	4	195-	333	31	9
132-320	17	11	195-	333	35	23
132-321	21	14	195-	334	27	30
132-321	23	14	195-	41	11	28
132-332	27	22	195-	41	13	33
138-81	29	7	195-	41	17	3
138-92	21	43	195-	41	19	14
138-92	23	43	195-	41	27	27
138-96	9	13	195-	41	33	16
138-96	17	15	195-	41	27	26
138-96	21	7	219-	20	17	14
138-96	23	7	219-	20	25	32
138-106	11	26	321-3	32	37	9
138-106	19	22	321-6	210	37	3
138-106	21	30	321-6	263	37	8
138-106	23	30				
138-138	29	13				
138-2073	15	4				

INGERSOLL
Ingersoll Equipment Co., Inc.