

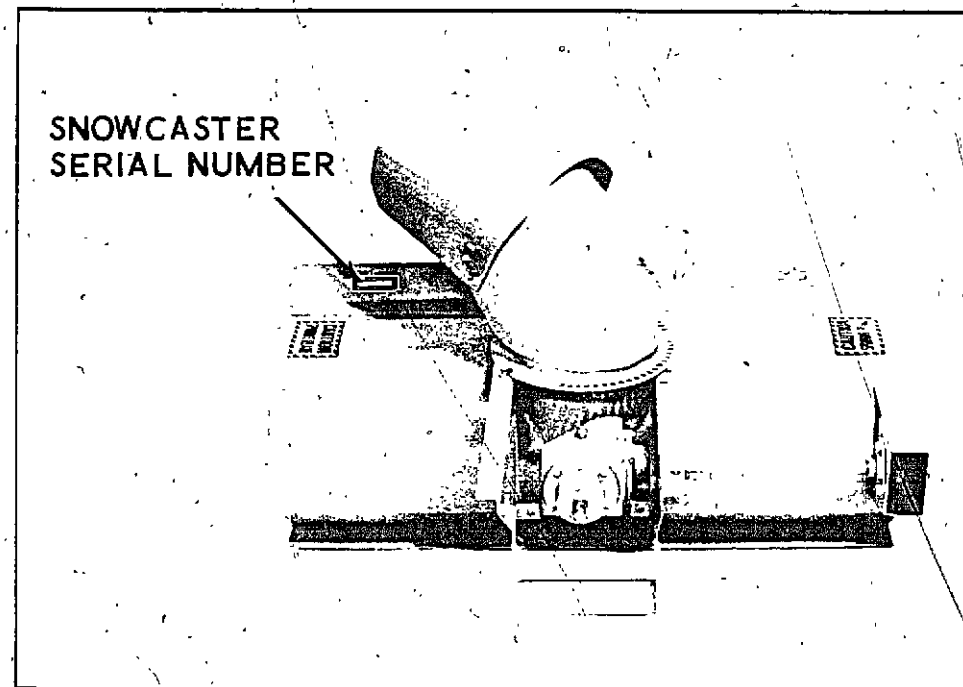
**MODEL F80, F84, E80 AND
E84 SNOWCASTERS
(SEE CHART APPLICATION BELOW)**

U.S. PRICE 75 CENTS

Parts Catalog A1128

Leitch 2500 5-75 PRINTED IN U.S.A.

NOTE: This Parts Catalog replaces the previous Issue No. 1128 which is obsolete and should be discarded.



ALPHABETICAL INDEX

	PAGE	GRID
Auger Assembly	5	A4
Lift Assembly (F80 & F84)	7	A6
Drive Assembly (F80 & F84)	9	A8
Lift Assembly (E80 & E84)	11	A10
Drive Assembly (E80 & E84)	13	A12
Drive Shaft Assembly	15	A14
Gearbox Assembly	15	A14

NOTE: See grid C2 for -
F40, F42, F44 Rotary Mowers
F50, F54 Grader Blades
E60 Dump Cart

NOTE: See grid E2 for -
F46 Rotary Mower

MODEL DESIGNATIONS	TRACTOR APPLICATION					
	220	222	442	444	155	195
F80, 38" SNOWCASTER	X	X	(1)	(1)		
F84, 48" SNOWCASTER	(1)	(1)	X	X		
E80, 38" SNOWCASTER					X	(1)
E84, 48" SNOWCASTER						X

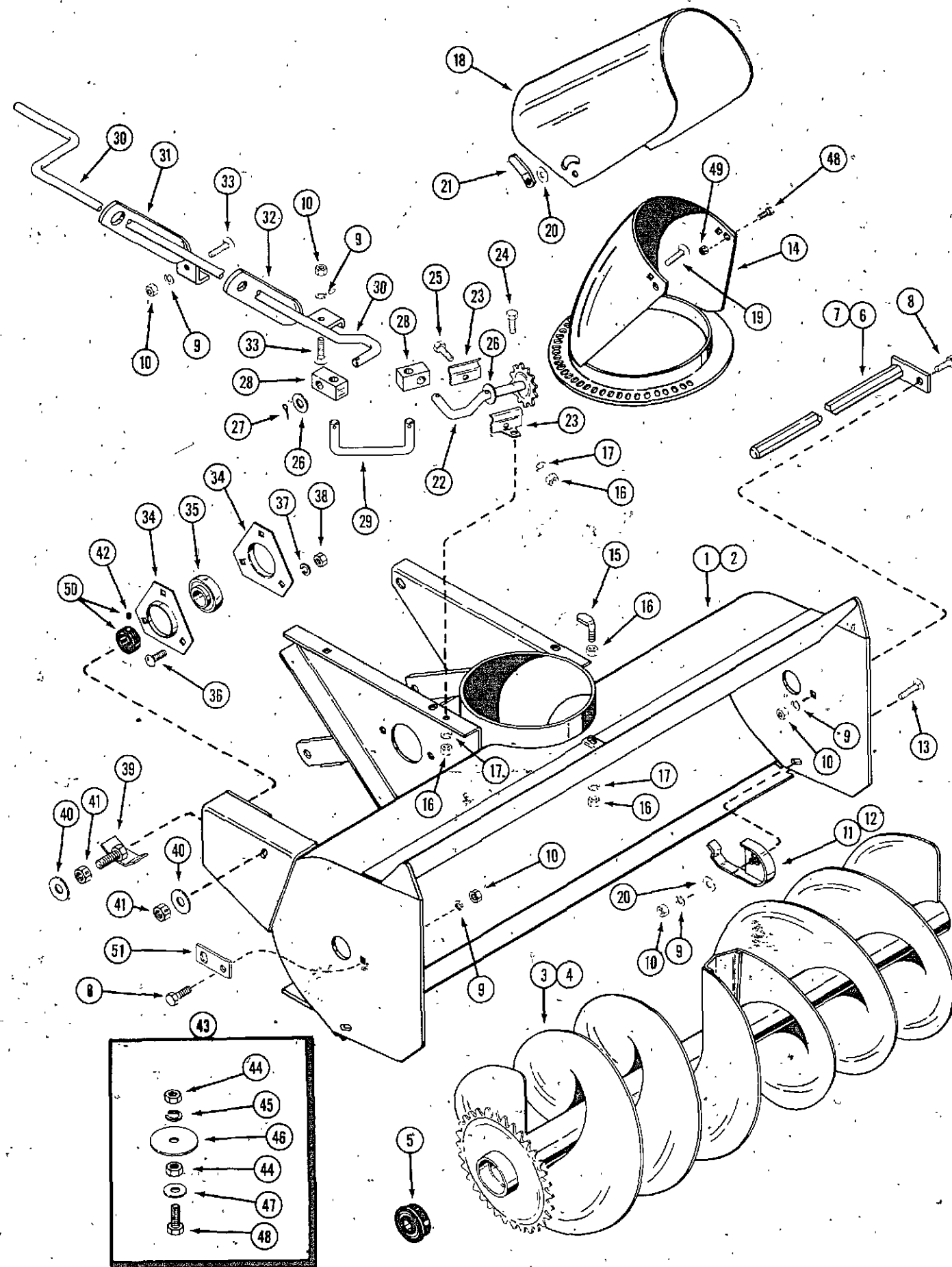
(1) WILL CONVERT, BUT NOT RECOMMENDED

Serial Numbers

When using this catalog, notice the reference to serial numbers of various components noted here and listed in the "description" copy. By referring to correct serial numbers, proper parts identification will be assured.

AUGER ASSEMBLY

F 80 AND F 84 CASTERS FOR 220, 222, 442 AND 444 TRACTORS
 E 80 AND E 84 CASTERS FOR 155 AND 195 COMPACT TRACTORS



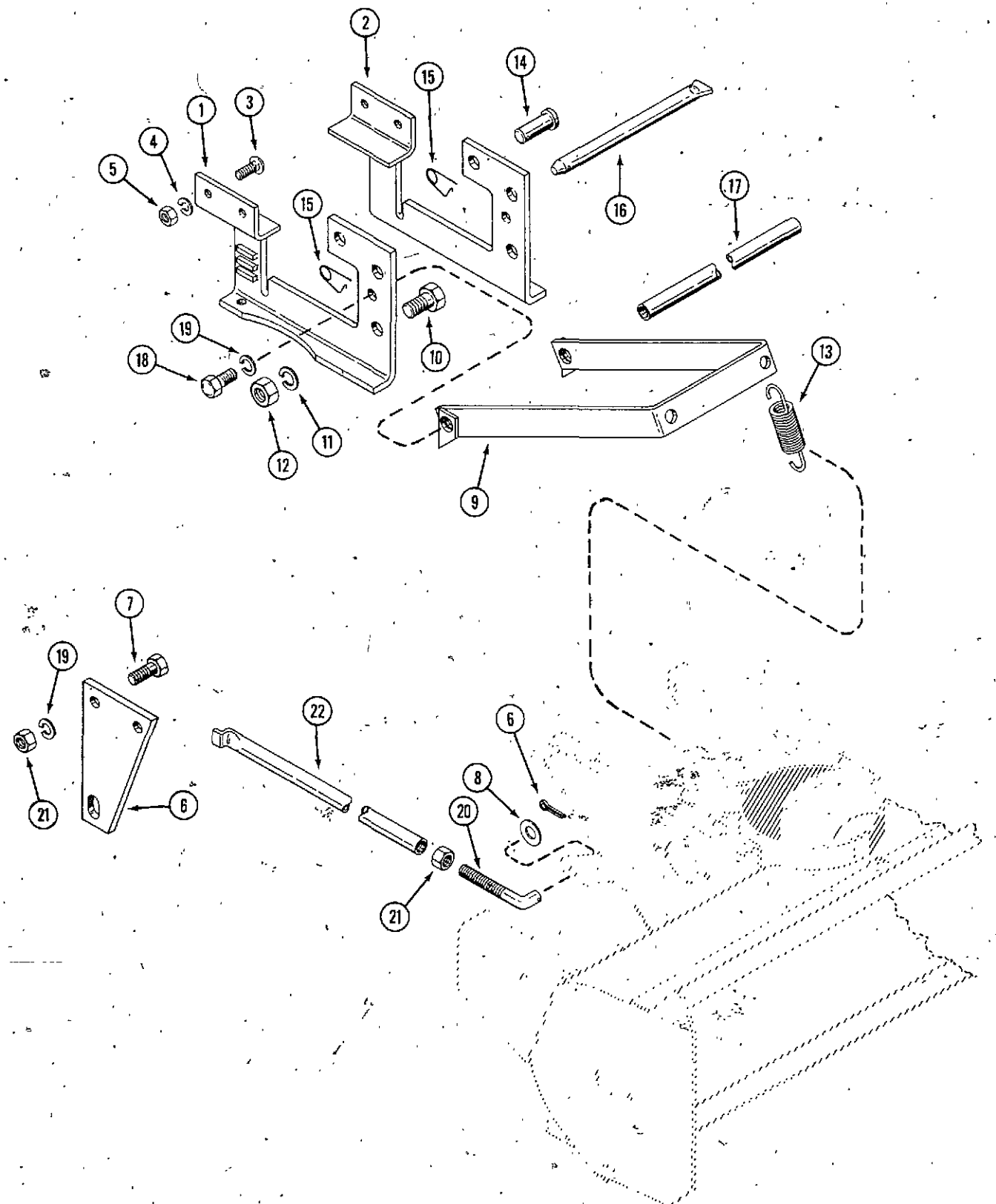
REF.	PART NO.	DESCRIPTION	REQ'D
1	C 14396	HOUSING - auger 38" F80 and E80	1
2	C 14362	HOUSING - auger 48" F84 and E84	1
3	C 14393	AUGER - 38" F80 and E80	1
4	C 14382	AUGER - 48" F84 and E84	1
5	C 14421	BEARING - auger	2
6	C 14572	SHAFT - auger mounting 38" F80 and E80	1
7	C 14573	SHAFT - auger mounting 48" F84 and E84	1
8	113- 206	BOLT - 3/8" x 3/4" NC Hex ZP (2 req'd for F80 and F84)	1
9	192- 21	LOCKWASHER - 3/8" ZP (6 req'd for F80 and F84)	5
10	129- 103	NUT - 3/8" NC Hex ZP (6 req'd for F80 and F84)	5
11	C 14387	SKID - auger housing L.H.	1
12	C 14388	SKID - auger housing R.H.	1
13	111- 302	BOLT - 3/8" x 3/4" Rd. Hd. Sq. Neck ZP	2
14	C 14416	CHUTE (also order items 48 and 49)	1
15	NSS	SCREW - chute holddown (order Kit C 15165)	2
16	129- 101	NUT - 1/4" NC Hex ZP	7
17	192- 19	LOCKWASHER - 1/4" ZP	5
18	C 14597	DEFLECTOR	1
19	111- 340	BOLT - 3/8" x 3/4" NC Rd. Hd. Sq. Neck	2
20	195- 525	WASHER - 3/8" plain ZP	6
21	C 14569	LEVER - deflector locking	2
22	C 14406	SPROCKET - discharge	1
23	C 14582	BRACKET - sprocket support	2
24	113- 2	BOLT - 1/4" x 5/8" NC Hex ZP	2
25	113- 3	BOLT - 1/4" x 3/4" NC Hex ZP	1
26	195- 525	WASHER - 3/8" plain ZP	5
27	132- 320	PIN - cotter 3/32" x 3/4"	5
28	C 14583	JOINT - block	2
29	C 14410	JOINT - link	1
30	C 14584	CRANK - discharge	1
31	C 14574	BRACKET - crank, long	1
32	C 14412	BRACKET - crank, short	1
33	111- 362	BOLT - 3/8" x NC Rd. Hd. Sq. Neck	2
34	C 14420	FLANGETTE - for bearing C21681	2
35	C 21681	BEARING	1
36	111- 202	BOLT - 5/16" x 3/4" NC Rd. Hd. Sq. Neck	3
37	192- 20	LOCKWASHER - 5/16" ZP	3
38	129- 102	NUT - 5/16" NC Hex ZP	3
39	C 14793	BRACKET - chain take up	1
40	195- 104	WASHER - 3/8" plain ZP	2
41	131- 178	NUT - lock 3/8" NC Hex	2
42	178- 819	SETSCREW - #10 x 3/16" NF	1
43	C 15165	KIT - chute hold down (used prior to F80 S/N 50701 and F84 S/N 50926)	1
*44	129- 101	NUT - 1/4" NC Hex ZP	4
*45	192- 19	LOCKWASHER - 1/4" ZP	2
*46	A 26383	WASHER - plain 9/32" x 1-1/2" O.D. ZP	2
*47	195- 518	WASHER - plain 9/32" ZP	2
*48	113- 13	BOLT - 1/4" x 3/4" NC Hex ZP	4
49	131- 1102	NUT - lock 1/4"	2
50	C 21795	COLLAR - locking (includes setscrew)	1
51	C 15414	PLATE - auger end (F80 and F84)	1
	321- 264	DECAL - "Case"	1
	C 12296	DECAL - "Caution"	2

*Used in production on Model F80 S/N 50701 and after.
 Used in production on Model F84 S/N 50926 and after.

MODEL F 80, F 84, E 80 AND E 84 SNOWCASTERS 7
LIFT ASSEMBLY

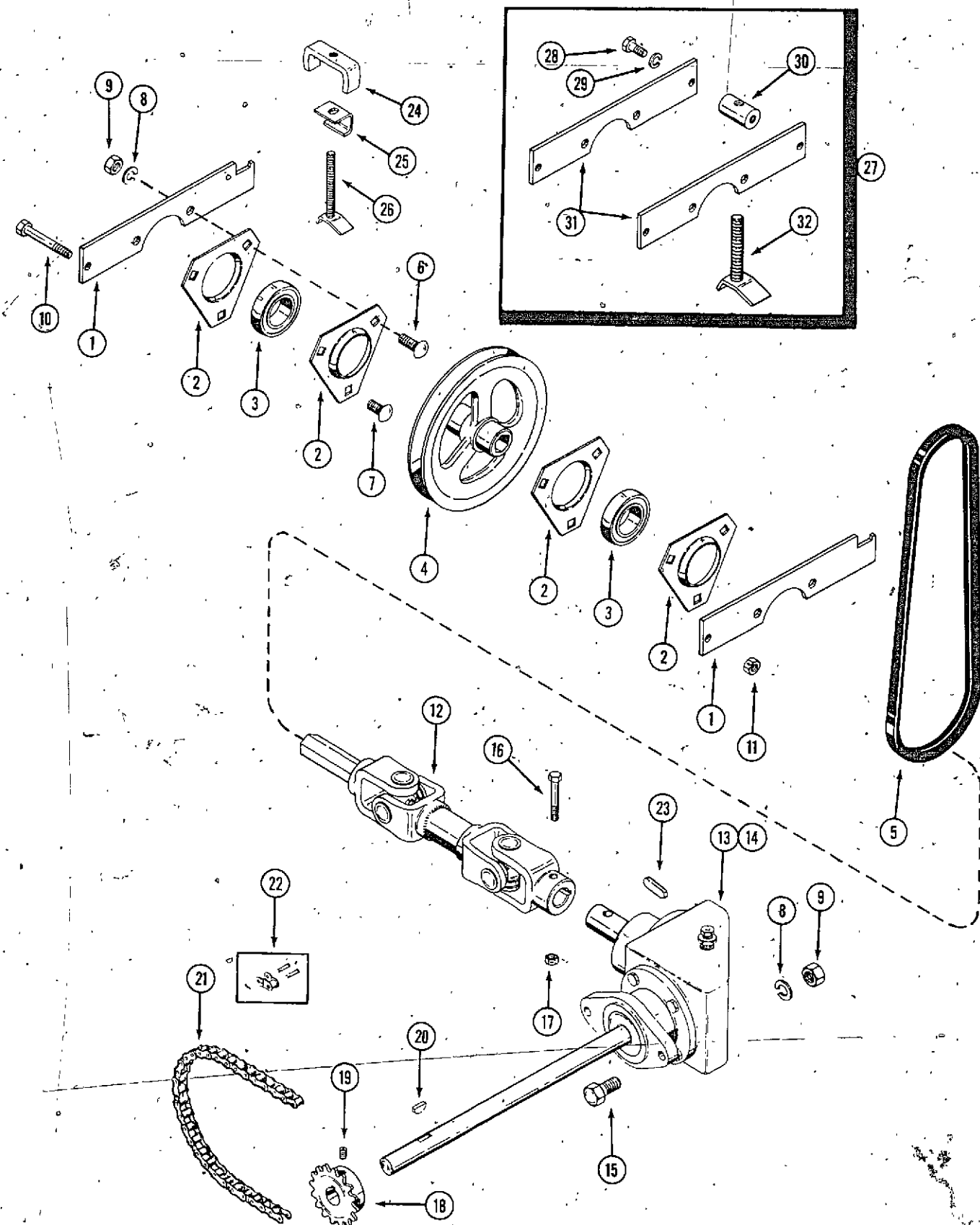
MODEL F 80 38" SNOWCASTER FOR 220 AND 222 TRACTORS
MODEL F 84 48" SNOWCASTER FOR 442 AND 444 TRACTORS

REF. PART NO.	DESCRIPTION	REQ'D
1 C 14646	BRACKET - mounting R.H.	1
2 C 14647	BRACKET - mounting L.H.	1
3 111- 362	BOLT - 3/8" x 1" NC Rd. Hd. Sq. Neck ZP.	4
4 192- 21	LOCKWASHER - 3/8" ZP.	4
5 129- 103	NUT - 3/8" NC Hex ZP.	4
6 132- 34	PIN - cottér	2
7 113- 417	BOLT - 1/2" x 1-1/4" NC Hex ZP.	4
8 195- 530	WASHER - 1/2" plain	2
9 C 14632	BRACKET - spring anchor	1
10 113- 602	BOLT - 5/8" x 1" NC Hex ZP.	2
11 192- 25	LOCKWASHER - 5/8" ZP.	2
12 129- 107	NUT - 5/8" NC Hex ZP.	2
13 C 14482	SPRING - lift	2
14 C 12692	PIN - clevis 5/8"	2
15 C 10898	PIN - safety	3
16 C 14635	PIN - mounting	1
17 C 14363	SPACER - mounting bracket	1
18 113- 424	BOLT - 1/2" x 1" NC Hex ZP.	2
19 192- 23	LOCKWASHER - 1/2" ZP.	6
20 C 14413	"J" BOLT - lift rod	2
21 129- 105	NUT - 1/2" NC Hex ZP.	6
22 C 14414	LIFT ROD	2
23 C 14415	LEVER - lift rod	2



DRIVE ASSEMBLY

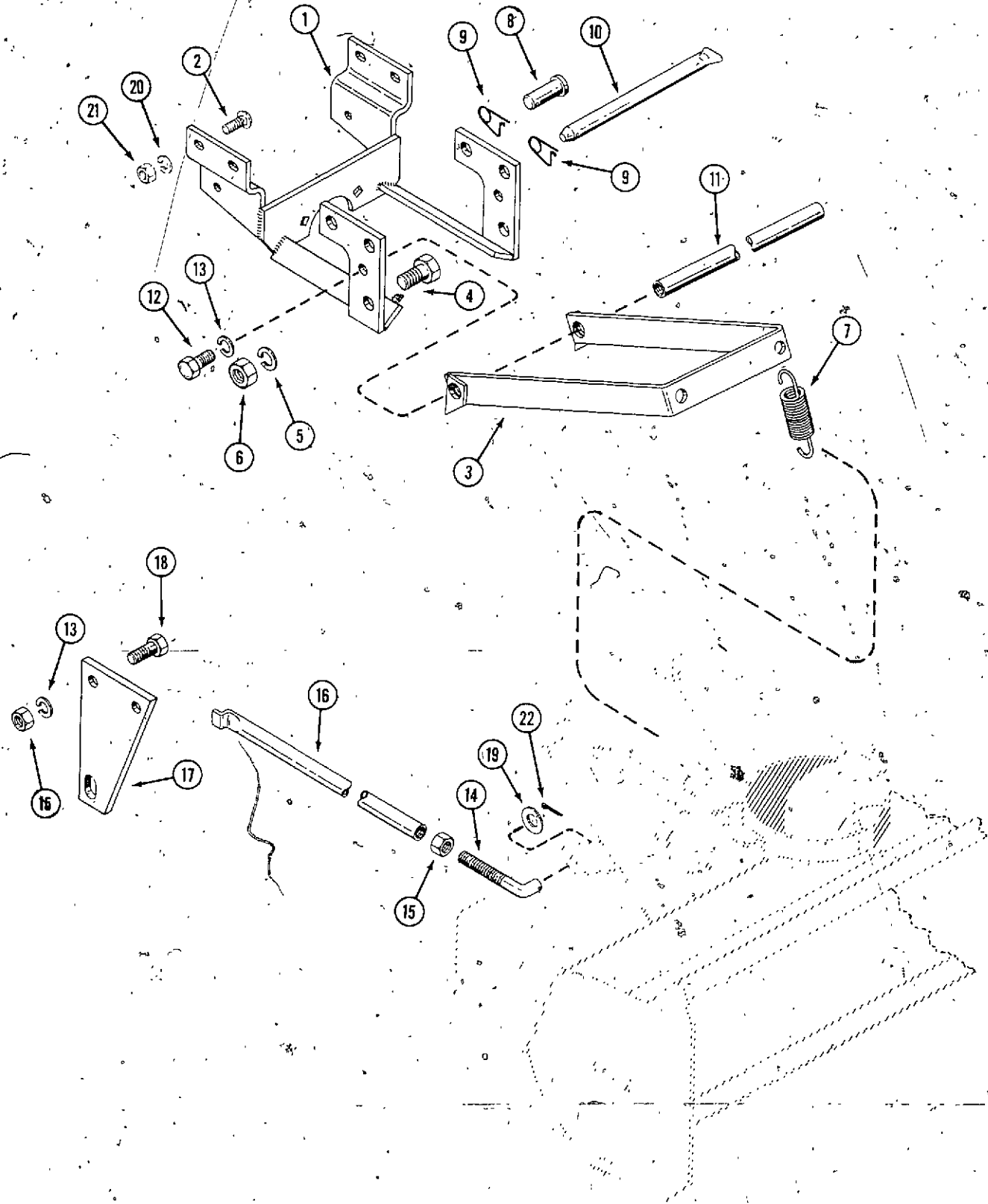
MODEL F 80 38" SNOWCASTER FOR 220 AND 222 TRACTORS
 MODEL F 84 48" SNOWCASTER FOR 442 AND 444 TRACTORS



REF. PART NO.	DESCRIPTION	REQ'D
1	NSS	
2	C 14504	PLATE - bearing mounting (order item 27) 2
3	C 14505	FLANGETTE 4
4	C 14113	BEARING - pulley 2
5	C 14116	PULLEY 1
6	111- 362	BELT - PTO drive 1
7	111- 340	BOLT - 3/8" x 1" NC Rd. Hd. Sq. Neck ZP. 4
8	192- 21	BOLT - 3/8" x 3/4" NC Rd. Hd. Sq. Neck ZP. 2
9	129- 103	LOCKWASHER - 3/8" ZP 8
10	113- 111	NUT - 3/8" NC Hex 9
11	131- 176	BOLT - 5/16" x 2-1/2" NC Hex ZP 1
12	C 14124	NUT - lock 5/16" NC Hex ZP 1
13	C 14424	SHAFT - drive (Repairs page 15) 1
14	C 14423	GEARBOX ASSEMBLY - F80, 38" Snowcaster (Repairs page 15) 1
15	113- 208	GEARBOX ASSEMBLY - F84, 48" Snowcaster (Repairs page 15) 1
16	113- 14	BOLT - 3/8" x 1-1/4" NC Hex ZP 2
17	131- 1102	BOLT - 1/4" x 2" NC Hex ZP 1
18	C 14579	NUT - lock 1/4" NC Hex ZP 1
19	83- 44	SPROCKET - drive 1
20	126- 19	SETSCREW - 1/4" x 1/4" NC cup point 2
21		KEY - #11 Woodruff 1
		CHAIN - auger drive 64 pitches #40 roller chain Use: 1
		1 - B12470 chain 50 links #40
		2 - B12473 chain 6 links each
		1 - B12501 connecting link
		1 - B12503 roller link
B 12470		CHAIN - 50 links #40 roller chain 1
B 12473		CHAIN - 6 links each #40 roller chain 2
B 12501		LINK - connecting #40 roller chain 1
B 12503		LINK - roller #40 roller chain 1
22	B 12502	LINK - offset #40 roller chain 1
23	C 14606	KEY - flat 3/16" x 1" 1
24	NSS	NUT - belt tension (order item 27) 1
25	C 14353	LOCK - belt tension 1
26	NSS	SCREW - Adjust (order item 27) 1
27	C 15558	KIT - belt tightner (for Model F80 S/N 45701 to S/N 54901 and Model F84 S/N 46002 to S/N 46257) 1
27	C 15558	KIT - belt tightner (used in production Model F80 S/N 50701 and after and Model F84 S/N 50926 and after) 1
28	113- 102	BOLT - 5/16" x 3/4" NC Hex ZP. 2
29	192- 20	LOCKWASHER - 5/16" ZP 2
30	C 15264	NUT - belt tension 1
31	C 15261	PLATE - bearing 2
32	C 15262	SCREW - belt tension 1

LIFT ASSEMBLY

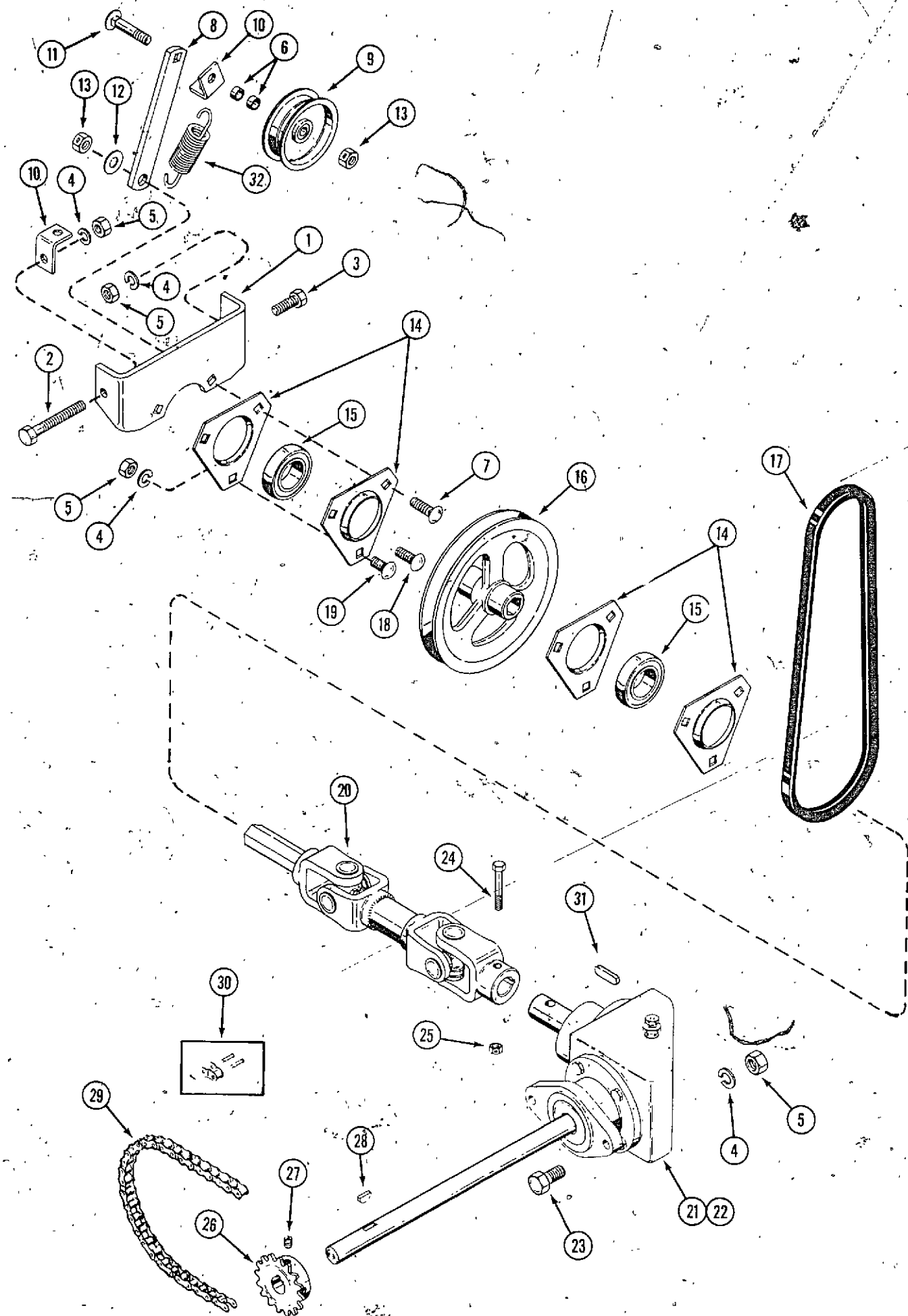
MODEL E 80 38" SNOWCASTER FOR 155 COMPACT TRACTOR
 MODEL E 84 48" SNOWCASTER FOR 195 COMPACT TRACTOR



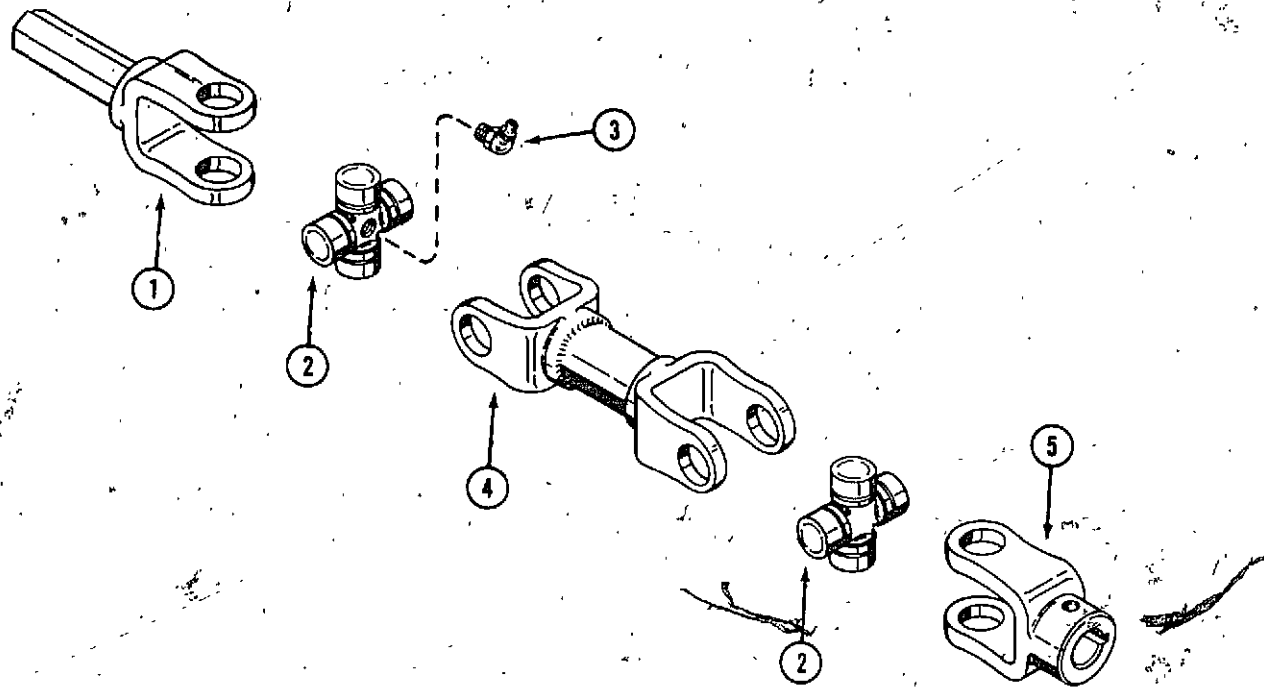
REF. PART NO.	DESCRIPTION	REQ'D
1 C 14767	BRACKET - snowcaster mounting	1
2 111- 362	BOLT - 3/8" x 1" NC Rd. Hd. Sq. Neck	4
3 C 14632	BRACKET - spring anchor	1
4 113- 602	BOLT - 5/8" x 1" NC Hex ZP	2
5 192- 25	LOCKWASHER - 5/8" ZP	2
6 129- 107	NUT - 5/8" NC Hex ZP	2
7 C 14482	SPRING - lift	2
8 C 12692	PIN - clevis 5/8"	2
9 C 10898	PIN - safety	2
10 C 14635	PIN - mounting	1
11 C 14363	SPACER - mounting bracket	1
12 113- 424	BOLT - 1/2" x 1" NC Hex ZP	2
13 192- 23	LOCKWASHER - 1/2" ZP	6
14 C 14413	"J" BOLT - lift rod	2
15 129- 105	NUT - 1/2" NC Hex ZP	6
16 C 14414	LIFT ROD	2
17 C 14415	LEVER - lift rod	2
18 113- 417	BOLT - 1/2" x 1-1/4" NC Hex ZP	4
19 195- 530	WASHER - 1/2" plain	2
20 192- 21	LOCKWASHER - 3/8" ZP	4
21 129- 103	NUT - 3/8" NC Hex ZP	4
22 132- 34	PIN - cotter	2

**MODEL F 80, F 84, E 80 AND E 84 SNOWCASTERS 13
DRIVE ASSEMBLY**

**MODEL E 80 38" SNOWCASTER FOR 155 COMPACT TRACTOR
MODEL E 84 48" SNOWCASTER FOR 195 COMPACT TRACTOR**



REF. PART NO.	DESCRIPTION	REQ'D
1 C 14764	BRACKET - rear bearing support	1
2 C 10967	BOLT - 3/8" x 3" NC Hex	1
3 113- 207	BOLT - 3/8" x 1" NC Hex ZP	1
4 192- 21	LOCKWASHER - 3/8" ZP	9
5 129- 103	NUT - 3/8" NC Hex	9
6 C 14768	SPACER - idler pulley	2
7 111- 366	BOLT - 3/8" x 1-1/4" NC Rd. Hd. Sq. Neck	1
8 C 14766	ARM - idler pulley	1
9 C 14770	PULLEY - idler	1
10 C 14765	ANCHOR - idler spring	7
11 111- 334	BOLT - 3/8" x 2" NC Rd. Hd. Sq. Neck	1
12 195- 524	WASHER - 3/8" plain ZP	1
13 131- 178	NUT - lock-3/8" NC Hex	2
14 C 14504	FLANGETTE	4
15 C 14505	BEARING - pulley	2
16 C 14113	PULLEY	1
17 C 14771	BELT - drive	1
18 111- 362	BOLT - 3/8" x 1" NC Rd. Hd. Sq. Neck	1
19 111- 340	BOLT - 3/8" x 3/4" NC Rd. Hd. Sq. Neck	1
20 C 14124	SHAFT - drive (Repairs page 15)	1
21 C 14424	GEARBOX ASSEMBLY - E80 (Repairs page 15)	1
22 C 14423	GEARBOX ASSEMBLY - E84 (Repairs page 15)	1
23 113- 208	BOLT - 3/8" x 1-1/4" NC Hex ZP	2
24 113- 14	BOLT - 1/4" x 2" NC Hex ZP	1
25 131- 1102	NUT - lock 1/4" NC Hex ZP	1
26 C 14579	SPROCKET - drive	1
27 83- 44	SETSCREW - 1/4" x 1/4" NC cup point	2
28 126- 19	KEY - #11 Woodruff	1
29	CHAIN - auger drive 64 pitches #40 roller chain Use:	1
	1 - B12470 chain 50 links #40	
	2 - B12473 chain 6 links each	
	1 - B12501 connecting link	
	1 - B12503 roller link	
B 12470	CHAIN - 50 links #40 roller chain	1
B 12473	CHAIN - 6 links each #40 roller chain	2
B 12501	LINK - connecting #40 roller chain	1
B 12503	LINK - roller #40 roller chain	1
30 B 12502	LINK - offset #40 roller chain	1
31 C 14606	KEY - flat 3/16" x 1"	1
32 C 14482	SPRING - idler	1



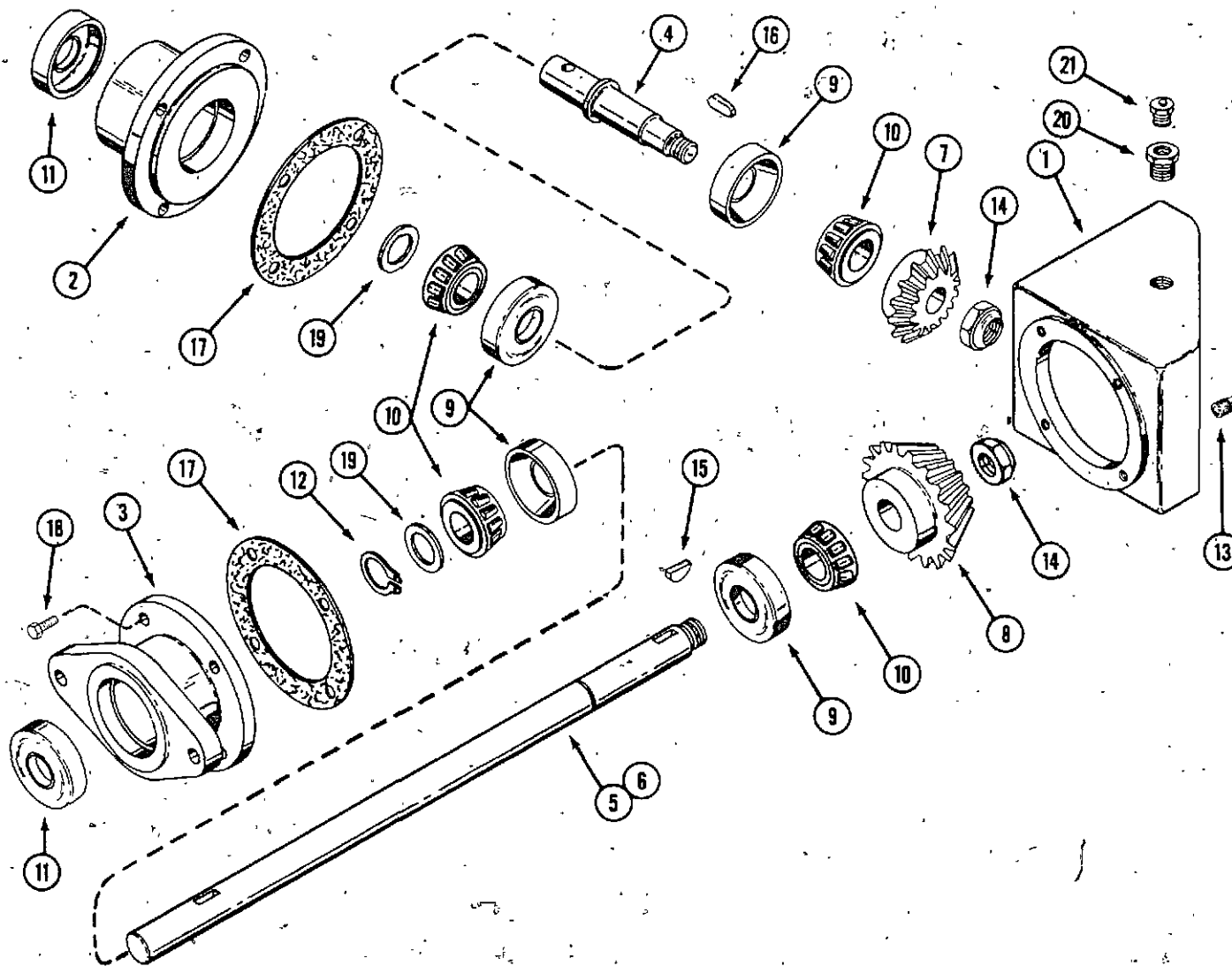
C 14124 DRIVE SHAFT ASSEMBLY

F 80 AND F 84 CASTERS FOR 220, 222, 442 AND 444 TRACTORS
 E 80 AND E 84 CASTERS FOR 155 AND 195 COMPACT TRACTORS

REF. PART NO.	DESCRIPTION	REQ'D
1 C 14988	YOKE - male	1
2 C 12319	KIT - journal assembly	2
3 219- 40	FITTING - lube	2
4 C 14987	YOKE - center assembly	1
5 C 14986	YOKE - female	1

GEAR BOX ASSEMBLY

C 14423	GEARBOX - complete for Models F84 and E84 48"	1
C 14424	GEARBOX - complete for Models F80 and E80 38"	1
1 C 11850	HOUSING - gearbox	1
2 C 11851	HOUSING - input bearing	1
3 C 11852	HOUSING - output bearing	1
4 C 14605	SHAFT - input	1
5 C 14355	SHAFT - output for Models F80 and E80 38"	1
6 C 14354	SHAFT - output for Models F84 and E84 48"	1
7 C 11855	GEAR - input pinion	1
8 C 11856	GEAR - output	1
9 B 12410	CUP - bearing	4
10 B 12411	CONE - bearing	4
11 C 12079	OIL SEAL	2
12 T 25683	RING - retaining	1
13 221- 841	PLUG - housing	1
14 131- 34	NUT - gear retaining	2
15 126- 16	KEY - 3/16" x 3/4" Woodruff	1
16 C 14604	KEY - 3/16" x 3/4" flat	1
17 T 32754	GASKET	2
18 15- 412	BOLT - 1/4" x 3/4" NC Hex	8
19 C 12077	SPACER - bearing	2
20 221- 51	BUSHING - reducer 1/4" NPT to 1/8"	1
21 A 50096	VENT - pressure relief	1



NUMERICAL INDEX

NUMERICAL INDEX

PART NO.	PAGE NO.	REF. NO.	PART NO.	PAGE NO.	REF. NO.	PART NO.	PAGE NO.	REF. NO.	PART NO.	PAGE NO.	REF. NO.	PART NO.	PAGE NO.	REF. NO.
A 26383	9	46	C 14424	9	13	111- 340	13	19	192- 25	7	11			
A 50096	15	21	C 14424	13	21	111- 362	5	33	192- 25	11	5			
B 12410	15	9	C 14424	15		111- 362	7	3	195- 104	5	40			
B 12411	15	10	C 14482	7	13	111- 362	9	6	195- 518	9	47			
B 12470	9		C 14482	11	7	111- 362	11	2	195- 524	13	12			
B 12470	13		C 14482	12	32	111- 362	13	18	195- 525	5	20			
B 12473	9		C 14504	9	2	111- 366	13	7	195- 525	5	26			
B 12473	13		C 14504	13	14	113- 2	5	24	195- 530	7	25			
B 12501	9		C 14505	9	3	113- 3	5	25	195- 530	11	19			
B 12501	13		C 14505	13	15	113- 13	9	48	219- 40	15	3			
B 12502	9	22	C 14569	5	21	113- 14	13	24	221- 51	15	20			
B 12502	13	30	C 14572	5	6	113- 14	9	16	221- 841	15	13			
B 12503	9		C 14573	5	7	113- 102	9	28	321- 264	5				
B 12503	13		C 14574	5	31	113- 111	9	10						
C 10898	7	15	C 14579	9	18	113- 206	5	8						
C 10898	11	9	C 14579	13	26	113- 207	13	3						
C 10967	13	2	C 14582	5	23	113- 208	9	15						
C 11850	15	1	C 14583	5	28	113- 208	13	23						
C 11851	15	2	C 14584	5	30	113- 417	7	24						
C 11852	15	3	C 14596	7	8	113- 417	11	18						
C 11855	15	7	C 14597	5	18	113- 424	7	18						
C 11856	15	8	C 14604	15	16	113- 424	11	12						
C 12077	15	19	C 14605	15	4	113- 602	7	10						
C 12079	15	11	C 14606	9	23	113- 602	11	4						
C 12296	5		C 14606	13	31	126- 16	15	15						
C 12319	15	2	C 14632	7	9	126- 19	9	20						
C 12692	7	14	C 14632	11	3	126- 19	13	28						
C 12692	11	8	C 14635	7	16	129- 101	5	16						
C 14113	9	4	C 14635	11	10	129- 101	5	44						
C 14113	13	16	C 14646	7	1	129- 102	5	38						
C 14116	9	5	C 14647	7	2	129- 103	5	10						
C 14124	9	12	C 14764	13	1	129- 103	7	5						
C 14124	13	20	C 14765	13	10	129- 103	9	9						
C 14348	9	1	C 14766	13	8	129- 103	11	21						
C 14351	7	6	C 14767	11	1	129- 103	13	5						
C 14353	7	7	C 14768	13	6	129- 105	7	21						
C 14354	15	6	C 14770	13	9	129- 105	11	15						
C 14355	15	5	C 14771	13	17	129- 107	7	12						
C 14362	5	2	C 14793	5	39	129- 107	11	6						
C 14363	7	17	C 14986	15	5	131- 34	15	14						
C 14363	11	11	C 14987	15	4	131- 176	9	11						
C 14382	5	4	C 14988	15	1	131- 178	5	41						
C 14387	5	11	C 15165	5	43	131- 178	13	13						
C 14388	5	12	C 15261	9	31	131- 1102	5	49						
C 14393	5	3	C 15262	9	32	131- 1102	9	17						
C 14396	5	1	C 15264	9	30	131- 1102	13	25						
C 14406	9	23	C 15414	4	51	132- 34	7	6						
C 14410	5	29	C 15558	9	27	132- 34	11	22						
C 14412	5	32	C 21681	5	35	132- 320	5	27						
C 14413	7	20	C 21795	5	50	178- 819	5	42						
C 14413	11	14	T 25683	15	12	183- 666	5	15						
C 14414	7	22	T 32754	157	17	192- 19	5	17						
C 14414	11	16				192- 19	5	45						
C 14415	7	23				192- 20	5	37						
C 14415	11	17				192- 20	9	29						
C 14416	5	14				192- 21	5	9						
C 14419	5	35				192- 21	7	4						
C 14420	5	34				192- 21	9	8						
C 14421	5	5				192- 21	11	20						
C 14423	9	14				192- 21	13	4						
C 14423	13	22				192- 23	7	19						
C 14423	15					192- 23	11	13						

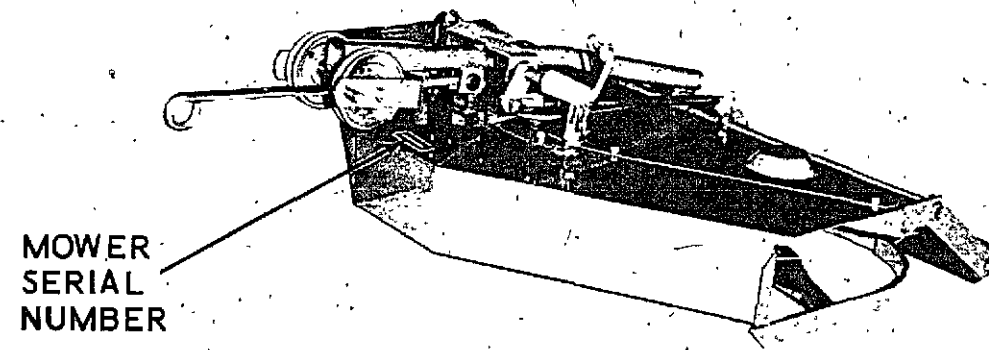
HARDWARE CODE NUMBERS

**MODELS F40, F42 AND F44 MOWERS
MODELS F50 AND F54 GRADER BLADE
MODEL E60 DUMP CART**

U.S. PRICE 75 CENTS

Parts Catalog A1131

Hi-Liter 1500 1-75



NOTE

The grader blade serial number is located on the back of the mould board.
There is no serial number located on the dump cart.

MODEL DESIGNATIONS	TRACTOR APPLICATION			
	220	222	442	444
F40 ROTARY MOWER	X	X		
F42 ROTARY MOWER	X	X		
F44 ROTARY MOWER			X	X
F50 GRADER BLADE	X	X		
F54 GRADER BLADE			X	X
E60 DUMP CART	X	X	X	X

ALPHABETICAL INDEX

MOWER SECTION

	PAGE	GRID
Belts, Drive	11-15	C10-C14
Driven	11-15	C10-C14
Blades	5-9	C4-C8
Deck	11-15	C10-C14
Guards	11-15	C10-C14
Housing, Spindle	5-9	C4-C8
Pulleys, Deck	11-15	C10-C14
Pulleys, Drive Assembly	17	D2
Rod, Lift Lever	11-15	C10-C14
Spindles	5-9	C4-C8

GRADER SECTION

	PAGE	GRID
Blade	19	D4
Carriage	19	D4
Edge, Cutting	19	D4
Skids	19	D4

DUMP CART SECTION

	PAGE	GRID
Dump Cart	21	D6

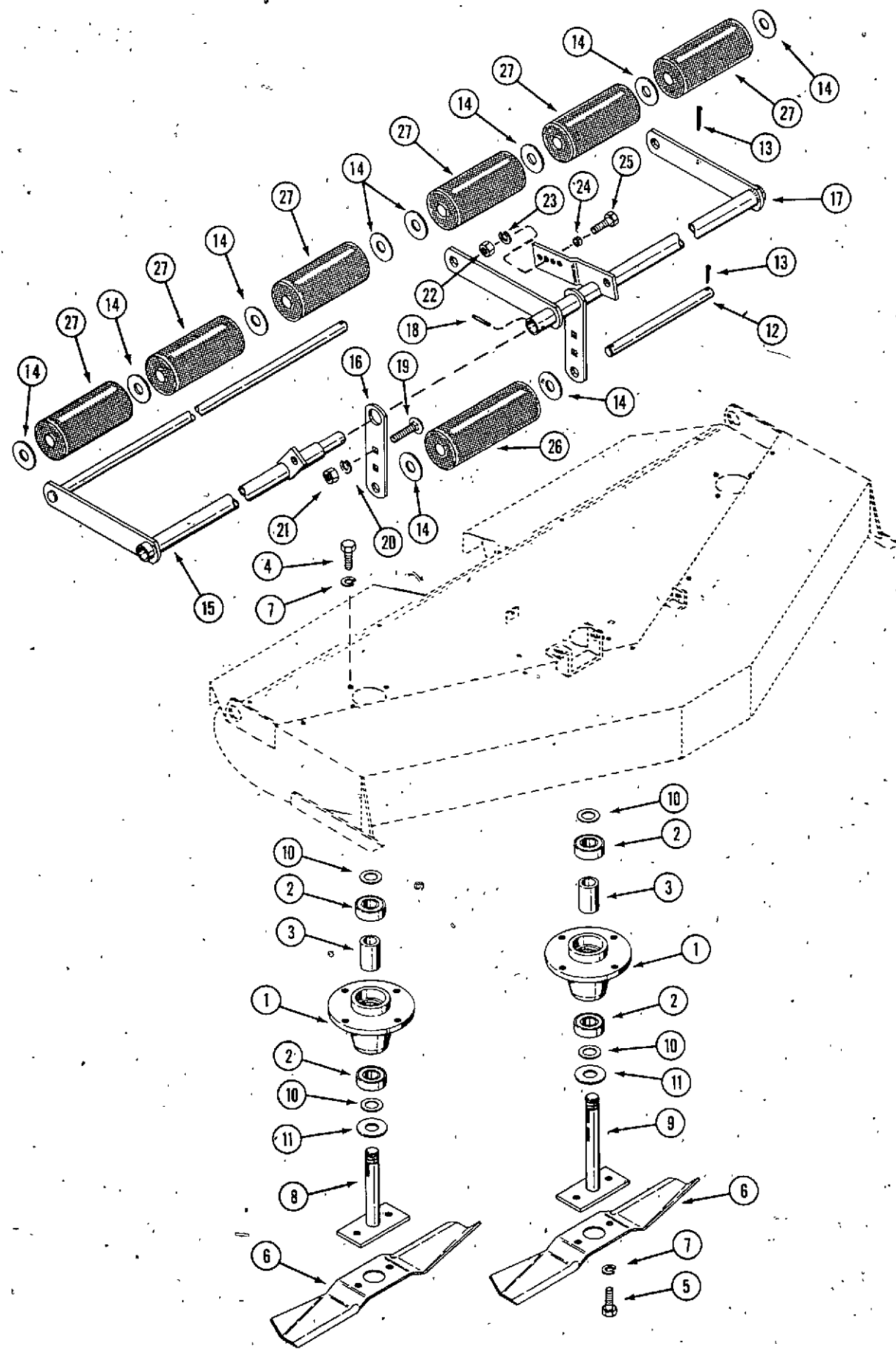
NOTE: See grid A2 for -
E80, E84, F80 and F84 Snow Casters

NOTE: See grid E2 for -
F46 Rotary Mower

Serial Numbers

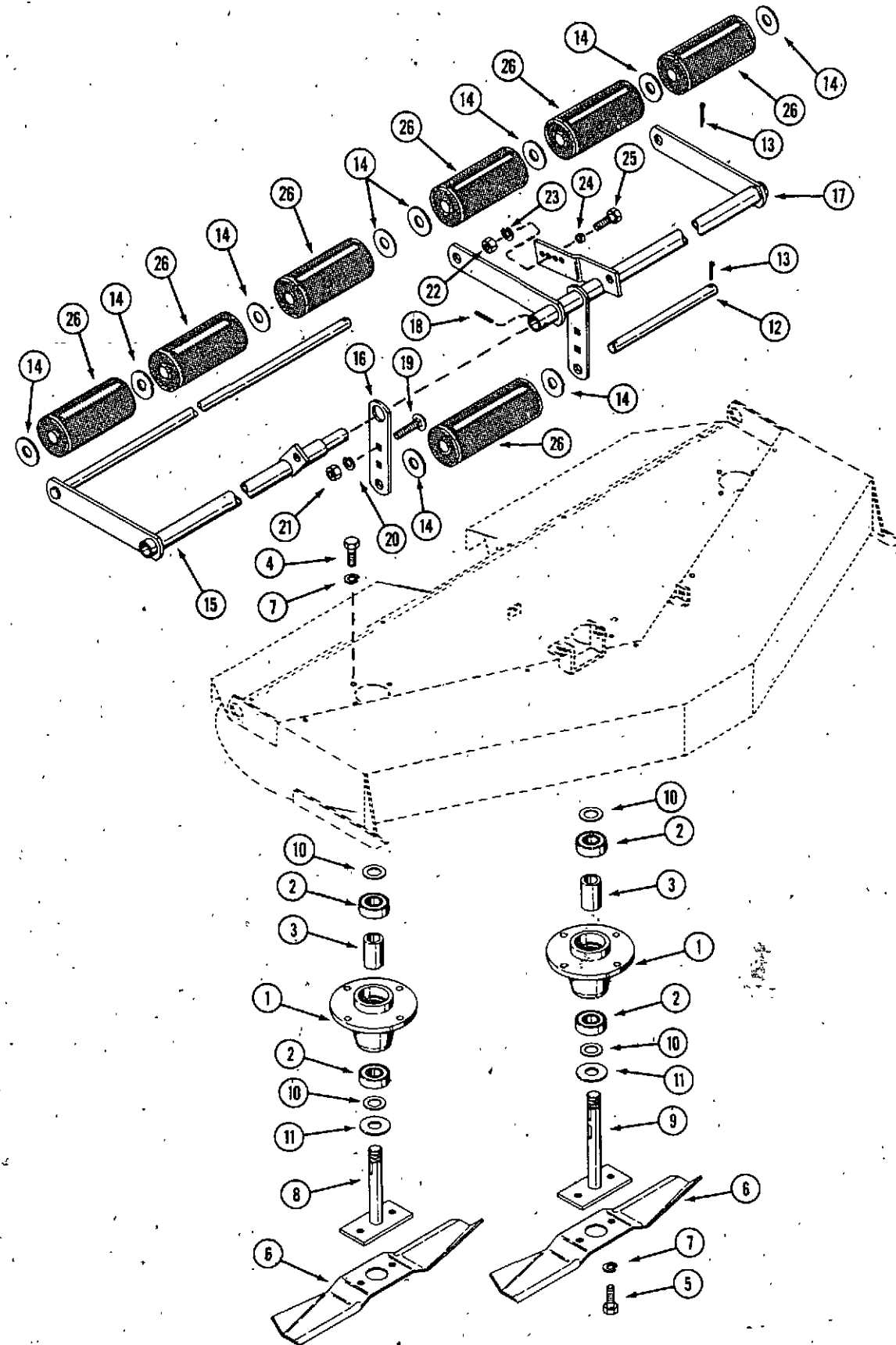
When using this catalog, notice the reference to serial numbers of various components noted here and listed in the "description" copy. By referring to correct serial numbers, proper parts identification will be assured.

**CASE ROTARY MOWER, GRADER BLADE AND DUMP CART
MODEL F 40, 38" ROTARY MOWER
220 AND 222 COMPACT TRACTORS**



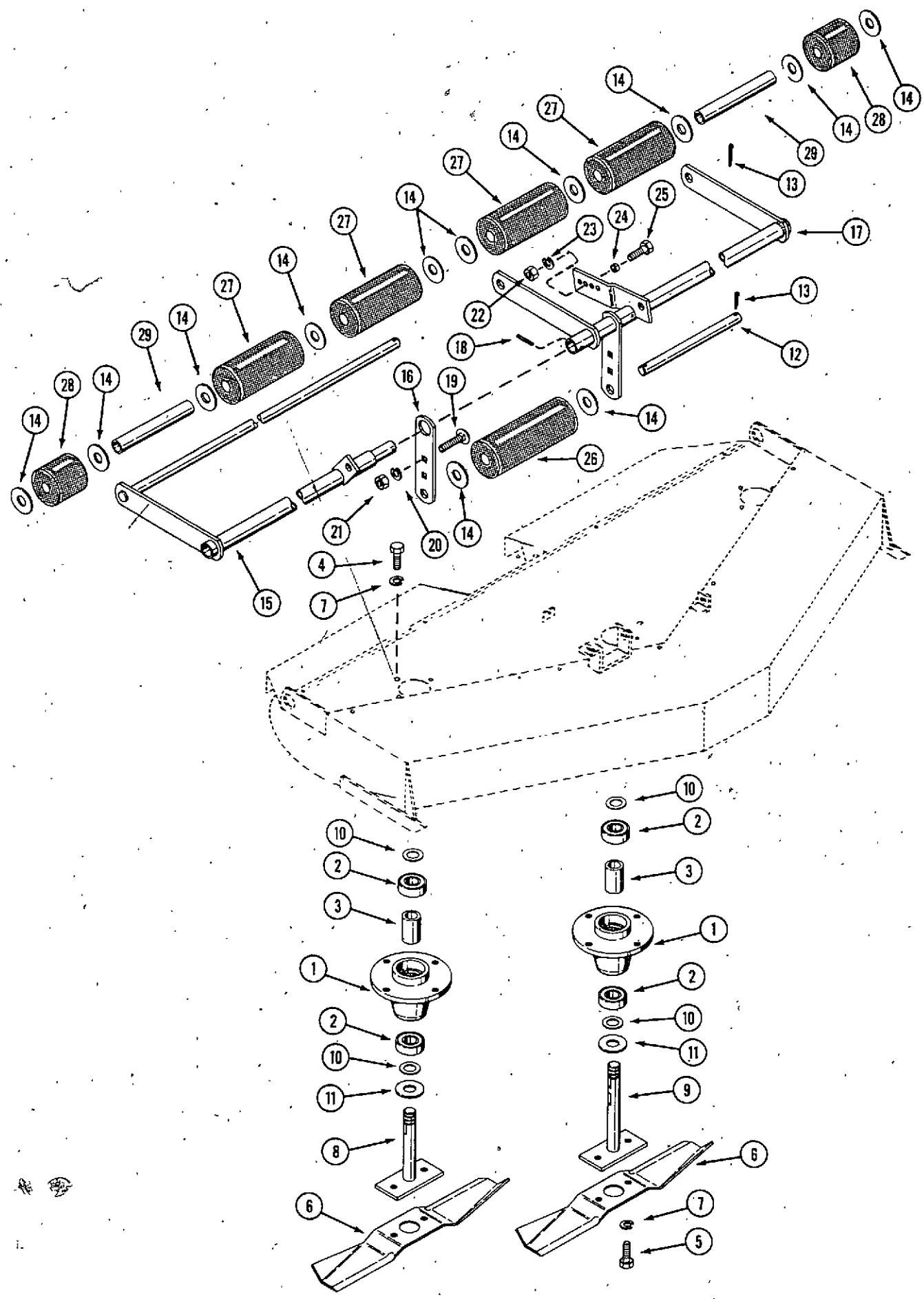
REF.	PART NO.	DESCRIPTION	REQ'D.
1	C 10807	HOUSING - mower spindle	3
2	C 10899	BEARING - spindle	6
3	C 10810	SPACER - bearing	3
4	15- 612	BOLT - 3/8" x 3/4" NC Hex	12
5	115- 206	BOLT - 3/8" x 5/8" NC Hex	6
6	C 12261	BLADE - mower 14"	3
7	92- 6	LOCKWASHER - 3/8"	18
8	C 10808	SPINDLE - outboard	2
9	C 12177	SPINDLE - center	1
10	C 10822	WASHER - mower spindle	6
11	C 10942	WASHER - bearing seal	3
12	C 13165	SHAFT - center roller	1
13	132- 310	PIN - cotter 1/8" x 1" Zinc Plated	3
14	195- 108	WASHER - plain 11/16" ID x 1-3/4" OD	10
15	C 14430	AXLE - roller R. H.	1
16	C 14359	PLATE - roller mounting	1
17	C 14429	AXLE - roller L. H.	1
18	138- 2033	PIN - roll 1/4" x 1-3/8"	1
19	111- 362	BOLT - Rd. Hd. short square neck 3/8" x 1" Zinc Plated	4
20	192- 21	LOCKWASHER - 3/8" Zinc Plated	4
21	129- 103	NUT - FHNC 3/8" Zinc Plated	4
22	129- 102	NUT - 5/16" NC Hex Zinc Plated	1
23	192- 20	LOCKWASHER - 5/16" Zinc Plated	1
24	C 14768	SPACER - stop bolt	1
25	113- 103	BOLT - 5/16" x 1" NC Hex Zinc Plated	1
26	A 70524	ROLLER - 2-1/2" diameter x 6.81 rubber	1
27	C 12518	ROLLER - 2-1/2" diameter x 5.81 rubber	6

CASE ROTARY MOWER, GRADER BLADE AND DUMP CART
MODEL F 42, 44" ROTARY MOWER
220 AND 222 COMPACT TRACTORS



REF. PART NO.	DESCRIPTION	REQ'D.
1 C 10807	HOUSING - mower spindle	3
2 C 10899	BEARING - spindle	6
3 C 10810	SPACER - bearing	3
4 15- 612	BOLT - 3/8" x 3/4" HC Hex	12
5 115- 206	BOLT - 3/8" x 5/8" NC Hex Zinc Plated	6
6 C 12262	BLADE - mower 15-1/2"	3
7 92- 6	LOCKWASHER - 3/8"	18
8 C 10808	SPINDLE - outboard	2
9 C 12177	SPINDLE - center	1
10 C 10822	WASHER - mower spindle	6
11 C 10942	WASHER - bearing seal	3
12 C 13165	SHAFT - center roller	1
13 132- 310	PIN - cotter 1/8" x 1" Zinc Plated	3
14 195- 108	WASHER - plain 11/16" ID x 1-3/4" OD	10
15 C 14375	AXLE - roller R. H.	1
16 C 14359	PLATE - roller mounting	1
17 C 14361	AXLE - roller L. H.	1
18 138- 2033	PIN - roll 1/4" x 1-3/8"	1
19 111- 362	BOLT - Rd. Hd. short square neck 3/8" x 1" Zinc Plated	4
20 192- 21	LOCKWASHER - 3/8" Zinc Plated	4
21 129- 103	NUT - 3/8" NC Hex Zinc Plated	4
22 129- 102	NUT - 5/16" NC hex Zinc Plated	1
23 192- 20	LOCKWASHER - 5/16" Zinc Plated	1
24 C 14768	SPACER - stop bolt	1
25 113- 103	BOLT - 5/16" x 1" NC Hex Zinc Plated	1
26 A 70524	ROLLER - 2-1/2" diameter x.6.81 rubber	7

CASE ROTARY MOWER, GRADER BLADE AND DUMP CART
MODEL F 44, 44" ROTARY MOWER
442 AND 444 COMPACT TRACTORS

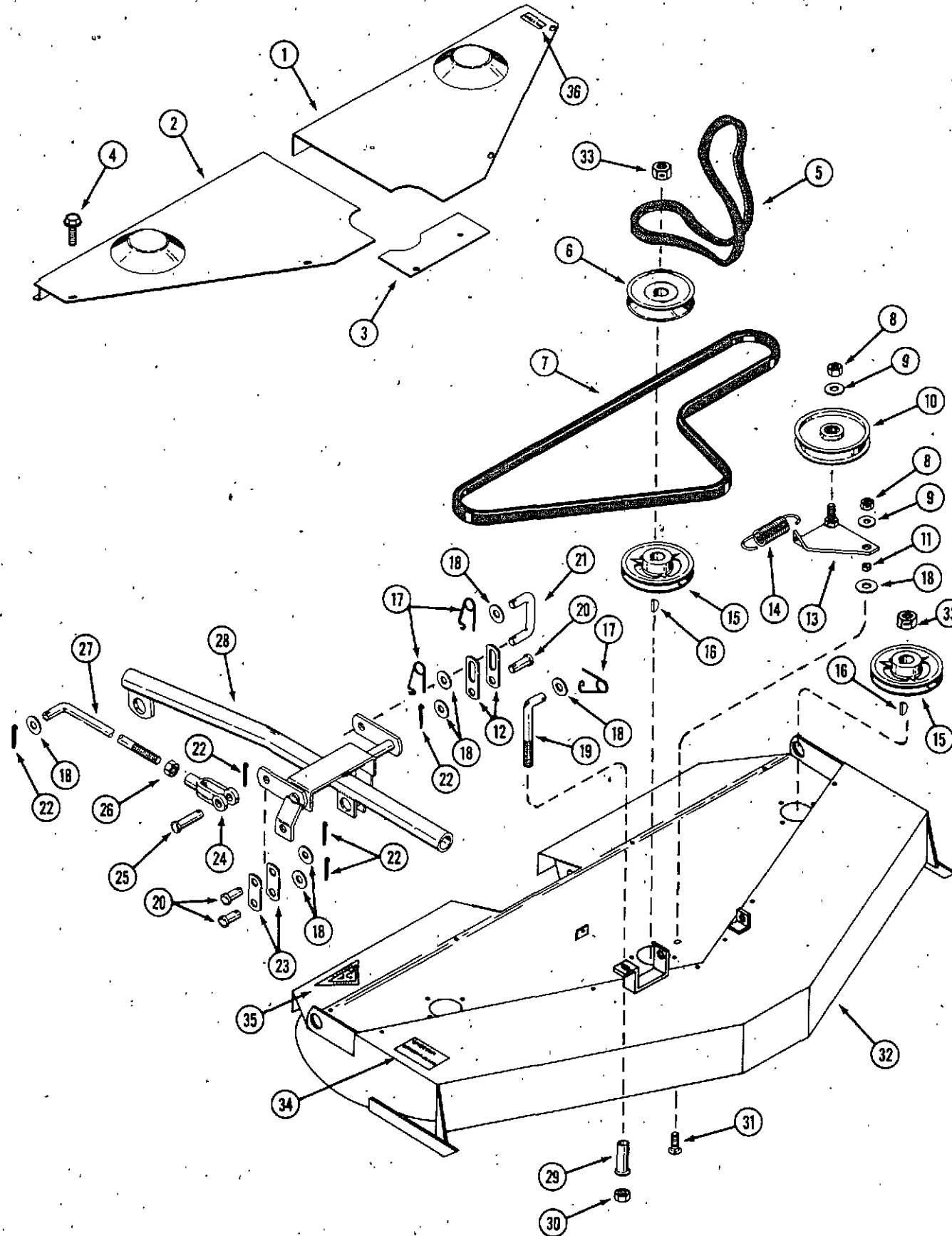


REF. PART NO.	DESCRIPTION	REQ'D
1 C 10807	HOUSING - mower spindle	3
2 C 10899	BEARING - spindle	6
3 C 10810	SPACER - bearing	3
4 15- 612	BOLT - 3/8" x 3/4" NC Hex	12
5 115- 206	BOLT - 3/8" x 5/8" NC Hex Zinc Plated	6
6 C 12262	BLADE - mower 15-1/2"	3
7 92- 6	LOCKWASHER - 3/8"	18
8 C 10808	SPINDLE - outboard	2
9 C 12177	SPINDLE - center	1
10 C 10822	WASHER - mower spindle	6
11 C 10942	WASHER - bearing seal	3
12 C 13165	SHAFT - center roller	1
13 132- 310	PIN - cotter 1/8" x 1" Zinc Plated	3
14 195- 108	WASHER - plain 11/16" ID x 1-3/4" OD	12
15 C 14375	AXLE - roller R. H.	1
16 C 14359	PLATE - roller mounting	1
17 C 14361	AXLE - roller L. H.	1
18 138- 2033	PIN - roll 1/4" x 1-3/8"	1
19 111- 362	BOLT - Rd. Hd. short square neck 3/8" x 1" Zinc Plated	4
20 192- 21	LOCKWASHER - 3/8" Zinc Plated	4
21 129- 103	NUT - 3/8" NC Hex Zinc Plated	4
22 129- 102	NUT - 5/16" NC hex Zinc Plated	1
23 192- 20	LOCKWASHER - 5/16" Zinc Plated	1
24 C 14768	SPACER - stop bolt	1
25 113- 103	BOLT - 5/16" x 1" NC Hex Zinc Plated	1
26 A 70524	ROLLER - 2-1/2" diameter x 6.81 rubber	1
27 C 12518	ROLLER - 2-1/2" diameter x 5.81 rubber	4
28 A 70514	ROLLER - 2-1/2" diameter x 2-3/8" rubber	2
29 C 14608	SPACER - rear roller	2

CASE ROTARY MOWER, GRADER BLADE AND DUMP CART

MODEL F 40, 38" ROTARY MOWER

220 AND 222 COMPACT TRACTORS

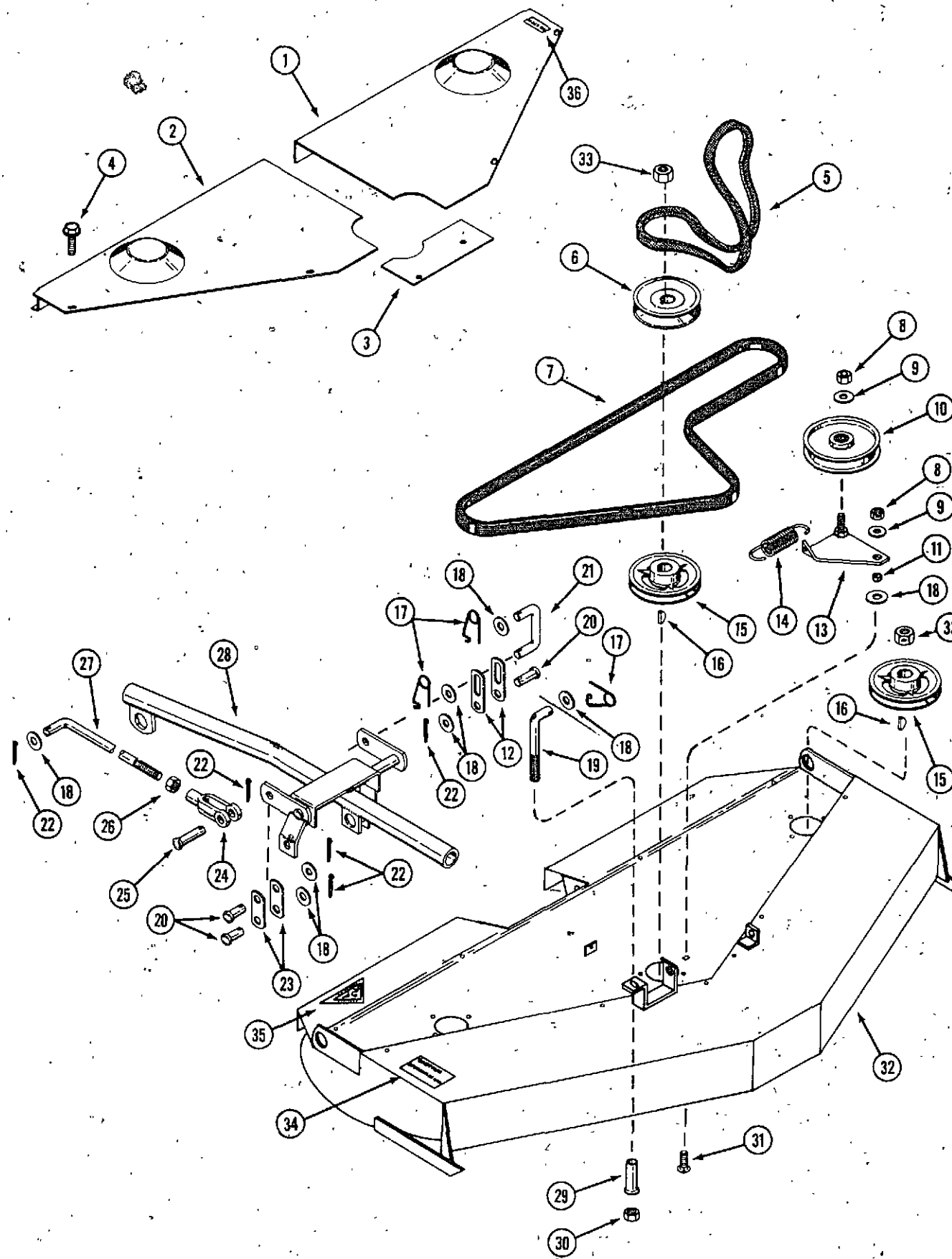


REF. PART NO.	DESCRIPTION	REQ'D.
1 C 14276	GUARD - deck belt, L.H.	1
2 C 14275	GUARD - deck belt, R.H.	1
3 C 14603	COVER - deck belt, front	1
4 187- 1036	SCREW - 1/4" x 1/2" self-tapping hex	10
5 C 14893	BELT - mower drive	1
6 C 12252	PULLEY - mower deck drive	1
7 C 12627	BELT - mower deck driven	1
8 131- 178	NUT - lock 3/8" NC hex ZP	2
9 195- 522	WASHER - plain 3/8" ZP	2
10 C 12251	PULLEY - deck idler	1
11 C 14768	SPACER - idler bracket	1
12 C 12267	LINK - bottom lift L.H.	2
13 C 14731	BRACKET - deck idler	1
14 C 14482	SPRING - deck idler	1
15 C 12253	PULLEY - mower deck	3
16 126- 19	KEY - Woodruff #11	4
17 C 10898	PIN - safety	3
18 195- 530	WASHER - plain 1/2" ZP	8
19 C 14630	ROD - lift adjust	1
20 C 14265	PIN - clevis 1/2"	3
21 C 14631	ROD - lift	1
22 132- 310	PIN - cotter 1/8" x 1" ZP	7
23 C 14602	LINK - center lift	2
24 C 10952	CLEVIS - 1/2"	2
25 141- 56	PIN - clevis 1/2" ZP	2
26 129- 105	NUT - 1/2" NC hex ZP	2
27 C 11985	ROD - pull	2
28 C 14235	FRAME - mower lift	1
29 C 12571	SLEEVE - lift rod	1
30 131- 165	NUT - lock 1/2" NC hex ZP	1
31 111- 317	BOLT - 3/8" x 1" Rd. Hd. Sq. Neck ZP	1
32 C 14239	DECK - rotary mower 38"	1
33 131- 172	NUT - lock 3/4" NF hex ZP	3
34 A 70404	DECAL - "CAUTION SPINNING BLADE"	2
35 C 12664	DECAL - "ASA" Safety	2
36 C 12519	DECAL - "NO STEP"	2

CASE ROTARY MOWER, GRADER BLADE AND DUMP CART

MODEL F 42, 44" ROTARY MOWER

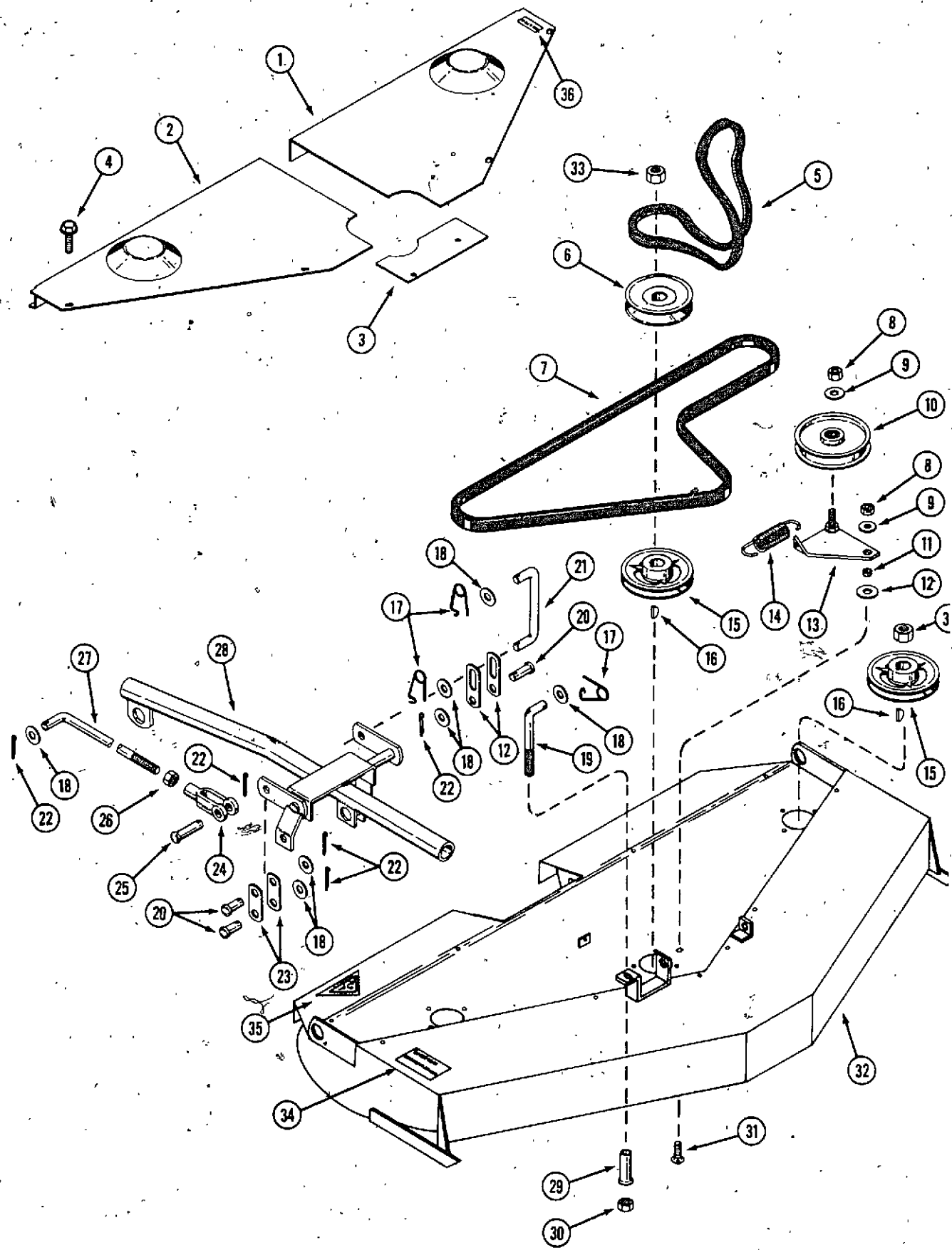
220 AND 222 COMPACT TRACTORS



REF. PART NO.	DESCRIPTION	REQ'D.
1 C 14272	GUARD - deck belt, L.H.	1
2 C 14273	GUARD - deck belt, R.H.	1
3 C 14603	COVER - deck belt, front	1
4 187- 1036	SCREW - 1/4" x 1/2" self-tapping hex	10
5 C 14893	BELT - mower drive	1
6 C 12252	PULLEY - mower deck drive	1
7 C 10919	BELT - mower deck driven	1
8 131- 178	NUT - lock 3/8" NC hex ZP	2
9 195- 522	WASHER - plain 3/8" ZP	2
10 C 12251	PULLEY - deck idler	1
11 C 14768	SPACER - idler bracket	1
12 C 12267	LINK - bottom lift L.H.	2
13 C 14731	BRACKET - deck idler	1
14 C 14482	SPRING - deck idler	1
15 C 12253	PULLEY - mower deck	3
16 126- 19	KEY - Woodruff #11	4
17 C 10898	PIN - safety	3
18 195- 530	WASHER - plain 1/2"-ZP	8
19 C 14630	ROD - lift adjust	1
20 C 14265	PIN - clevis 1/2"	3
21 C 14631	ROD - lift	1
22 132- 310	PIN - cotter 1/8" x 1" ZP	7
23 C 14602	LINK - center lift	2
24 C 10952	CLEVIS - 1/2"	2
25 141- 56	PIN - clevis 1/2" ZP	2
26 129- 105	NUT - 1/2" NC hex ZP	2
27 C 11985	ROD - pull	2
28 C 14235	FRAME - mower lift	1
29 C 12571	SLEEVE - lift rod	1
30 131- 165	NUT - lock 1/2" NC hex ZP	1
31 111- 317	BOLT - 3/8" x 1" Rd. Hd. Square Neck ZP	1
32 C 14238	DECK - rotary mower 38"	1
33 131- 172	NUT - lock 3/4" NF hex ZP	3
34 A 70404	DECAL - "CAUTION SPINNING BLADE"	2
35 C 12664	DECAL - "ASA" Safety	2
36 C 12519	DECAL - "NO STEP"	2

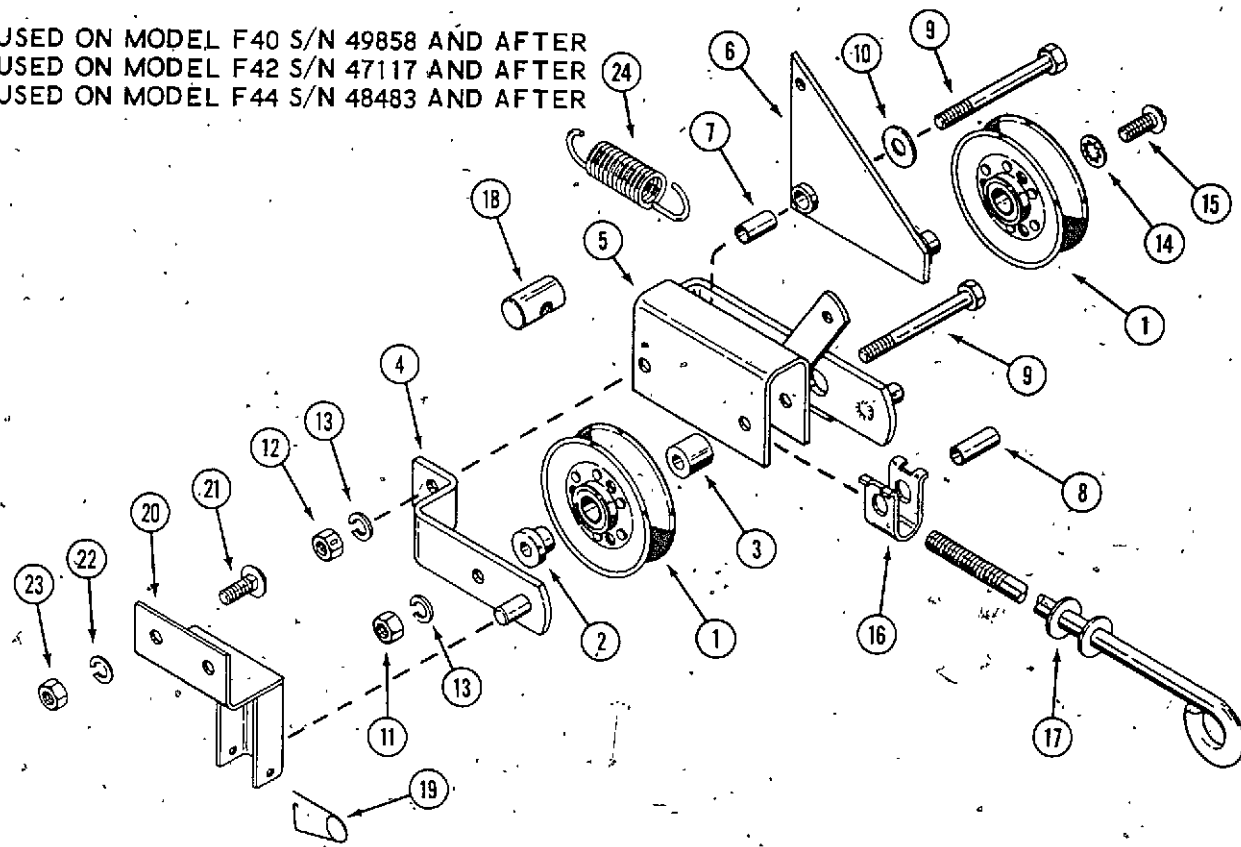
CASE ROTARY MOWER, GRADER BLADE AND DUMP CART

MODEL F 44, 44" ROTARY MOWER
442 AND 444 COMPACT TRACTORS

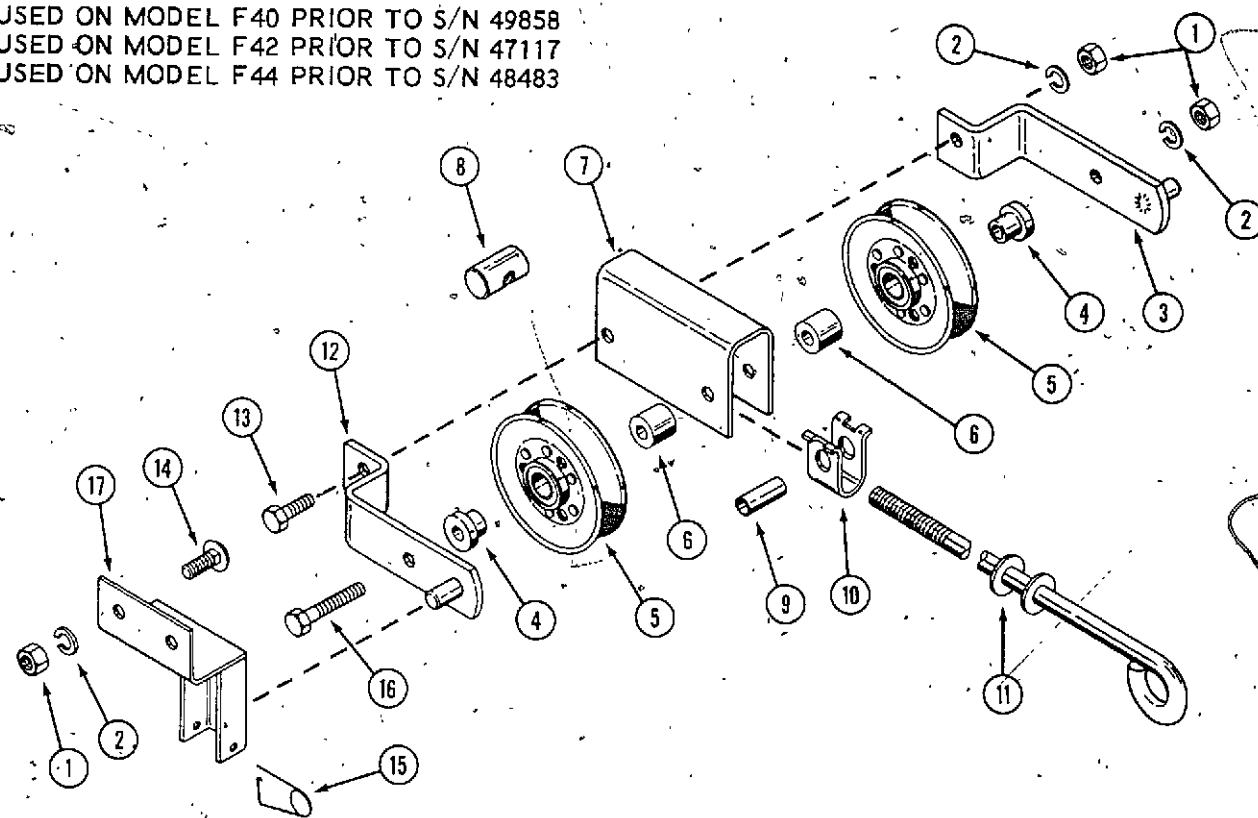


REF. PART NO.	DESCRIPTION	REQ'D.
1 C 14272	GUARD - deck belt, L.H.	1
2 C 14273	GUARD - deck belt, R.H.	1
3 C 14603	COVER - deck belt, front	1
4 187- 1036	SCREW - 1/4" x 1/2" self-tapping hex	10
5 C 14894	BELT - mower drive	1
6 C 12252	PULLEY - mower deck drive	1
7 C 10919	BELT - mower deck driven	1
8 131- 178	NUT - lock 3/8" NC hex ZP	2
9 195- 522	WASHER - plain 3/8" ZP	2
10 C 12251	PULLEY - deck idler	1
11 C 14768	SPACER - idler bracket	1
12 C 12267	LINK - bottom lift L.H.	2
13 C 14731	BRACKET - deck idler	1
14 C 14482	SPRING - deck idler	1
15 C 12253	PULLEY - mower deck	3
16 126- 19	KEY - Woodruff #11	4
17 C 10898	PIN - safety	3
18 195- 530	WASHER - plain 1/2" ZP	8
19 C 12328	ROD - lift adjust	1
20 C 14265	PIN - clevis 1/2"	3
21 C 12330	ROD - lift	1
22 132- 310	PIN - cotter 1/8" x 1" ZP	7
23 C 14602	LINK - center lift	2
24 C 10952	CLEVIS - 1/2"	2
25 141- 56	PIN - clevis 1/2" ZP	2
26 129- 105	NUT - 1/2" NC hex ZP	2
27 C 11985	ROD - pull	2
28 C 14235	FRAME - mower lift	1
29 C 12571	SLEEVE - lift rod	1
30 131- 165	NUT - lock 1/2" NC hex ZP	1
31 111- 317	BOLT - 3/8" x 1" Rd. Hd. Square Neck ZP	1
32 C 14238	DECK - rotary mower 38"	1
33 131- 172	NUT - lock 3/4" NF hex ZP	3
34 A 70404	DECAL - "CAUTION SPINNING BLADE"	2
35 C 12664	DECAL - "ASA" Safety	2
36 C 12519	DECAL - "NO STEP"	2

USED ON MODEL F40 S/N 49858 AND AFTER
 USED ON MODEL F42 S/N 47117 AND AFTER
 USED ON MODEL F44 S/N 48483 AND AFTER



USED ON MODEL F40 PRIOR TO S/N 49858
 USED ON MODEL F42 PRIOR TO S/N 47117
 USED ON MODEL F44 PRIOR TO S/N 48483



CASE ROTARY MOWER, GRADER BLADE AND DUMP CART

DRIVE ASSEMBLY

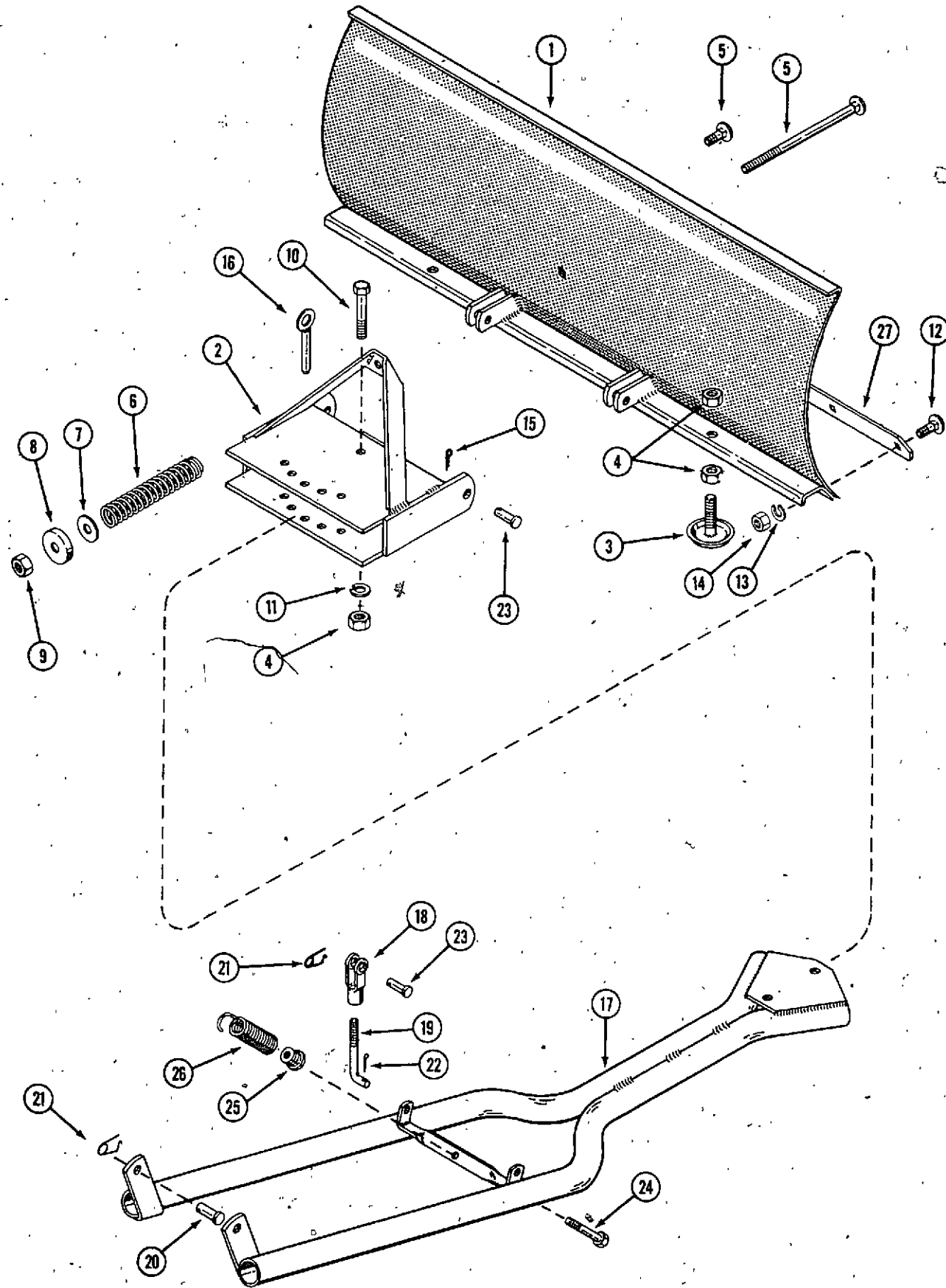
220, 222 AND 442 COMPACT TRACTORS

REF. PART NO.	DESCRIPTION	REQ'D.
1 C 10463	PULLEY - idler drive	2
2 C 12264	BUSHING - idler pulley	1
3 C 12249	SPACER - idler pulley	1
4 C 12256	BRACKET - pivot R.H.	1
5 C 14813	BRACKET ASSEMBLY	1
6 C 14811	BELLCRANK	1
7 C 14978	SPACER - bellcrank	1
8 C 12236	SPACER - idler bracket	2
9 113- 267	BOLT - 3/8" x 4" NC hex ZP	2
10 195- 522	WASHER - plain 3/8" ZP	1
11 129- 103	NUT - 3/8" NC hex ZP	1
12 131- 179	NUT - lock 3/8" NC hex	1
13 192- 21	LOCKWASHER - 3/8" ZP	2
14 193- 30	LOCKWASHER - 3/8" internal tooth	1
15 175- 420	SCREW - 3/8" x 3/4" NC truss head	1
16 C 14262	PIVOT - adjusting rod	1
17 C 14264	ROD - belt tension	1
18 C 14269	NUT - belt tension	1
19 C 10898	PIN - safety	2
20 C 14869	BRACKET - mower mounting R.H.	1
20 C 14868	BRACKET - mower mounting L.H.	1
21 111- 362	BOLT - 3/8" x 1" NC Rd. Hd. Square Neck	2
22 192- 21	LOCKWASHER - 3/8" ZP	2
23 129- 103	NUT - 3/8" NC hex ZP	2
24 C 14482	SPRING	1

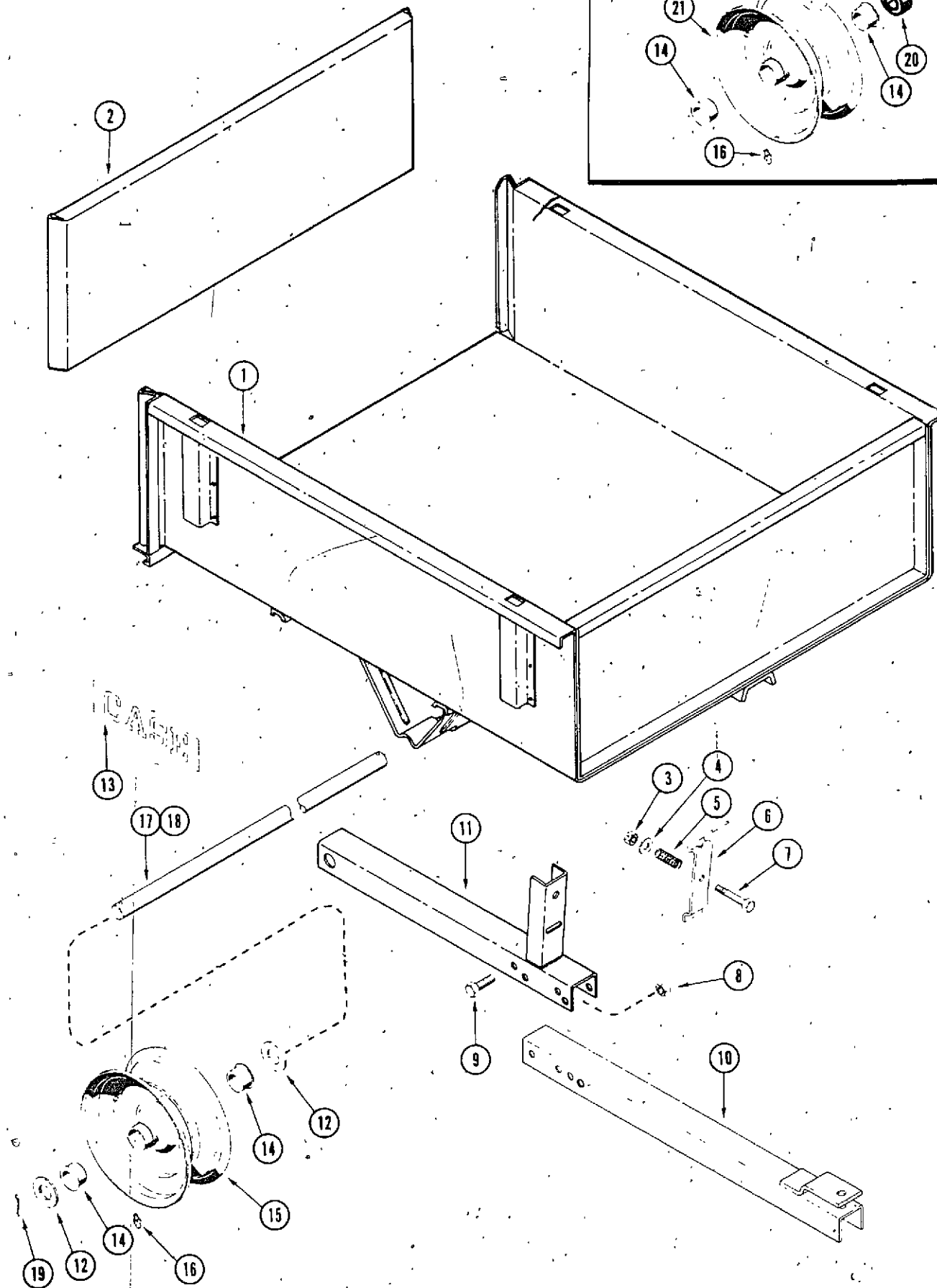
DRIVE ASSEMBLY

1	129- 103	NUT - 3/8" NC hex ZP	6
2	192- 21	LOCKWASHER - 3/8" ZP	6
3	C 12255	BRACKET - pivot L.H.	1
4	C 12264	BUSHING - idler pulley	2
5	C 10463	PULLEY - idler	2
6	C 12249	SPACER - idler pulley	2
7	C 14271	CLAMP - tube	1
8	C 14269	NUT - belt tension	1
9	C 12236	SPACER	2
10	C 14262	PIVOT - adjust rod	1
11	C 14264	ROD - belt tension	1
12	C 12256	BRACKET - pivot R.H.	1
13	113- 257	BOLT - 3/8" x 2-1/2" NC hex ZP	1
14	111- 362	BOLT - 3/8" x 1" Rd. Hd. Square Neck ZP	4
15	C 10898	PIN - safety	2
16	113- 258	BOLT - 3/8" x 6" NC hex ZP	1
17	C 12218	BRACKET - mounting R.H. (220 and 222)	1
17	C 12219	BRACKET - mounting L.H. (220 and 222)	1
17	C 12281	BRACKET - mounting R.H. (442)	1
17	C 12282	BRACKET - mounting L.H. (442)	1

**CASE ROTARY MOWER, GRADER BLADE AND DUMP CART
MODEL F50 AND F54 GRADER BLADE
220 222 442 AND 444 COMPACT TRACTOR**



REF. PART NO.	DESCRIPTION	REQ'D.
1 C 10870	BLADE ASSEMBLY - 44" 220 and 222	1
1 C 14442	BLADE ASSEMBLY - 54" 442 and 444	1
2 C 10873	PIVOT - blade	1
3 C 10968	SHOE - skid	1
4 25- 108	NUT - 1/2" NC Hex	2
5 C 11049	BOLT - 3/8" x 10" NC Rd. Hd. Square Neck	5
	(use with C10921 trip spring)	
5 111- 342	BOLT - 3/8" x 1" NC Rd. Hd. Square Neck	1
6 C 10921	SPRING - trip	1
7 195- 538	WASHER - 3/8" Plain	1
8 C 10896	WASHER - cup	1
9 129- 103	NUT - 3/8" NC Hex	1
10 113- 447	BOLT - 1/2" x 3-1/2" NC Hex	1
11 92- 8	LOCKWASHER - 3/8"	1
12 11- 516	BOLT - 5/16" x 1" NC Rd. Hd. Square Neck	8
13 92- 5	LOCKWASHER - 5/16"	8
14 25- 105	NUT - 5/16" NC Hex	8
15 132- 48	PIN - cotter	2
16 C 10888	PIN - locking	1
17 C 15265	FRAME - grader undercarriage, F50	1
17 C 15027	FRAME - grader undercarriage, F54	1
18 C 10952	YOKE - clevis	2
19 C 14601	ROD - front mounting adjust, F50	2
19 C 12328	ROD - front mounting adjust, F54	2
20 C 10820	PIN - clevis 5/8"	2
21 C 10898	PIN - safety	4
22 132- 26	PIN - cotter 3/32" x 3/4"	2
23 141- 56	PIN - clevis 1/2"	4
24 C 10967	BOLT - 3/8" x 3" NC Hex, F50	1
24 C 14474	BOLT - 3/8" x 5" NC Hex, F54	1
25 C 10965	PLUG - spring adjust	1
26 C 10966	SPRING - lift assist	1
27 C 10871	EDGE - cutting	1
27 C 14440	EDGE - cutting 54"	1
321- 264	DECAL - "CASE"	1



**CASE ROTARY MOWER, GRADER BLADE AND DUMP CART
MODEL E60 DUMP CART
220 222 442 AND 444 COMPACT TRACTORS**

REF. PART NO.	DESCRIPTION	REQ'D.
1 C 13788	BODY	1
2 C 13547	TAILGATE	1
3 131- 176	NUT - lock 5/16" NC Hex Zinc Plated	1
4 195- 2027	WASHER - 11/32" ID Zinc Plated	1
5 C 11942	SPRING - release	1
6 C 13859	LEVER- release	1
7 113- 111	BOLT - 5/16" x 2-1/2" NC Hex Zinc Plated	1
8 131- 178	NUT - lock 3/8" NC Hex Zinc Plated	4
9 113- 206	BOLT - 3/8" x 3/4" NC Hex Zinc Plated	1
10 C 14072	TONGUE - front	1
11 C 14073	TONGUE - rear	1
12 195- 533	WASHER - plain 1"	4
13 321- 264	DECAL	2
14 C 14221	BUSHING - flanged	2
15 A 70066	WHEEL - centered hub (used with C13920 axle)	2
16 219- 1	FITTING - lube	2
17 C 13920	SHAFT - axle 33-3/4" (used with A70066 wheel)	1
18 C 14080	SHAFT - axle 34-21/32" (used with C10531 wheel)	1
19 132- 306	PIN - cotter 3/16" x 1-3/4" Zinc Plated	2
20 C 14081	SPACER - wheel (used with C10531 wheel)	2
21 C 10531	WHEEL - offset hub (used with C14080 axle)	2

INGERSOLL

Ingersoll Equipment Co., Inc.

INGERSOLL

Ingersoll Equipment Co., Inc.

INGERSOLL

Ingersoll Equipment Co., Inc.

INGERSOLL

Ingersoll Equipment Co., Inc.

INGERSOLL
Ingersoll Equipment Co., Inc.

INGERSOLL
Ingersoll Equipment Co., Inc.

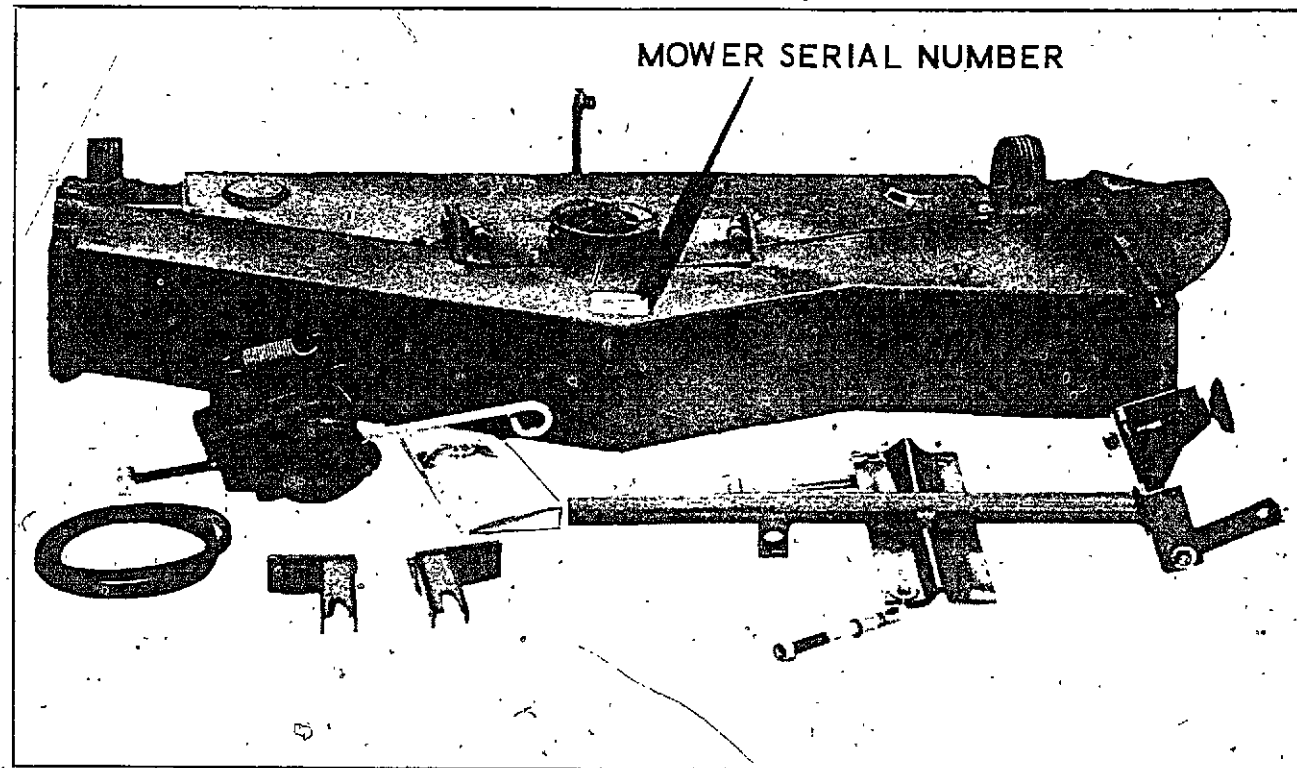
F46 MOWER FOR 442 AND 444 COMPACT TRACTORS

Parts Catalog A1134

Print Shop 3000 8-76

Note: This catalog replaces the previous issue - 1134 - which is obsolete and should be discarded.

CASE MODEL F46 48" ROTARY MOWER



DESIGNATIONS	TRACTOR APPLICATION
MODEL F46 - 48" ROTARY MOWER	MODELS 442 AND 444

ALPHABETICAL INDEX

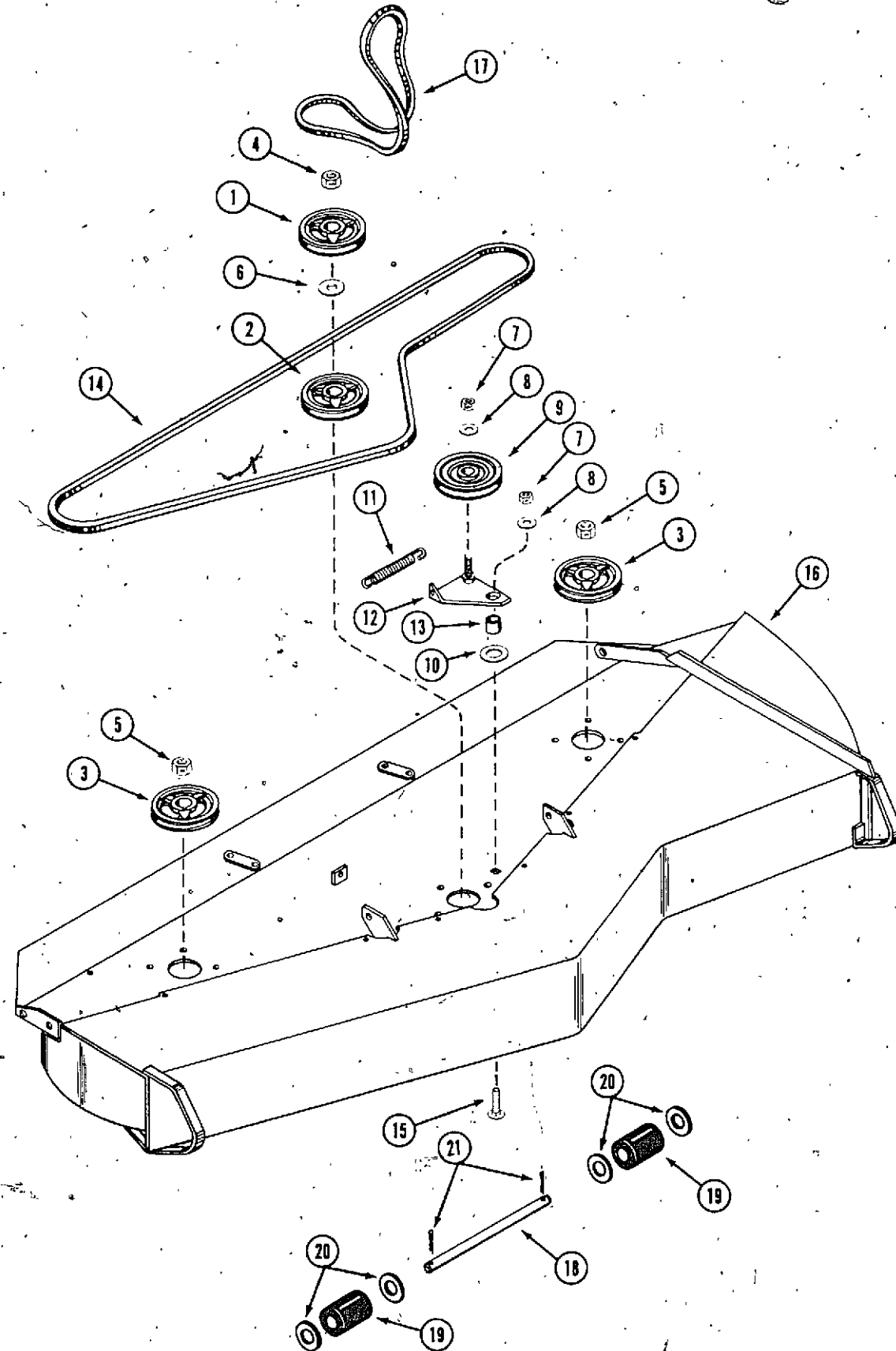
	PAGE	GRID
Axle	9	E8
Belts, Drive	5	E4
Belts, Driven	5	E4
Blades	7	E6
Deck	5	E4
Drive Assembly	9	E8
Guards	7	E6
Housing, Spindle	7	E6
Lift Assesmbly	9	E8
Pulleys	5	E4
Rear Wheels	9	E8
Rod, Lift Adjusting	9	E8
Spindles	7	E6

NOTE: See grid A2 for -
E80, E84, F80, F84 Snowcasters

NOTE: See grid C2 for -
F40, F42, F44 Rotary Mowers
F50, F54 Grader Blades
E60 Dump Cart

When using this catalog, note the location of serial numbers on various components and their position on the tractor. By referring to the serial number on the parts list, you will be assured of

**CASE MODEL F46 48" ROTARY MOWER
DECK, PULLEYS AND BELTS
442 AND 444 COMPACT TRACTORS**

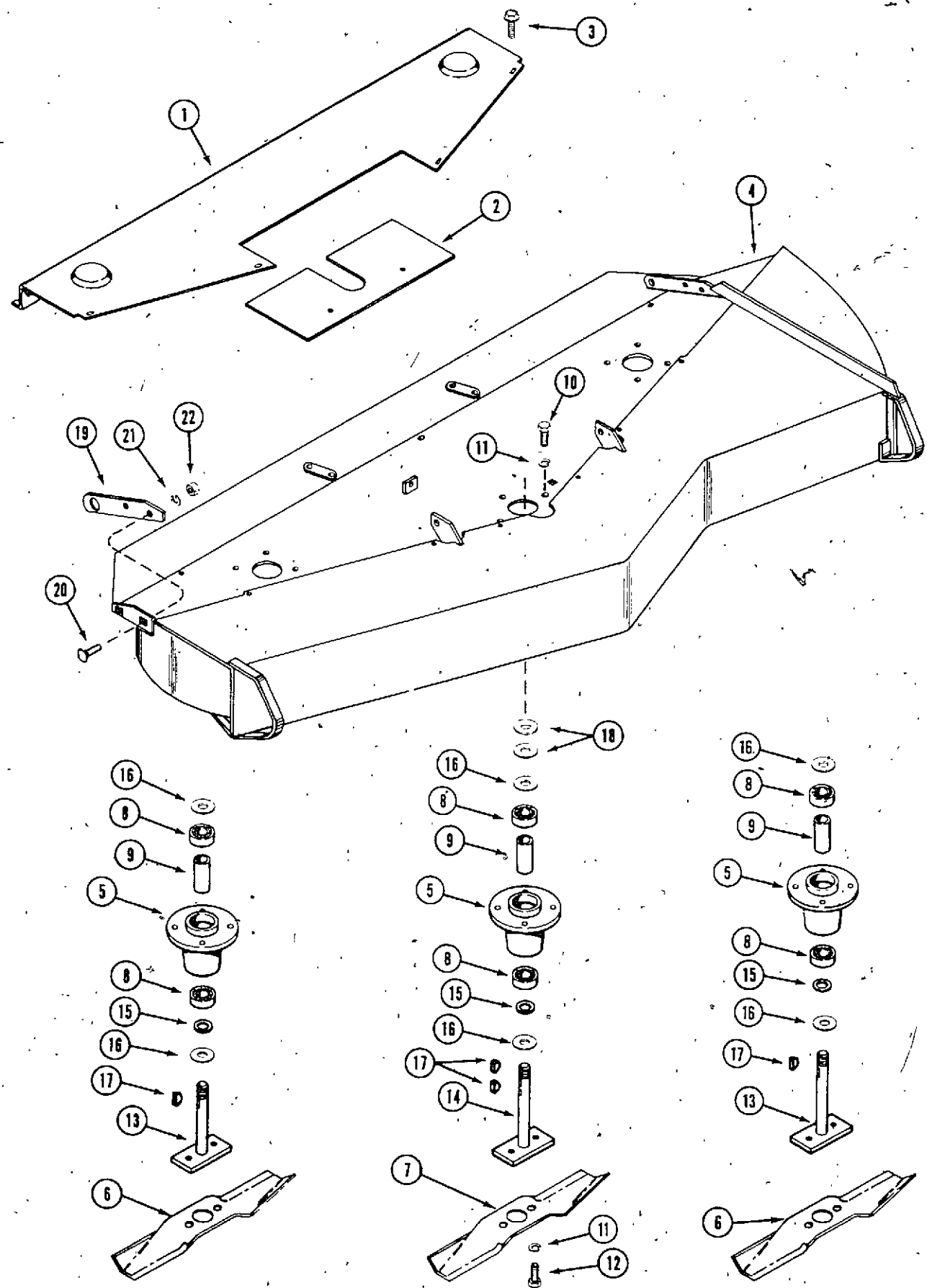


REF. PART NO.	DESCRIPTION	REQ'D
1 C 14960	PULLEY - deck drive.....	1
2 C 14962	PULLEY - spindle, center.....	1
3 C 14961	PULLEY - spindle, outboard.....	2
4 131- 172	NUT - lock 3/4" NF Z.P.....	1
5 131- 152	NUT - lock 3/4" jam NF Z.P.....	2
6 195- 545	WASHER - plain 3/4" Z.P.....	1
7 131- 178	NUT - lock 3/8" NC hex Z.P.....	2
8 195- 522	WASHER - plain 3/8" Z.P.....	2
9 C 12251	PULLEY - deck idler.....	1
10 195- 530	WASHER - plain 1/2" Z.P.....	1
11 C 14482	SPRING - deck idler.....	1
12 C 14731	BRACKET - deck idler.....	1
13 C 14768	SPACER - idler bracket.....	1
14 C 22708	BELT - mower deck.....	1
15 111- 317	BOLT - 3/8" x 1" NC rd. hd., square neck Z.P.....	1
16 C 14888	DECK - mower 48".....	1
17 C 23810	BELT - drive.....	1
18 C 14892	SHAFT - rear roller.....	1
19 A 70514	ROLLER - 2-1/2" x 2-3/8" rubber.....	2
20 195- 108	WASHER - plain 5/8".....	4
21 132- 310	PIN - cotter 1/8" x 1" Z.P.....	2
A 70404	DECAL - "Caution".....	2
C 12519	DECAL - "NO STEP".....	2
C 12664	DECAL - ASA safety.....	2
C 14969	DECAL - level indicator.....	1

7

CASE MODEL F46 48" ROTARY MOWER BLADES, SPINDLES AND DECK COVERS

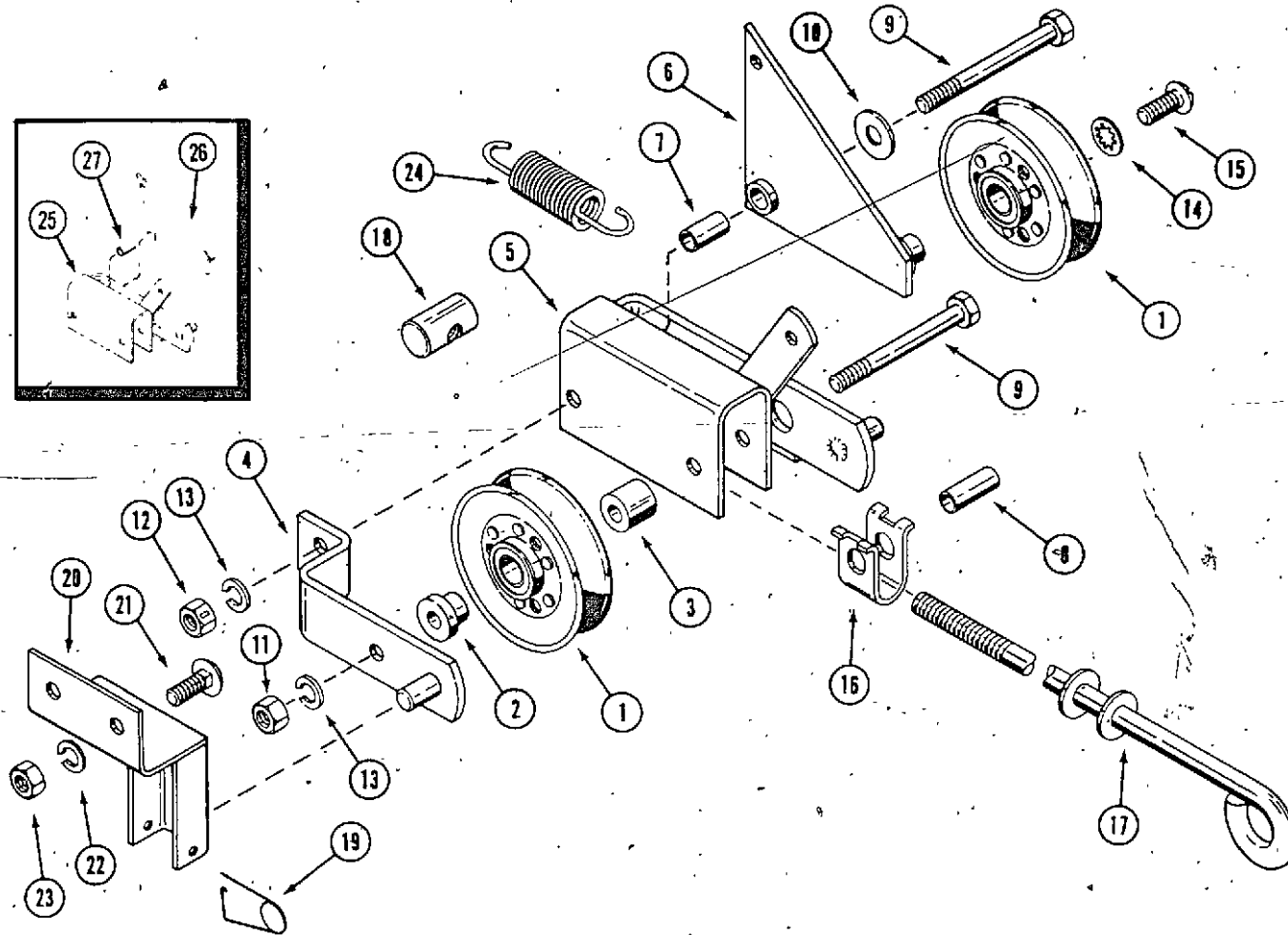
442 AND 444 COMPACT TRACTORS



REF. PART NO.	DESCRIPTION	REQ'D
1 C 14940	GUARD - deck belt, large	1
2 C 14939	GUARD - deck belt, small	1
3 187- 1036	SCREW - 1/4" x 1/2" NC hex self-tapping	9
4 C 14888	DECK - mower 48"	1
5 C 17666	HOUSING - mower spindle (also order (2) A63279)	3
6 C 14886	BLADE - mower, outboard 17"	2
7 C 14885	BLADE - mower, center 16"	1
8 A 70280	BEARING - spindle	6
9 C 10810	SPACER - bearing	3
10 15- 612	BOLT - 3/8" x 3/4" NC hex	12
11 92- 6	LOCKWASHER - 3/8"	18
12 115- 206	BOLT - 3/8" x 5/8" NC hex	6
13 C 10808	SPINDLE - outboard	2
14 C 14926	SPINDLE - center	1
15 C 10942	WASHER - bearing seal	3
16 C 10822	WASHER - mower spindle	6
17 126- 19	KEY - #11 Woodruff	4
18 195- 545	WASHER - spacer, center spindle	2
19 C 14775	BRACKET - axle R.H.	1
20 111- 317	BOLT - 3/8" x 1" NC rd. hd., square neck Z.P.	2
21 192- 21	LOCKWASHER - 3/8" Z.P.	2
22 129- 103	NUT - 3/8" NC hex Z.P.	2

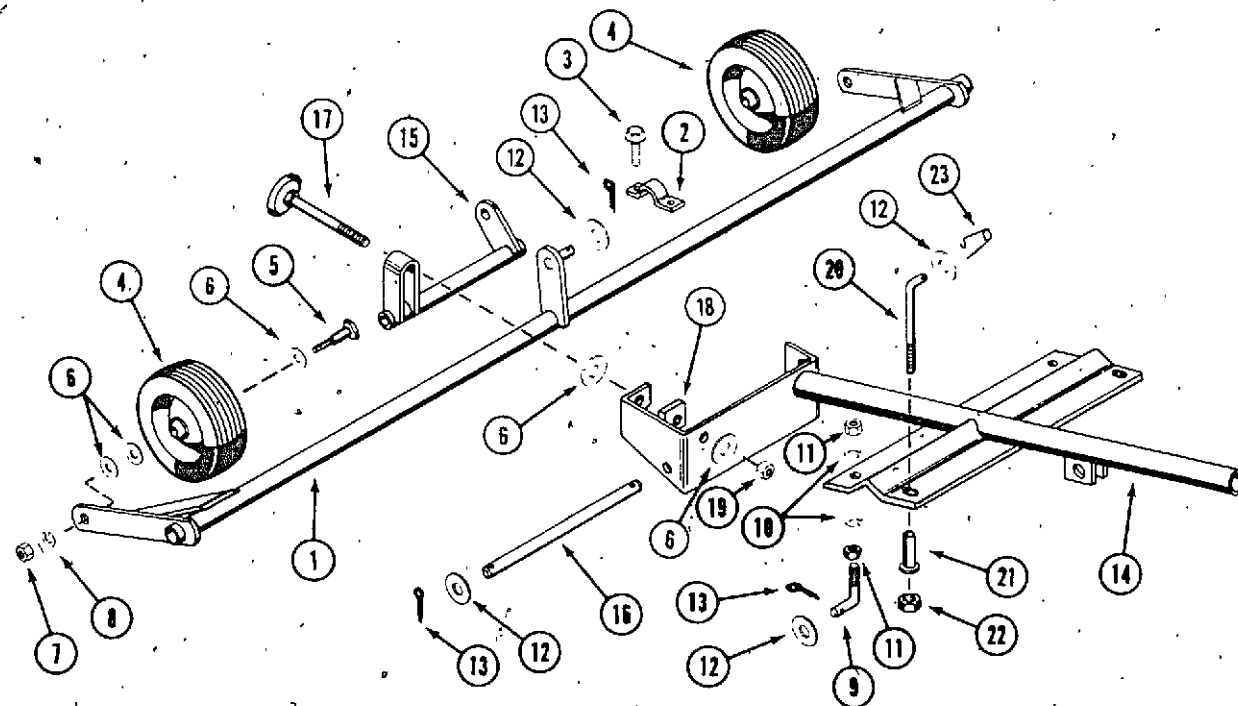
DRIVE ASSEMBLY

442 AND 444 COMPACT TRACTORS



REF. PART NO.	DESCRIPTION	REQ'D
1 C 10463	PULLEY - idler drive	2
2 C 12264	BUSHING - idler pulley	1
3 C 12249	SPACER - idler pulley	1
4 C 12256	BRACKET - pivot R.H.	1
5 C 14813	BRACKET ASSEMBLY (early production)	1
6 C 14811	BELLCRANK (early production)	1
7 C 14978	SPACER - bellcrank (early production)	1
8 C 12236	SPACER - idler bracket	2
9 113- 267	BOLT - 3/8" x 4" NC hex Z.P.	2
10 195- 522	WASHER - plain 3/8" Z.P.	1
11 129- 103	NUT - 3/8" NC hex Z.P.	1
12 131- 179	NUT - lock 3/8" NC hex	1
13 192- 21	LOCKWASHER - 3/8" Z.P.	2
14 193- 30	LOCKWASHER - 3/8" internal tooth	1
15 175- 420	SCREW - 3/8" x 3/4" NC truss head	1
16 C 14262	PIVOT - adjusting rod	1
17 C 14264	ROD - belt tension	1
18 C 14269	NUT - belt tension	1
19 C 10898	PIN - safety	2
20 C 14869	BRACKET - mower mounting R.H.	1
20 C 14868	BRACKET - mower mounting L.H.	1
21 111- 362	BOLT - 3/8" x 1" NC rd. hd., square neck	2
22 192- 21	LOCKWASHER - 3/8" Z.P.	2
23 129- 103	NUT - 3/8" NC hex Z.P.	2
24 C 14482	SPRING	1
25 C 15930	BRACKET ASSEMBLY (late production)	1
26 C 15962	BELLCRANK (late production)	1
27 C 15931	SPACER - bellcrank (late production)	1

REAR WHEELS, AXLE AND LIFT ASSEMBLY



1 C 14773	AXLE - rear wheels	1
2 C 14932	BRACKET - axle mounting	2
3 187- 1036	BOLT - 1/4" x 1/2" NC hex self-tapping	4
4 C 19556	WHEEL - rubber	2
5 C 14966	STUD - wheel	2
6 195- 533	WASHER - plain 1/2" Z.P.	8
7 129- 103	NUT - 3/8" NC hex Z.P.	2
8 192- 21	LOCKWASHER - 3/8" Z.P.	2
9 C 14933	"J" BOLT - short	2
10 192- 23	LOCKWASHER - 1/2" Z.P.	4
11 129- 105	NUT - 1/2" NC hex	4
12 195- 530	WASHER - plain 1/2" Z.P.	7
13 132- 310	PIN - cotter 1/8" x 1"	5
14 C 14642	FRAME - mower lift	1
15 C 14643	BRACKET - height adjust	1
16 C 14934	SHAFT - height adjust	1
17 C 14957	SCREW - height adjust	1
18 C 14959	NUT - height adjust	1
19 131- 168	NUT - lock 1/2" NF hex	1
20 C 14936	ROD - lift adjusting	2
21 C 12571	SLEEVE - lift	2
22 131- 165	NUT - lock 1/2" NC hex	2
23 C 10898	PIN - safety	2

NUMERICAL INDEX

PART NO.	PAGE NO.	REF. NO.	PART NO.	PAGE NO.	REF. NO.	PART NO.	PAGE NO.	REF. NO.
A	70280	7	8	C	15930	9	25	
A	70404	5		C	15931	9	27	
A	70514	5	19	C	15962	9	26	
C	10463	9	1	C	17666	7	5	
C	10808	7	13	C	22708	5	14	
C	10810	7	9	C	23810	5	17	
C	10822	7	16					
C	10898	9	19					
C	10898	9	23					
C	10942	7	15					
C	12236	9	8					
C	12249	9	3					
C	12251	5	9					
C	12256	9	4					
C	12264	9	2					
C	12519	5						
C	12571	9	21					
C	12664	5						
C	14262	9	16					
C	14264	9	17					
C	14269	9	18					
C	14482	5	11					
C	14482	9	24					
C	14642	9	14					
C	14643	9	15					
C	14731	5	12					
C	14768	5	13					
C	14773	9	1					
C	14775	7	19					
C	14811	9	6					
C	14813	9	5					
C	14868	9	20					
C	14869	9	20					
C	14885	7	7					
C	14886	7	6					
C	14888	5	16					
C	14888	7	4					
C	14892	5	18					
C	14926	7	14					
C	14932	9	2					
C	14933	9	9					
C	14934	9	16					
C	14936	9	20					
C	14939	7	2					
C	14940	7	1					
C	14957	9	17					
C	14959	9	18					
C	14960	5	1					
C	14961	5	3					
C	14962	5	2					
C	14964	9	4					
C	14966	9	5					
C	14969	5						
C	14978	9	7					

HARDWARE CODE NUMBERS

15-	612	7	10
92-	6	7	11
111-	317	5	15
111-	317	7	20
111-	362	9	21
113-	267	9	9
115-	206	7	12
126-	19	7	17
129-	103	7	22
129-	103	9	7
129-	103	9	11
129-	103	9	23
129-	105	9	11
131-	152	5	5
131-	165	9	22
131-	168	9	19
131-	172	5	4
131-	178	5	7
131-	179	9	12
132-	310	5	21
132-	310	9	13
175-	420	9	15
187-	1036	7	3
187-	1036	9	3
192-	21	7	21
192-	21	9	8
192-	21	9	13
192-	21	9	22
192-	23	9	10
193-	30	9	14
195-	108	5	20
195-	522	5	8
195-	522	9	10
195-	530	5	10
195-	530	9	12
195-	533	9	6
195-	545	5	6
195-	545	7	18

INGERSOLL
Ingersoll Equipment Co., Inc.

INGERSOLL

Ingersoll Equipment Co., Inc.

INGERSOLL

Ingersoll Equipment Co., Inc.

INGERSOLL

Ingersoll Equipment Co., Inc.

INGERSOLL

Ingersoll Equipment Co., Inc.