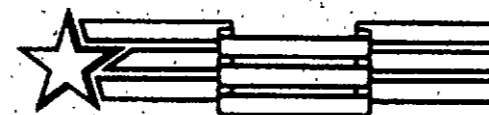




**5118D
DIESEL FRONT CUT
Manual 8-58040**

Table of Contents

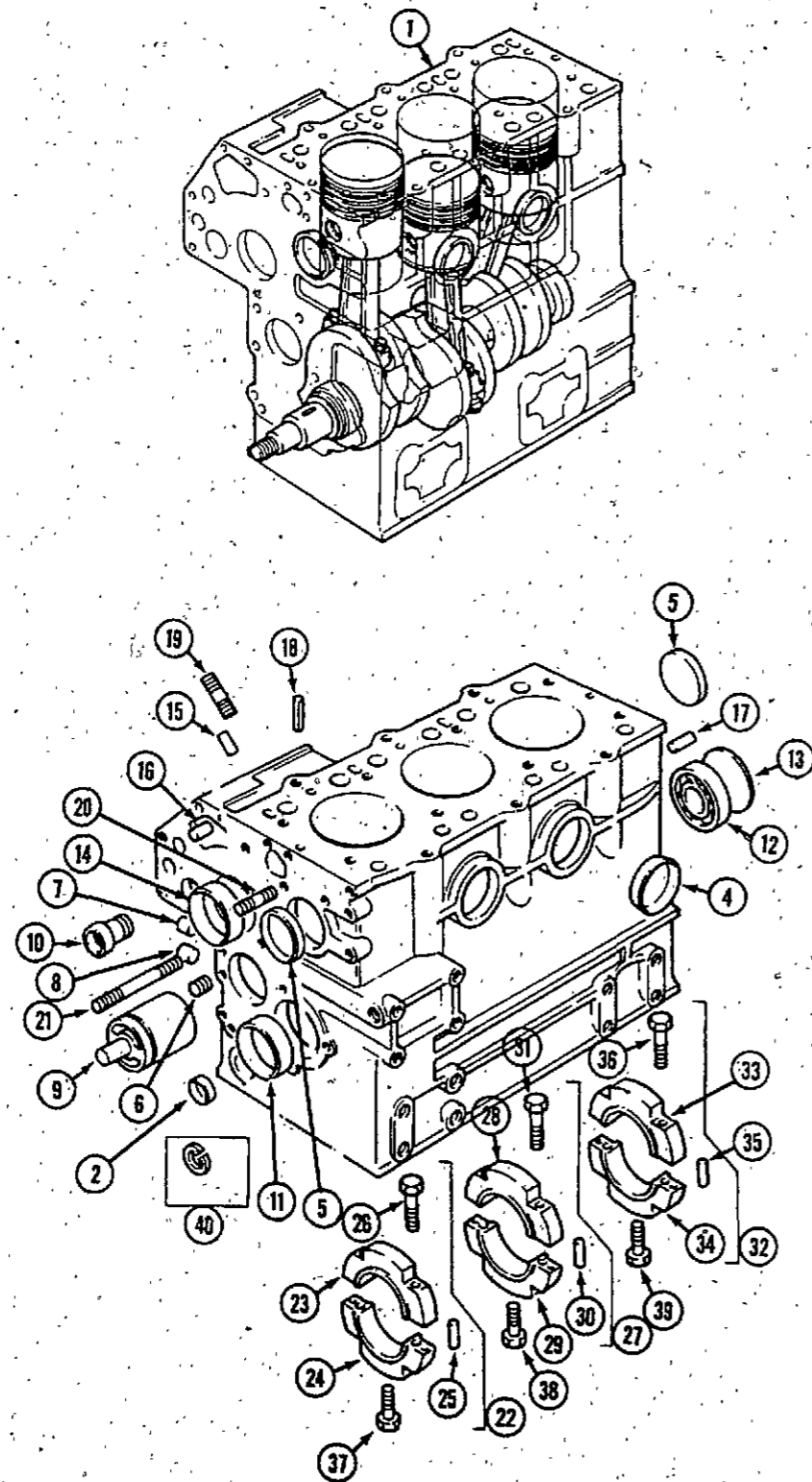
ENGINE	Page	Grid
Cylinder Block	23	A4
Flywheel, Crankshaft, Pistons and Rings	25	A6
Cylinder Head	27	A8
Rocker Shaft	27	A8
Timing Gear and Camshaft	29	A10
Camshaft Case and Throttle Linkage	29	A10
Oil Pump	31	A12
Throttle Control	31	A12
Lubrication Components	33	A14
Glow Plugs	35	B2
Tachometer	35	B2
Fuel System	37	B4
Fuel Pump	37	B4
Fuel Injection System	39	B6
Fuel Injection Pump	41	B8
Atomizer	41	B8
Exhaust System	43	B10
Water Pump, Thermostat, Temperature Sender	49	C2
Air Cleaner	51	C4
Engine Mounts	51	C4
Starter, Plate and Flywheel Shield	53	C6
Alternator and Belt	55	C8
Alternator Assembly	55	C8
Gasket Kit	57	C10
TRACTOR		
Fuel System (tractor)	43	B10
Exhaust System	43	B10
Radiator and Shroud	45	B12
Radiator Fan Assembly	47	B14
Base and Lift Arms	59	C12
Body and Attaching Parts	61	C14
Seat, Lid and Rear Cover	63	D2
Parking Brake	65	D4
Drive Wheels	65	D4
Single Tail Wheel	67	D6
Steering	69	D8
Transmission Controls and Cross Shaft	69	D8
Drive Idler	71	D10
Electric Clutch (PTO)	71	D10
Hydraulic System (Drive)	73	D12
Hydraulic Lift Assembly	75	D14
Electric System	77	E2
Decals	79	E4
52" Mower Deck	81	E6
52" Mower Deck Drive	83	E8
62" Mower Deck	85	E10
62" Mower Deck Drive	87	E12
Gear Box (Mower)	89	E14



QUALITY IN THE AMERICAN TRADITION

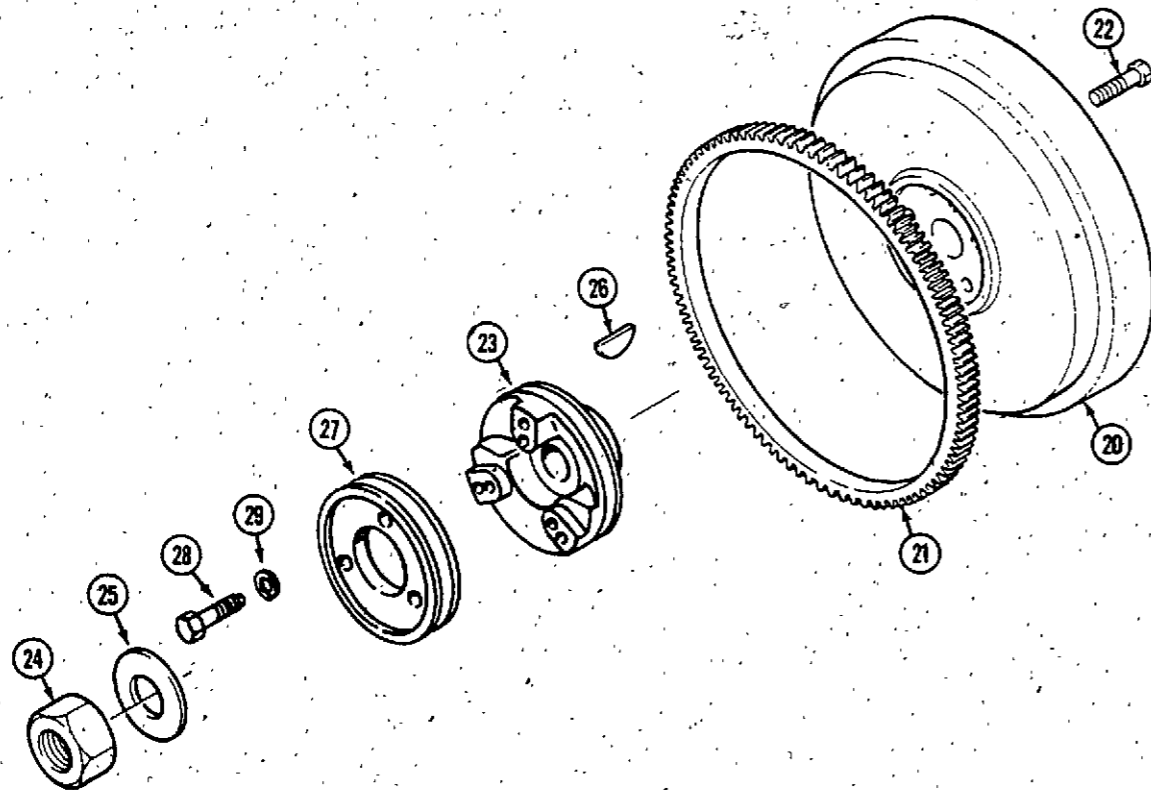
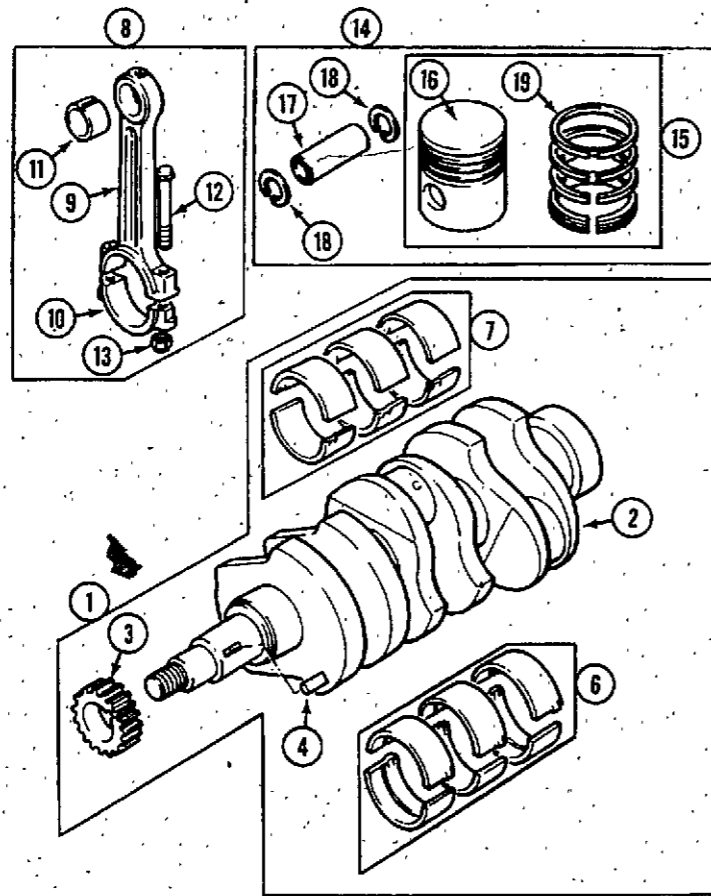
CYLINDER BLOCK

NOTE: FOR COMPLETE ENGINE ORDER C42982

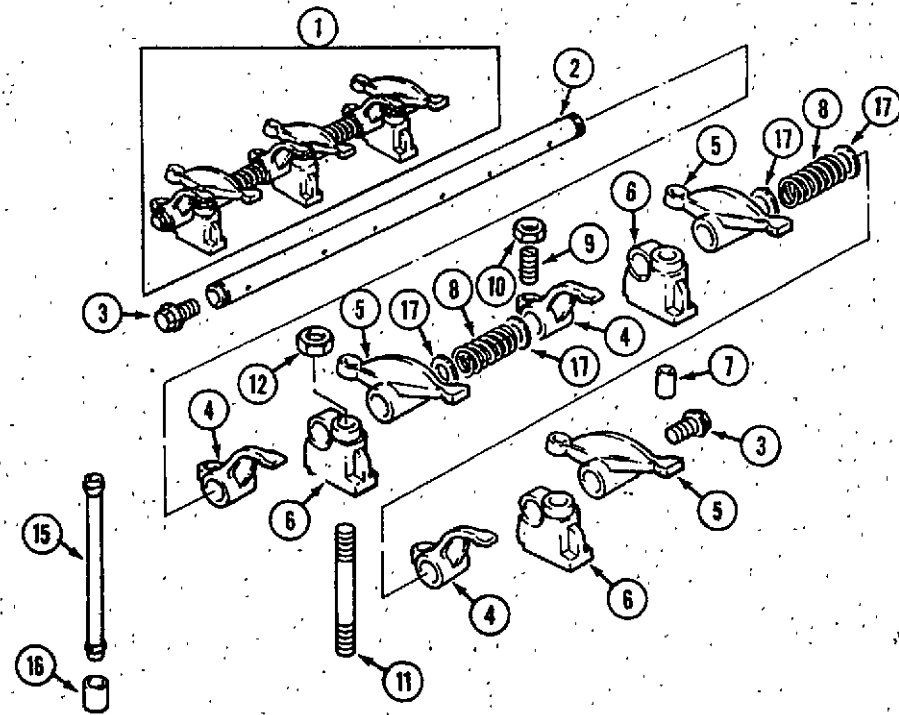
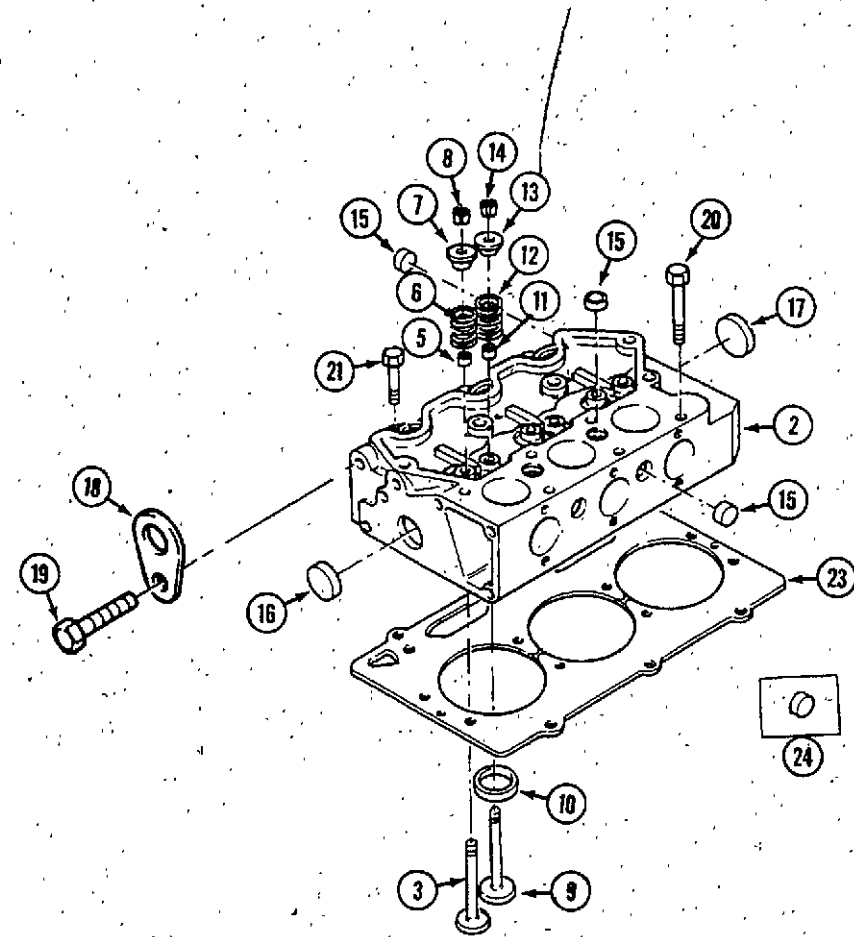


REF.	PART NO.	DESCRIPTION	REQ'D
1	P110006670	BLOCK - cylinder, short	1
2	P064200015	PLUG	1
4	P064200040	PLUG	2
5	P064200040	PLUG	2
6	P198466050	PLUG	3
7	P198466010	PLUG	4
8	P198466070	PLUG	2
9	P165296160	SHAFT	1
10	P198517090	BUSHING	1
11	P198517300	BUSHING - standard	1
11	P198517304	BUSHING - 0.25 mm undersize	UAR
11	P198517307	BUSHING - 0.50 mm undersize	UAR
12	P040106203	BEARING - ball	1
13	P064100045	PLUG	1
14	P042303015	BUSHING	1
15	P030500512	DOWEL	2
16	P030500616	DOWEL	2
17	P030500820	DOWEL	2
18	P030309005	PIN	2
19	P012100620	STUD	2
20	P012100635	STUD	1
21	P012100660	STUD	1
22	P110156220	HOLDER	1
23	NSS	CAP	1
24	NSS	CAP	1
25	P030500612	DOWEL	2
26	P010810840	SCREW	2
27	P110156230	HOLDER	1
28	NSS	CAP	1
29	NSS	CAP	1
30	P030500612	DOWEL	2
31	P010810840	SCREW	2
32	P110156240	HOLDER	1
33	NSS	CAP	1
34	NSS	CAP	1
35	P030500612	DOWEL	2
36	P010810840	SCREW	2
37	P011310850	SCREW	1
38	P011310850	SCREW	1
39	P010700845	SCREW	2
40	P036509005	CIRCLIP	1
41	P064200018	PLUG	2

FLYWHEEL, CRANKSHAFT, PISTONS AND RINGS



REF.	PART NO.	DESCRIPTION	REQ'D
1	P115236020	KIT - crankshaft	1
2	NSS	CRANKSHAFT	1
3	P115276210	GEAR	1
4	P030509020	KEY	1
6	P198586030	KIT - bearing (standard)	1
6	P198586034	KIT - bearing (0.25mm undersize)	UAR
6	P198586037	KIT - bearing (0.50mm undersize)	UAR
7	P198586060	KIT - bearing (standard)	1
7	P198586064	KIT - bearing (0.25mm undersize)	UAR
7	P198586067	KIT - bearing (0.50mm undersize)	UAR
8	P115026240	ROD - connecting	3
9	NSS	ROD	1
10	NSS	CAP	1
11	P198517325	BUSHING	1
12	P115176130	SCREW	2
13	P020109103	NUT	2
14	P115017090	KIT - piston (standard)	3
14	P115017100	KIT - piston (0.50mm oversize)	UAR
15	NSS	PISTON ASSEMBLY	1
16	NSS	PISTON	1
17	P115326260	PIN	1
18	P036500019	CIRCLIP	2
19	P115107400	KIT - rings (standard)	1
19	P115107410	KIT - rings (0.50mm oversize)	1
20	P115357260	FLYWHEEL	1
21	P115376150	RING	1
22	P010109330	SCREW	4
23	C 45367	PULLEY	1
24	P020800018	NUT	1
25	P026200018	WASHER	1
26	P034100508	KEY	1
27	C 45369	PULLEY - engine	1
28	113- 104	BOLT - 5/16" - 18 x 1-1/4	3
29	192- 20	LOCKWASHER - 5/16"	3

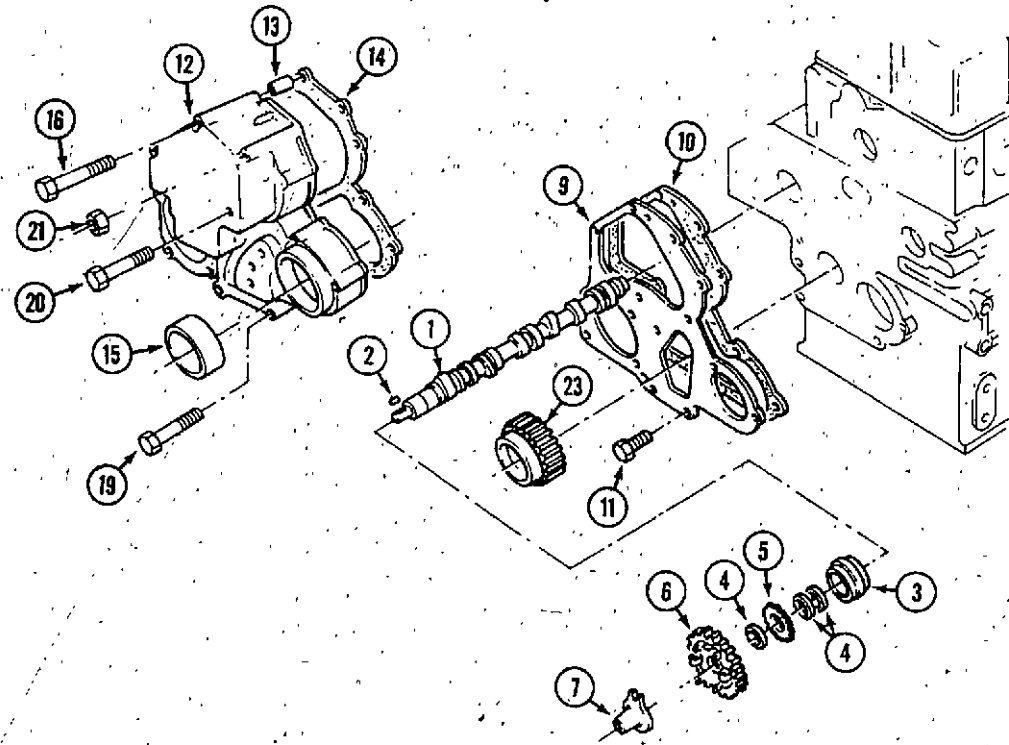


CYLINDER HEAD

REF.	PART NO.	DESCRIPTION	REQ'D
	P111016911	KIT - cylinder head	1
2	P111086030	HEAD - cylinder (includes ref. 15, 16, 17 and 24)	1
3	P120166280	VALVE - inlet	3
5	P120406080	SEAL	3
6	P198217070	SPRING	3
7	P120186100	CAP	3
8	P120226080	RETAINERS	6
9	P120176290	VALVE - exhaust	3
10	P110136290	INSERT	3
11	P120406080	SEAL	3
12	P198217070	SPRING	3
13	P120186100	CAP	3
14	P120226080	RETAINERS	6
15	P198466070	PLUG	4
16	P064200022	PLUG	3
17	P064200022	PLUG	3
18	P195816200	PLATE - lifting	2
19	P011310816	SCREW	2
20	P111136340	SCREW	11
21	P111136350	SCREW	3
23	C 43611	GASKET	1
23	P111147390	GASKET - (0.5mm oversize)	UAR
24	P064200018	PLUG - included in cylinder head kit	2

ROCKER SHAFT

1	P120036330	SHAFT ASSEMBLY - rocker	1
2	P120316190	SHAFT	1
3	P064609006	PLUG	2
4	P120356120	LEVER - L.H.	3
5	P120356110	LEVER - R.H.	3
6	P120346170	BRACKET	3
7	P030300325	PIN	1
8	P198217080	SPRING	2
9	P199486220	SCREW - adjusting	6
10	P020109076	NUT	6
11	P012109177	STUD	3
12	P023100008	NUT	3
15	P120456240	ROD	6
16	P120116100	TAPPET	6
17	P199280280	WASHER - included with shaft assembly	4

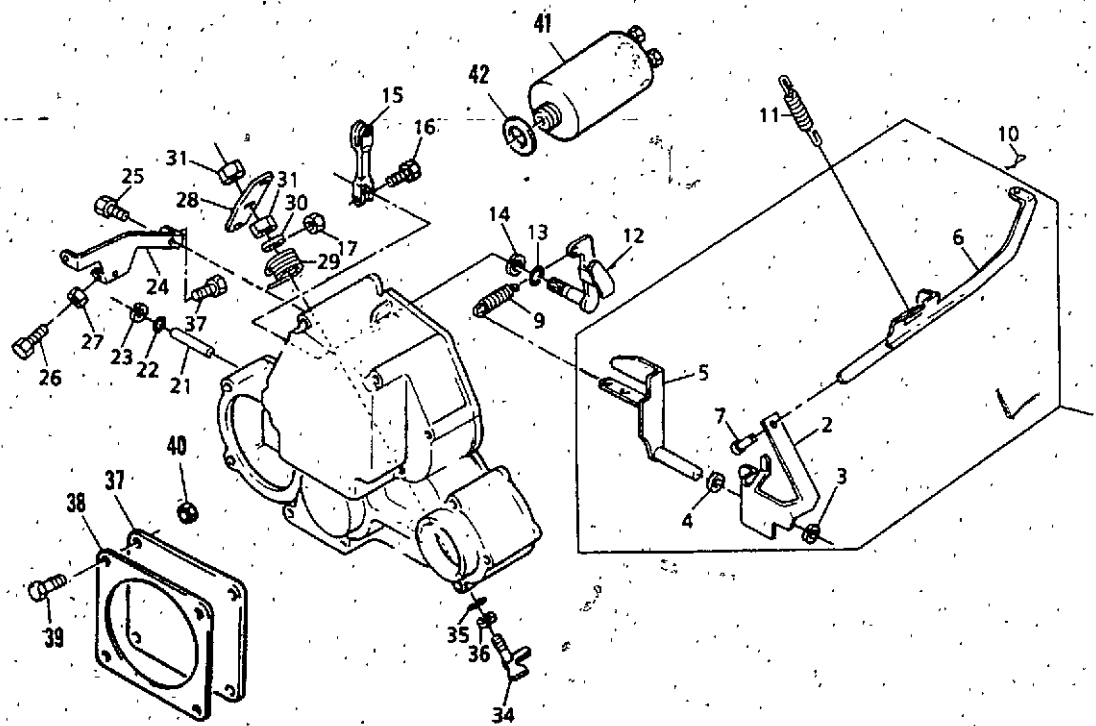


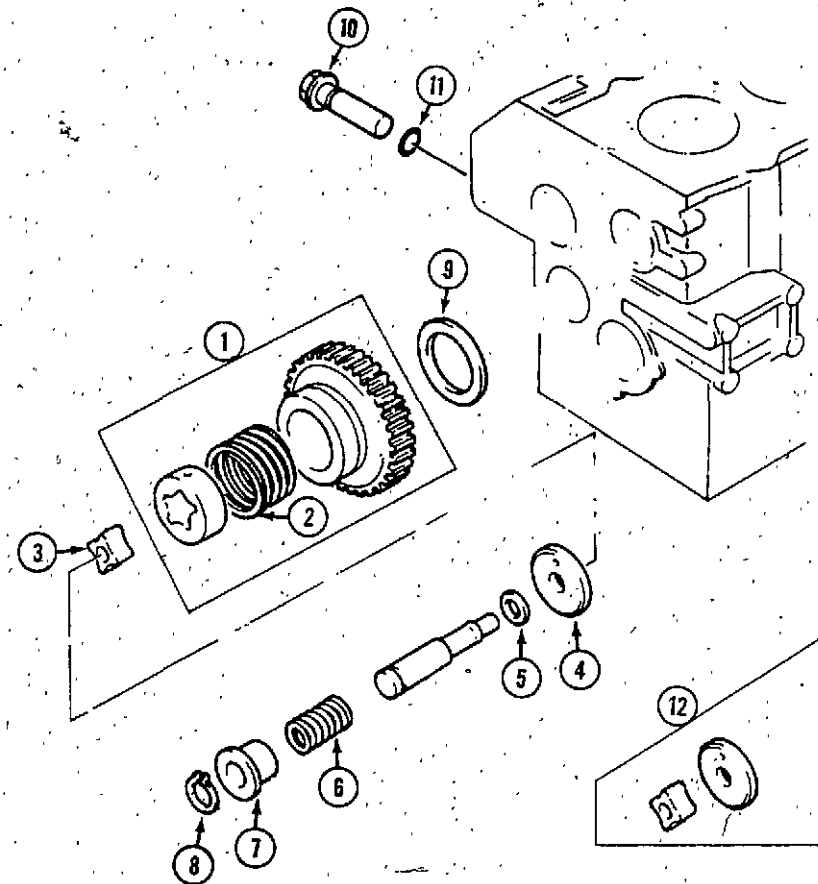
TIMING GEAR AND CAMSHAFT

REF.	PART NO.	DESCRIPTION	REQ'D
1	P120026120	CAMSHAFT	1
2	P034100508	KEY	1
3	P040109059	BEARING	1
4	P199216230	SPACER	3
5	P120736081	GEAR	1
6	P120016030	GEAR	1
7	P125256120	TAPPET	1
9	P165166260	PLATE	1
10	C 43612	GASKET	1
11	P011300612	BOLT	3
12	P165106131	CASE	1
13	P030300414	PIN	12
14	C 43613	GASKET	1
15	P198636090	SEAL	1
16	P011300680	SCREW	2
19	P011300640	SCREW	4
20	P011300660	SCREW	2
21	P023100006	NUT	1
23	NSS	GEAR - see oil pump page 31	1

CAMSHAFT CASE AND THROTTLE LINKAGE

1	P125046140	LEVER ASSEMBLY	1
2	NSS	LEVER	1
3	P036800008	CIRCLIP	1
4	P026200010	WASHER	1
5	P125406071	LEVER	1
6	NSS	LINK	1
7	NSS	PIN	1
9	P198217110	SPRING	1
10	P031100004	PIN	1
11	P198216731	SPRING	1
12	P125156170	ARM	1
13	P052100070	"O" RING	1
14	P036800008	CIRCLIP	1
15	P125416020	LEVER	1
16	P010110630	SCREW	1
17	P023100006	NUT	1
21	P125116130	SHAFT	1
22	P052100030	"O" RING	1
23	P036800005	CIRCLIP	1
24	P125976120	STAY	1
25	P011300616	SCREW	2
26	P010109264	SCREW	2
27	P023100006	NUT	2
28	P125176080	LEVER	1
29	P198216760	SPRING	1
30	P026200008	WASHER	1
31	P020300008	NUT	2
34	P125156180	ARM	1
35	P052100050	"O" RING	1
36	P036800006	CIRCLIP	1
37	P165206360	PLATE	1
38	P165996420	GASKET	1
39	P010110850	SCREW	4
40	P023100008	NUT	4
41	P185206082	SOLENOID - fuel shut off	1
42	P025100016	WASHER	1



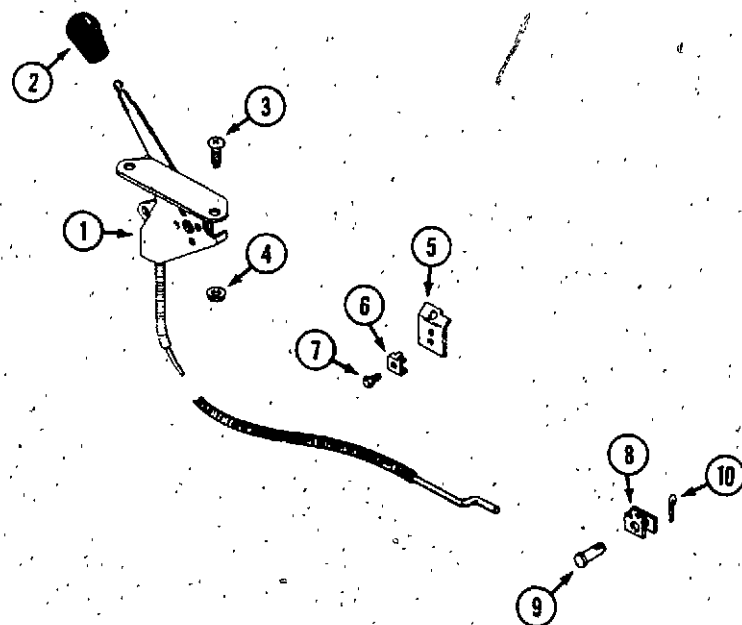


OIL PUMP

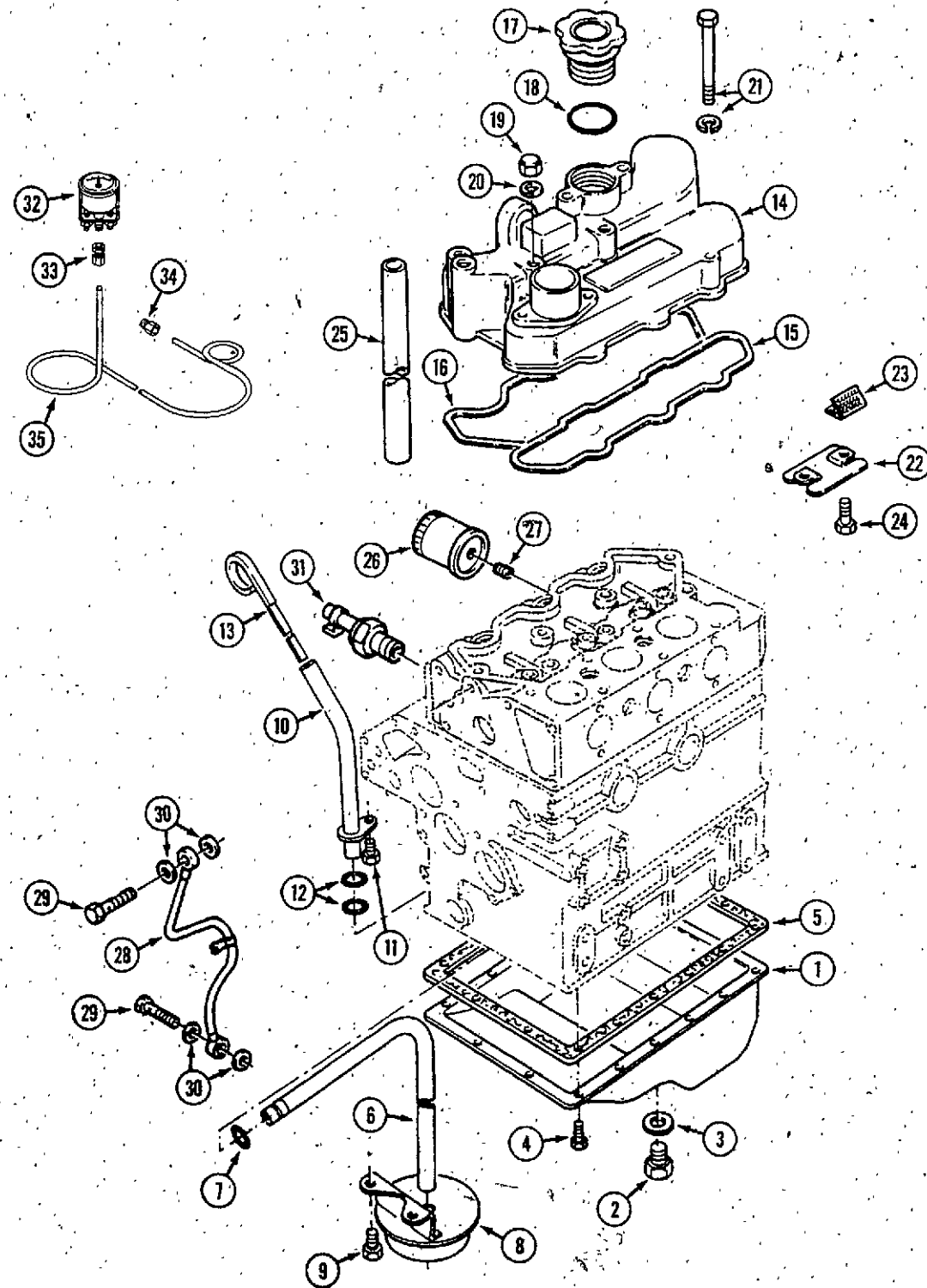
REF.	PART NO.	DESCRIPTION	REQ'D
1	P165026110	GEAR ASSEMBLY	1
2	P198216821	SPRING	1
3	P140166130	ROTOR	1
4	P140116140	COVER	1
5	P199286150	SHIM - 0.10mm	UAR
5	P199286160	SHIM - 0.15mm	UAR
5	P199286170	SHIM - 0.20mm	UAR
5	P199286180	SHIM - 0.50mm	UAR
6	P198216720	SPRING	1
7	P199236540	COLLAR	1
8	P036800010	CIRCLIP	1
9	P199266180	WASHER	1
10	P140036120	VALVE	1
11	P052100150	"O" RING	1
12	P140186010	KIT - repair	1

THROTTLE CONTROL

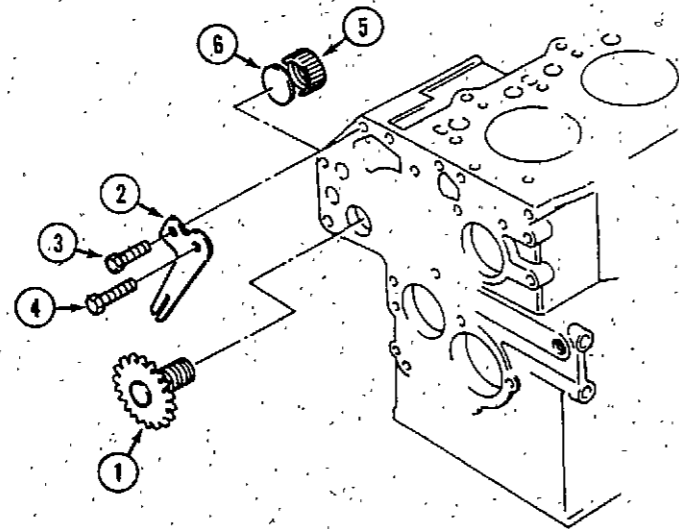
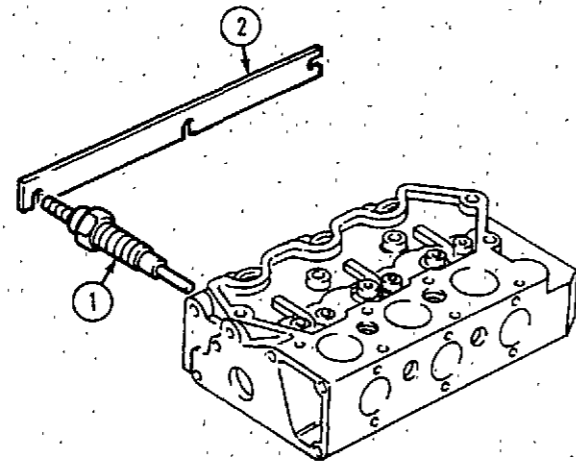
1	C	43177	THROTTLE	1
2	C	35291	KNOB - throttle	1
3	182-	559	SCREW - #10 - 24 x 3/4"	2
4	C	34117	NUT - #10 - 24 flange lock	2
5	C	45339	BRACKET - throttle	1
6	C	34273	CLAMP - casing	1
7	182-	559	SCREW - #10 - 24 x 3/4"	1
8	C	43059	CLEVIS - extension	1
9	C	45478	PIN - clevis 5/16" x 7/8"	1
10	132-	320	PIN - cotter 3/32" x 3/4"	1



LUBRICATION COMPONENTS



REF.	PART NO.	DESCRIPTION	REQ'D
1	P110706860	SUMP	1
2	C 43607	PLUG	1
3	C 43608	WASHER	1
4	P010109235	SCREW	18
5	C 43614	GASKET	1
6	P140986590	PIPE	1
7	P052109076	"O" RING	1
8	P140406310	STRAINER	1
9	P011300612	BOLT	2
10	C 43997	TUBE	1
11	P011300612	BOLT	1
12	C 43999	"O" RING	1
13	C 43207	DIPSTICK	1
14	P111026371	COVER	1
15	C 43615	GASKET	1
16	C 43616	GASKET	1
17	C 43605	CAP	1
18	C 43606	"O" RING	1
19	P024500008	NUT	3
20	P198996060	WASHER	3
21	P011300650	SCREW	2
22	P110666110	PLATE	1
23	P110666120	GAUZE	1
24	P011300612	BOLT	2
25	P068122560	HOSE	1
26	C 43443	FILTER - oil	1
27	P140546020	CONNECTOR	1
28	P140606680	PIPE	1
29	P198486780	BOLT	1
30	P198996060	WASHER	4
31	C 43601	SWITCH - oil pressure	1
32	C 38122	GAGE - pressure, oil	1
33	C 45606	FITTING - 1/8" tube	1
34	222- 681	FITTING - 1/8" x 1/8"	1
35	C 45544	TUBE - 1/8" x 58" copper	1

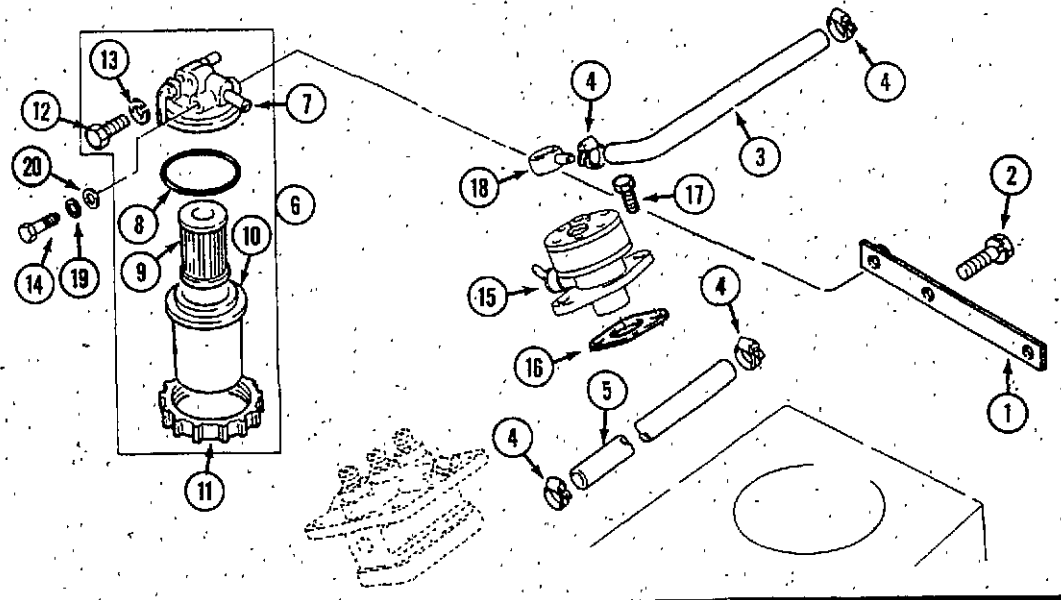


GLOW PLUGS

REF.	PART NO.	DESCRIPTION	REQ'D
1	C 43603	HEATER - glow plugs	3
2	P185376170	BAR	1

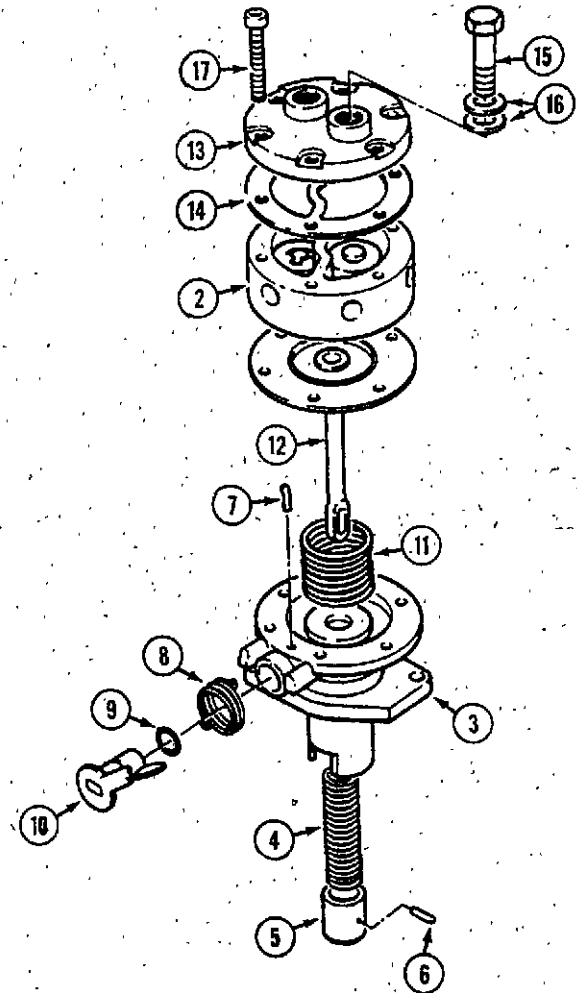
TACHOMETER

1	P120076070	SHAFT	1
2	P199566651	PLATE	1
3	P011310612	SCREW	1
4	P010700610	SCREW	1
5	P199376230	CAP	1
6	P120996060	SEAL	1



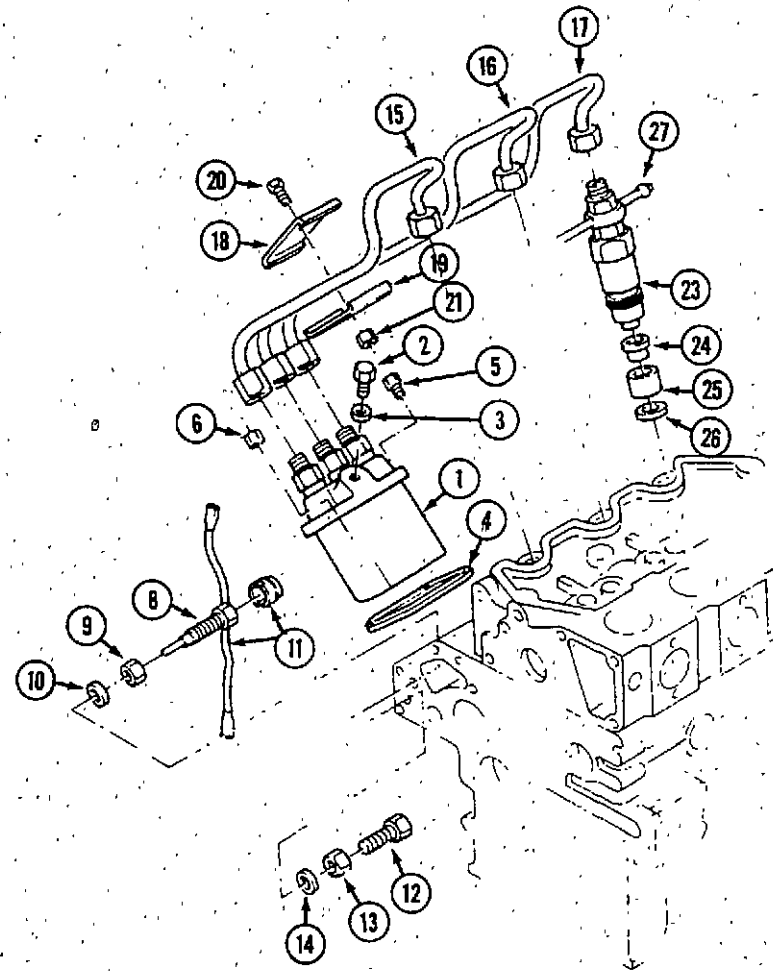
FUEL SYSTEM (ENGINE)

REF.	PART NO.	DESCRIPTION	REQ'D
1	C 45468	BRACKET - fuel filter mounting	1
2	P011310816	SCREW	2
3	C 45470	HOSE - fuel (pump to filter) 5.5'	1
4	P198346020	CLAMP - hose	4
5	C 42988	HOSE - filter to injection pump	1
6	P130306041	FILTER ASSEMBLY - fuel	1
7	NSS	HEAD	1
8	C 43597	"O" RING	1
9	C 43444	ELEMENT - fuel filter	1
10	P130336031	CONTAINER	1
11	P130446090	RING	1
12	P130446080	PLUG	2
13	P130326120	WASHER	2
14	113- 111	BOLT - 5/16" - 18 x 2-1/2"	1
15	C 43604	PUMP - fuel (repairs below)	1
16	P130996070	GASKET	1
17	P011140616	SCREW	2
18	P198486840	CONNECTOR	2
19	192- 20	LOCKWASHER - 5/16"	1
20	195- 521	WASHER - 5/16"	1



FUEL PUMP

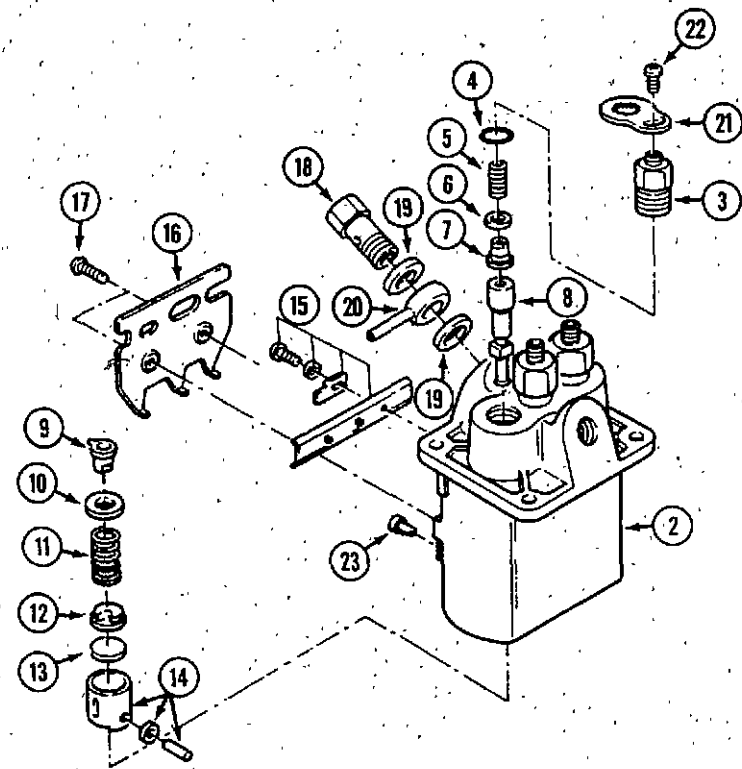
1	C 43604	PUMP - fuel	1
2	NSS	BODY - upper	1
3	P130516080	BODY - lower	1
4	P130516081	SPRING	1
5	P130516082	PLUNGER	1
6	P130516085	PIN	1
7	P130516088	PIN	1
8	P130516083	SPRING	1
9	P131226180	"O" RING	1
10	P130516086	LEVER	1
11	P130516087	SPRING	1
12	P130516084	DIAPHRAGM	1
13	P130516090	CAP	1
14	P130516089	GASKET	1
15	P130516092	BOLT	2
16	P130516069	WASHER	4
17	P130516091	SCREW	6



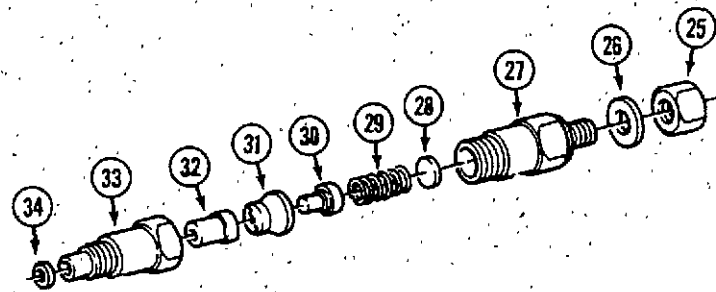
FUEL INJECTION SYSTEM

REF.	PART NO.	DESCRIPTION	REQ'D
1	P131017390	PUMP - injection (repairs page 23)	1
2	P131236280	SCREW	1
3	P025100006	WASHER	1
4	P131437310	SHIM - 0.2mm	UAR
4	P131437320	SHIM - 0.3mm	UAR
4	P131437330	SHIM - 0.4mm	UAR
4	P131437340	SHIM - 0.5mm	UAR
5	P011300620	SCREW	2
6	P023100006	NUT	6
8	P131046160	SCREW	1
9	P023109002	NUT	1
10	P025100010	WASHER	1
11	P198236030	WIRE	1
12	P010109270	SCREW	1
13	P023109002	NUT	1
14	P025100010	WASHER	1
15	P131507010	PIPE - injection (No. 1 cylinder)	1
16	P131507020	PIPE - injection (No. 2 cylinder)	1
17	P131507030	PIPE - injection (No. 3 cylinder)	1
18	P199106020	DAMPER	2
19	P199106020	DAMPER	2
20	P010100625	SCREW	2
21	P023100006	NUT	2
23	P131406340	ATOMIZER - fuel (repairs page 23)	3
24	P131426200	GASKET	3
25	P11-1316280	INSERT	3
26	P198996090	SEAL	3
27	P131606260	PIPE	1

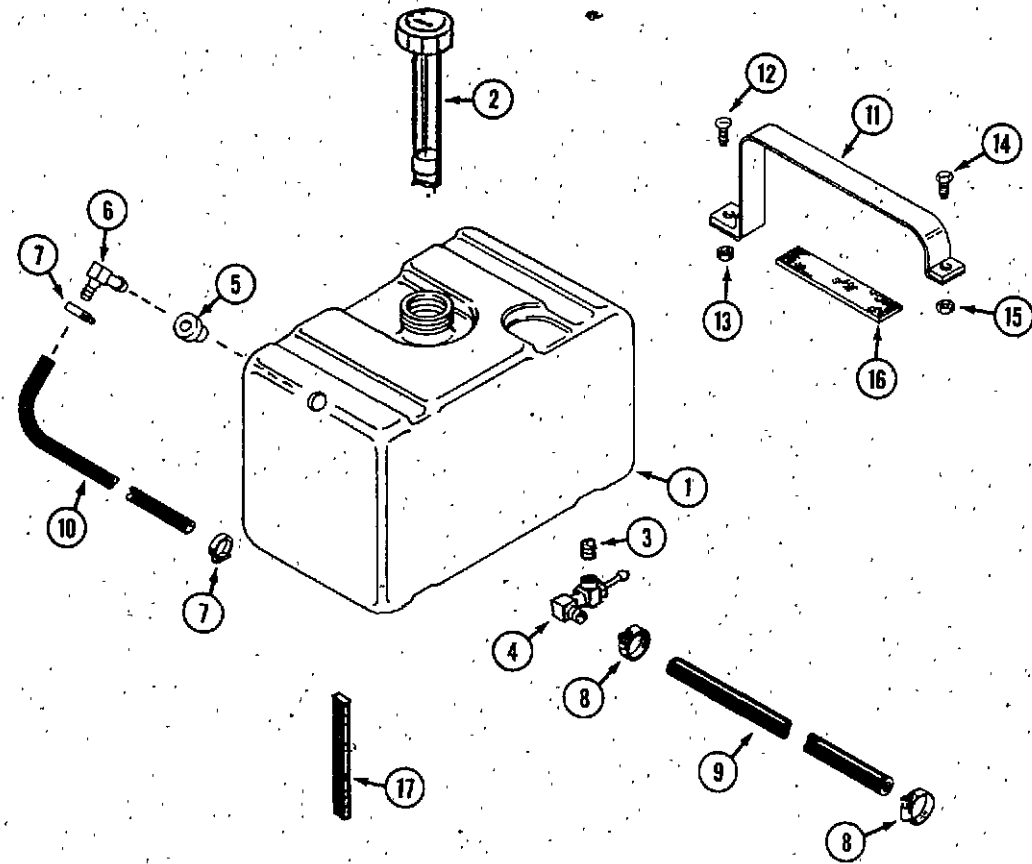
FUEL INJECTION PUMP



REF.	PART NO.	DESCRIPTION	REQ'D
	P131017390	PUMP - fuel injection	1
2	P131296665	HOUSING	1
3	P131196130	HOLDER	3
4	P131226170	"O" RING	3
5	P131176430	SPRING	3
6	P131186050	GASKET	3
7	P131156160	VALVE	3
8	P131116410	ELEMENT	3
9	P131296951	SLEEVE	3
10	P131296620	SEAT	3
11	P131176440	SPRING	3
12	P131296621	SEAT	3
13	P131296622	PLATE - shim 1.85mm	UAR
13	P131296623	PLATE - shim 1.90mm	UAR
13	P131296624	PLATE - shim 1.95mm	UAR
13	P131296625	PLATE - shim 2.00mm	UAR
13	P131296626	PLATE - shim 2.05mm	UAR
13	P131296627	PLATE - shim 2.10mm	UAR
13	P131296628	PLATE - shim 2.15mm	UAR
13	P131296629	PLATE - shim 2.20mm	UAR
13	P131296630	PLATE - shim 2.25mm	UAR
13	P131296631	PLATE - shim 2.30mm	UAR
13	P131296632	PLATE - shim 2.35mm	UAR
13	P131296633	PLATE - shim 2.40mm	UAR
13	P131296634	PLATE - shim 2.45mm	UAR
13	P131296635	PLATE - shim 2.50mm	UAR
14	P131256120	TAPPET	3
15	P131296636	RACK	1
16	P131296650	BRACKET	1
17	P131136320	SCREW	2
18	P131236190	BOLT	1
19	P131426180	WASHER	2
20	P131246130	NIPPLE	1
21	P131296662	PLATE	3
22	P131136330	SCREW	3
23	P131296651	PIN	3



REF.	PART NO.	DESCRIPTION	REQ'D
	P131406340	ATOMIZER	3
25	P131446069	NUT	1
26	P131426210	WASHER	1
27	P131446065	BODY	1
28	P131437250	SHIM - 0.90mm	UAR
28	P131437251	SHIM - 0.925mm	UAR
28	P131437252	SHIM - 0.95mm	UAR
28	P131437253	SHIM - 0.975mm	UAR
28	P131437254	SHIM - 1.00mm	UAR
28	P131437255	SHIM - 1.025mm	UAR
28	P131437256	SHIM - 1.05mm	UAR
28	P131437257	SHIM - 1.075mm	UAR
28	P131437258	SHIM - 1.10mm	UAR
28	P131437259	SHIM - 1.125mm	UAR
28	P131437260	SHIM - 1.15mm	UAR
28	P131437261	SHIM - 1.175mm	UAR
28	P131437262	SHIM - 1.20mm	UAR
28	P131437263	SHIM - 1.225mm	UAR
28	P131437264	SHIM - 1.250mm	UAR
28	P131437265	SHIM - 1.275mm	UAR
28	P131437266	SHIM - 1.30mm	UAR
28	P131437267	SHIM - 1.325mm	UAR
28	P131437268	SHIM - 1.35mm	UAR
28	P131437269	SHIM - 1.375mm	UAR
28	P131437270	SHIM - 1.40mm	UAR
28	P131437271	SHIM - 1.425mm	UAR
28	P131437272	SHIM - 1.45mm	UAR
29	P131446066	SPRING	1
30	P131446070	PIN	1
31	P131446068	SPACER	1
32	P131416150	NOZZLE	1
33	P131446067	NUT	1

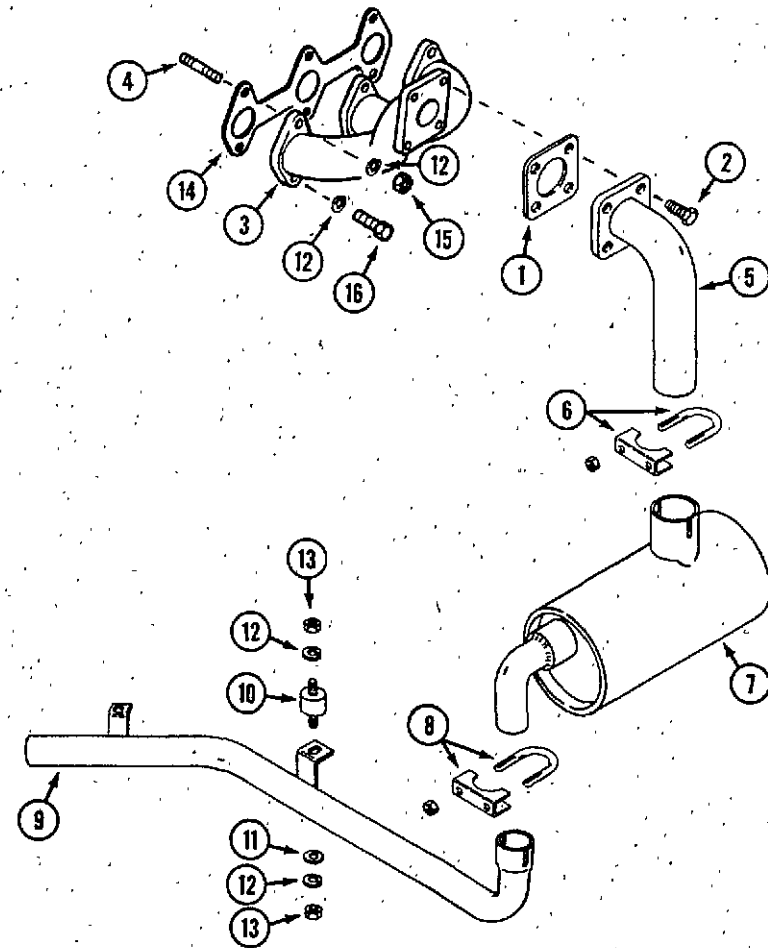


FUEL SYSTEM (TRACTOR)

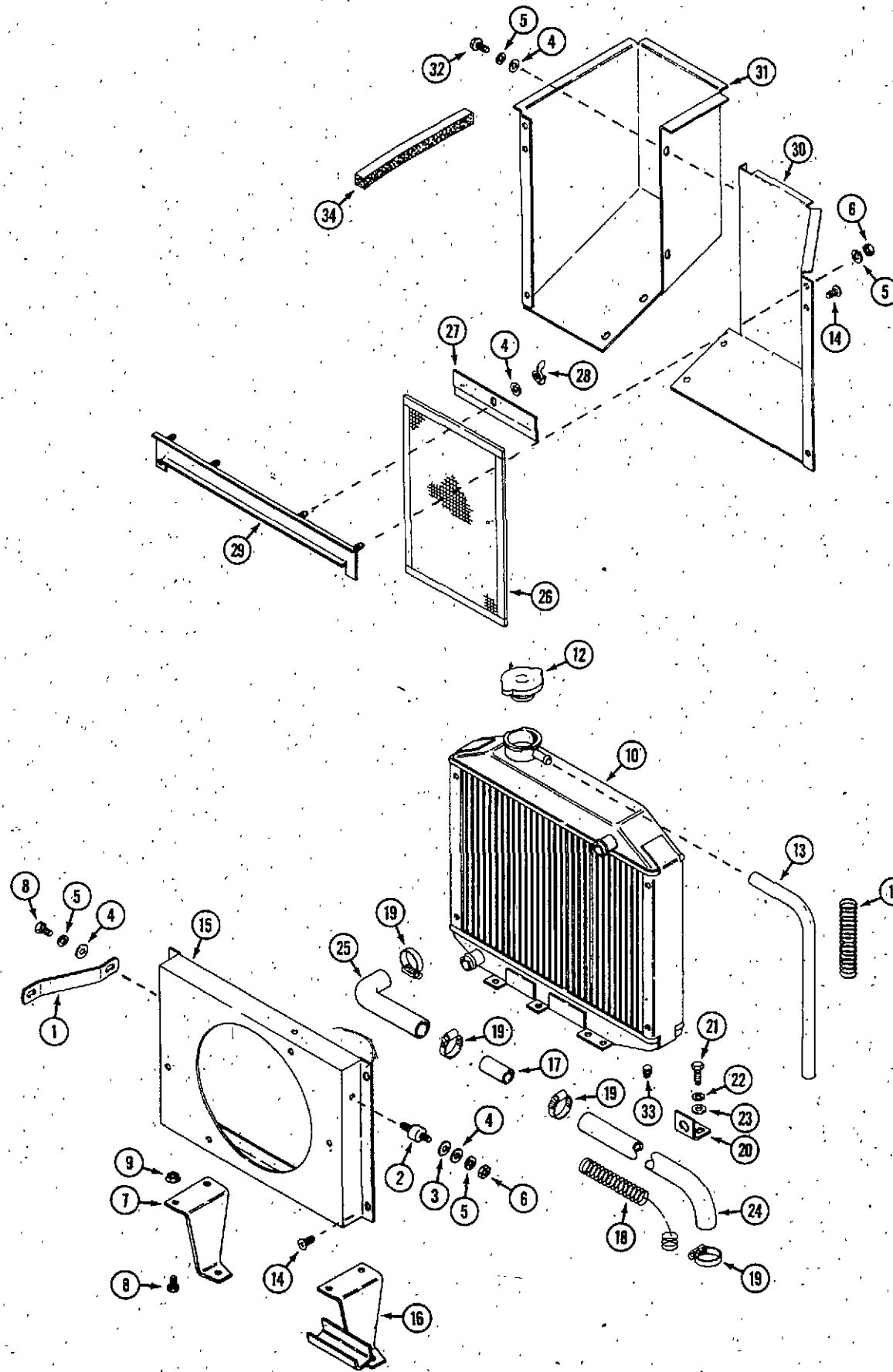
REF.	PART NO.	DESCRIPTION	REQ'D
1	C 45312	TANK - fuel	1
2	C 45334	CAP - fuel gauge	1
3	221- 1101	NIPPLE - pipe 1/8"	1
4	C 37811	FITTING - valve 1/8" x 90°	1
5	C 43052	GROMMET - tank	1
6	C 43053	FITTING - return 90°	1
7	214- 274	CLAMP - hose #4	2
8	214- 103	CLAMP - hose #8	2
9	C 43270	HOSE - fuel 1/4" x 45"	1
10	C 43271	HOSE - return 3/16" x 51"	1
11	C 45313	STRAP - fuel tank	2
12	113- 103	BOLT - 5/16" - 18 x 1"	2
13	131- 69	NUT - 5/16" - 18 lock	2
14	113- 3	BOLT - 1/4" - 20 x 3/4"	2
15	131- 71	NUT - 1/4" - 20 lock	2
16	C 34189	CUSHION	4
17	C 44584	FOAM - tank cushion	1

EXHAUST SYSTEM

1	C 42833	GASKET - exhaust	1
2	C 42834	BOLT - M8 - 1.25 x 25	4
3	C 45769	MANIFOLD - exhaust	1
4	C 45770	STUD - manifold	3
5	C 43135	PIPE - engine to muffler	1
6	C 42055	CLAMP - muffler 1-3/4"	1
7	C 45461	MUFFLER ASSEMBLY	1
8	C 31417	CLAMP - muffler 1-3/8"	1
9	C 45444	PIPE - exhaust	1
10	C 43012	MOUNT - rubber	1
11	195- 518	WASHER - 1/4"	2
12	192- 19	LOCKWASHER - 1/4"	10
13	129- 101	NUT - 1/4" - 20	4
14	C 43988	GASKET - manifold	1
15	825- 1106	NUT - M6 - 1.0	3
16	814- 6025	BOLT - M6 - 1.0 x 25	3

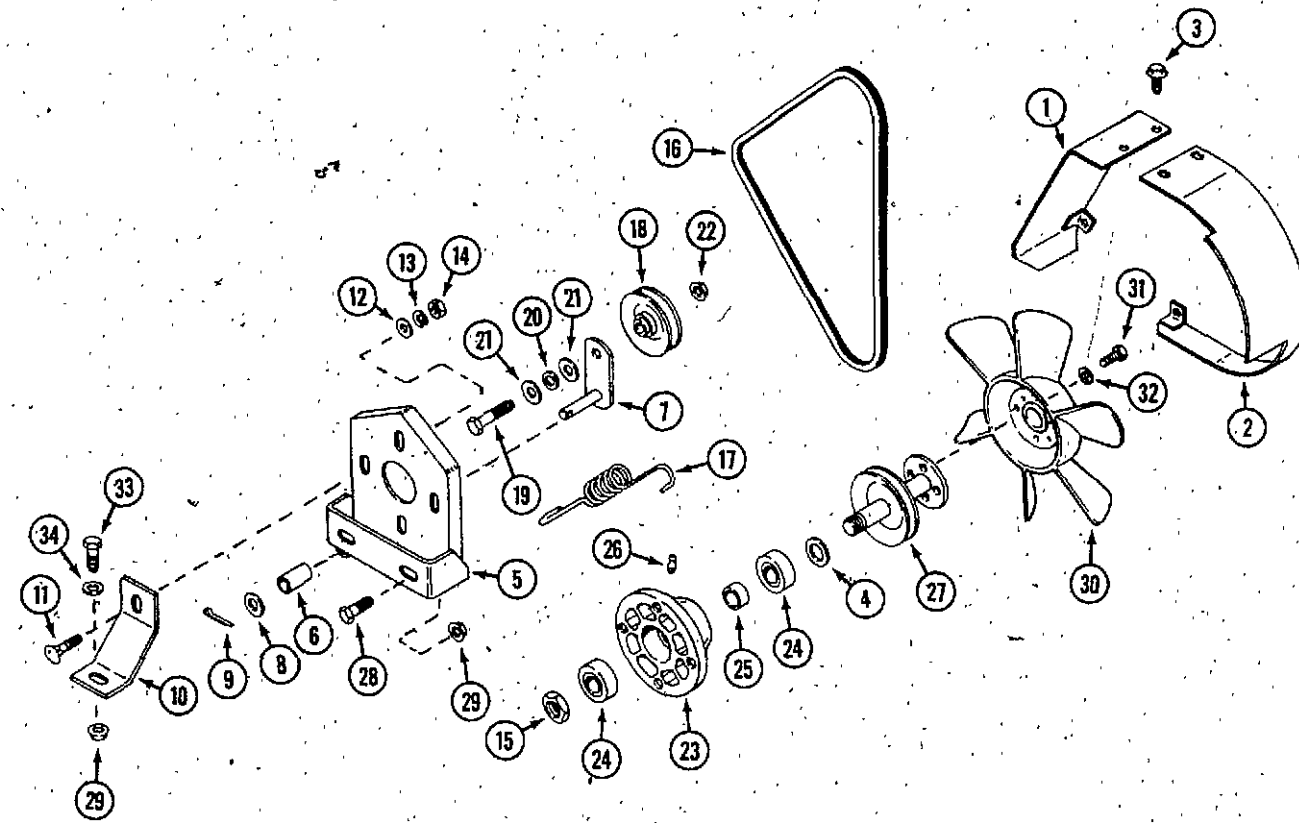


RADIATOR AND SHROUD



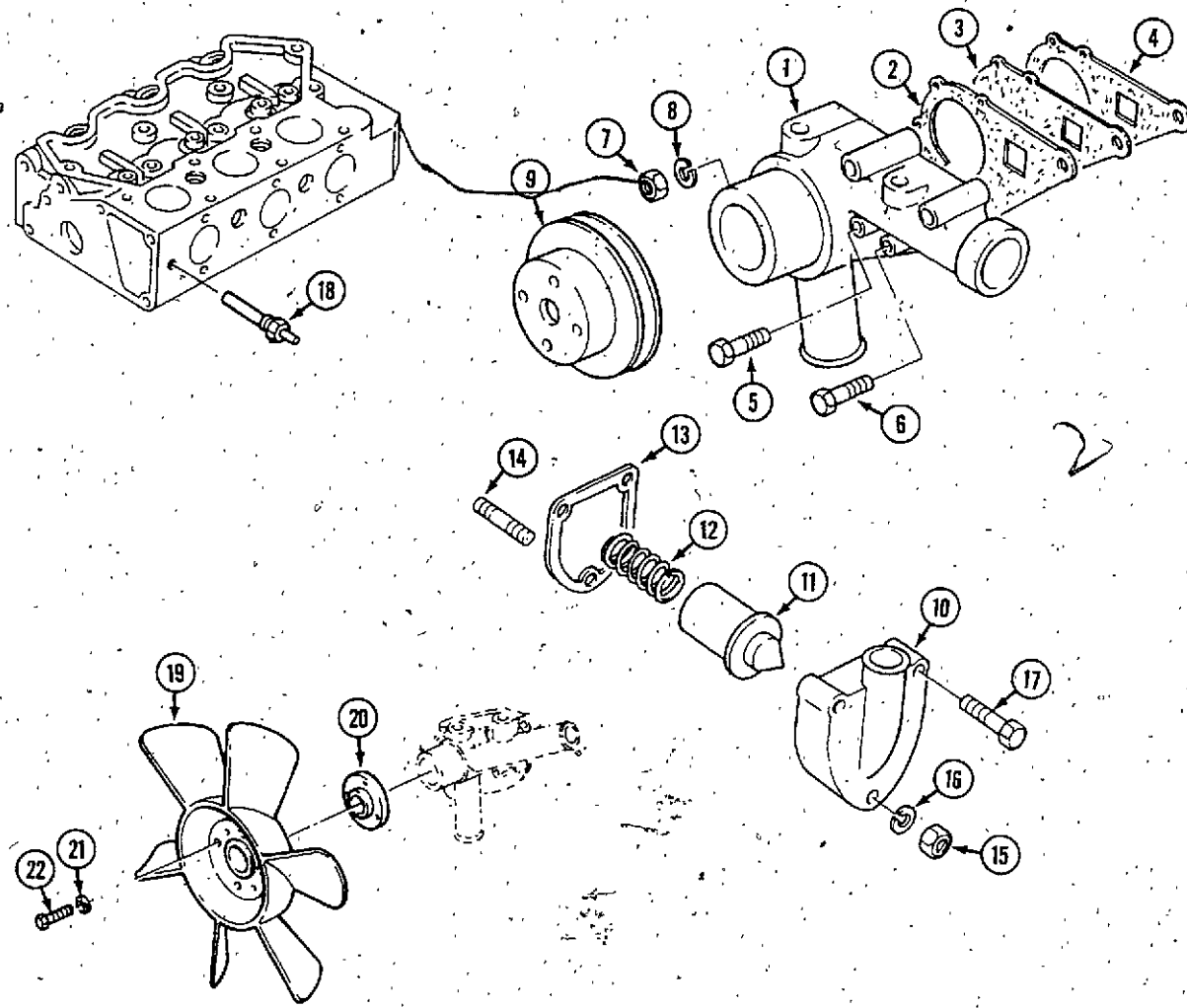
REF.	PART NO.	DESCRIPTION	REQ'D
1	C 45310	STRAP - radiator mount	1
2	C 43012	MOUNT - rubber	3
3	C 37704	WASHER - .33" x .69"	1
4	195- 518	WASHER - 1/4"	7
5	192- 19	LOCKWASHER - 1/4"	9
6	129- 101	NUT - 1/4"	5
7	C 45206	BRACKET - radiator - support, rear	1
8	113- 1	BOLT - 1/4" - 20 x 1/2"	4
9	131- 934	NUT - 1/4" - 20 flange lock	4
10	C 43211	RADIATOR	1
11	C 45633	SPRING - hose liner	1
12	C 43009	CAP - radiator	1
13	C 43011	HOSE - overflow	1
14	C 33576	SCREW - 1/4" - 20 x 5/16"	5
15	C 45308	SHROUD - fan	1
16	C 45464	BRACKET - radiator support, front	1
17	C 43367	TUBE - .88" x 2"	2
18	C 44567	SPRING - hose liner	2
19	214- 255	CLAMP - hose #16	9
19	214- 256	CLAMP - hose #20	2
20	C 45311	BRACKET - hose support, upper	1
20	C 44604	BRACKET - hose support, lower	1
21	814- 8016	BOLT - M8 - 1.25 x 16	3
22	192- 20	LOCKWASHER - 5/16"	3
23	195- 102	WASHER - .312" x .75"	2
24	C 43368	HOSE - .88" x 13.5" top engine	1
24	C 43369	HOSE - .88 x 32" lower engine	1
25	C 33551	HOSE - 90°	2
26	C 45447	SCREEN - radiator	2
27	C 45450	BRACKET - screen mounting	2
28	129- 409	NUT - wing 1/4" - 20	2
29	C 45451	RAIL - upper, screen mounting	1
30	C 45453	DUCT - air, front	1
31	C 45457	DUCT - air, rear	1
32	187- 1036	SCREW - 1/4" - 20 x 1/2" flange	4
33	C 43010	PLUG - drain (included with radiator)	1
34	C 42772	SEAL - air intake 13.2"	1

RADIATOR FAN ASSEMBLY



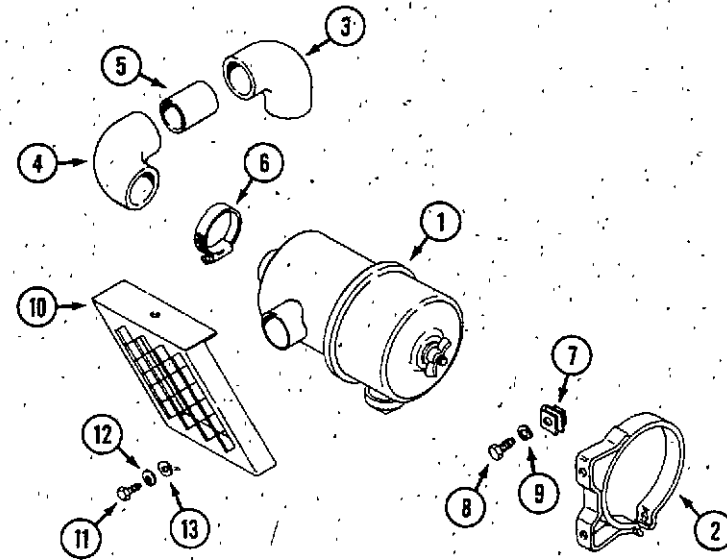
REF.	PART NO.	DESCRIPTION	REQ'D
1	C 45436	COWLING - fan, rear	1
2	C 45439	COWLING - fan, front	1
3	187- 1036	SCREW - 1/4" - 20 x 1/2" flange	6
4	C 12975	WASHER - 3/4" - 1-1/8"	1
5	C 45419	BRACKET - fan mounting	1
6	C 16714	BUSHING - 1/2"	1
7	C 45230	ARM - idler	1
8	195- 2067	WASHER - 1/2" x 7/8"	1
9	132- 320	PIN - cotter 3/32" x 3/4"	1
10	C 45205	BRACE - fan mount	2
11	111- 256	BOLT - 5/16" - 18 x 1-1/4" carriage	4
12	195- 521	WASHER - .344" x .688"	4
13	192- 20	LOCKWASHER - 5/16"	4
14	129- 102	NUT - 5/16" - 18	4
15	131- 1331	NUT - 3/4" - 16 lock	1
16	C 45412	BELT - 3L x 36"	1
17	C 45413	SPRING - tension	1
18	C 45338	PULLEY - idler	1
19	113- 233	BOLT - 3/8" - 16 x 1-3/4"	1
20	C 30155	WASHER - .39" x .625"	1
21	195- 525	WASHER - .40" x .81"	2
22	131- 1352	NUT - 3/8" - 16 flange lock	1
23	C 45414	HOUSING ASSEMBLY	1
24	C 28971	BEARING - ball 3/4"	2
25	C 43208	SPACER - bearing	1
26	219- 20	FITTING - 1/4" - 28 lubrication	1
27	C 45415	SPINDLE - fan mounting	1
28	113- 104	BOLT - 5/16" - 18 x 1-1/4"	2
29	131- 911	NUT - 5/16" - 18 flange lock	4
30	C 42984	FAN - 11"	1
31	131- 1	BOLT - 1/4" - 20 x 1/2"	4
32	192- 19	LOCKWASHER - 1/4"	4
33	113- 103	BOLT - 5/16" - 18 x 1"	2
34	195- 103	WASHER - .375" x .875"	2

WATER PUMP, THERMOSTAT, TEMPERATURE SENDER



REF.	PART NO.	DESCRIPTION	REQ'D
1	P145016840	PUMP - water	1
2	C 43617	GASKET	1
3	C 43618	BACKPLATE	1
4	C 43619	GASKET	1
5	P011300635	SCREW	3
6	P011300650	SCREW	4
7	P023100006	NUT	1
8	P027100006	WASHER	1
9	P145336490	PULLEY	1
10	P145216161	HOUSING	1
11	C 43598	THERMOSTAT	1
12	C 43599	SPRING	1
13	C 43600	GASKET	1
14	P012100650	STUD	1
15	P023100006	NUT	1
16	P027100006	WASHER	1
17	P011300650	SCREW	2
18	C 43602	SENDER - temperature	1
19	C 45491	FAN	1
20	C 42986	SPACER - fan	1
21	192- 19	LOCKWASHER - 1/4"	4
22	814- 6045	SCREW - M6 - 1.0 x 45	4

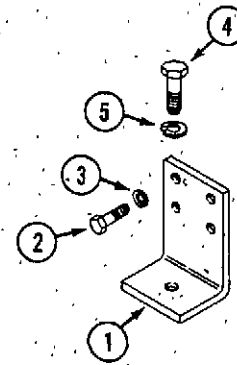
AIR CLEANER

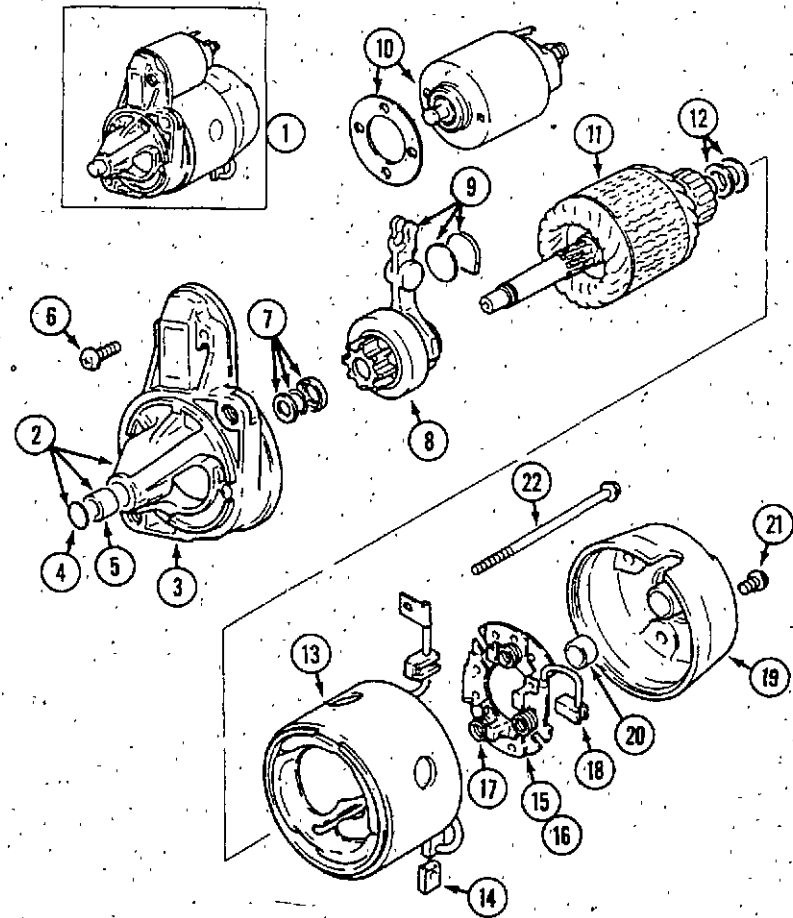
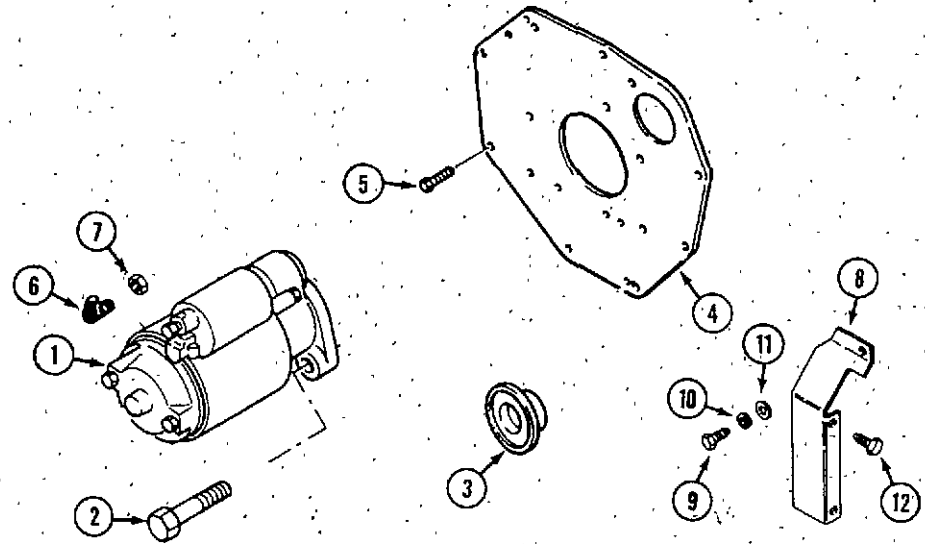


REF.	PART NO.	DESCRIPTION	REQ'D
1	C 43030	AIR CLEANER ASSEMBLY	1
	C 43445	ELEMENT - air cleaner	1
	C 43594	WING NUT - element	1
	C 43595	WING NUT - cup	1
	C 43596	WASHER - cup	1
2	C 43033	BRACKET - air cleaner	1
3	C 45305	HOSE - engine	1
4	C 45340	HOSE - air cleaner	1
5	C 43366	TUBE - air	1
6	214- 258	CLAMP - hose	4
7	C 31973	NUT - "J" 1/4" - 20	2
8	113- 2	BOLT - 1/4" - 20 x 5/8"	2
9	192- 19	LOCKWASHER - 1/4"	2
10	C 45306	INTAKE - air	1
11	113- 1	BOLT - 1/4" - 20 x 1/2"	2
12	192- 19	LOCKWASHER - 1/4"	2
13	195- 518	WASHER - 1/4"	1

ENGINE MOUNTS

1	C 45303	BRACKET - engine mount	2
2	814- 10025	BOLT - M10 x 1.5 x 25	16
3	192- 22	LOCKWASHER - 7/16"	16
4	113- 1	BOLT - 1/2" - 13 x 1-1/4"	4
5	192- 23	LOCKWASHER - 1/2"	4



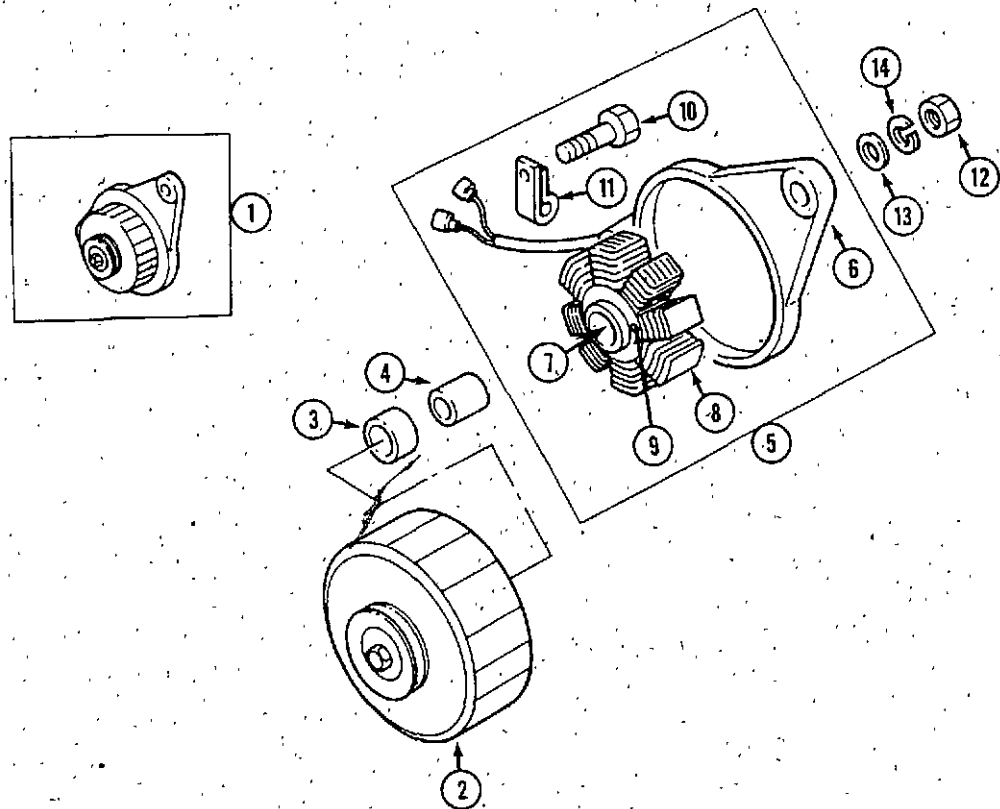
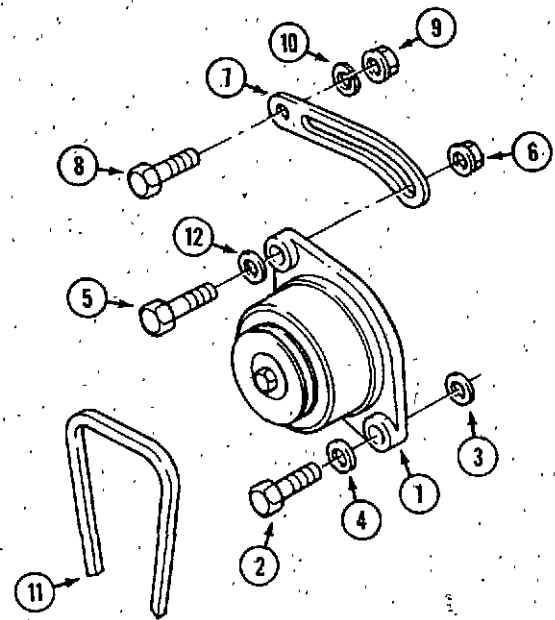


STARTER, PLATE AND FLYWHEEL SHIELD

REF.	PART NO.	DESCRIPTION	REQ'D.
1	C 43609	STARTER - repairs below	1
2	P011601020	SCREW	2
3	P198636080	SEAL - rear	1
4	P110366700	PLATE	1
5	P011310816	SCREW	10
6	C 44079	INSULATOR - terminal	1
7	C 42835	NUT - M8	1
8	C 43307	SHIELD - flywheel R.H.	1
9	814- 8016	BOLT - M8 - 1.25	1
10	192- 20	LOCKWASHER - 5/16"	1
11	195- 102	WASHER - 5/16" x 3/4"	1
12	121- 21	BOLT - 1/4" - 20 x 1/2" flange lock	2

STARTER ASSEMBLY

1	C 43609	STARTER	1
2	P185846471	COVER ASSEMBLY	1
3	NSS	COVER	1
4	NSS	RING	1
5	P185846472	BUSHING	1
6	P185846468	SCREW	2
7	P185846473	WASHER	1
8	P185866240	PINION	1
9	P185846469	LEVER	1
10	P185816220	SWITCH	1
11	P185846474	ARMATURE	1
12	P185846475	WASHER	1
13	P185846476	YOKE	1
14	P185416400	BRUSH	1
15	P185416390	HOLDER ASSEMBLY	1
16	NSS	HOLDER	1
17	P185886010	SPRING	1
18	P185416410	BRUSH	1
19	P185846477	COVER	1
20	P185846478	BUSHING	1
21	P185846468	SCREW	3
22	P185846470	SCREW	2

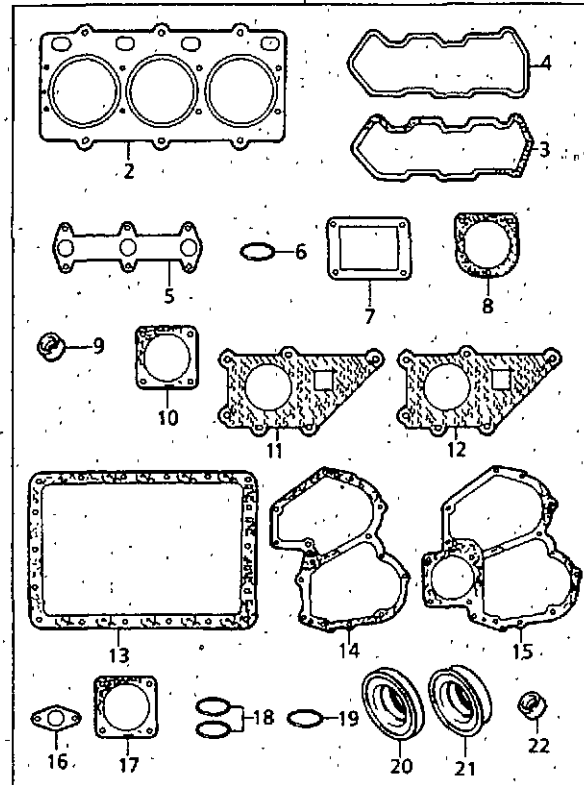


ALTERNATOR AND BELT

REF.	PART NO.	DESCRIPTION	REQ'D
1	C 43610	ALTERNATOR - see below for service	1
2	P010110850	SCREW	1
3	P026109011	WASHER	1
4	P026200008	WASHER	1
5	P012800840	SCREW	1
6	P023100008	NUT	1
7	P185726431	LEVER	1
8	P011300816	SCREW	1
9	P023100008	NUT	1
10	P027100008	WASHER	1
11	P080109048	BELT	1
12	P026109017	WASHER	1

ALTERNATOR ASSEMBLY

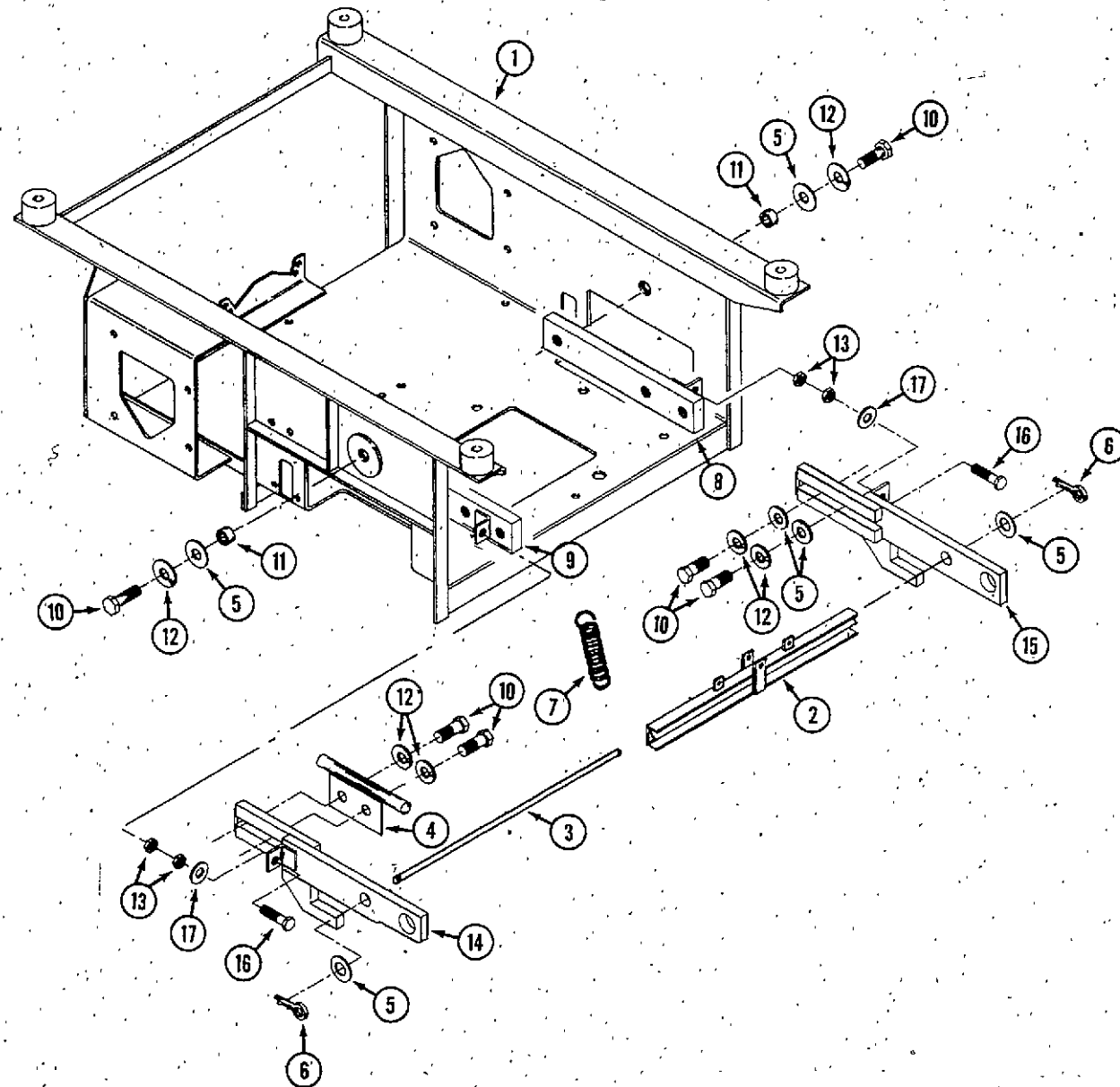
1	C 43610	ALTERNATOR	1
2	P185446219	PULLEY	1
3	P040126201	BEARING	1
4	P199236510	COLLAR	1
5	P185446217	PLATE ASSEMBLY	1
6	P185716200	PLATE	1
7	P040126201	BEARING	1
8	P185446218	STATOR	1
9	P015140425	SCREW	2
10	P015140408	SCREW	1
11	P185446220	CLIP	5
12	P020210010	NUT	1
13	P026100010	WASHER	1
14	P027100010	WASHER	1



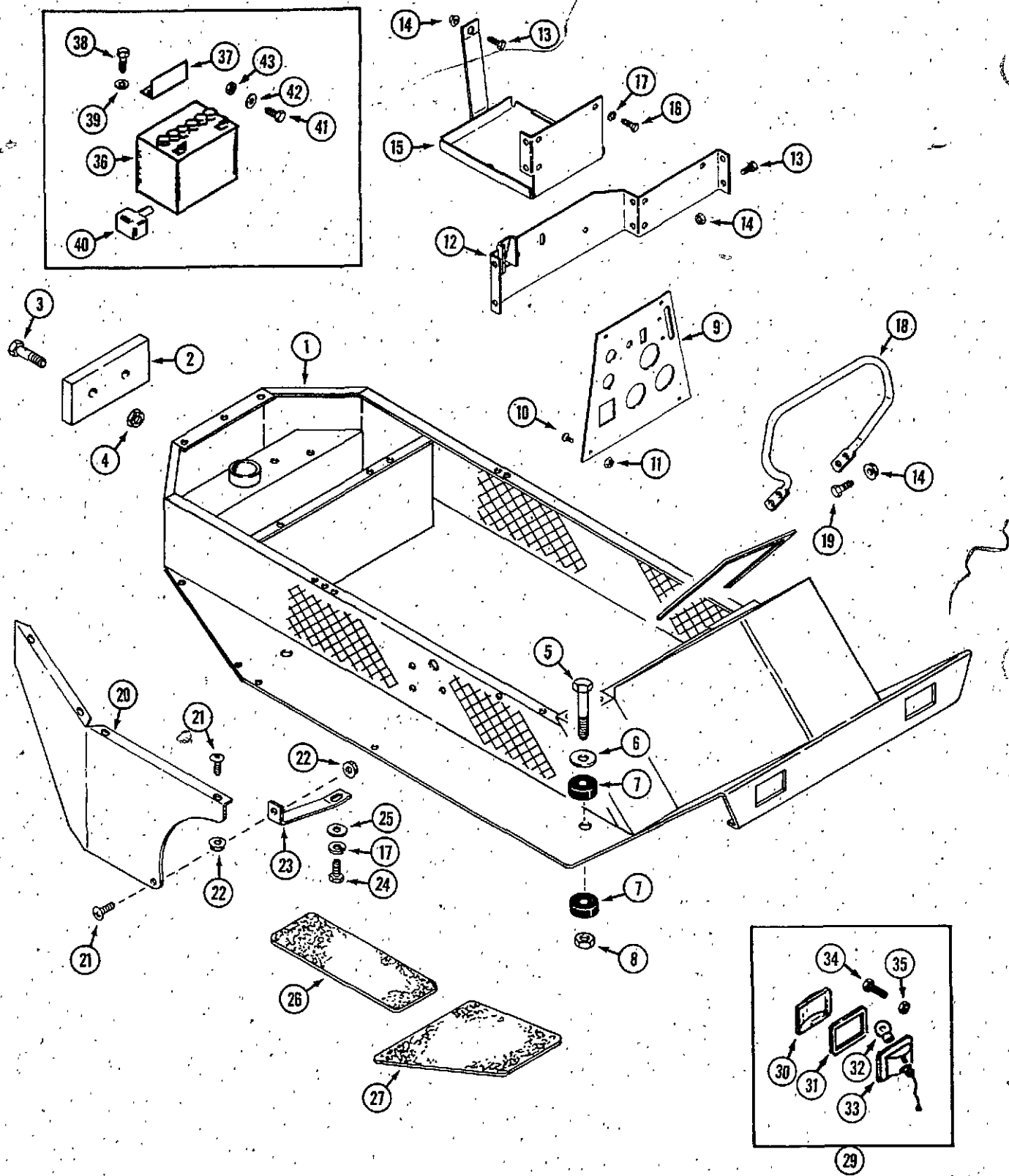
GASKET KIT

REF.	PART NO.	DESCRIPTION	REQ'D
1	P195906840	KIT - gasket, complete	1
2	P111147390	GASKET - head	1
3	C 43615	GASKET - cover	1
4	C 43616	GASKET - cover	1
5	C 43988	GASKET - exhaust	1
6	C 43606	"O" RING - cap	1
7	P130996070	GASKET - fuel pump	1
8	C 43600	GASKET - thermostat	1
9	P120406080	SEAL - valve stem	3
10	P314990013	GASKET - (not used)	1
11	C 43619	GASKET - water pump	1
12	C 43617	GASKET - water pump	1
13	C 43614	GASKET - sump, oil	1
14	C 43612	GASKET - case	1
15	C 43613	GASKET - plate	1
16	P130996070	GASKET - fuel pump	1
17	P165996420	GASKET - plate	1
18	C 43999	"O" RING - oil tube	2
19	P052109076	"O" RING - oil pipe	1
20	P198636090	SEAL - case	1
21	P198636080	SEAL - plate, rear	1
22	P131426200	GASKET - atomizer	3

BASE AND LIFT ARMS

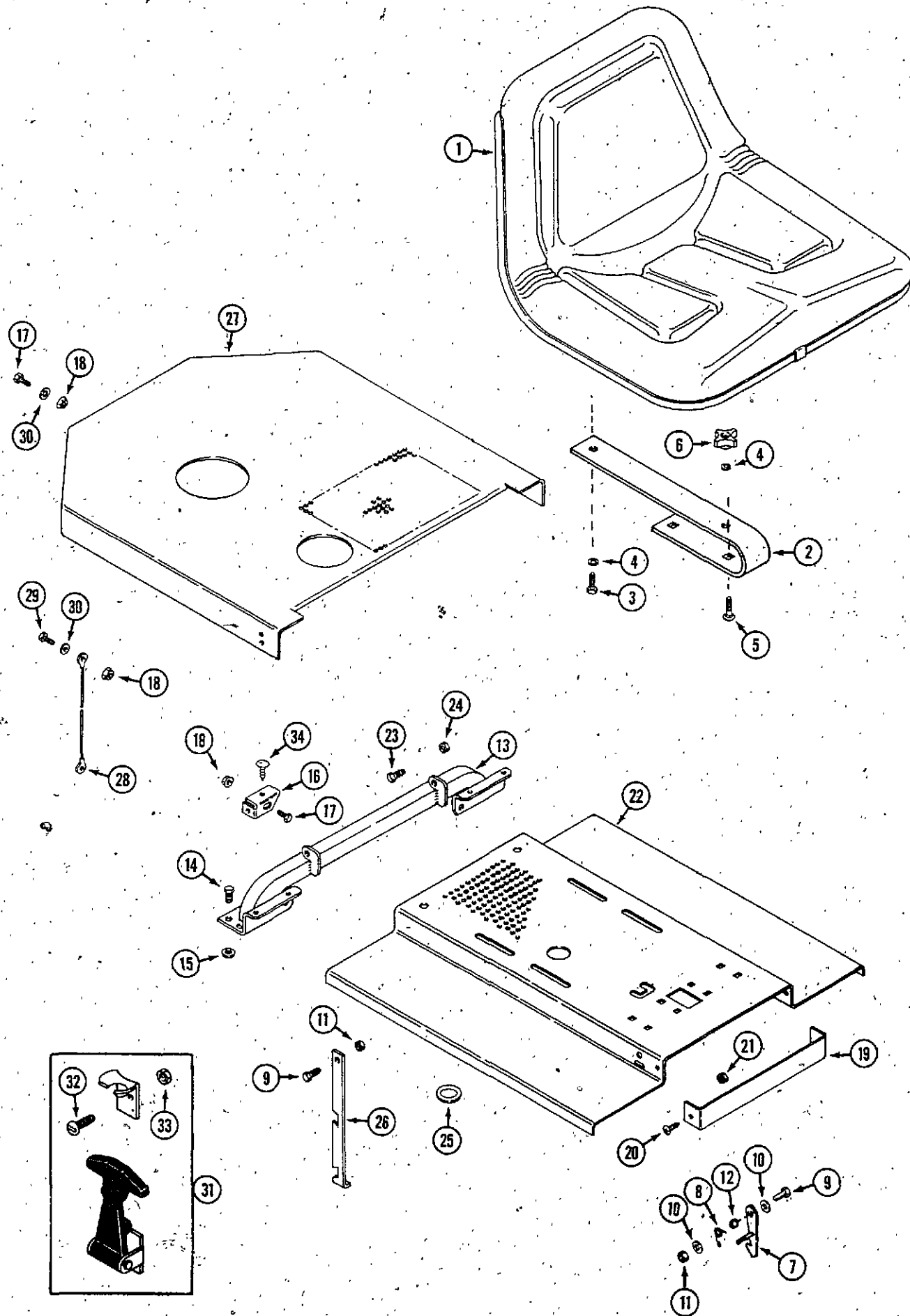


REF.	PART NO.	DESCRIPTION	REQ'D.
1	C 45207	BASE	1
2	C 37600	BAR - lift	1
3	C 37578	PIN - lift bar	1
4	C 37577	TUBE - wire	1
5	195- 106	WASHER - .56" x 1.38"	6
6	132- 310	PIN - cotter	2
7	C 37815	SPRING - deck lift	2
8	C 38996	ARM - deck lift, rear L.H.	1
9	C 39006	ARM - deck lift, rear R.H.	1
10	113- 417	BOLT - 1/2" - 13 x 1-1/4"	6
11	C 37576	BUSHING - .38"	2
12	192- 23	LOCKWASHER - 1/2"	6
13	129- 103	NUT - 3/8" - 16	4
14	C 37573	ARM - deck lift, front R.H.	1
15	C 37574	ARM - deck lift, front, L.H.	1
16	113- 241	BOLT - 3/8" - 16 x 3"	2
17	195- 104	WASHER - 3/8"	2

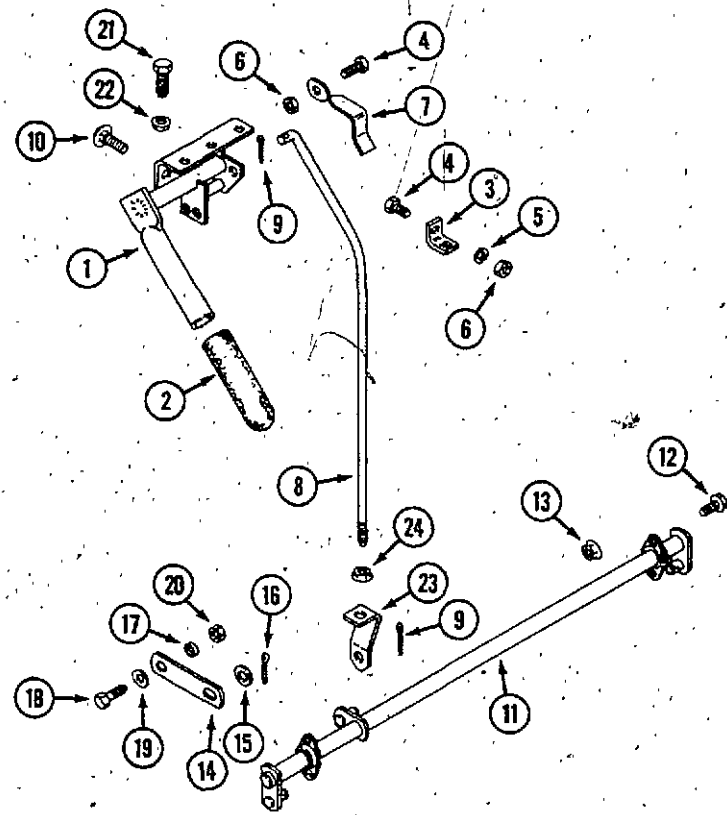


BODY AND ATTACHING PARTS

REF.	PART NO.	DESCRIPTION	REQ'D
1	C 45252	BODY	1
2	C 45299	PLATE - weight	4
3	113- 248	BOLT - 3/8" - 16 x 2-3/4"	4
4	131- 1352	NUT - 3/8" - 16 flange lock	4
5	113- 429	BOLT - 1/2" - 13 x 5"	4
6	C 37581	WASHER - 1/2" x 2"	4
7	C 37818	MOUNT - rubber, body	8
8	131- 70	NUT - 1/2" - 13 lock	4
9	C 45164	PANEL - instrument	1
10	182- 573	SCREW - #10 - 24 x 1/2"	4
11	C 34117	NUT - #10 - 24 flange lock	2
12	C 45354	CROSSMEMBER - body	1
13	113- 118	BOLT - 5/16" - 18 x 5/8"	5
14	131- 911	NUT - 5/16" - 18 flange lock	9
15	C 45349	TRAY - battery	1
16	113- 101	BOLT - 5/16" - 18 x 1/2"	5
17	192- 20	LOCKWASHER - 5/16"	7
18	C 44844	RAIL - guard	1
19	113- 102	BOLT - 5/16" - 18 x 3/4"	4
20	C 45346	SKIRT - fender L.H.	1
20	C 45347	SKIRT - fender R.H. (shown)	1
21	182- 547	SCREW - 1/4" - 20 x 1/2"	10
22	131- 934	NUT - 1/4" - 20 flange lock	10
23	C 45348	BRACE - fender	2
24	113- 103	BOLT - 5/16" - 18 x 1"	2
25	195- 103	WASHER - 3/8" x 7/8"	2
26	C 43382	PAD - footrest, side	2
27	C 43419	PAD - foot, front L.H.	1
27	C 43420	PAD - foot, front R.H. (shown)	1
28	C 44035	TRIM - instrument panel	1
29	C 32178	HEADLIGHT	2
30	C 22573	LENS	1
31	C 14304	GASKET	1
32	C 28932	BULB	1
33	NSS	REFLECTOR	1
34	113- 4	BOLT - 1/4" - 20 x 1"	2
35	129- 101	NUT - 1/4" - 20	2
36	C 44071	BATTERY - 12V, 450 CCA	1
37	C 44004	RETAINER - battery	1
38	113- 17	BOLT - 1/4" - 20 x 1-1/4"	1
39	195- 518	WASHER - .28" x .62"	1
40	C 43046	INSULATOR - post	1
41	113- 3	BOLT - 1/4" - 20 x 3/4"	2
42	195- 102	WASHER - 1/4"	2
43	131- 71	NUT - 1/4" - 20 lock	2

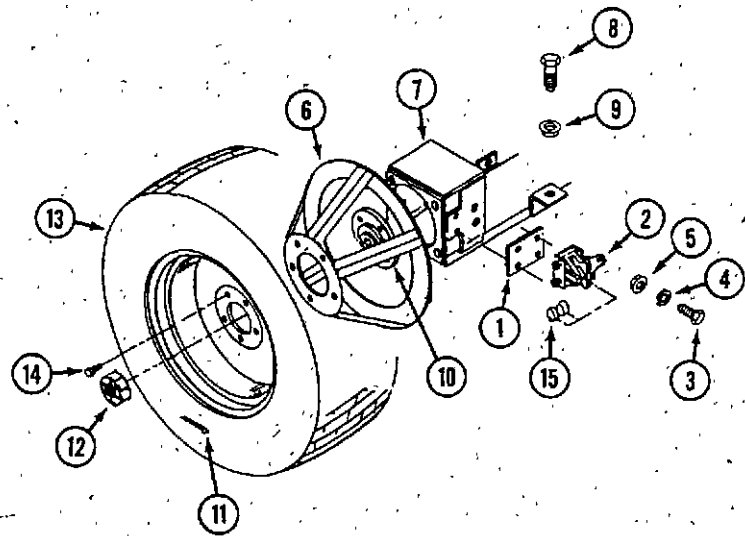


REF.	PART NO.	DESCRIPTION	REQ'D
1	C 43202	SEAT	1
2	C 43137	SPRING - seat	2
3	113- 102	BOLT - 5/16" - 18 x 3/4"	4
4	192- 20	LOCKWASHER - 5/16"	8
5	111- 204	BOLT - carriage 5/16" - 18 x 1-1/4"	4
6	C 43438	KNOB - seat adjust	4
7	C 44481	LATCH - lid	1
8	C 37851	SPRING - latch	1
9	113- 4	BOLT - 1/4" - 20 x 1"	2
10	195- 102	WASHER - 1/4"	2
11	131- 71	NUT - 1/4" - 20 lock	2
12	C 44498	SPACER - latch	1
13	C 45318	TUBE - seat support	1
14	113- 118	BOLT - 5/16" - 18 x 5/8"	4
15	131- 911	NUT - 5/16" - 18 flange lock	4
16	C 45336	BRACKET - retainer R.H. (shown)	1
16	C 45337	BRACKET - retainer L.H.	1
17	113- 1	BOLT - 1/4" - 20 x 1/2"	4
18	131- 934	NUT - 1/4" - 20 flange lock	4
19	C 37826	PLATE - filler	1
20	182- 528	SCREW - #10 - 32 x 1/2"	2
21	193- 1000	NUT - #10 - 32 lock	2
22	C 45352	LID - seat	1
23	113- 103	BOLT - 5/16" - 18 x 1"	2
24	131- 69	NUT - lock	2
25	C 25165	GROMMET - 1" x 1-3/4"	1
26	C 45471	PROP - seat lid	1
27	C 45300	COVER - rear	1
28	C 45472	LANYARD	1
29	113- 3	BOLT - 1/4" - 20 x 3/4"	1
30	195- 518	WASHER - .281" x .625	3
31	C 43326	LATCH - "T" handle	2
32	182- 571	SCREW - #6 - 32 x 1/2"	8
33	193- 1003	NUT - #6 - 32 lock	8
34	C 35067	RETAINER - plastic	12



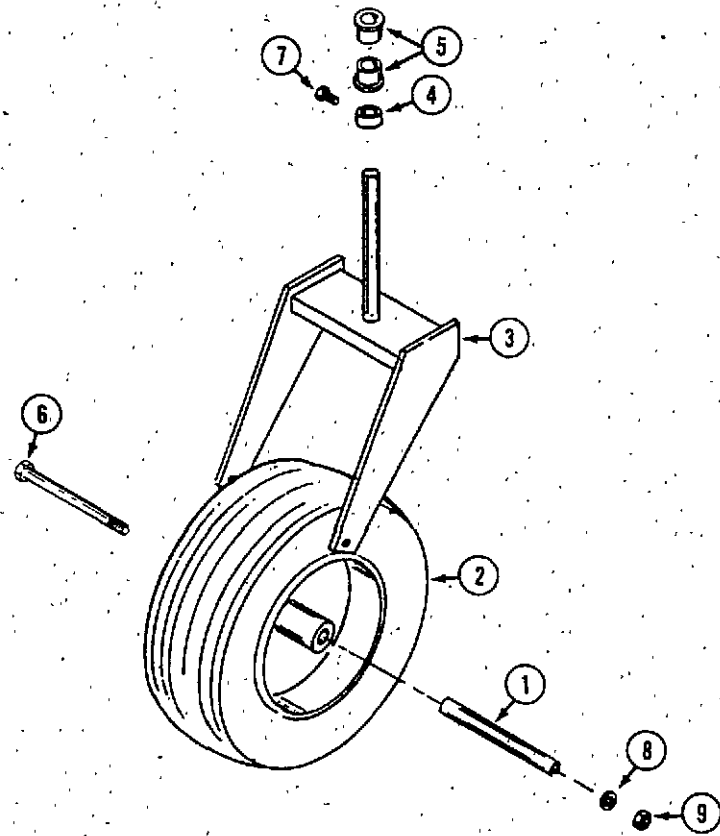
REF.	PART NO.	DESCRIPTION	REQ'D
1	C 45370	LEVER - brake	1
2	C 37631	GRIP - handle	1
3	C 45387	STOP - lever	1
4	113- 3	BOLT - 1/4" - 20 x 3/4"	2
5	192- 19	LOCKWASHER - 1/4"	2
6	129- 101	NUT - 1/4" - 20	3
7	C 45432	ARM - actuator	1
8	C 45375	ROD - brake	1
9	132- 310	PIN - cotter 1/8" x 1"	2
10	111- 111	BOLT - 1/4" - 20 x 1" carriage	1
11	C 45324	SHAFT - cross	1
12	187- 1036	BOLT - 1/4" - 20 x 1/2" flange	4
13	131- 934	NUT - 1/4" - 20 flange lock	4
14	C 45503	BAR - brake link	2
15	195- 525	WASHER - .40" x .81"	2
16	132- 321	PIN - cotter 1/8" - 1"	2
17	C 42895	BUSHING	2
18	113- 4	BOLT - 1/4" - 20 x 1"	2
19	195- 102	WASHER - .31" x .75"	2
20	131- 71	NUT - 1/4" - 20 lock	2
21	113- 118	BOLT - 5/16" - 18 x 5/8"	1
22	131- 911	NUT - 5/16" - 18 flange lock	1
23	C 45501	CLEVIS - brake	1
24	131- 938	NUT - 3/8" - 18 flange lock	1

DRIVE WHEELS



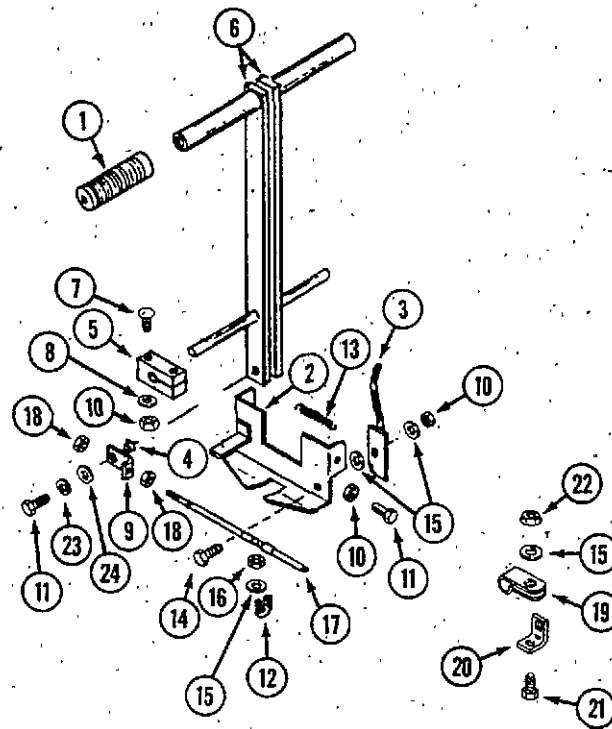
1	C 45277	MOUNT - caliper	2
2	C 45485	BRAKE - caliper L.H.	1
2	C 45486	BRAKE - caliper R.H.	1
3	113- 102	BOLT - 5/16" - 18 x 3/4"	8
4	192- 20	LOCKWASHER - 5/16"	4
5	131- 911	NUT - 5/16" - 18 flange lock	4
6	C 37611	DISC - brake	2
7	C 45274	AXLE - drive	1
8	113- 417	BOLT - 1/2" - 13 x 1-1/4" (axle mounting)	6
9	131- 930	NUT - 1/2" - 13 flange lock (axle mounting)	6
10	C 44847	HUB - mounting	2
11	132- 337	PIN - cotter 1/8" x 1-3/4"	2
12	C 37628	NUT - hub	2
13	NSS	WHEEL ASSEMBLY - 20 x 10-10	2
	C 44850	RIM	1
14	C 44848	BOLT - lug 1/2" - 20 x 1"	10
15	C 37627	PUCKS - brake (1 pair)	2

PARKING BRAKE



SINGLE TAIL WHEEL

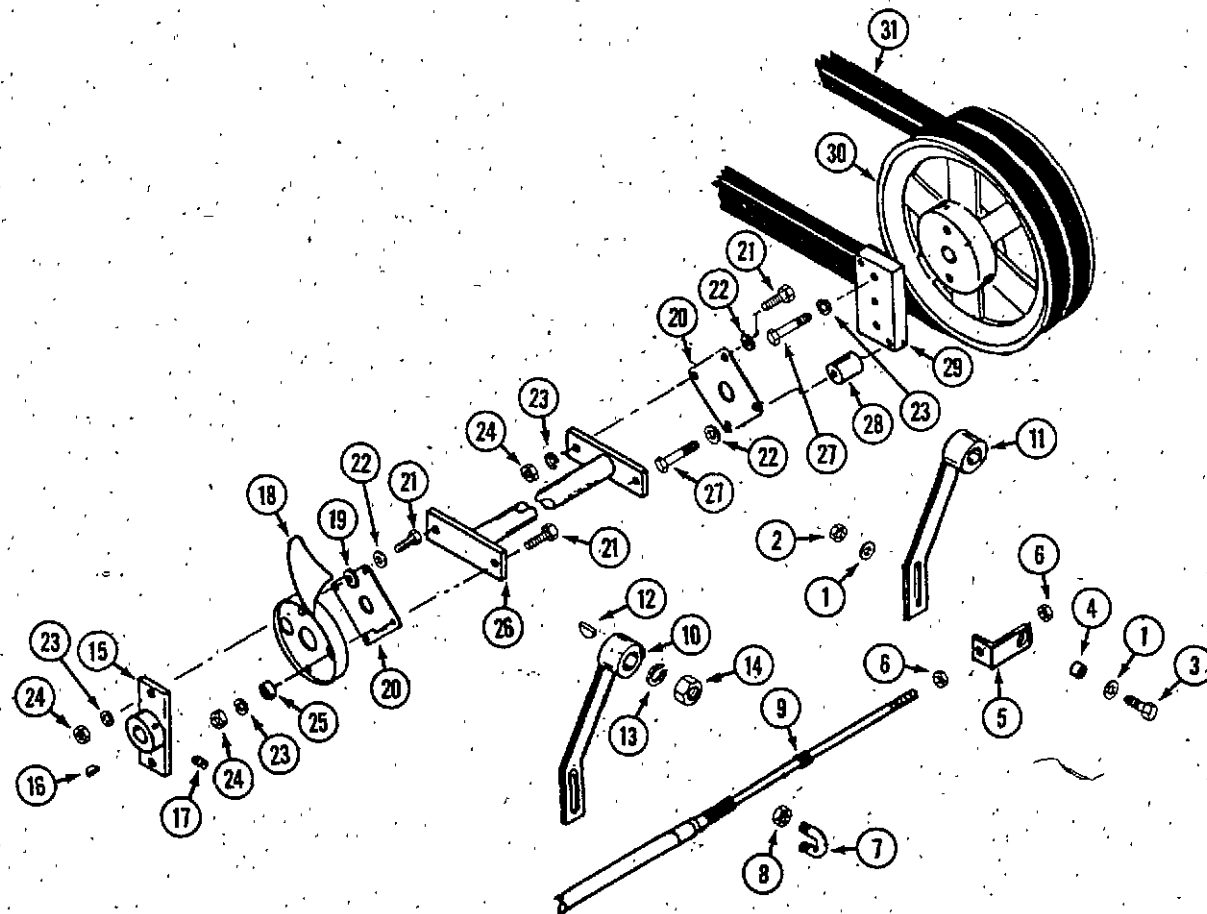
REF.	PART NO.	DESCRIPTION	REQ'D
1	C 37854	AXLE - wheel	1
2	C 37855	WHEEL ASSEMBLY - tail	1
	C 37856	BEARING - wheel	2
	C 37857	TIRE - 15 x 6.50 - 8	8
	C 37858	RIM - 8"	1
3	C 45297	FORK - tail wheel	1
4	C 37860	COLLAR - set 1"	1
5	C 37861	SPACER - tail wheel fork	1
6	113- 452	BOLT - 1/2" - 13 x 9-1/2"	1
7	85- 58	SCREW - set 5/16" - 18 x 1/2" square head	1
8	192- 23	LOCKWASHER - 1/2"	1
9	129- 105	NUT - 1/2" - 13	1
10	C 37824	BEARING - ball 1"	2
	219- 20	FITTING - grease 1/4" - 28 (caster pivot)	1



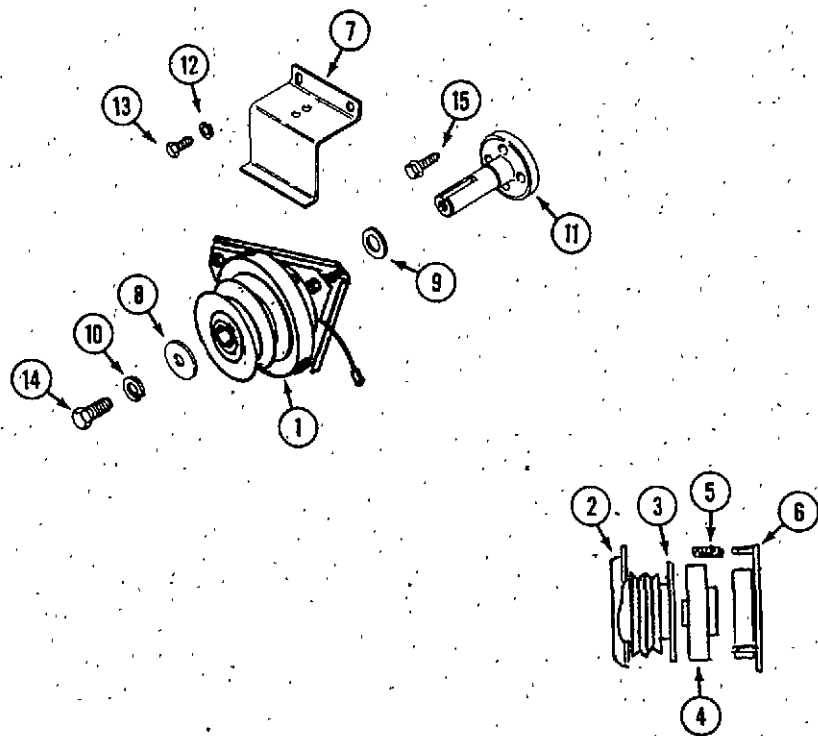
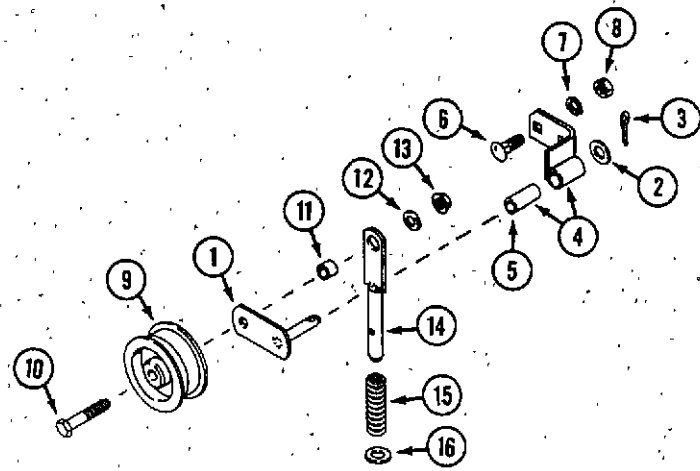
STEERING

REF.	PART NO.	DESCRIPTION	REQ'D
1	C 37631	GRIP - handle	2
2	C 37840	BRACKET - lever lock	1
3	C 37841	LATCH - lever lock	1
4	C 42895	BUSHING - steering cable	2
5	C 37842	BLOCK - bearing	2
6	C 44915	LEVER - steering	2
7	111- 114	BOLT - 1/4" - 20 x 1-1/2" carriage	8
8	195- 102	WASHER - 1/4"	8
9	C 37713	BRACKET - steering cable end	2
10	131- 71	NUT - 1/4" - 20 lock	11
11	113- 3	BOLT - 1/4" - 20 x 3/4"	4
12	C 37718	CLAMP - cable	2
13	C 37837	SPRING - lever lock	1
14	C 42359	BOLT - 1/4" - 20 x 2"	1
15	195- 102	WASHER - 1/4"	7
16	131- 69	NUT - 5/16" - 18 lock	4
17	C 43180	CABLE - steering	2
18	193- 1001	NUT - 1/4" - 28"	4
19	C 33218	CLAMP	2
20	C 45387	STOP - brake lever	1
21	113- 1	BOLT - 1/4" - 20 x 1/2"	1
22	131- 934	NUT - 1/4" - 20 flange lock	1
23	192- 19	LOCKWASHER - 1/4"	2
24	195- 520	WASHER - 1/4"	2

TRANSMISSION CONTROLS AND CROSS SHAFT



1	195- 520	WASHER - 1/4"	4
2	131- 71	NUT - 1/4" - 20 lock	2
3	113- 4	BOLT - 1/4" - 20 x 1"	2
4	C 42895	BUSHING - steering cable	2
5	C 37713	BRACKET - steering cable end	2
6	193- 1001	NUT - 1/4" - 20 lock	4
7	C 37718	CLAMP - cable	2
8	131- 69	NUT - 5/16" - 18 lock	4
9	C 43180	CABLE - steering	2
10	C 45233	ARM - control L.H.	1
11	C 45234	ARM - control R.H.	1
12	126- 11	KEY - 1/8" x 5/8" woodruff	2
13	192- 23	LOCKWASHER - 1/2"	2
14	129- 105	NUT - 1/2" - 13	2
15	C 37708	HUB - drive	1
16	126- 16	KEY - 3/16" x 3/4" woodruff	2
17	83- 55	SETSCREW - 5/16" - 18 x 5/16"	2
18	C 37696	FAN	1
19	C 37704	WASHER - .33" x .69" x .13"	2
20	C 37700	PLATE - drive	2
21	113- 103	BOLT - 5/16" - 18 x 1"	8
22	195- 102	WASHER - .312" x .75"	6
23	192- 20	LOCKWASHER - 5/16"	8
24	129- 102	NUT - 5/16" - 18	6
25	C 37702	SPACER - 1/4"	2
26	C 38015	SHAFT - cross	1
27	113- 104	BOLT - 5/16" - 18 x 1-1/4"	4
28	C 45378	SPACER - 3/4"	2
29	C 37710	BLOCK - cross shaft	1
30	C 45154	PULLEY - pump drive	1
31	C 37716	BELT - engine to transmission	1



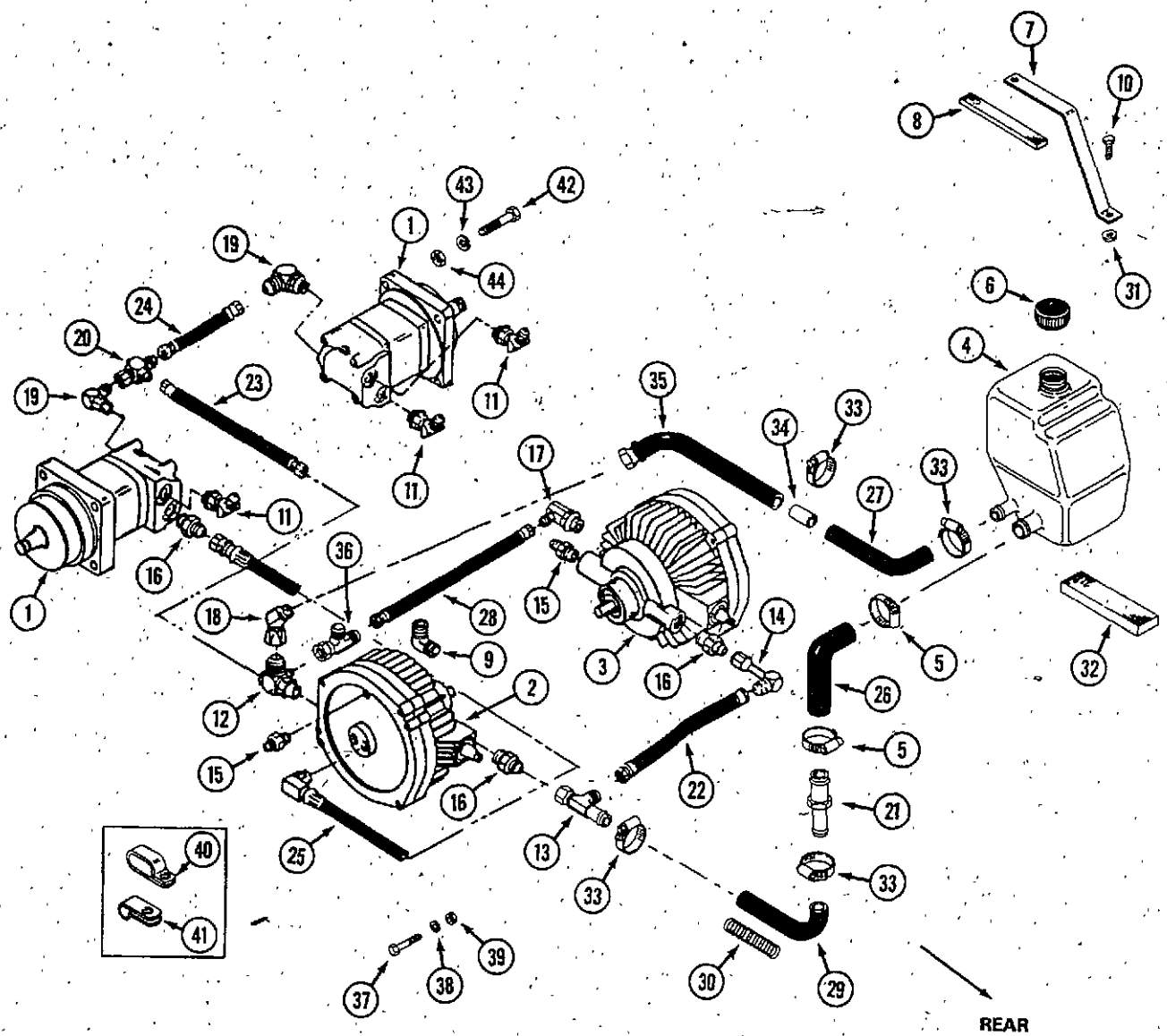
DRIVE IDLER

REF.	PART NO.	DESCRIPTION	REQ'D
1	C 45230	ARM - idler	1
2	195- 2067	WASHER - 1/2" x 7/8"	1
3	132- 320	PIN - cotter 3/32" x 3/4"	1
4	C 45400	BRACKET - pivot (includes bushing)	1
5	C 16714	BUSHING - .50" x .62" x 1.5"	1
6	111- 342	BOLT - carriage 3/8" - 16 x 1"	2
7	192- 21	LOCKWASHER - 3/8"	2
8	129- 103	NUT - 3/8" - 16	2
9	C 38445	PULLEY - 3.25" x 1.38"	1
10	113- 213	BOLT - 3/8" - 16 x 2-1/4"	1
11	C 16573	SPACER - .38" x .62" x .41"	1
12	195- 525	WASHER - 3/8"	2
13	131- 1352	NUT - 3/8" - 16 flange lock	1
14	C 45403	GUIDE - spring	1
15	C 45407	SPRING - compression	1
16	C 44383	WASHER - thrust	1

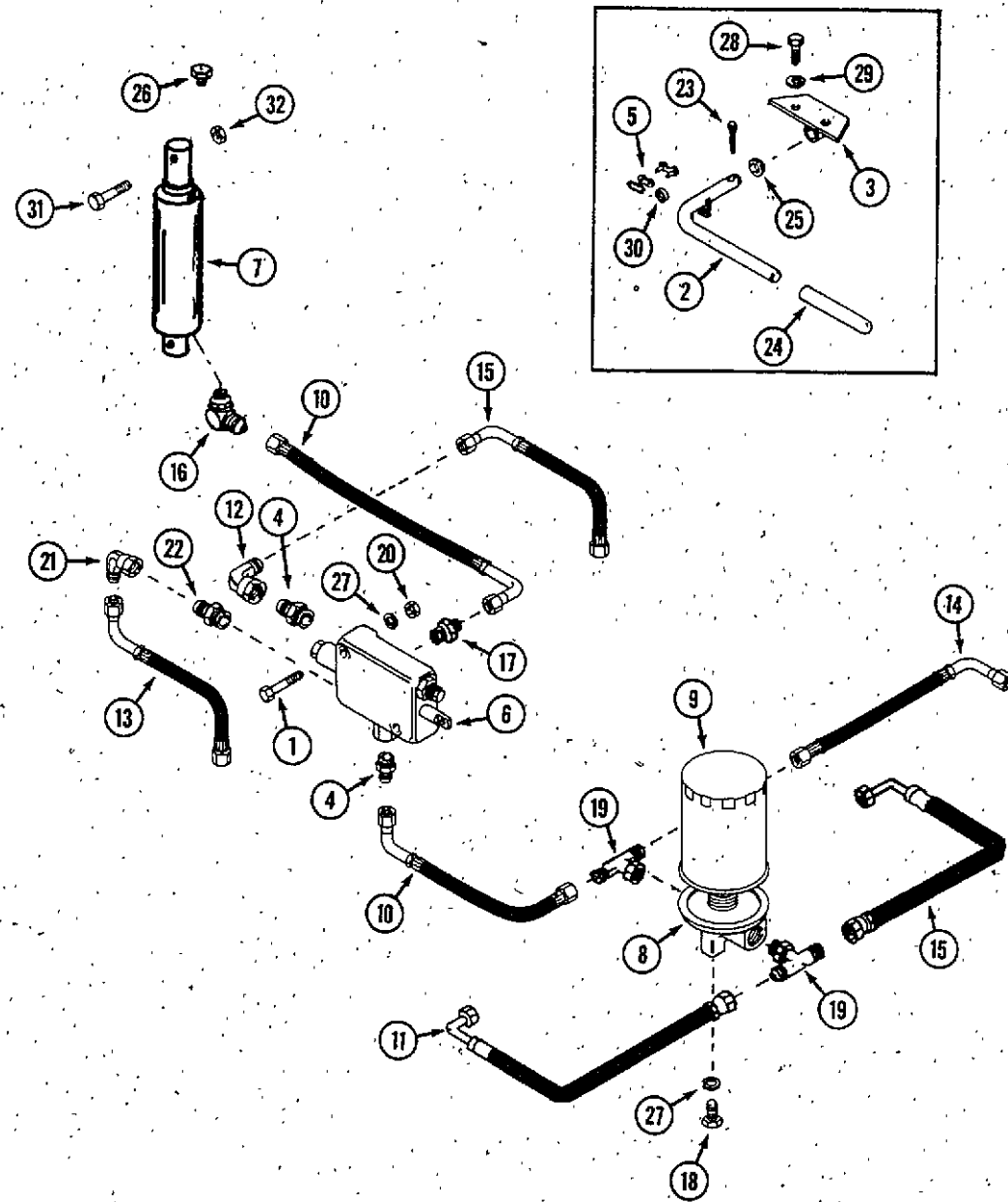
ELECTRIC CLUTCH (PTO)

1	C 37569	CLUTCH - electric	1
2	C 37549	BRAKE - clutch	1
3	C 37570	ARMATURE - clutch	1
4	C 37551	ROTOR - clutch	1
5	C 37552	KIT - spring and nut (3 each)	1
6	C 37553	COIL - clutch	1
7	C 45357	BRACKET - clutch stop	1
8	C 31615	WASHER - .47" x 1.75" x 1/4"	1
9	C 13716	WASHER - thrust 1" x 1.5"	1
10	192- 21	LOCKWASHER - 3/8"	1
11	C 44009	ADAPTER - clutch	1
12	192- 20	LOCKWASHER - 5/16"	2
13	814- 8016	BOLT - M8 - 1.25 x 16	2
14	114- 201	BOLT - 3/8" - 24 x 1-1/4"	1
15	C 42828	SCREW - M10 - 1.25 x 34	4

HYDRAULIC SYSTEM (DRIVE)



REF.	PART NO.	DESCRIPTION	REQ'D
1	C 37667	WHEEL MOTOR	2
2	C 44376	PUMP - L.H. CW (Eaton No. 1120-016)	1
3	C 44375	PUMP - R.H. CCW (Eaton No. 1120-017)	1
4	C 37228	TANK - hydraulic oil	1
5	214- 255	HOSE CLAMP - #16 (for 1" hose)	2
6	C 37093	CAP ASSEMBLY - tank	1
7	C 45317	BRACKET - hold down	1
8	C 34189	CUSHION - tank	3
9	218- 5105	FITTING - 90° 9/16"	1
10	113- 3	BOLT - 1/4" - 20 x 3/4"	2
11	218- 5146	FITTING - male tube; 45° male o-ring adapter	3
12	C 37678	FITTING - special cross	1
13	C 45284	FITTING - tee	1
14	C 37680	FITTING - male tube, 90° female swivel adapter	1
15	218- 5057	FITTING - male tube, male o-ring adapter	4
16	218- 5060	FITTING - male tube, male o-ring adapter	3
17	218- 5121	FITTING - male tube, 90° male o-ring adapter	1
18	218- 5175	FITTING - male tube, 45° female swivel adapter	1
19	218- 5103	FITTING - male tube, 90° male o-ring adapter	2
20	218- 5478	FITTING - male tube, female swivel tee	1
21	C 45283	CONNECTOR - 3/4" x 1"	1
22	C 45290	HOSE - 3/4" x 18" long	1
23	C 45295	HOSE - 1/4" ID x 14" long, easy couple	1
24	C 45293	HOSE - 7/16" x 18" long	1
25	C 44465	HOSE - 1/2" ID x 36-1/2" long (L.H. pump)	2
25	C 45286	HOSE - 1/2" ID x 26-1/2" long (R.H. pump)	2
26	C 33551	HOSE - suction 90° x 1"	1
27	C 43372	HOSE - 90° x 3/4"	1
28	C 37693	HOSE - 1/2" ID x 20" long, easy couple	1
29	C 44286	HOSE - 3/4" x 9"	1
30	C 15564	SPRING - hose liner	1
31	131- 934	NUT - 1/4" - 20 flange lock	2
32	C 44584	FOAM - cushion	3
33	214- 254	CLAMP - hose #12 (for 3/4" hose)	5
34	C 43377	TUBE - connector 3/4" x 1-1/2"	1
35	C 45289	HOSE - 3/4" x 14-1/4"	1
36	218- 845	FITTING - tee 3/4"	1
37	113- 257	BOLT - 3/8" - 16 x 2-1/2"	1
38	192- 21	LOCKWASHER - 3/8"	8
39	129- 103	NUT - 3/8" - 16	8
40	C 33213	CLAMP - double tube	2
41	C 33218	CLAMP - single tube	1
42	113- 421	BOLT - 1/2" - 13 x 2"	8
43	192- 23	LOCKWASHER - 1/2"	8
44	129- 105	NUT - 1/2" - 13	8

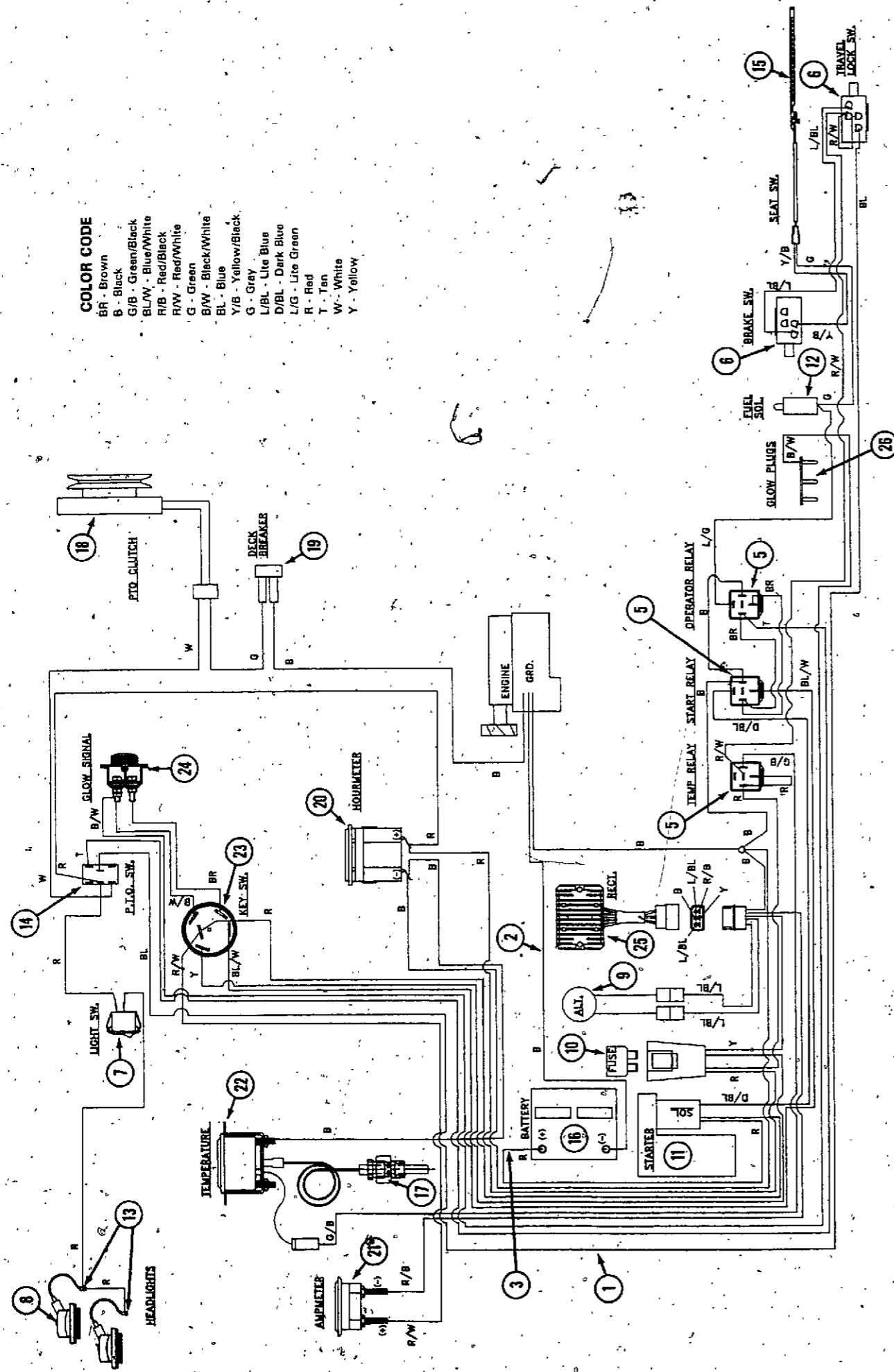


HYDRAULIC LIFT ASSEMBLY

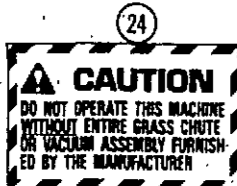
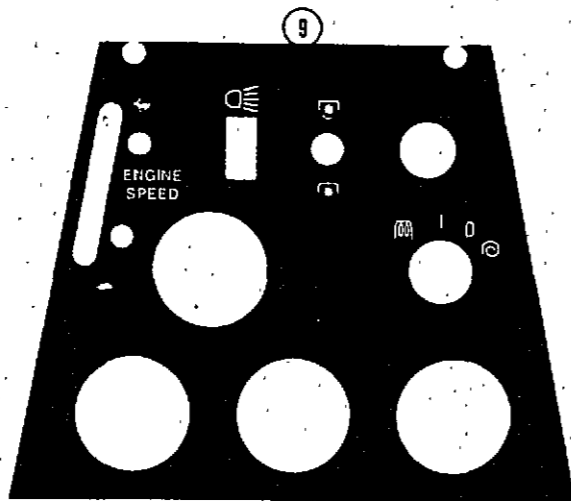
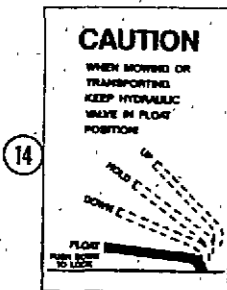
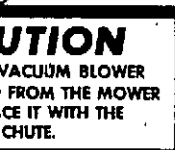
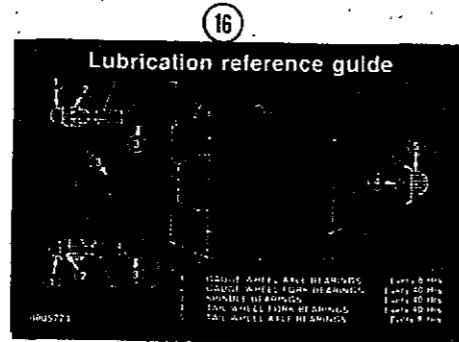
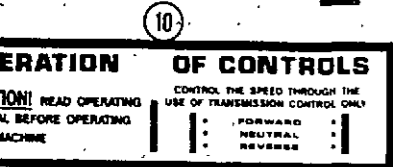
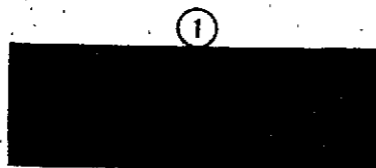
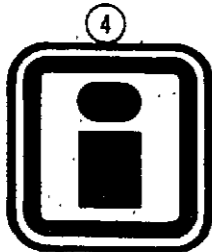
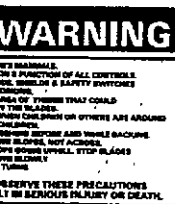
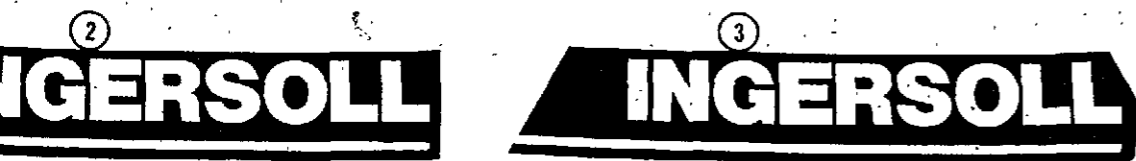
REF.	PART NO.	DESCRIPTION	REQ'D
1	113- 14	BOLT - 1/4" - 20 x 2"	2
2	C 45341	LEVER - actuator	1
3	C 45343	PIVOT - lever	1
4	218- 5058	FITTING - 9/16" x 3/4"	2
5	C 37791	CONNECTING LINK - #50	1
6	C 42937	VALVE - lift	1
7	C 44030	CYLINDER - lift	1
8	C 37636	HOUSING - oil filter	1
9	C 37637	ELEMENT - oil filter	1
10	C 37794	HOSE - 3/8" ID x 26" long	2
11	C 37795	HOSE - 3/8" ID x 31" long	1
12	218- 980	FITTING - 90° 9/16"	1
13	C 45292	HOSE - 90°, 3/4" x 19"	1
14	C 45287	HOSE - 3/8" ID x 11.5" long	1
15	C 37799	HOSE - 3/8" ID x 21" long	1
16	218- 5278	FITTING - 90° male tube adp.	2
17	218- 5057	FITTING - straight	3
18	113- 2	BOLT - 1/4" - 20 x 5/8"	2
19	218- 5182	FITTING - tee	1
20	129- 101	NUT - 1/4" - 20	2
21	218- 5230	FITTING - 90°, 3/4"	1
22	218- 5059	FITTING - straight	1
23	132- 310	PIN - cotter 1/8" x 1"	1
24	C 26020	GRIP - handle	1
25	C 37787	GROMMET - lever	1
27	192- 19	LOCKWASHER - 1/4"	4
28	113- 101	BOLT - 5/16" - 18 x 1/2"	2
29	192- 20	LOCKWASHER - 5/16"	2
30	C 42895	BUSHING	2
31	113- 422	BOLT - 1/2" - 13 x 2-1/2"	1
32	131- 70	NUT - 1/2" - 13 lock	1

ELECTRICAL SYSTEM

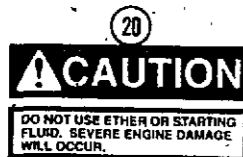
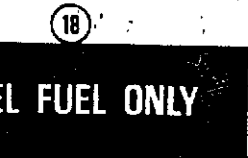
COLOR CODE
 BR - Brown
 B - Black
 G/B - Green/Black
 BL/W - Blue/White
 R/B - Red/Black
 R/W - Red/White
 G - Green
 B/W - Black/White
 BL - Blue
 Y/B - Yellow/Black
 G - Grey
 L/BL - Lite Blue
 D/BL - Dark Blue
 L/G - Lite Green
 R - Red
 T - Tan
 W - White
 Y - Yellow



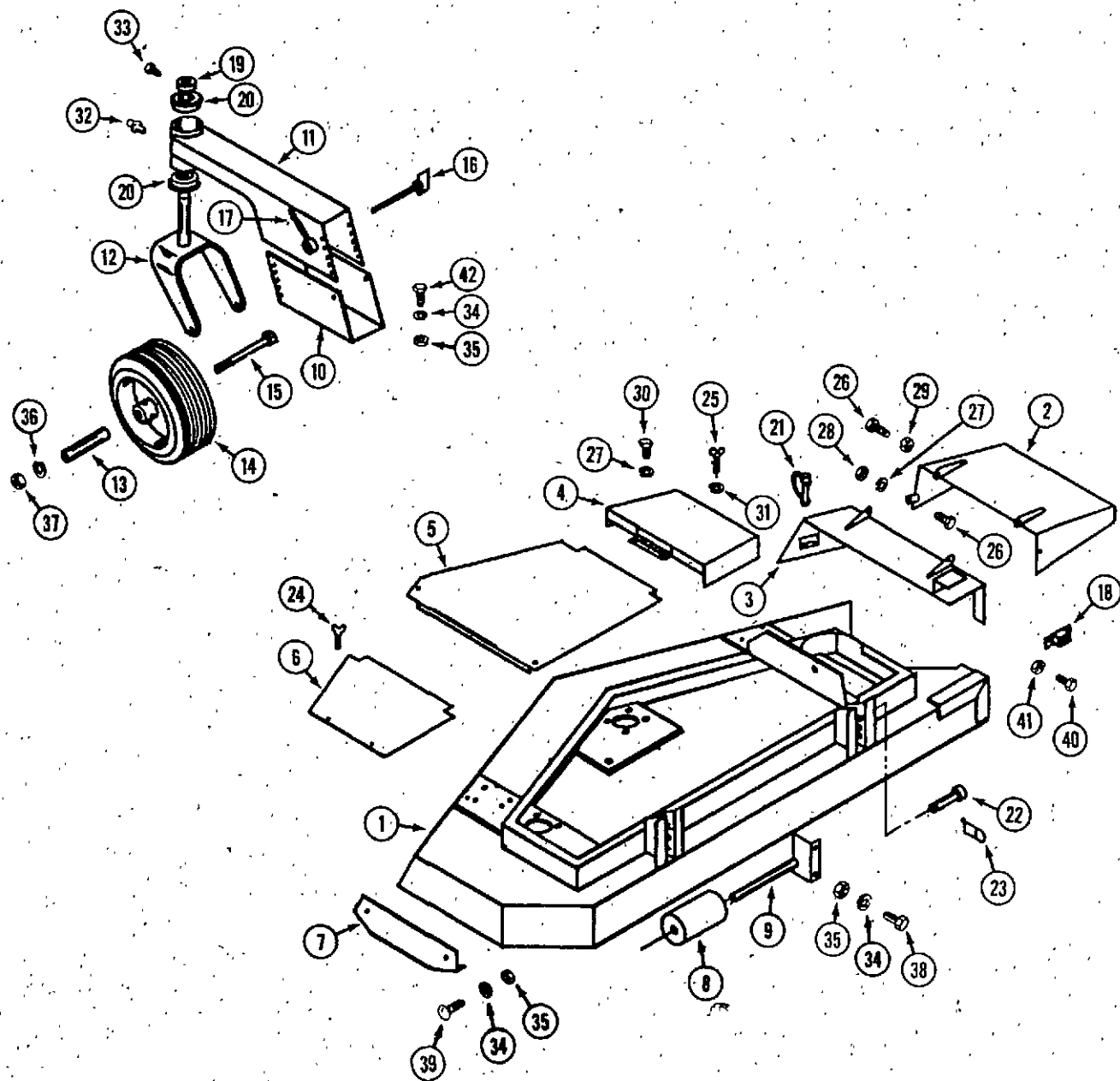
REF.	PART NO.	DESCRIPTION	REQ'D
1	C 45359	HARNESS - main	1
2	C 43350	CABLE - battery (-)	1
3	C 43349	CABLE - battery (+)	1
4	C 43046	INSULATOR - battery post	1
5	C 37515	RELAY	3
	182- 573	SCREW - #10 - 24 x 1/2" (relay mount)	3
	192- 18	LOCKWASHER - #10 (relay mount)	3
6	C 37521	SWITCH - 2 circuit	2
	182- 525	SCREW - #10 - 32 x 3/8" (2 circuit switch mount)	1
	182- 528	SCREW - #10 - 32 x 1/2" (2 circuit switch mount)	1
	192- 18	LOCKWASHER - #10 (2 circuit switch mount)	2
	193- 1000	NUT - #10 - 32 lock (2 circuit switch mount)	2
7	C 43044	SWITCH - light	1
8	C 32178	HEADLIGHT - (see page 61)	2
9	C 43610	ALTERNATOR - repairs page 55	1
10	C 31947	KIT - fuse holder	1
10	C 30260	FUSE - 30 amp	1
11	C 43609	STARTER - repair page 53	1
12	P185206082	SOLENOID - fuel shut off	1
13	C 44169	CONNECTOR - headlight terminal	2
14	C 31937	SWITCH - PTO	1
	C 31620	NUT - 1/2" - 27 black (PTO switch mount)	1
	C 31619	CAP - PTO switch	1
15	C 44012	SWITCH - seat (N.O.)	1
16	C 44071	BATTERY - 12.volt, 450.CCA (see page 61)	1
17	C 43602	SENDER - temperator, water	1
18	C 37511	CLUTCH - PTO, electric	1
19	C 37505	BREAKER - circuit, 10 amp	1
20	C 42929	HOURMETER	1
21	C 29413	AMMETER	1
22	C 45363	GAGE - temperatures	1
	C 45364	TERMINAL - temperature gage	1
	C 44169	CONNECTOR - temperature gage	1
	C 31977	CLAMP - temperature tube	1
23	C 42829	SWITCH - ignition	1
23	C 42855	KEY - ignition	1
24	C 42830	INDICATOR - glow plug	1
25	C 42831	REGULATOR - voltage	1
	113- 17	BOLT - 1/4" - 20 x 1-1/4" (regulator mount)	2
	192- 19	LOCKWASHER - 1/4" (regulator mount)	2
	129- 101	NUT - 1/4" - 20 (regulator mount)	2
26	C 43603	HEATER - glow plug	3



Diesel

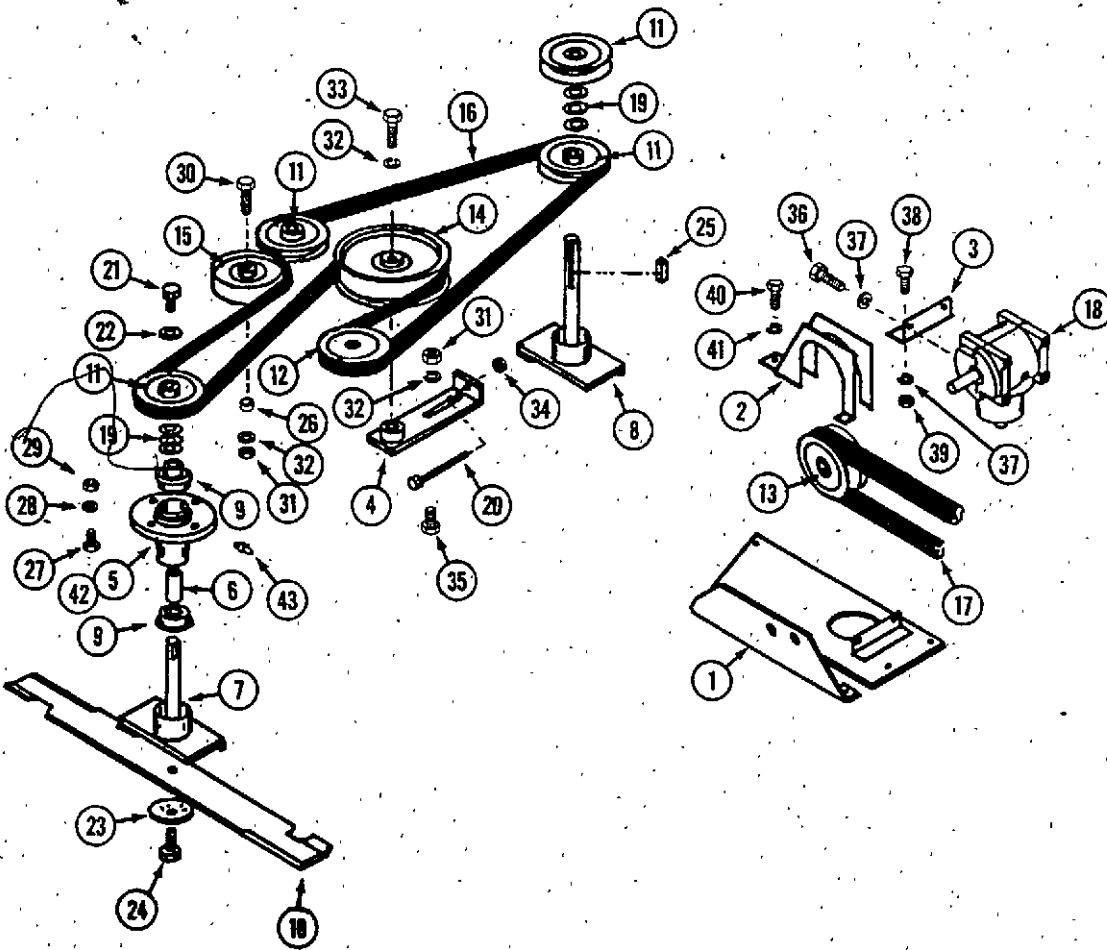


REF.	PART NO.	DESCRIPTION	REQ'D
1	C 44589	DECAL - front	1
2	C 45466	DECAL - side, rear	1
3	C 43947	DECAL - logo L.H.	2
3	C 43948	DECAL - logo R.H.	1
4	C 37464	MEDALLION - "Ingersoll"	1
6	C 43970	DECAL - rear R.H. (not shown)	1
6	C 43971	DECAL - rear L.H. (not shown)	1
8	C 43410	DECAL - "Diesel"	1
9	C 45163	DECAL - instrument panel	3
10	C 37495	DECAL - operation	1
11	C 37496	DECAL - "CAUTION" interlock	1
12	C 37502	DECAL - unlock/lock	1
13	C 37498	DECAL - run/park	1
14	C 37503	DECAL - "CAUTION" hydraulic lift	1
15	C 37500	DECAL - "DANGER" carbon monoxide	1
16	C 38807	DECAL - lubrication	1
17	C 37499	DECAL - hydraulic oil	1
18	C 37497	DECAL - diesel fuel only	1
19	C 43091	DECAL - anti-freeze	2
20	C 43092	DECAL - ether	1
21	C 44340	DECAL - "WARNING"	1
22	C 37491	DECAL - "WHIRLING BLADES"	1
23	C 37492	DECAL - "CAUTION" discharge	1
24	C 37493	DECAL - "CAUTION" grass chute	1
25	C 37494	DECAL - "DANGER"	1



52" MOWER DECK AND ATTACHING PARTS

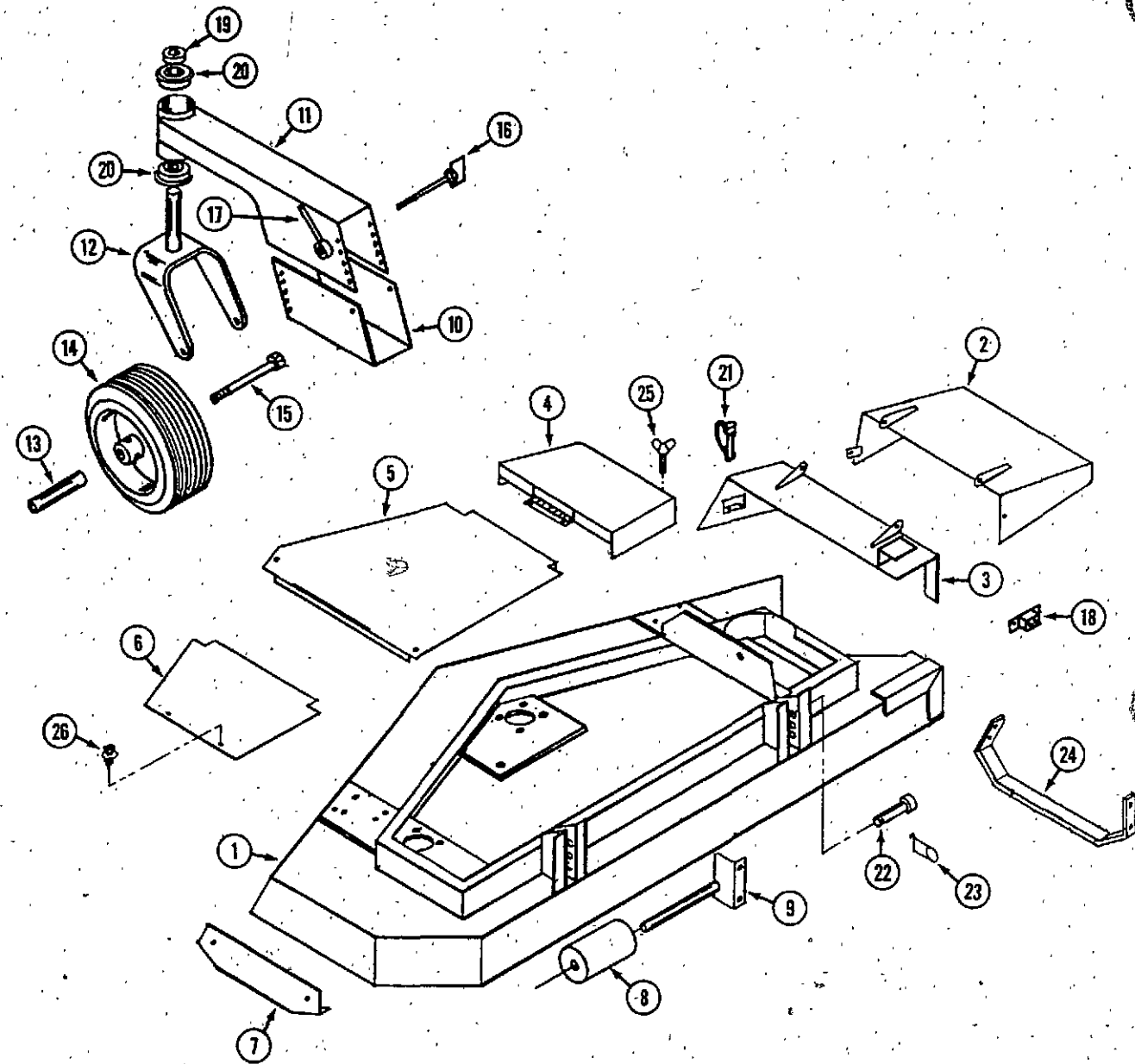
REF.	PART NO.	DESCRIPTION	REQ'D
1	C 44086	DECK - 52"	1
2	C 39208	CHUTE - foot guard	1
3	C 39209	MOUNT - foot guard	1
4	C 39204	COVER - pulley	1
5	C 39203	COVER - center	1
6	C 39200	COVER - L.H.	1
7	C 37942	SHOE - skid	1
8	C 37910	ROLLER - anti-scalp	1
9	C 37911	SHAFT - roller	1
10	C 37912	BRACKET - gauge wheel mount	2
11	C 37913	MOUNT - gauge wheel	2
12	C 37914	FORK	2
13	C 37915	AXLE - wheel	2
14	C 37916	WHEEL - gauge	2
	C 37917	TIRE - 11 x 4.00 - 5	1
	C 37918	RIM - 5"	1
	C 44499	BEARING - wheel	2
15	113- 2419	BOLT - 1/2" - 13 x 6-1/2"	2
16	C 37920	BOLT - wing	4
17	C 37921	NUT - gauge wheel handle	4
18	C 37505	BREAKER - circuit, 10 amp	1
19	C 37860	COLLAR - set	2
20	C 37824	BEARING - 1"	4
21	C 37922	PIN - "fas-tatch"	1
22	C 10821	PIN - deck	1
23	C 29029	PIN - cotter, hair	2
24	NSS	SCREW - thumb 1/4" - 20 x 1/2" (use 113-3 and 192-19)	4
25	NSS	SCREW - wing 1/4" - 20 x 1" (use 113-3)	1
26	113- 3	BOLT - 1/4" - 20 x 3/4"	4
27	192- 19	LOCKWASHER - 1/4"	2
28	129- 101	NUT - 1/4" - 20	2
29	131- 71	NUT - 1/4" - 20 lock	2
30	113- 1	BOLT - 1/4" - 20 x 1"	2
31	195- 102	WASHER - 1/4"	1
32	C 37993	FITTING - grease	2
33	C 37756	SCREW - set 5/16" - 18 x 1/2" square head	2
34	192- 20	LOCKWASHER - 5/16"	6
35	129- 102	NUT - 5/16" - 18	6
36	192- 23	LOCKWASHER - 1/2"	2
37	129- 105	NUT - 1/2" - 13	2
38	113- 102	BOLT - 5/16" - 18 x 3/4"	2
39	111- 202	BOLT - 5/16" - 18 x 3/4" carriage	2
40	182- 528	SCREW - #10 - 32 x 1/2"	2
41	C 37598	NUT - #10 - 32	2
42	111- 203	BOLT - 5/16" - 18 x 1" carriage	6



52" MOWER DRIVE

REF.	PART NO.	DESCRIPTION	REQ'D
1	C 39205	MOUNT - gear box	1
2	C 37876	GUARD - belt	1
3	C 37877	ANGLE - gear box mount	1
4	C 37929	TIGHTENER - belt	1
5	C 37880	HOUSING - spindle	3
6	C 37881	SPACER - spindle	3
7	C 37883*	SHAFT - spindle, short	2
7	C 44128 **	SHAFT - spindle, short	1
8	C 37884*	SHAFT - spindle, long	1
8	C 44130 **	SHAFT - spindle, long	1
9	C 42786*	BEARING - spindle	3
10	C 37930	BLADE - mower	3
10	C 44136 **	BLADE - mower	1
11	C 37931	PULLEY - spindle	4
12	C 37932	PULLEY - gear box output	1
13	C 37893	PULLEY - gear box input	1
14	C 37933	PULLEY - idler, large	1
15	C 37934	PULLEY - idler, small	1
16	C 37935	BELT - deck	1
17	C 37895	BELT - drive	2
18	C 37898	GEAR BOX - angle drive (see page 85 for repairs) (Curtis model)	1
18	C 42775	GEAR BOX - angle drive (repairs page 85) (Superior model)	1
19	C 37888	SPACER - washer	12
20	C 37901	BOLT - 1/4" - 20 x 4"	1
21	C 39386	BOLT - 5/16" - 24 x 3/4" lock	3
22	C 37900	WASHER - 5/16" - 10 ga.	3
23	C 37886*	WASHER - blade	3
24	C 37557*	BOLT - 3/8" - 24 x 1-1/4"	3
24	113- 268 **	BOLT - 3/8" - 16 x 1" (also required 131-1216 locknut)	6
25	C 29581	KEY - 3/16" x 1"	6
26	C 37937	SPACER - idler pulley	1
27	113- 312	BOLT - 7/16" - 14 x 1-1/4"	12
28	192- 22	LOCKWASHER - 7/16"	12
29	129- 104	NUT - 7/16" - 14	12
30	113- 257	BOLT - 3/8" - 16 x 2-1/2"	1
31	129- 103	NUT - 3/8"	1
32	192- 21	LOCKWASHER - 3/8"	1
33	113- 208	BOLT - 3/8" - 16 x 1-1/4"	1
34	131- 71	NUT - 1/4" - 20 lock	1
35	111- 371	BOLT - 3/8" - 16 x 1" carriage	1
36	113- 103	BOLT - 5/16" - 18 x 1"	4
37	192- 20	LOCKWASHER - 5/16"	5
38	113- 102	BOLT - 5/16" - 18 x 3/4"	1
39	129- 102	NUT - 5/16" - 18	1
40	113- 1	BOLT - 1/4" - 20 x 1/2"	2
41	192- 19	LOCKWASHER - 1/4"	2
42	C 37902	HOUSING ASSEMBLY - spindle (includes ref. 5, 6, 9)	3
43	219- 20	FITTING - grease 1/4" - 28	3

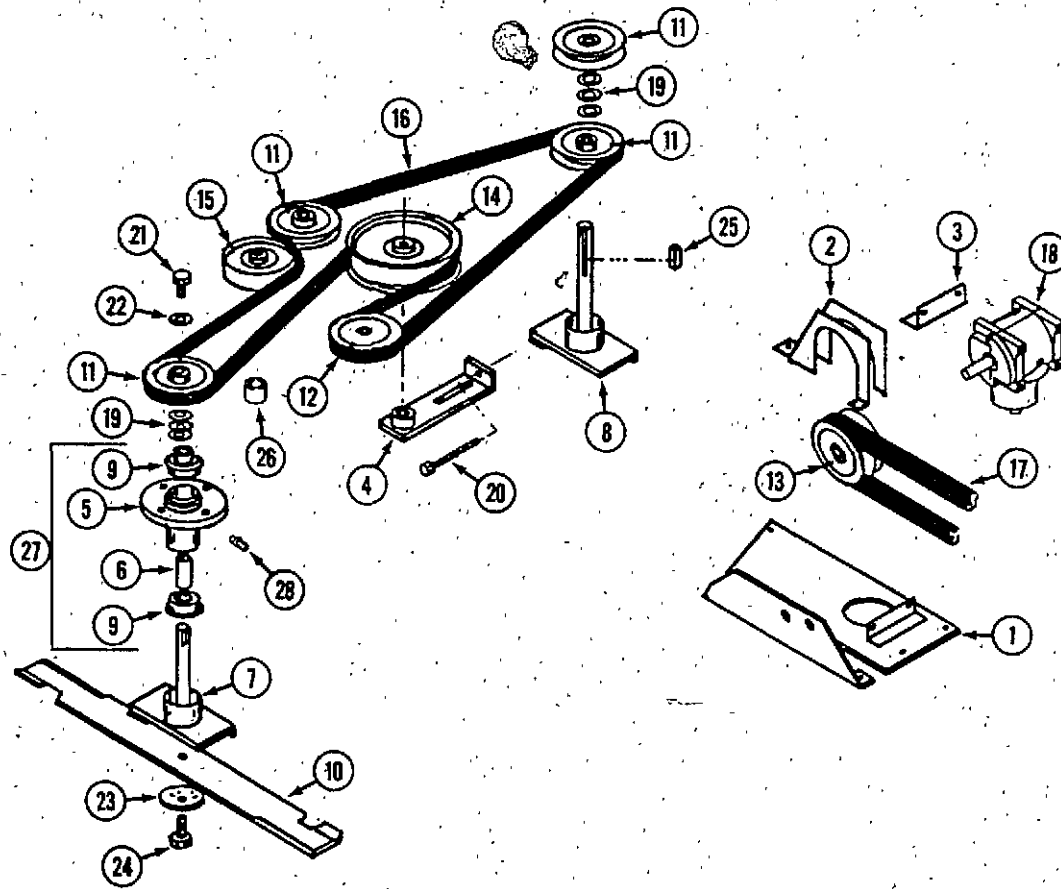
*use before S/N: 013306046
 **use S/N: 013306046 and after



62" MOWER DECK AND ATTACHING PARTS

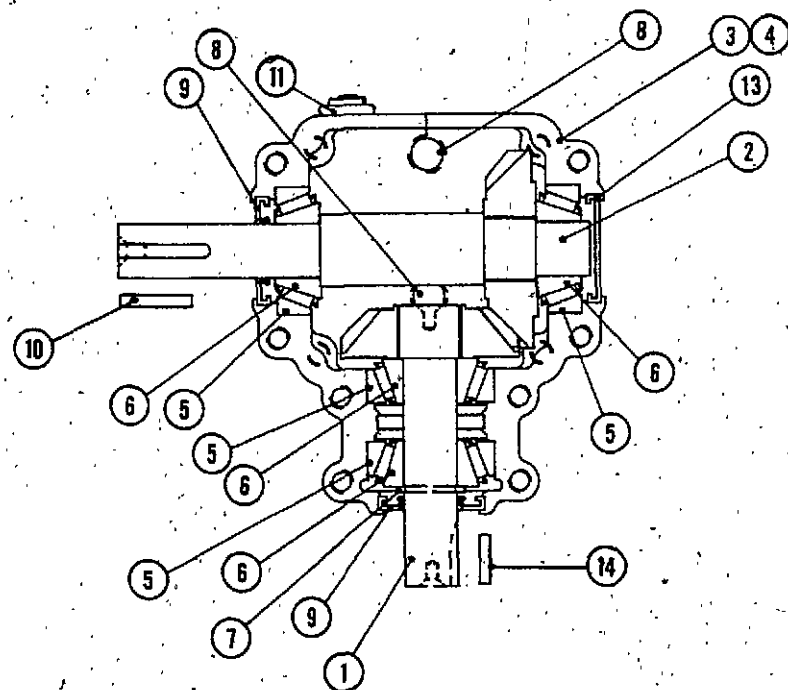
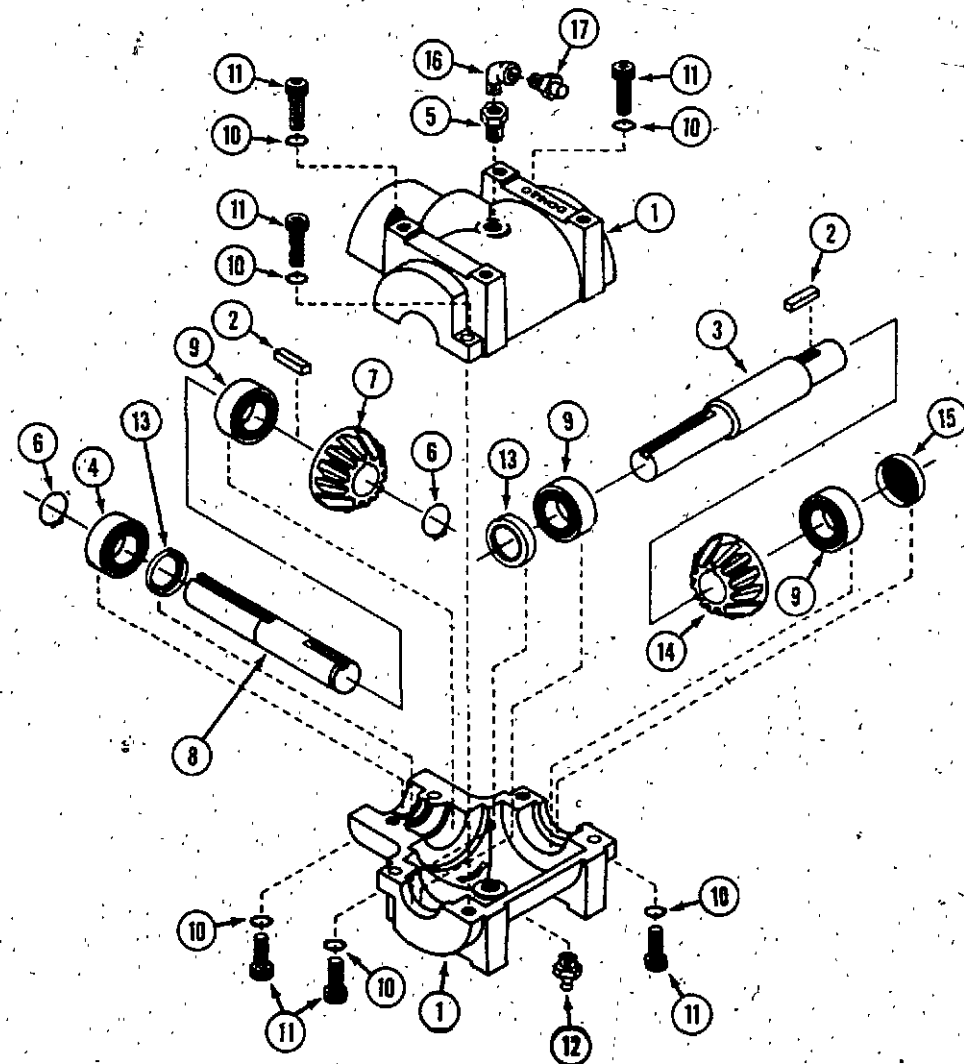
REF.	PART NO.	DESCRIPTION	REQ'D
1	C 44088	DECK - 62"	1
2	C 41396	CHUTE - foot guard	1
3	C 41400	MOUNT - foot guard	1
4	C 41392	COVER - pulley	1
5	C 41378	COVER - center	1
6	C 41373	COVER - L.H.	1
7	C 37956	SHOE - skid L.H.	1
8	C 37910	ROLLER - anti-skid	1
9	C 37911	SHAFT - roller	1
10	C 37912	BRACKET - gauge wheel mount	2
11	C 37913	MOUNT - gauge wheel	2
12	C 37914	FORK - gauge wheel	2
13	C 37915	AXLE - gauge wheel	2
14	C 37916	WHEEL - gauge	2
	C 37917	TIRE - 11 x 4.00 - 5	1
	C 37918	RIM - 5"	1
	C 44499	BEARING - wheel	2
15	113-2419	BOLT - 1/2" - 13 x 6-1/2"	2
16	C 37920	BOLT - wing	4
17	C 37921	NUT - gauge wheel handle	4
18	C 37505	BREAKER - circuit - 10 amp	1
19	C 37860	COLLAR - set 1"	2
20	C 37824	BEARING - 1"	4
21	C 37922	PIN - "fas-tatch"	1
22	C 10821	PIN - deck	2
23	C 29029	PIN - cotter, hair	2
24	C 37957	SHOE - skid R.H.	1
25	NSS	SCREW - thumb 1/4" - 20 x 1/2" (use 113-3 and 192-19)	4
26	NSS	SCREW - wing 1/4" - 20 x 1" (use 113-3)	1

62" MOWER DRIVE



REF.	PART NO.	DESCRIPTION	REQ'D
1	C 41757	MOUNT - gear box	1
2	C 37876	GUARD - belt	1
3	C 37877	ANGLE - gear box mount	1
4	C 37929	TIGHTENER - belt	1
5	C 37945	HOUSING - spindle	3
6	C 37946	SPACER - spindle	3
7	C 37947*	SHAFT - spindle, short	2
7	C 44132 **	SHAFT - spindle, short	2
8	C 37948 *	SHAFT - spindle, long	1
8	C 44134 **	SHAFT - spindle, long	1
9	C 42786	BEARING - spindle	6
10	C 37949*	BLADE	3
10	C 44138 **	BLADE	3
11	C 37950	PULLEY - spindle	4
12	C 37932	PULLEY - gear box output	1
13	C 37893	PULLEY - gear box input	1
14	C 37933	PULLEY - idler, large	1
15	C 37934	PULLEY - idler, small	1
16	C 38929	BELT - deck	1
17	C 38566	BELT - drive	2
18	C 37898	GEAR BOX - angle drive (see page 85 for service) (Curtis model)	1
18	C 42775	GEAR BOX - angle drive (see page 85 for service) (Superior model)	1
19	C 37888	WASHER - spacer	12
20	C 37901	BOLT - 1/4" - 20 x 4"	1
21	C 39386	BOLT - 5/16" - 24 x 3/4"	3
22	C 37900	WASHER - 5/16", 10 ga	3
23	C 37886*	WASHER - blade	3
24	C 37557*	BOLT - 3/8" - 24 x 1-1/4"	3
24	113- 268 **	BOLT - 3/8" - 16 x 1" (also requires 131-1216 locknut)	6
25	C 29581	KEY - 3/16" x 3/16" x 1"	6
26	C 37937	SPACER - idler pulley	1
27	C 37951	HOUSING ASSEMBLY - spindle (includes ref. 5, 6, 9)	3
28	219- 20	FITTING - grease 1/4" - 28	3

*use before S/N 013306063
 **use S/N 013306063 and after



GEAR BOX (MOWER)
(Curtis)

REF.	PART NO.	DESCRIPTION	REQ'D
	C 37898	GEAR BOX	1
1	C 37959	HOUSING - half	2
2	C 29581	KEY - 3/16" x 3/16" x 1"	2
3	C 37960	SHAFT - input	1
4	C 37961	BEARING - ball	1
5	C 37962	BUSHING - pipe 1/4" x 1/8"	1
6	C 37963	RING - retaining	2
7	C 37964	GEAR - output shaft	1
8	C 37965	SHAFT - output	1
9	C 37966	BEARING - ball	3
10	C 37967	LOCKWASHER	6
11	C 37968	CAP SCREW - allen head	6
12	C 37974	FITTING - grease 1/4" NPT	1
13	C 37969	SEAL - shaft	2
14	C 37970	GEAR - input shaft	1
15	C 37971	PLUG - expansion	1
16	C 37541	ELBOW - street 1/8" x 90°	1
17	C 37973	VALVE - relief	1
	C 37975	GREASE - synthetic, cartridge	1

GEAR BOX (MOWER)
(Superior)

1	C 42924	SHAFT - pinion, with gear	1
2	C 42923	SHAFT - cross, with gear	1
3	C 42917	HOUSING - with tapped holes	1
4	C 42927	HOUSING - with thru holes (not shown)	1
5	C 42918	CUP - bearing	4
6	C 42921	CONE - bearing	4
7	C 42919	RING - retaining	1
8	C 42920	PLUG - pipe 1/4"	3
9	C 42922	SEAL - shaft	2
10	C 29581	KEY - 3/16" x 1" input shaft	1
11	C 42928	PIPE - Vent	1
12	C 42926	BOLT - 5/16" x 1" socket head (not shown)	8
13	C 42925	CAP - end	1
14	C 28215	KEY - 3/16" x 5/8" output shaft	1