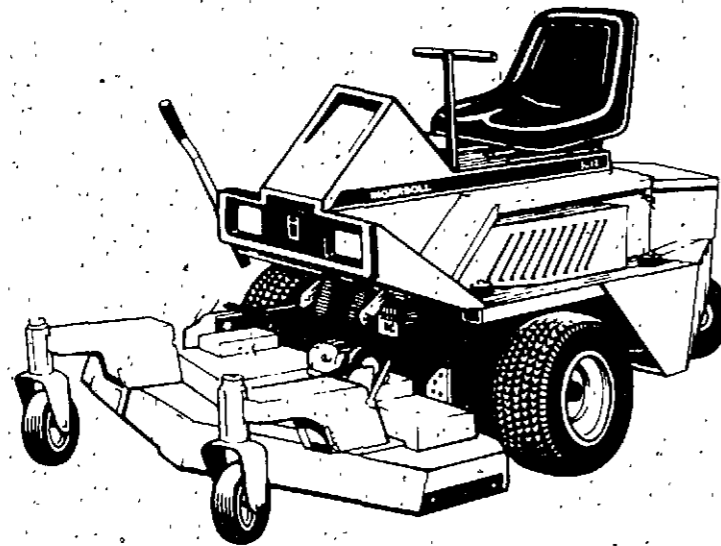


**FRONT CUT MOWERS  
5018CD, 5020V  
Parts Catalog 8-3320**

8-96-RP-300-333



**TABLE OF CONTENTS**

	Page	Grid
Engine and Attaching Parts .....	5-7	A6-A8
Electrical Clutch .....	9	A10
Fuel System .....	9	A10
Base Assembly .....	11	A12
Body .....	13	A14
Rear Weights .....	15	B2
Seat Lid and Steering .....	17	B4
Single Tail Wheel .....	19	B6
Dual Tail Wheel .....	19-21	B6-B8
Parking Brake .....	23	B10
Drive Assembly R.H. (5020V) .....	25	B12
Drive Assembly L.H. (5020V) .....	27	B14
Steering Cable Kit (5020V) .....	29	C2
Lift Lever .....	29	C2
Transmission and Drive Chains (5018CD) .....	31	C4
Cross Shaft, Transmission (5018CD) .....	33	C6
Pulley Drive And Cross Shaft (5020V) .....	33	C6
Hydraulic System (5020V) .....	35	C8
Wiring Diagram .....	37	C10
Decals .....	39	C12
Deck Lift, Electrical .....	41-43	C14-D2
ZT Transmissson (5020V) .....	45	D4
Pump, Hydro (5020V) .....	47	D6

## GENERAL INFORMATION

### INDEX

There is an index at the front and rear of this catalog.

The front index is an alphabetical index of the major groups or assemblies.

The rear index is a numerical index of the part numbers and pages on which these numbers are shown.

### ILLUSTRATION

Each illustration in this catalog shows a group of parts or components. These parts and components are aligned approximately as the parts and components on your machine. Each part and component in an illustration has a reference number. These reference numbers are in a list on the page opposite of the illustration. Next to the reference number is the part number, description and required quantity of the part shown in the illustration.

UAR - "Use as required" indicates that the part quantity is variable.

NSS - "Not sold separately" indicates that the part is only available as a component of an assembly or the part must be purchased locally. If the part is an assembly component, the description will be indented under the assembly description in the parts list.

O/L - "Obtain locally"

\*\* - "Footnotes" are added to a part number when more information is needed for identification. They only relate to the part numbers indicated.

### INDENTED DESCRIPTIONS

An assembly can have many components. The components of an assembly are indicated by an indented description. The quantity for an indented part is the total needed for that complete assembly. See the example.

REF.	PART NO.	DESCRIPTION	REQ'D
	C 55159	CYLINDER ASSY - rear steering	1
28	C 56208	SOCKET ASSY - rear cylinder	1
29	C 55956	PLUG - adjusting, socket assy	1
30	C 55957	SEAT - socket ball	2
31	C 56210	SPRING - socket	1
32	C 56209	SEAT - socket spring	1
33	G 45175	CLAMP ASSY - socket assy	1
	T6- 836	BOLT - 1/2" x 2-1/4" N.F. hex	1
34	132- 104	PIN - cotter, 3/16" x 3"	1
35	C 55889	STUD - ball, socket & cylinder	2
36	13- 410	BOLT - 1/4" x 5/8" N.C., hex	4
37	92- 4	LOCK WASHER - 1/4" SAE	4

### PARTS ORDERS

All orders must include the following information:

1. Correct part number.
2. Complete description of part or component.
3. Total quantity of each part or component.
4. Product model number.
5. All necessary product identification numbers.
6. Method for sending the parts.
7. Complete and correct address.

### CATALOG REVISIONS

As the product changes, new pages will be available for your catalog. A notice will be issued.

**IMPORTANT:** Put all revisions into the catalog as soon as possible.

### RIGHT HAND AND LEFT HAND IDENTIFICATION

The words right hand (RH) and left hand (LH) as used in this catalog indicate the direction while you are in the operator's seat in the normal operating position.

## MODEL 5012, 5016 AND 5018 FRONT CUT MOWERS

### PRODUCT IDENTIFICATION NUMBERS (P.I.N.) OR SERIAL NUMBERS (S/N)

The P.I.N. for your front cut mower is located on a sticker placed on the inside of the base near the battery. Other components will have the P.I.N. attached individually. Example (engines, transmissions, etc.).

### ENGINE IDENTIFICATION

#### TRACTOR MODEL

5018CD\*

5020V\*

#### ENGINE MODEL

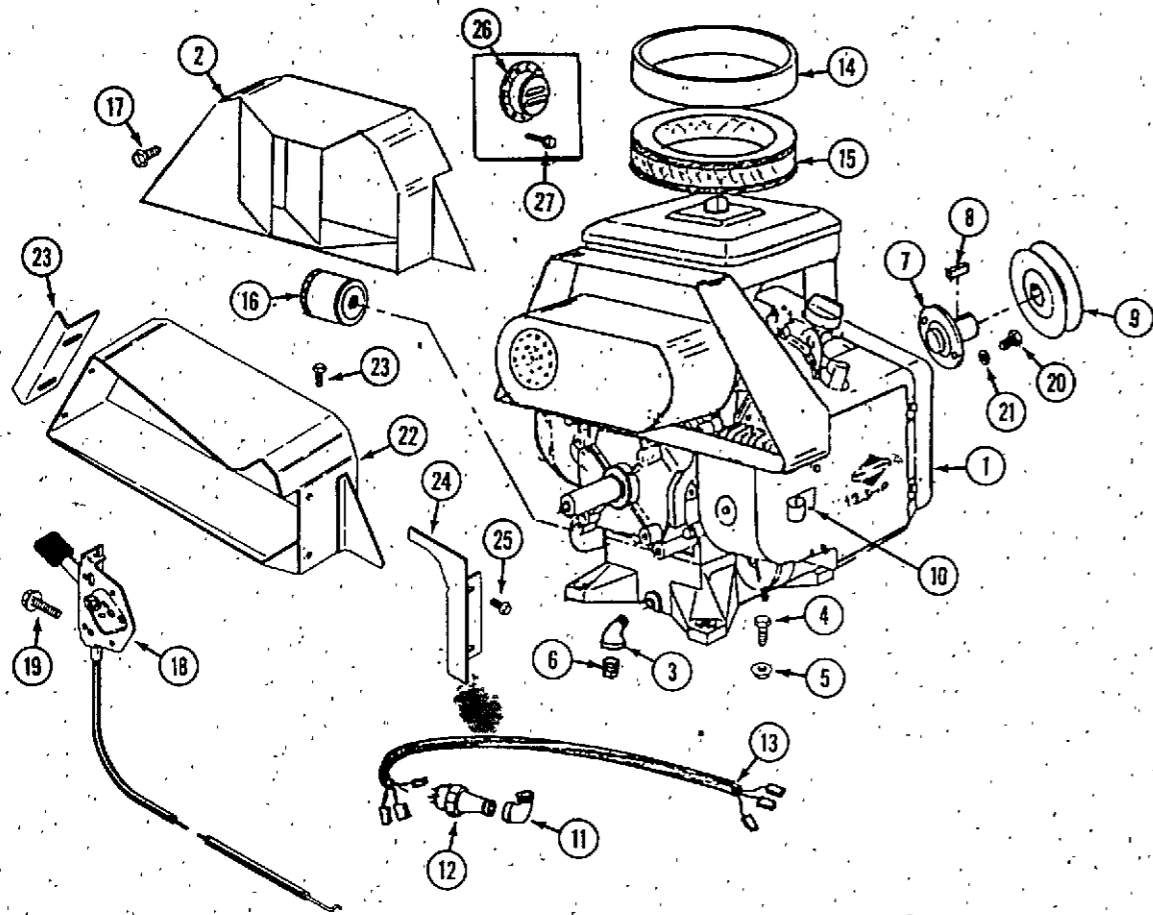
**BRIGGS & STRATTON  
CORPORATION  
ENGINE MODEL 422447  
SPEC. NO. 1277**

**BRIGGS & STRATTON  
CORPORATION (VANGUARD)  
ENGINE MODEL 351447  
SPEC. 1192**

#### IMPORTANT NOTICE:

In this catalog Briggs & Stratton engine parts and warranty are handled by the engine manufacturer.

#### CONTACT YOUR LOCAL ENGINE DISTRIBUTOR

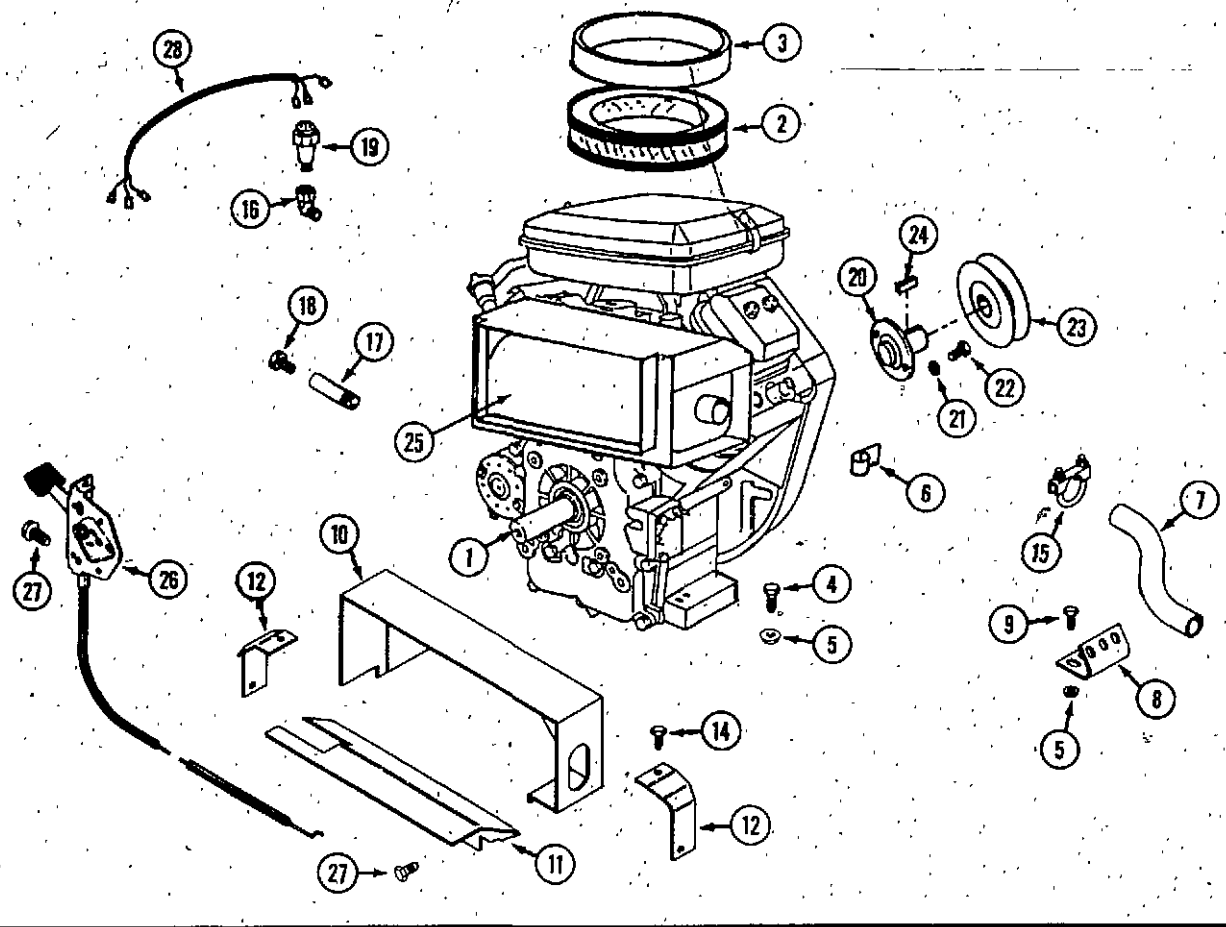


**ENGINE AND ATTACHING PARTS (5018CD)**

**BRIGGS AND STRATTON**

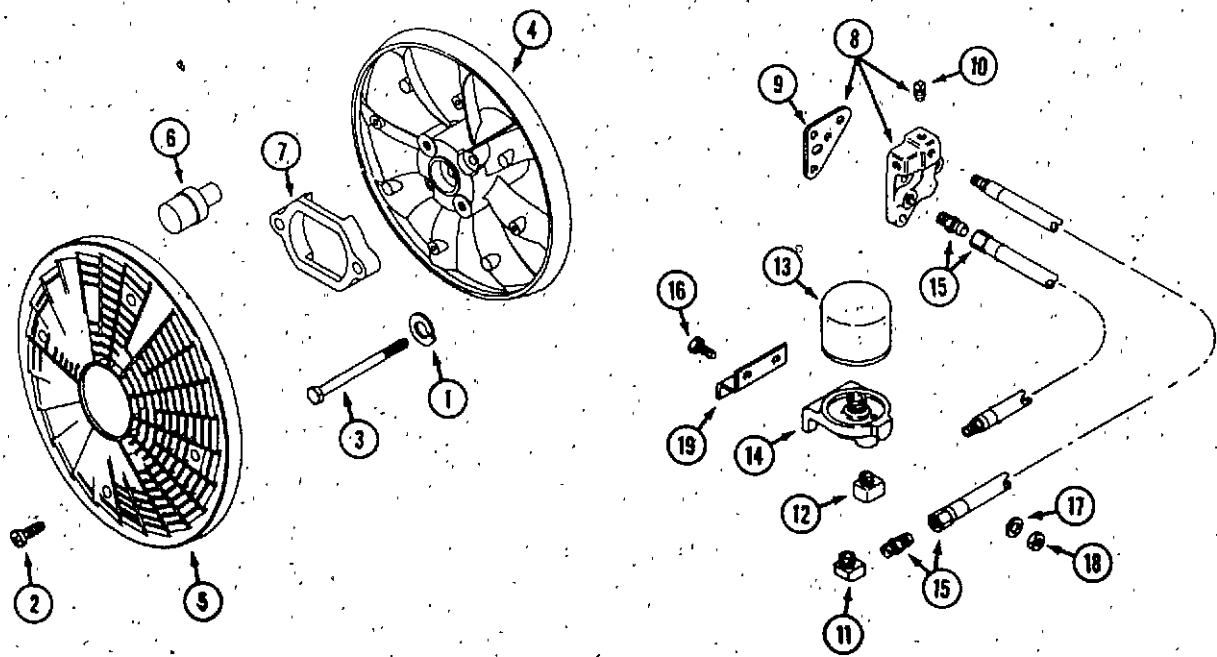
(See your local distributor for internal parts and warranty)

REF.	PART NO	DESCRIPTION	REQ'D
1	C41674	ENGINE - Briggs & Stratton model 422447, Spec. 1277 (18 hp) (5018CD)	1
2	C37533	DUCT - air (use before S/N 14178235)	1
3	221-1413	ELBOW - street 3/8"	1
4	113-104	BOLT - 5/16" - 18 x 1-1/4"	4
5	131-911	NUT - 5/16" - 18	4
6	C37546	PLUG - pipe 3/8"	1
7	C37537	SHAFT - stub	1
8	C41015	KEY - 1/4" x 1/4" x 1"	1
9	C37539	PULLEY - drive (use C32199 set screw)	1
10	C32455	RETAINER - starter cable	2
11	221-411	ELBOW - street 1/8"	1
12	C37531	UNIT - oil sending	1
13	C42240	HARNESS - wire	1
14	C37543	PRECLEANER	1
15	C37544	FILTER - air	1
16	C34374	FILTER - oil	1
17	121-21	BOLT - 1/4" - 20 flange lock	7
18	C37819	CABLE - choke	1
18	C37820	CABLE - throttle	1
19	C39403	SCREW - #12 x 1/2"	4
20	113-207	BOLT - 3/8" - 16 x 1"	2
21	192-21	LOCKWASHER - 3/8"	2
22	C45077	DUCT - air (use S/N 14178235 and after)	1
23	C45078	DEFLECTOR - air, front (use S/N 14178235 and after)	1
24	C45079	DEFLECTOR - air, rear (use S/N 14178235 and after)	1
25	187-1328	BOLT - #8 - 18 x 3/8"	4
26	C33444	DEFLECTOR - exhaust	1
27	187-1041	SCREW - #8 - 32 x 3/8"	4

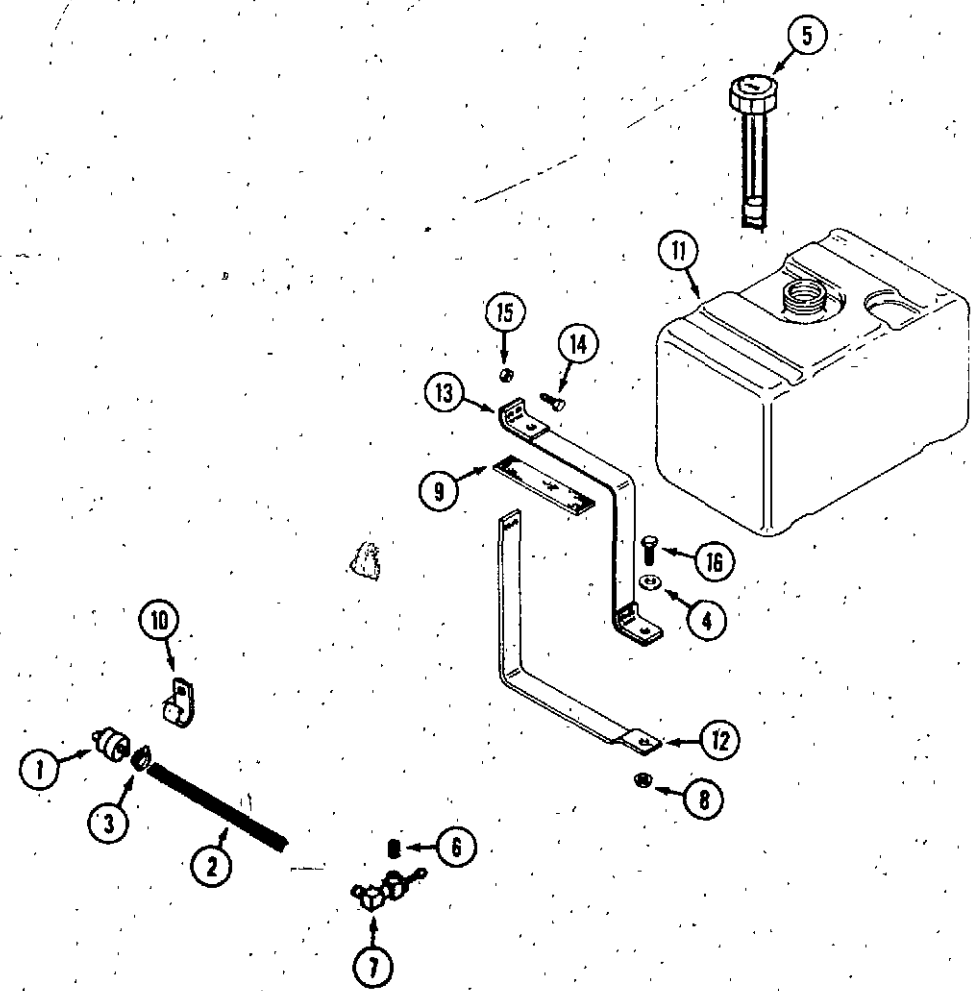
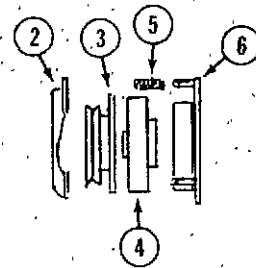
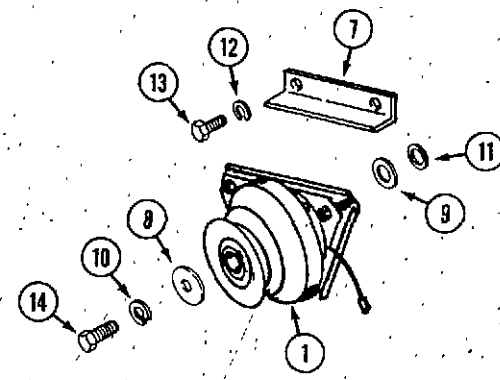


REF.	PART NO.	DESCRIPTION	REQ'D
1	C45915	ENGINE - Briggs & Stratton Vanguard Model (20 hp) (5020V)	1
2	C37544	ELEMENT - air cleaner	1
3	C37543	PRE-CLEANER	1
4	113-104	BOLT - 5/16" - 18 x 1-1/4"	4
5	131-911	NUT - 5/16" - 18 flange lock	5
6	C32455	CLIP - "J"	2
7	C44244	PIPE - exhaust	1
8	C44243	BRACKET - exhaust pipe	1
9	113-103	BOLT - 5/16" - 18 x 1"	1
10	C45105	DUCT - muffler, upper	1
11	C45109	DUCT - bottom	1
12	C45111	SUPPORT - duct front	1
14	C45273	SCREW - M6 x 10	3
15	C28294	CLAMP - exhaust	2
16	217-1085	FITTING - street elbow, 1/4" NPT 45	1
17	C33949	NIPPLE - pipe 3.5"	1
18	218-5154	PLUG - 1/2" - 20	1
19	C37531	UNIT - oil sending	1
20	C37537	SHAFT - stub	1
21	192-21	LOCKWASHER - 3/8"	2
22	113-207	BOLT - 3/8" - 16 x 1"	2
23	C37539	PULLEY - engine (use 83-55 set screw)	1
24	C41015	KEY - 1/4" x 1/4" x 1"	1
25	C44862	MUFFLER	1
26	C37819	CABLE - choke	1
26	C37820	CABLE - throttle	1
27	C39403	SCREW - #12 x 1/2"	4
28	C42240	HARNES - wire	1

**BOOSTER FAN AND REMOTE OIL FILTER (5020V)**



1	C44857	LOCKWASHER	2
2	BR93805	SCREW	4
3	C44858	SCREW	2
4	C44859	FAN - booster	1
5	C44860	SCREEN - rotating	1
6	C44861	PIN - pilot	1
7	C46079	SPACER - fan	1
8	C45094	ADAPTOR - oil	1
9	C34361	GASKET - adaptor	1
10	C34239	PLUG - pipe 1/8"	1
11	C44865	ELBOW - 90°	1
12	C44866	ELBOW - 90°	1
13	C34374	FILTER - oil	1
14	C44868	MOUNT - oil filter	1
15	C44869	HOSE AND FITTING	2
16	113-3	BOLT - 1/4" - 20 x 3/4"	3
17	195-102	WASHER - 5/16"	2
18	131-934	NUT - 1/4" - 20	3
19	C44328	BRACKET - mount	1

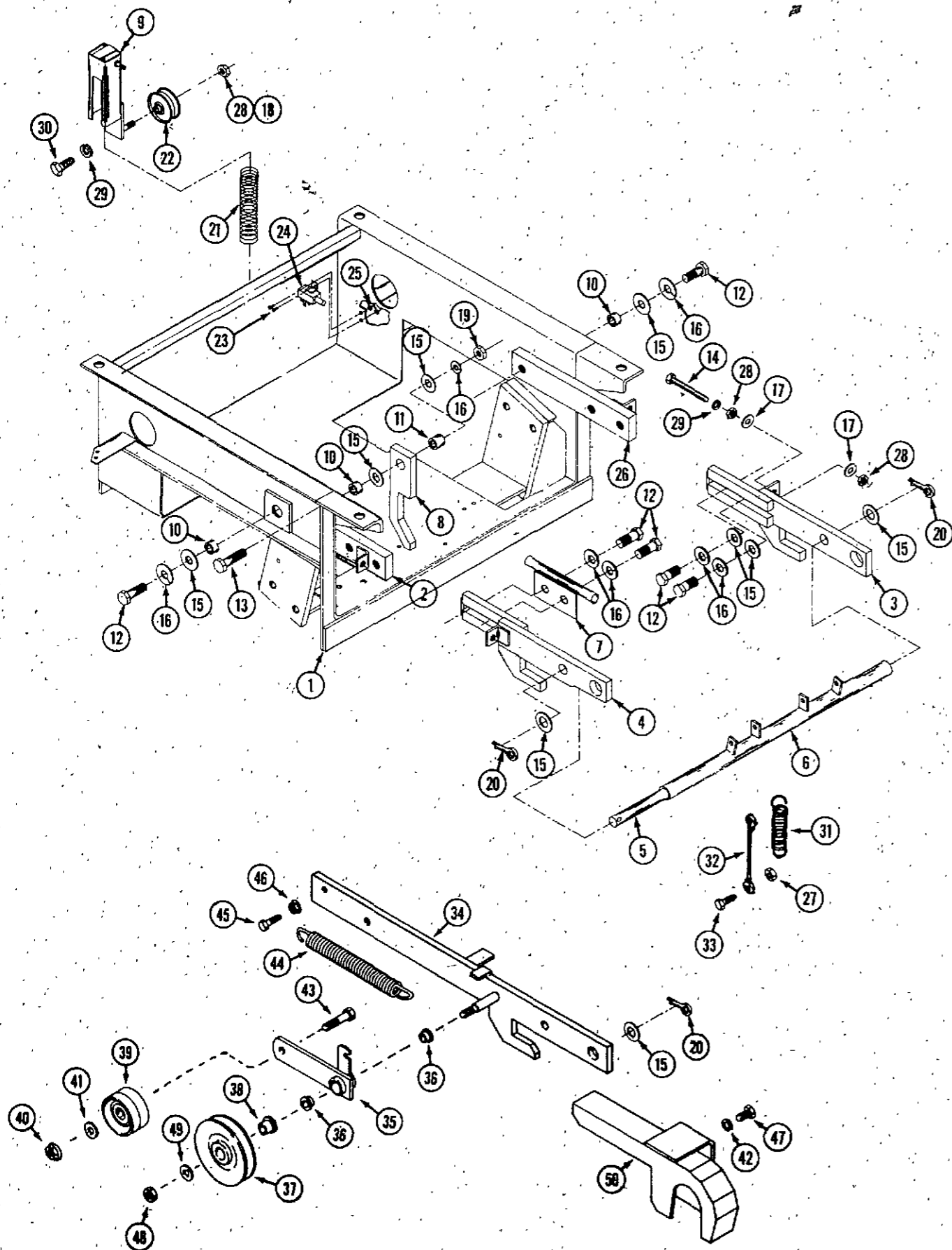


**ELECTRIC CLUTCH (PTO)**

REF.	PART NO.	DESCRIPTION	REQ'D
1	C37511	CLUTCH ASSEMBLY	1
2	C37549	BRAKE - clutch	1
3	C37550	ARMATURE - clutch	1
4	C37551	ROTOR - clutch	1
5	C37552	KIT - spring and nut (3 each)	1
6	C37553	COIL - clutch	1
7	C37562	BRACKET - clutch stop	1
8	C31615	WASHER - retaining	1
9	NSS	WASHER - 1"	1
10	192-21	LOCKWASHER - 3/8"	1
11	C31614	WASHER - 1-1/8"	1
12	192-22	LOCKWASHER - 7/16"	2
13	113-335	BOLT - 7/16" - 14 x 3/4"	2
14	114-203	BOLT - 3/8" - 24 x 1-1/2"	1

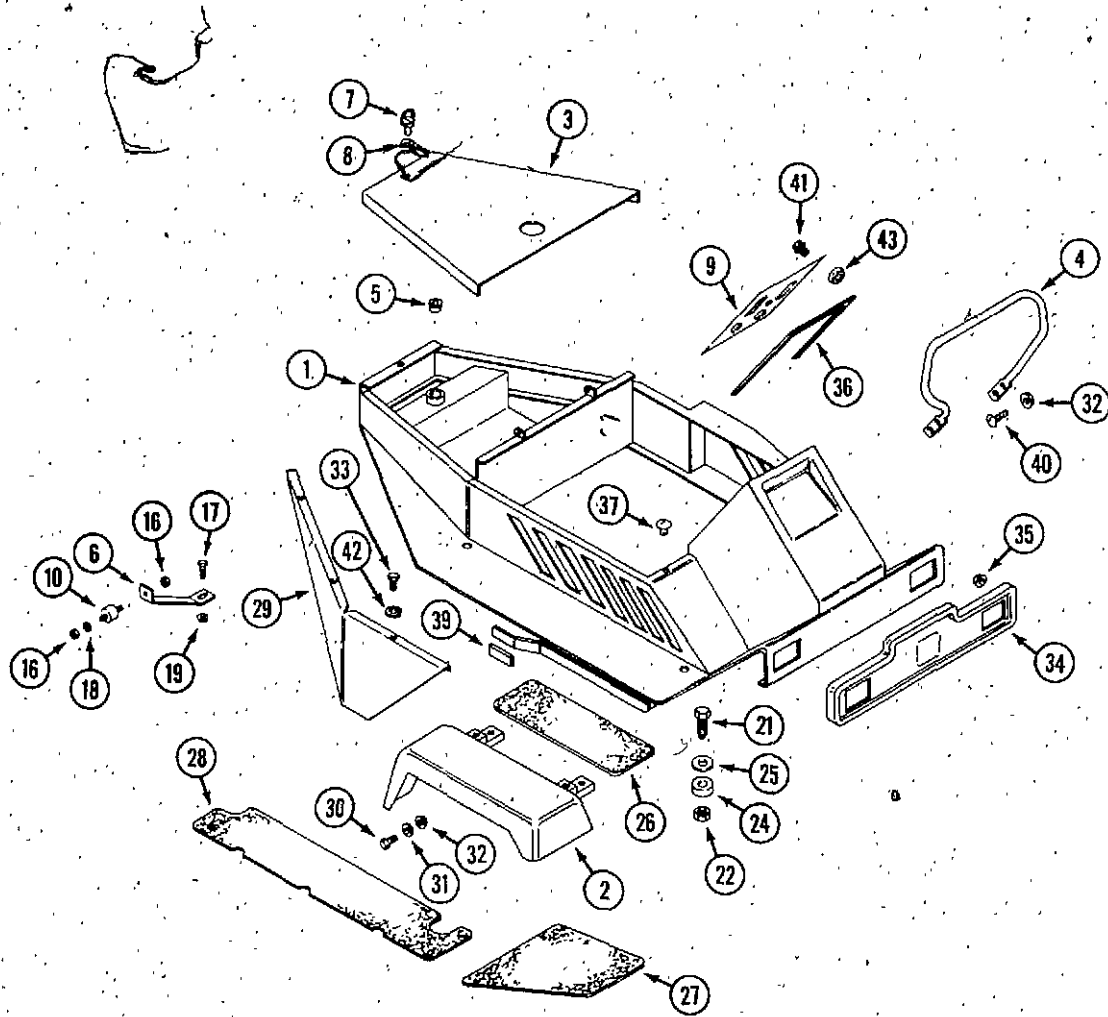
**FUEL SYSTEM**

1	C37554	FILTER - fuel	1
2	C44027	HOSE - fuel (cut to length)	1
3	214-103	CLAMP - hose	4
4	195-521	WASHER - 5/16"	2
5	C45334	CAP - fuel tank (with gauge) (2-1/4" threads) (use on plastic tank)	1
6	221-1101	NIPPLE - pipe 1/8"	1
7	C37811	VALVE - shut off	1
8	131-911	NUT - 5/16" - 18 flange lock	2
9	C34189	CUSHION	2
10	C32455	CLIP - "J" fuel line	1
11	C45333	TANK - fuel (2-1/4" filler tube) (plastic)	1
12	C45061	BRACKET - fuel tank	2
13	C45062	STRAP - fuel tank	2
14	113-5	BOLT - 1/4" - 20 x 1-1/2"	2
15	131-71	NUT - 1/4" - 20 lock	2
16	113-103	BOLT - 5/16" - 18 x 1"	2

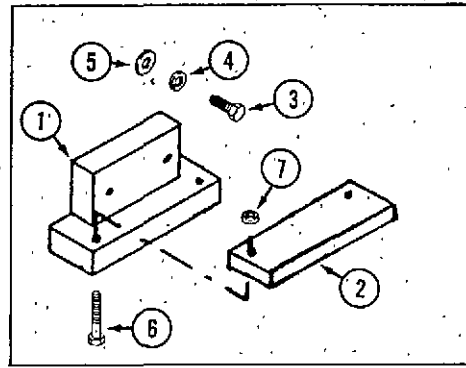


**BASE ASSEMBLY**

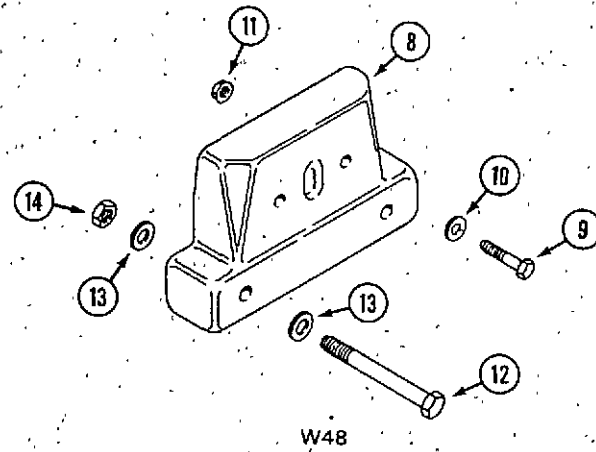
REF.	PART NO.	DESCRIPTION	REQ'D
1	C45924	BASE - 5018CD	1
1	C46081	BASE - 5020V	1
2	C37575	ARM - deck lift R.H. (5018CD)	1
3	C37574	ARM - front L.H. (5018CD)	1
4	C37573	ARM - front R.H. (5018CD)	1
5	C37578	PIN - cross bar	1
6	C37579	BAR - cross	1
7	C37577	TUBE - wire	1
8	C37583	LOCK - forward nose down	2
9	C37603	TUBE - drive idler (5018CD)	1
10	C37576	BUSHING - deck lift arm (3/8" long)	3
11	C37586	BUSHING - pivot (1/2" long)	1
12	113-417	BOLT - 1/2" - 13 x 1-1/4"	6
13	113-441	BOLT - 1/2" - 13 x 2-1/4"	1
14	113-210	BOLT - 3/8" - 16 x 3"	2
15	195-106	WASHER - 1/2"	8
16	192-23	LOCKWASHER - 1/2"	7
17	195-104	WASHER - 3/8"	4
18	131-938	NUT - flange lock 3/8" - 16	1
19	129-105	NUT - 1/2" - 13	1
20	132-310	PIN - cotter 1/8" x 1"	2
21	C37595	SPRING - idler tension	1
22	C38864	PULLEY - idler (5018CD)	1
23	182-553	SCREW - machine #10 - 32 x 5/8"	2
24	C37521	SWITCH - safety	1
25	193-1000	NUT - lock # 10 - 32	2
26	C38594	ARM - deck lift L.H. (5018CD)	1
27	131-71	NUT - lock 1/4" - 20	4
28	129-103	NUT - 3/8" - 16	5
29	192-21	LOCKWASHER - 3/8"	3
30	113-213	BOLT - 3/8" - 16 x 2-1/4" (5018CD)	1
31	C37815	SPRING - lift assist	2
32	C37816	CABLE - lift	2
33	113-4	BOLT - 1/4" - 20 x 1"	4
34	C44250	ARM - deck R.H. (5020V)	1
34	C45099	ARM - deck L.H. (5020V)	1
35	C45095	ARM - idler (5020V)	1
36	C27501	BEARING - flange (5020V)	2
37	C25370	PULLEY - "V" idler (5020V)	1
38	C45102	BUSHING - pulley (5020V)	1
39	C45121	PULLEY - idler, flat (5020V)	1
40	131-938	NUT - 3/8" - 16 flange lock	1
41	195-104	WASHER - 3/8" (5020V)	1
42	192-20	LOCKWASHER	2
43	113-219	BOLT - 3/8" - 16 x 2" (5020V)	2
44	C44242	SPRING - extension (5020V)	1
45	113-103	BOLT - 5/16" - 18 x 1" (5020V)	1
46	131-911	NUT - 5/16" - 18 flange lock (5020V)	1
47	113-102	BOLT - 5/16" - 18 x 3/4"	2
48	131-1182	NUT - 1/2" - 13 lock (5020V)	1
49	195-533	WASHER - 1/2" (5020V)	1
50	C44403	GUARD - belt (5020V)	1



REF.	PART NO.	DESCRIPTION	REQ'D
1	C44954	BODY	1
2	C39534	FENDER - R.H. (shown) (5020V)	1
2	C40645	FENDER - L.H. (5020V)	1
3	C41163	COVER - back	1
4	C44844	BAR - handle (optional)	1
5	C37824	BEARING - rear wheel fork	2
6	C45084	BRACKET - support	2
7	C41944	STUD - fastener	1
8	C41945	GROMMET - fastener	1
9	C42053	PANEL - dash	1
10	C43012	MOUNT - rubber	2
11	193-1000	NUT - lock #10 - 32	2
16	131-71	NUT - 1/4" - 20 lock	4
17	113-102	BOLT - 5/16" x 18 x 3/4"	2
18	195-102	WASHER - 1/4"	4
19	131-911	NUT - 5/16" - 18 flange lock	2
20	131-1352	NUT - 3/8" - 16 flange lock	2
21	113-425	BOLT - 1/2" - 13 x 3"	4
22	131-70	NUT - 1/2" lock	4
24	C37818	MOUNT - body, rubber	8
25	C37581	WASHER - mount, body	4
26	C39524	PAD - fender (5020V)	2
27	C39525	PAD - footrest, front L.H.	1
27	C39526	PAD - footrest, front R.H. (shown)	1
28	C44955	PAD - footrest, rear L.H. (5018CD)	1
28	C44956	PAD - footrest, rear R.H. (5018CD)	1
28	C44957	PAD - footrest, rear L.H. (5020V)	1
28	C44958	PAD - footrest, rear R.H. (5020V)	1
29	C41175	SKIRT - L.H. (5018CD)	1
29	C41179	SKIRT - R.H. (5018CD)	1
29	C44975	SKIRT - L.H. (5020V)	1
29	C44977	SKIRT - R.H. (5020V)	1
30	113-118	BOLT - 5/16" - 18 x 5/8"	4
31	195-103	WASHER - 5/16"	4
32	131-911	NUT - 5/16" - 18 flange lock	8
33	C34808	BOLT - 1/4" - 20 x 3/4" self-tap (5018CD)	8
33	C42056	BOLT - 5/16" - 18 x 5/8" black	10
33	C42057	BOLT - 5/16" - 18 x 1-3/4" black	4
34	C44973	PLATE - face	1
35	131-971	NUT - #8 - 32 flange lock	2
36	C44035	TRIM - 27" (cut to length)	1
37	C35067	BUMPER - nylon	4
39	C37631	GRIP - handle	1
40	111-132	BOLT - 5/16" - 18 x 3/4" carriage	UAR
40	C42056	SCREW - 5/16" - 18 x 5/8" black	UAR
41	182-573	SCREW - #10 - 24 x 1/2"	4
41	C39403	SCREW - #12 x 1/2"	4
42	192-19	LOCKWASHER - 1/4"	8
43	C34117	NUT - #10 - 24 flange lock	2



EARLY MODELS

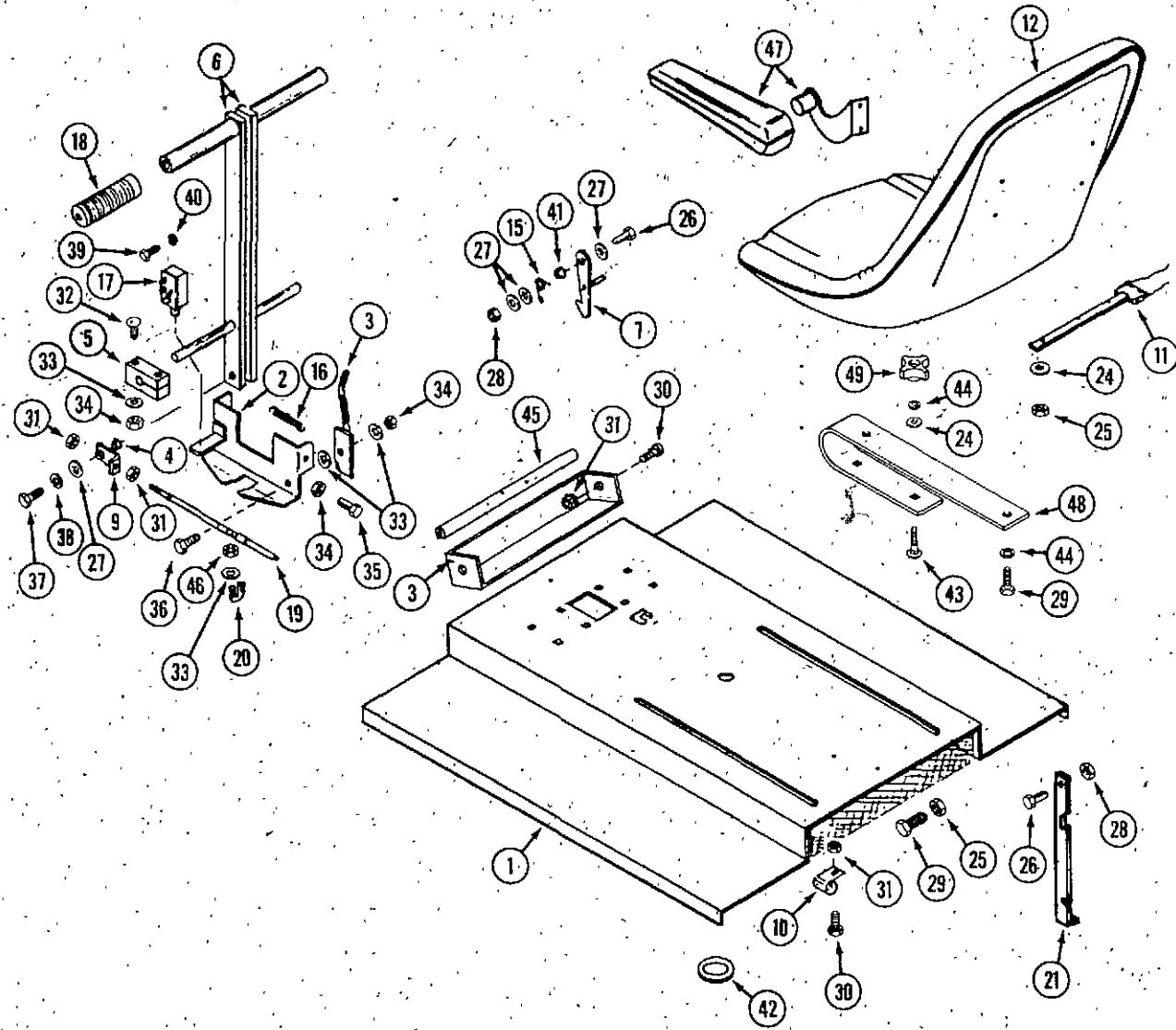


W48

REAR WEIGHTS

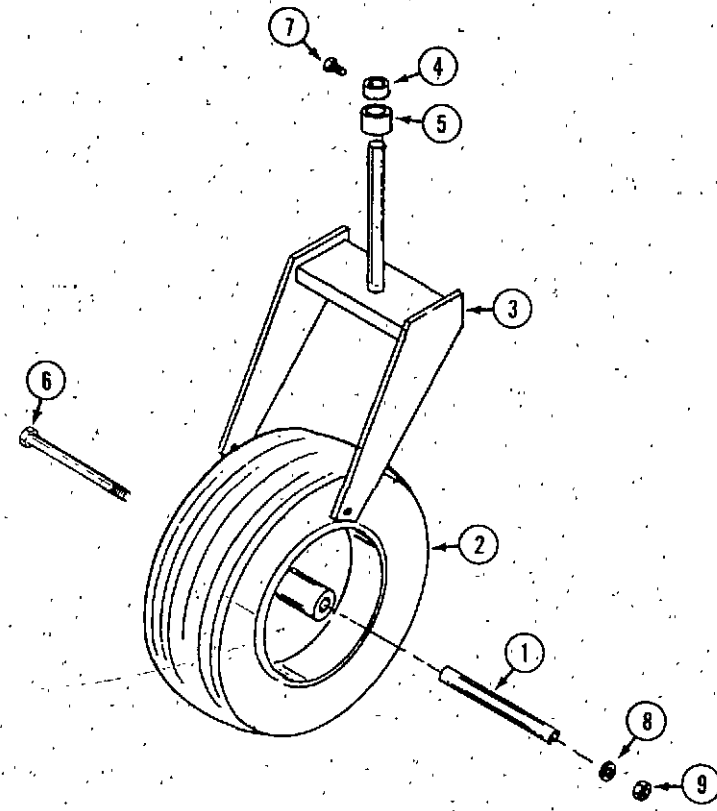
REF.	PART NO.	DESCRIPTION	REQ'D
1	C37810	WEIGHT - tail	1
2	C37958	WEIGHT - tail 13 lb.	2
3	113-103	BOLT - 5/16" - 18 x 1"	2
4	192-20	LOCKWASHER - 5/16"	2
5	195-103	WASHER - 5/16"	2
6	113-259	BOLT - 3/8" - .16 x 4-1/2"	2
7	131-1352	NUT - 3/8" - .16 flange lock	2
8	NSS	WEIGHT - tail 48 lb. (order as W48 wholegoods)	2
9	113-213	BOLT - 3/8" - 16 x 2-1/4"	2
10	195-525	WASHER - 3/8"	2
11	131-1352	NUT - 3/8" - 16 flange lock	2
12	113-650	BOLT - 5/8" - 11 x 6-1/2"	2
13	195-541	WASHER - 5/8"	4
14	131-356	NUT - 5/8" lock	2





SEAT LID AND STEERING

REF.	PART NO.	DESCRIPTION	REQ'D
1	C44237	LID - seat	1
2	C37840	BRACKET - lever lock	1
3	C37841	LATCH - lever lock	1
4	C42895	BUSHING - (also order C42896)	2
5	C37842	BEARING - block	4
6	C44915	LEVER - steering	2
7	C44481	LATCH - seat lid	1
9	C42896	BRACKET - steering cable end	4
10	C32455	RETAINER - harness, seat lid	1
11	C45537	SWITCH - seat	1
12	C43202	SEAT	1
13	C37826	PLATE - lid filler	1
15	C37851	SPRING - latch, seat lid	1
16	C37837	SPRING - bracket, lever lock	1
17	C37521	SWITCH - safety	1
18	C37631	GRIP - handle	2
19	NSS	CABLE - steering (5020V) (see page 29)	2
19	C37705	CABLE - steering (5018CD)	2
20	C37616	CLAMP - steering cable	2
21	C37852	PROP - seat lid	UAR
24	195-103	WASHER - 5/16"	8
25	131-69	NUT - 5/16"	4
26	113-4	BOLT - 1/4" - 20 x 1"	2
27	195-520	WASHER - 1/4"	3
28	131-71	NUT - 1/4" - 20 lock	3
29	113-103	BOLT - 5/16" - 18 x 1"	6
30	182-528	SCREW - # 10 - 32 x 1/2"	3
31	193-1000	NUT - # 10 - 32	7
32	111-114	BOLT - 1/4" - 20 x 1-1/2" carriage	8
33	195-102	WASHER - 1/4"	10
34	131-71	NUT - 1/4" - 20 lock	11
35	113-3	BOLT - 1/4" - 20 x 3/4"	2
36	C42359	BOLT 1/4" - 20 x 2"	1
37	113-3	BOLT - 1/4" - 20 x 3/4"	2
38	192-19	LOCKWASHER - 1/4"	2
39	182-525	SCREW - # 10 - 32 x 3/8"	1
40	192-18	LOCKWASHER - 3/16"	1
41	C44498	SPACER	1
42	C37787	GROMMET - 1/2" x 1"	UAR
42	C25165	GROMMET - 1" x 1-3/4"	UAR
43	111-204	BOLT - 5/16" - 18 x 1"	4
44	192-20	LOCKWASHER - 5/16"	8
45	C41956	TRIM - (23-1/2" piece, cut to length)	1
46	131-71	NUT - 1/4" - 20 lock	UAR
47	NSS	KIT - arm rest (optional) (order as machinery item GDS13)	-
	C22947	TIE - nylon	1
48	C43137	SPRING - seat	2
49	G43438	KNOB - seat	4

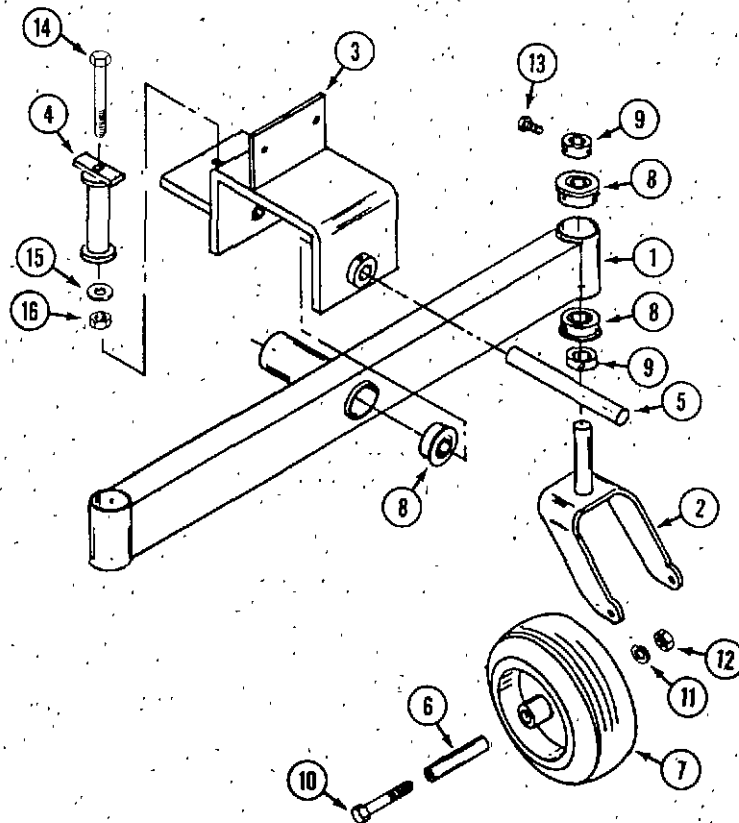


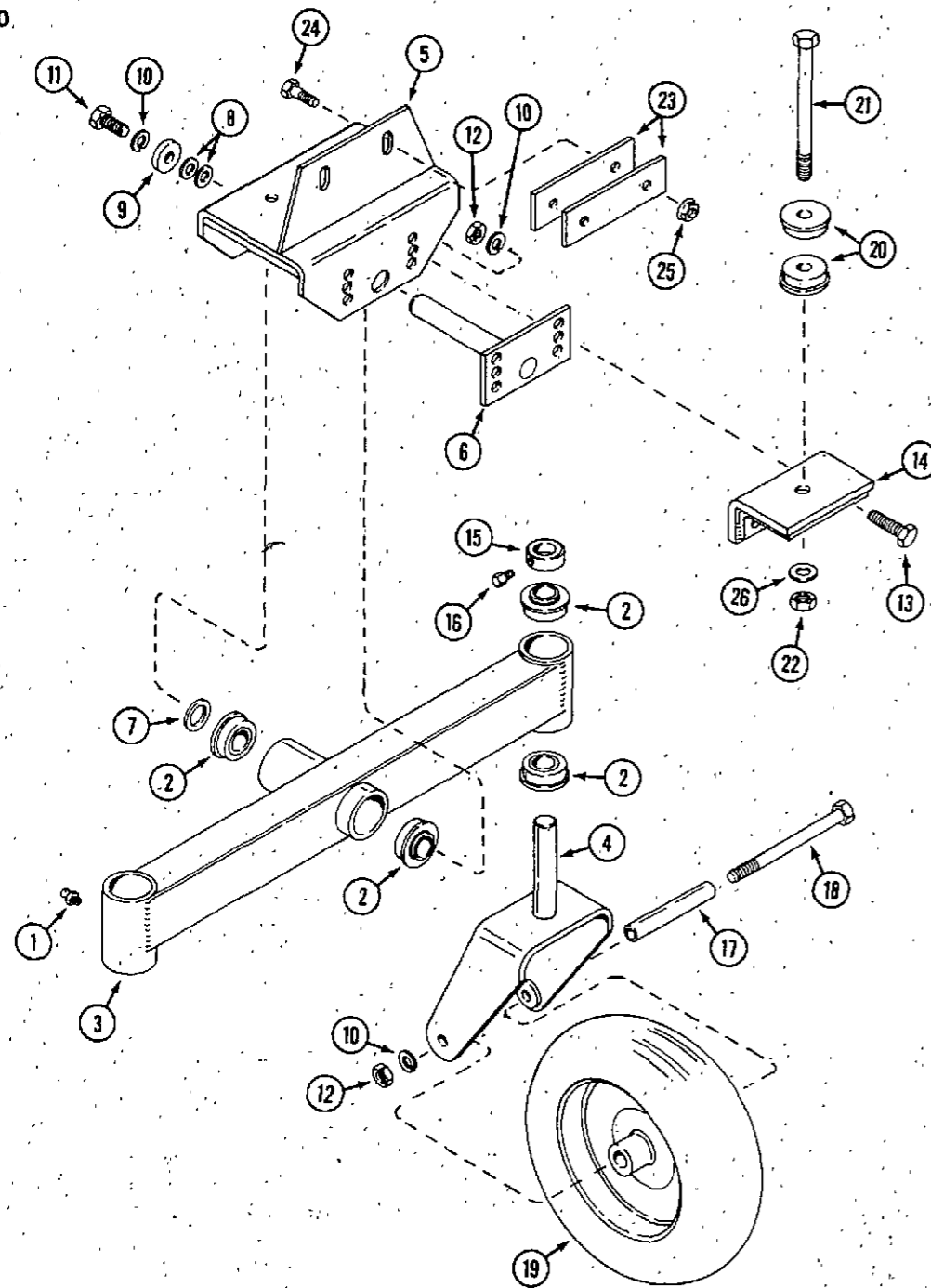
**SINGLE TAIL WHEEL**

REF.	PART NO.	DESCRIPTION	REQ'D
1	C37854	AXLE - wheel	1
2	C37855	WHEEL ASSEMBLY - tail	1
	C44499	BEARING - wheel	2
	C37857	TIRE - 16 x 6.50 - 8	1
	C37858	RIM - 8" (includes bearings)	1
3	C37859	FORK - tail wheel	1
4	C37860	COLLAR - set 1"	1
5	C37861	SPACER - tail wheel fork	1
6	113-452	BOLT - 1/2" - 13 x 9-1/2"	1
7	85-58	SCREW - set 5/16" - 18 x 1/2" square head	1
8	192-23	LOCKWASHER - 1/2"	1
9	129-105	NUT - 1/2" - 13	1
	219-92	FITTING - grease 90° 1/4" - 28 self tap (caster pivot)	1

**DUAL TAIL WHEEL (DW10)**

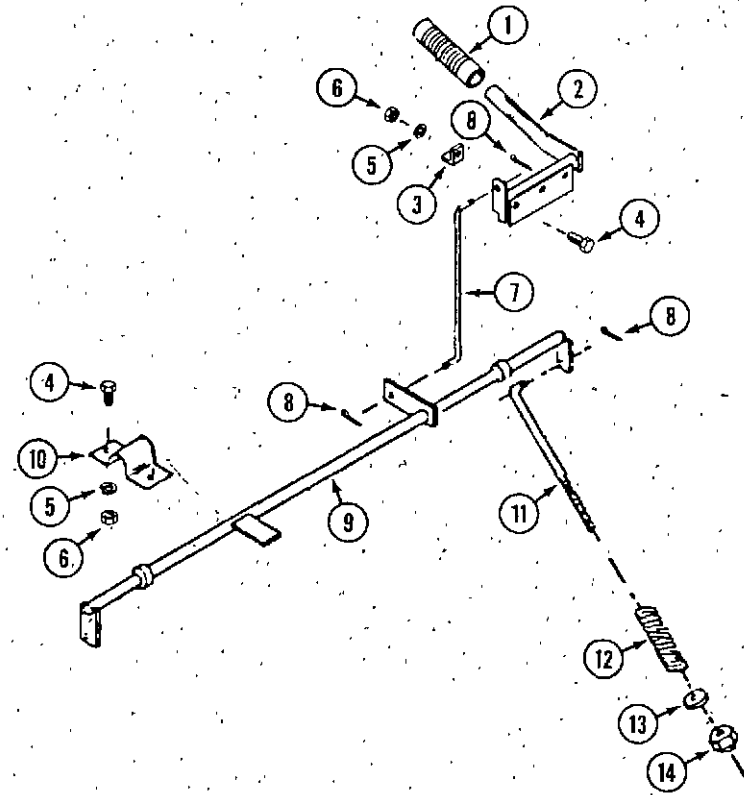
1	C37863	AXLE - dual wheel	1
2	NSS	FORK - tail wheel (use C45645 and 113-448)	2
3	C37865	BRACKET - mounting	1
4	C37866	TUBE - block	1
5	C38230	PIVOT - axle	1
6	C37915	AXLE - wheel	2
7	C37869	WHEEL ASSEMBLY	2
	C44499	BEARING - wheel	2
	C45636	TIRE - 13 x 5.00 - 6	2
	C45634	RIM -	2
8	C37824	BEARING - 1"	6
9	C37860	COLLAR - set 1"	4
10	113-2419	BOLT - 1/2" - 13 x 6-1/2"	2
11	192-23	LOCKWASHER - 1/2"	2
12	129-105	NUT - 1/2" - 13	2
13	C37756	SCREW - set 5/16" - 18 x 1/2" square head	4
	219-20	FITTING - grease 1/4" - 28 self tap (castor pivot)	UAR
14	C38055	BOLT - 1/2" - 13 x 8-1/2"	1
15	195-106	WASHER - 1/2"	UAR
16	131-70	NUT - 1/2" - 13 lock	1





**DTW10 DUAL TAIL WHEEL**

REF.	PART NO.	DESCRIPTION	REQ'D
1	219-20	FITTING - lubrication 1/4" - 28	3
2	C37824	BEARING - ball 1"	6
3	C45610	AXLE - dual wheel	1
4	C45645	FORK - wheel	2
5	C45618	MOUNT - axle	1
6	C45689	ROD - axle pivot	1
7	C14919	WASHER - 1" x 1-3/4"	UAR
8	195-2067	WASHER - 1/2" x 1"	UAR
9	C45841	WASHER - 1/2" x 1-3/8"	1
10	192-23	LOCKWASHER - 1/2"	5
11	113-417	BOLT - 1/2" - 13 x 1-1/4"	1
12	129-105	NUT - 1/2" - 13	4
13	113-412	BOLT - 1/2" - 13 x 1-3/4"	2
14	C45708	MOUNT - axle, front extension	1
15	C37860	COLLAR - set 1"	2
16	85-58	SCREW - set 5/16" - 18 x 1/2" square head	1
17	C37915	TUBE - axle	2
18	113-448	BOLT - 1/2" - 13 x 7"	2
19	C37869	WHEEL ASSEMBLY	2
	C44499	BEARING - wheel	2
	C45636	TIRE - 13 x 5.00 - 6	1
	C45634	RIM	1
20	C45711	BUSHING - tail wheel hub	2
21	113-646	BOLT - 5/8" - 11 x 7-1/2"	UAR
21	113-2606	BOLT - 5/8" - 11 x 11"	UAR
22	131-356	NUT - 5/8" - 11	1
23	C45746	PLATE - stiffener	2
24	113-208	BOLT - 3/8" - 16 x 1-1/4"	2
25	131-1352	NUT - 3/8" - 16 flange lock	2
26	195-541	WASHER - 5/8" x 1-1/2"	1

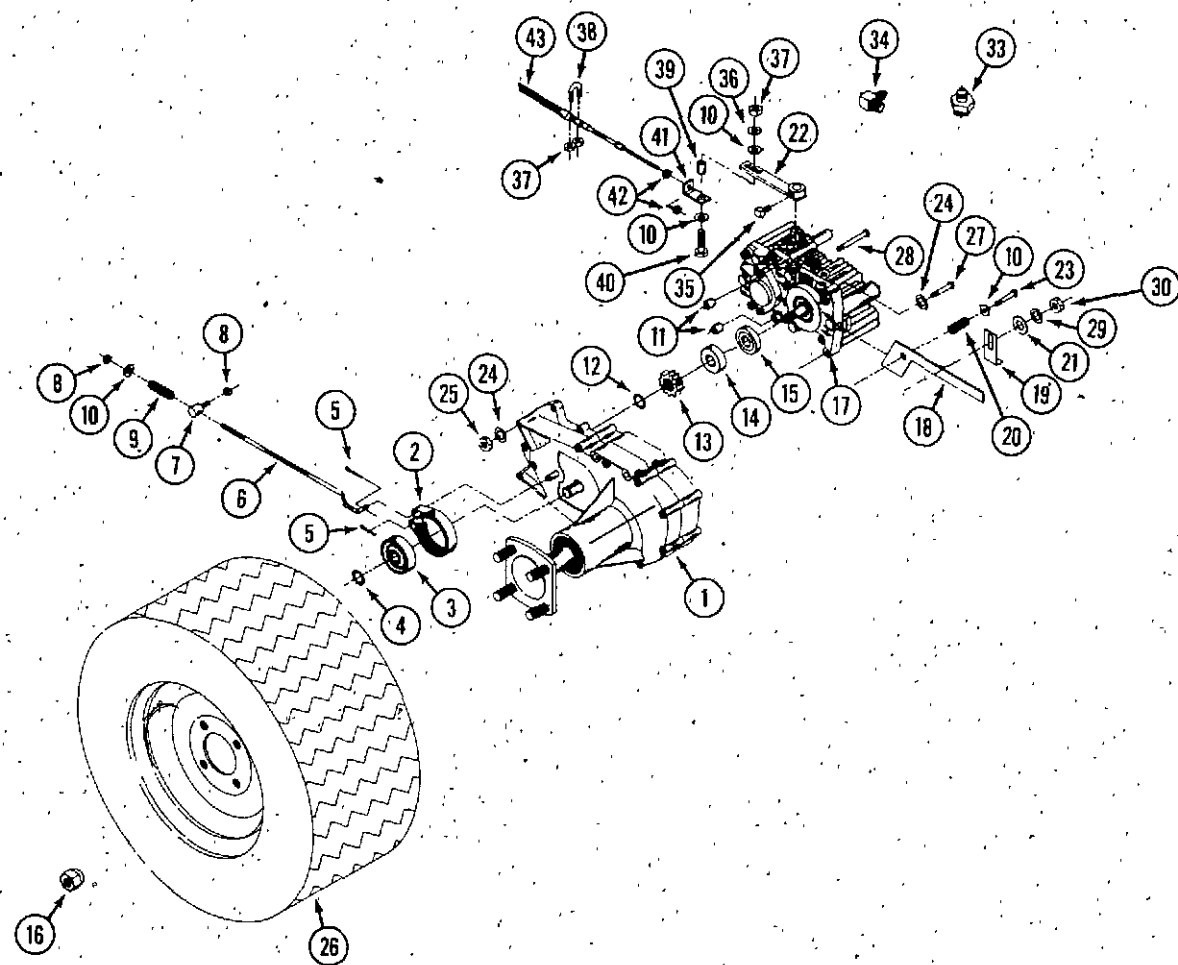


### PARKING BRAKE

(also see drive assembly)

REF.	PART NO.	DESCRIPTION	REQ'D
1	C37631	GRIP - handle	1
2	C37604	HANDLE - brake	1
3	C37630	BRACKET - stop (5020V)	1
4	113-3	BOLT - 1/4" - 20 x 3/4"	4
5	192-19	LOCKWASHER - 1/4"	4
6	129-101	NUT - 1/4" - 20	4
7	C37606	ROD - brake (5018CD)	1
7	C37822	ROD - brake (5020V)	1
8	132-332	PIN - cotter 3/32" x 1"	2
9	C37985	ROD - cross, brake (5018CD) (5020V brake rod not replacable)	1
10	C37607	BEARING - cross rod (5018CD)	2
11	C37986	ROD - caliper (5018CD) (5020V see drive assembly)	2
12	C37987	SPRING - compression (5018CD) (5020V see drive assembly)	2
13	195-102	WASHER 1/4"	2
14	131-71	NUT - lock 1/4" - 20	2

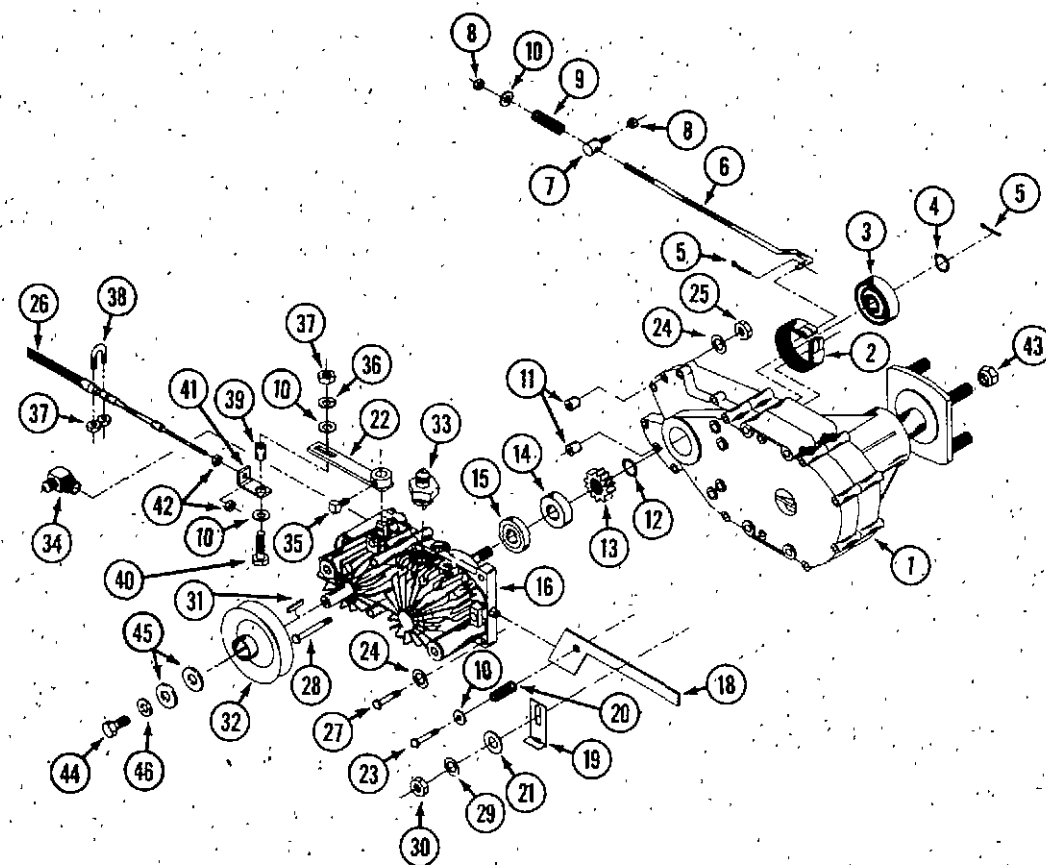
**DRIVE ASSEMBLY R.H.**  
**(5020V)**



REF.	PART NO.	DESCRIPTION	REQ'D
1	C46087	TRANSMISSION - ZT (see page 45 for parts)	1
2	C37730	BAND - brake	1
3	C37731	DRUM - brake	1
4	C37732	RING - snap	1
5	132-332	PIN - cotter 1/8" x 1"	2
6	C37733	ROD - brake	1
7	C37724	COLLAR - brake rod	1
8	131-71	NUT - lock 1/4" - 20	2
9	C37725	SPRING	1
10	195-102	WASHER - 1/4"	5
11	C37736	SPACER	2
12	C37737	RING - snap	1
13	C37738	GEAR	1
14	C37739	BEARING	1
15	C37740	SPACER	1
16	C37657	NUT - lug 1/2" - 20	4
17	C45399	PUMP - hydro R.H. (see page 47)	1
18	C45166	LEVER - transmission dump	1
19	C37743	BRACKET - dump lever stop	1
20	C37744	SPRING - compression	1
21	195-104	WASHER - 3/8"	1
22	NSS	ARM - transmission (see page 29)	1
23	C37747	BOLT - dump valve	1
24	192-21	LOCKWASHER - 5/16"	4
25	129-103	NUT - 5/16" - 18	2
26	C37763	WHEEL ASSEMBLY	1
	C37652	TIRE - 18 x 9.50 - 8	1
	C37656	RIM - wheel	1
27	113-120	BOLT - 5/16" - 18 x 1-3/4"	2
28	113-134	BOLT - 5/16" - 18 x 7-1/2"	2
29	192-21	LOCKWASHER - 3/8"	1
30	129-103	NUT - 3/8" - 16	1
33	C37754	ADAPTER -	1
34	218-5278	ADAPTER - 90	1
35	C37756	SCREW - set 5/16" - 18 x 1/2" square head	1
36	192-19	LOCKWASHER - 1/4"	1
37	131-1102	NUT - 1/4" - 20	3
38	C37616	CLAMP - cable	1
39	C42895	BUSHING - cable	1
40	113-4	BOLT - 1/4" - 20 x 1"	1
41	C42896	BRACKET - cable end	1
42	193-1000	NUT - lock # 10 - 32	4
43	NSS	CABLE - steering 58" (see page 29)	1

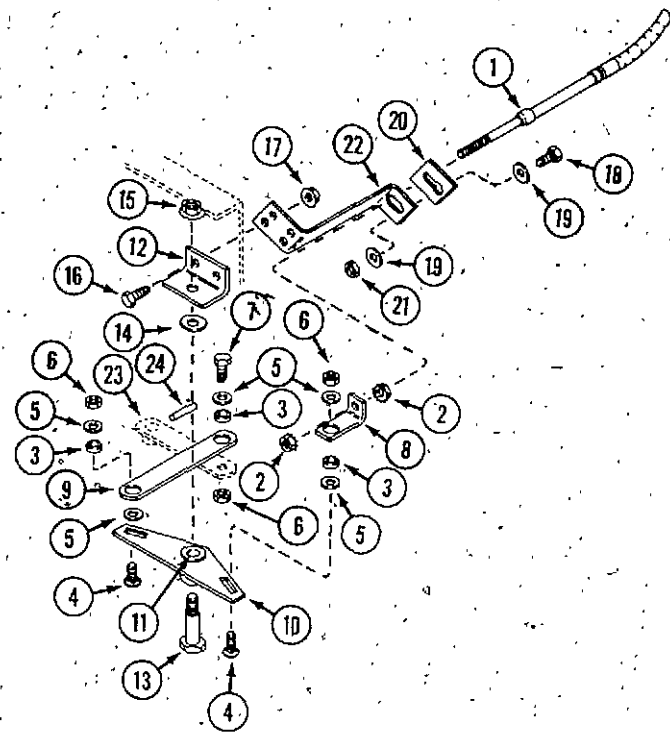
NOTE: See page 29 for steering cable kit.

**DRIVE ASSEMBLY L.H.**  
(5020V)



REF.	PART NO.	DESCRIPTION	REQ'D
1	C46087	TRANSMISSION - ZT (see page 45 for parts)	1
2	C37730	BAND - brake	1
3	C37731	DRUM - brake	1
4	C37732	RING - snap	1
5	132-332	PIN - cotter 1/8" x 1"	2
6	C37733	ROD - brake	1
7	C37724	COLLAR - rod	1
8	131-71	NUT - lock 1/4" - 20	2
9	C37725	SPRING	1
10	195-102	WASHER - 1/4"	5
11	C37736	SPACER	2
12	C37737	RING - snap	1
13	C37738	GEAR	1
14	C37739	BEARING	1
15	C37740	SPACER	1
16	C45398	PUMP - hydro L.H. (see page 47)	1
18	C45165	LEVER - transmission dump	1
19	C37743	BRACKET - dump lever stop	1
20	C37744	SPRING - compression	1
21	195-103	WASHER - 3/8"	1
22	NSS	ARM - transmission (see page 29)	1
23	C37747	BOLT - dump lever	1
24	192-21	LOCKWASHER - 5/16"	4
25	129-103	NUT - 5/16" - 18	2
26	NSS	CABLE - steering 58" (see page 29)	1
27	113-120	BOLT - 5/16" - 18 x 1-3/4"	2
28	113-134	BOLT - 5/16" - 18 x 7-1/2"	2
29	192-21	LOCKWASHER - 3/8"	1
30	129-103	NUT - 3/8" - 16	1
33	C37754	FITTING - male adapter	1
34	218-5278	FITTING - male adaptor 90°	1
35	C37756	SCREW - set 5/16" - 18 x 1/2" square head	1
36	192-19	LOCKWASHER - 1/4"	1
37	131-1102	NUT - 1/4" - 20	3
38	C37616	CLAMP - cable	1
39	C42895	BUSHING - cable	1
40	113-4	BOLT - 1/4" - 20 x 1"	1
41	C42896	BRACKET - cable end	1
42	193-1000	NUT - lock #10 - 32	4
	C37763	WHEEL ASSEMBLY - not shown	1
	C37652	TIRE - 18 x 9.50-8	1
	C37656	RIM - wheel	1
43	C37657	NUT - lug 1/2" - 20	4

NOTE: See page 29 for steering cable kit.



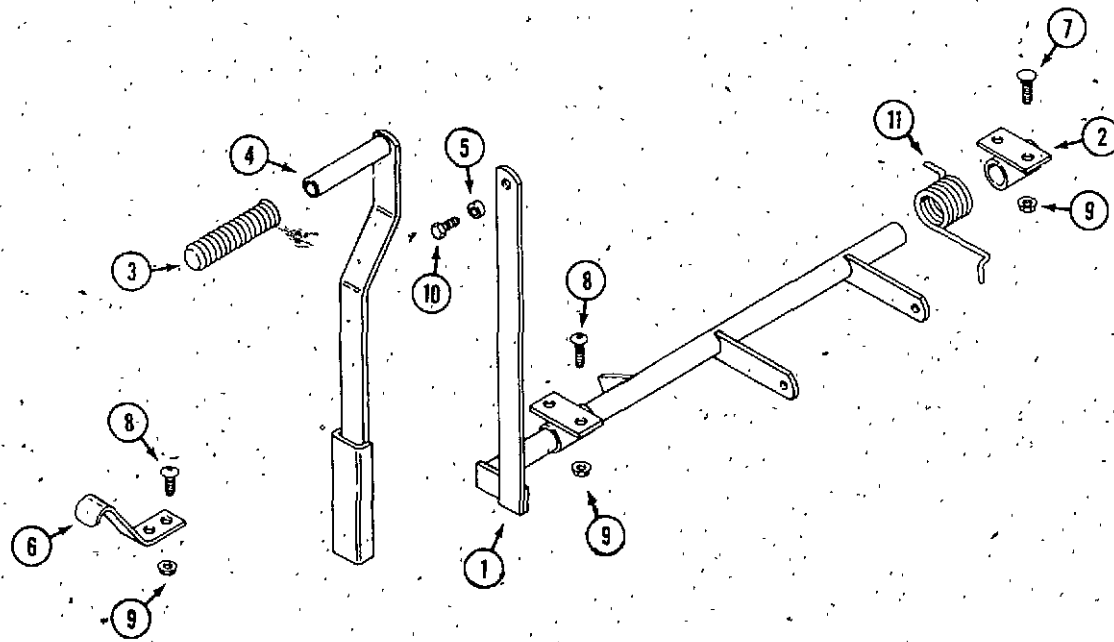
**C43293 STEERING CABLE KIT (5020V)**

(includes cables and hardware for both sides)

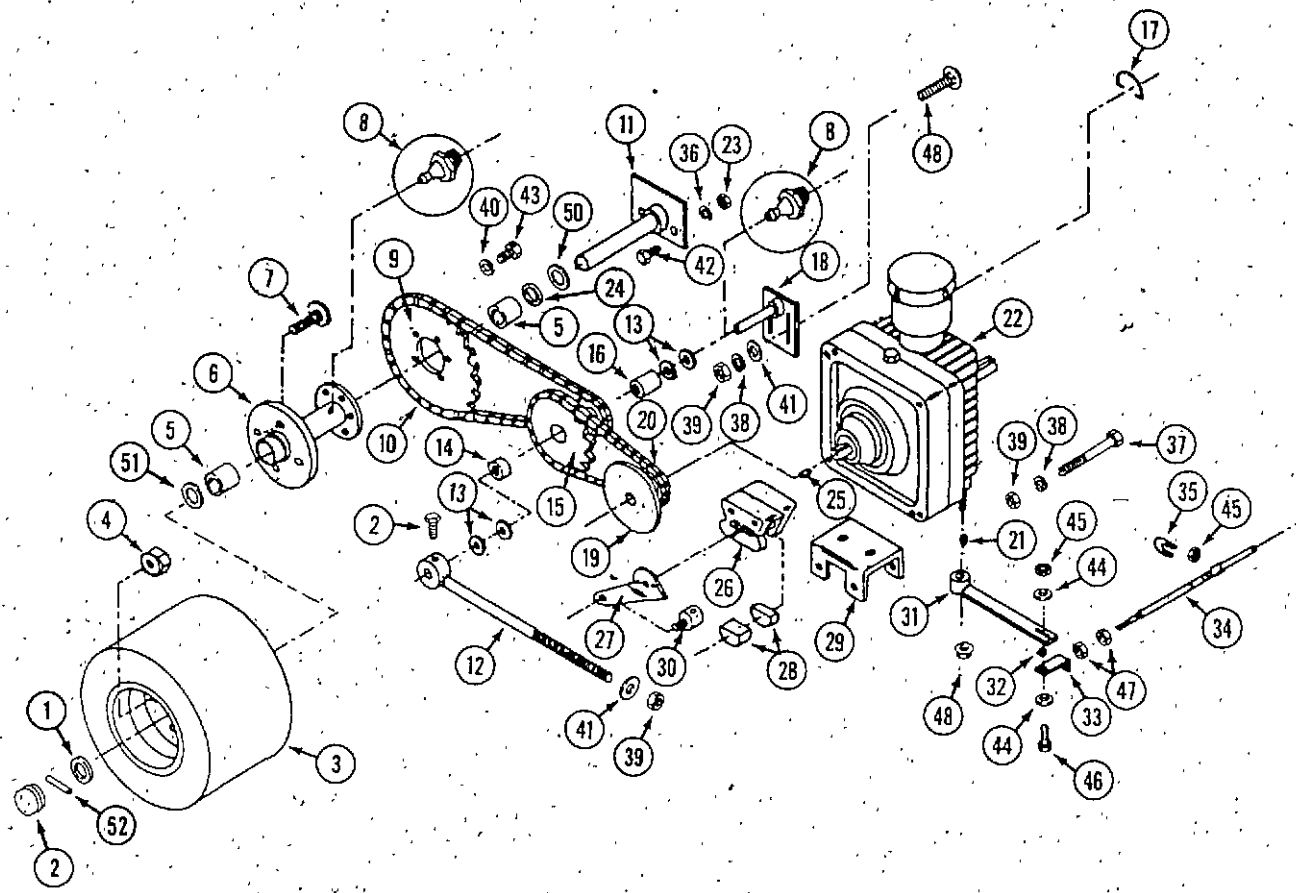
REF.	PART NO.	DESCRIPTION	REQ'D
1	C42894	CABLE - steering 46"	2
2	193-1000	NUT - #10 - 32	8
3	C42895	BUSHING - steering cable	8
4	111-111	BOLT - 1/4" - 20 x 1" carriage	4
5	195-102	WASHER - 1/4"	10
6	131-71	NUT - 1/4" - 20	6
7	113-4	BOLT - 1/4" - 20 x 1"	2
8	C42896	BRACKET - steering cable end	4
9	C42897	LINK - control cable	2
10	C42898	BELLCRANK	2
11	C16714	BUSHING	1
12	C42901	BRACKET - bellcrank mounting	2
13	C16745	BOLT - shoulder	2
14	195-533	WASHER - 1/2"	2
15	131-1352	NUT - 3/8" - 16 flange lock	2
16	113-103	BOLT - 5/16" - 18 x 1"	4
17	131-911	NUT - 5/16" - 18	4
18	113-4	BOLT - 1/4" - 20 x 1"	2
19	195-102	WASHER - 1/4"	4
20	C42903	PLATE - cable mounting	2
21	131-71	NUT - 1/4" - 20 lock	2
22	C42902	BRACKET - cable mounting	2
23	C42904	ARM - transmission	2
24	C34173	PIN - spring	2

**LIFT LEVER**

1	C44942	LEVER - lift	1
2	C44948	PIVOT - lift	1
3	C37631	GRIP - handle	1
4	C44949	EXTENSION - lift lever, upper	1
5	C42895	BUSHING	1
6	C44952	BRACKET - lever lock down	1
7	111-132	BOLT - carriage 5/16" - 18 x 3/4"	4
8	C42056	SCREW - 5/16" - 18 x 5/8" allen head	2
8	C44959	SCREW - 5/16" - 18 x 3/4"	4
9	131-911	NUT - 5/16" - 18 flange lock	8
10	113-1	BOLT - 1/4" - 20 x 1/2"	1
11	C45120	SPRING - torsion	1



**TRANSMISSION AND DRIVE CHAINS  
(5018CD)**

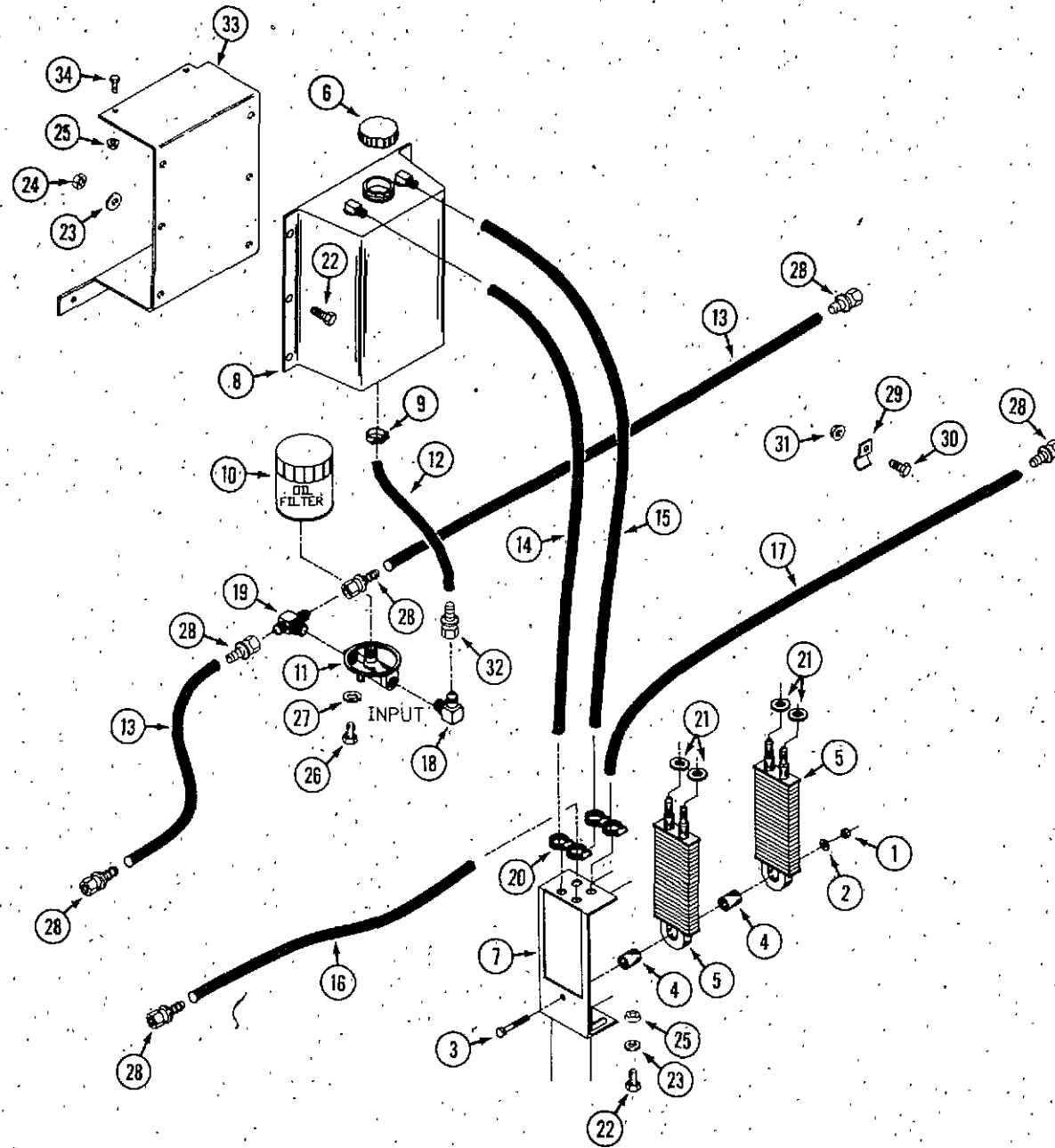


REF.	PART NO.	DESCRIPTION	REQ'D
1	C46058	SPACER - hub	2
2	C28317	CAP - hub	2
3	C45887	WHEEL ASSEMBLY - drive	2
	C37652	TIRE - 16 x 7.50 - 8	1
	C45888	RIM - wheel	1
4	C37657	NUT - lug 1/2" - 20	8
5	C45928	BEARING - wheel hub	4
6	C45933	HUB - wheel	1
7	C37661	BOLT - lug 1/2" - 20 x 1-1/4"	4
8	219-20	FITTING - grease 1/4" - 28 self tapping	1
9	C37994	SPROCKET - final drive	1
10	C45927	CHAIN - final drive	1
11	C45929	AXLE - drive wheel	1
12	C37998	COLLAR - support	2
13	C37999	WASHER - 3/4" 10 ga.	8
14	C38000	BEARING - idler sprocket 1/2"	2
15	C38002	SPROCKET - idler (includes bearings)	1
16	C38003	BEARING - idler sprocket 3/4"	2
17	C38004	CLIP - transmission dump valve	2
18	C38005	SHAFT - idler sprocket	2
19	C38006	SPROCKET - transmission (includes brake disc)	2
20	C44083	CHAIN - primary drive	2
21	126-6	KEY - 1/8" x 3/8" Woodruff	2
22	C38008	TRANSMISSION L.H. (shown) (CW)	1
22	C38009	TRANSMISSION - R.H. (CCW)	1
	C38010	DIAPHRAGM - transmission	1
	C38011	KIT - seal	1
	C38012	KIT - reservoir, transmission	1
23	129-105	NUT - 1/2" - 13	4
24	C32891	SEAL - oil	2
25	126-9	KEY - woodruff 1/8" x 1/2"	2
	C37626	BRAKE ASSEMBLY - L.H.	1
	C37625	BRAKE ASSEMBLY - R.H.	1
26	NSS	CALIPER - brake	1
27	C38016	LEVER - caliper L.H.	1
27	C38017	LEVER - caliper R.H.	1
28	C37627	PAD - brake (set)	1
29	C38018	BRACKET - caliper	1
30	C37724	COLLAR - caliper rod	1
31	C37698	ARM - transmission L.H.	1
31	C37699	ARM - transmission R.H.	1
32	C42895	BUSHING - cable end	2
33	C42896	END - steering cable	2
34	C37705	CABLE - steering	2
35	C37616	CLAMP - steering cable	2
36	192-23	LOCKWASHER - 1/2"	4
37	113-241	BOLT - 3/8" - 16 x 3"	8
38	192-21	LOCKWASHER - 3/8"	8
39	129-103	NUT - 3/8" - 16	8
40	192-20	LOCKWASHER - 5/16"	5
41	195-104	WASHER - 3/8"	4
42	113-412	BOLT - 1/2" - 13 x 1-3/4"	4
43	113-103	BOLT - 5/16" 18 x 1"	5
44	195-102	WASHER - 1/4"	4
45	131-71	NUT - 1/4" - 20 lock	6
46	113-4	BOLT - 1/4" - 20 x 1"	2
47	193-1000	NUT - #10 - 32 lock	4
48	111-366	BOLT - carriage 3/8" - 16 x 1-1/4"	4
49	131-1352	NUT - 3/8" - 16 flange lock	2
50	C15557	SHIM - .050"	2
51	C15556	SHIM - .010"	2
52	138-138	PIN - roll 1/4" x 1-1/2"	1





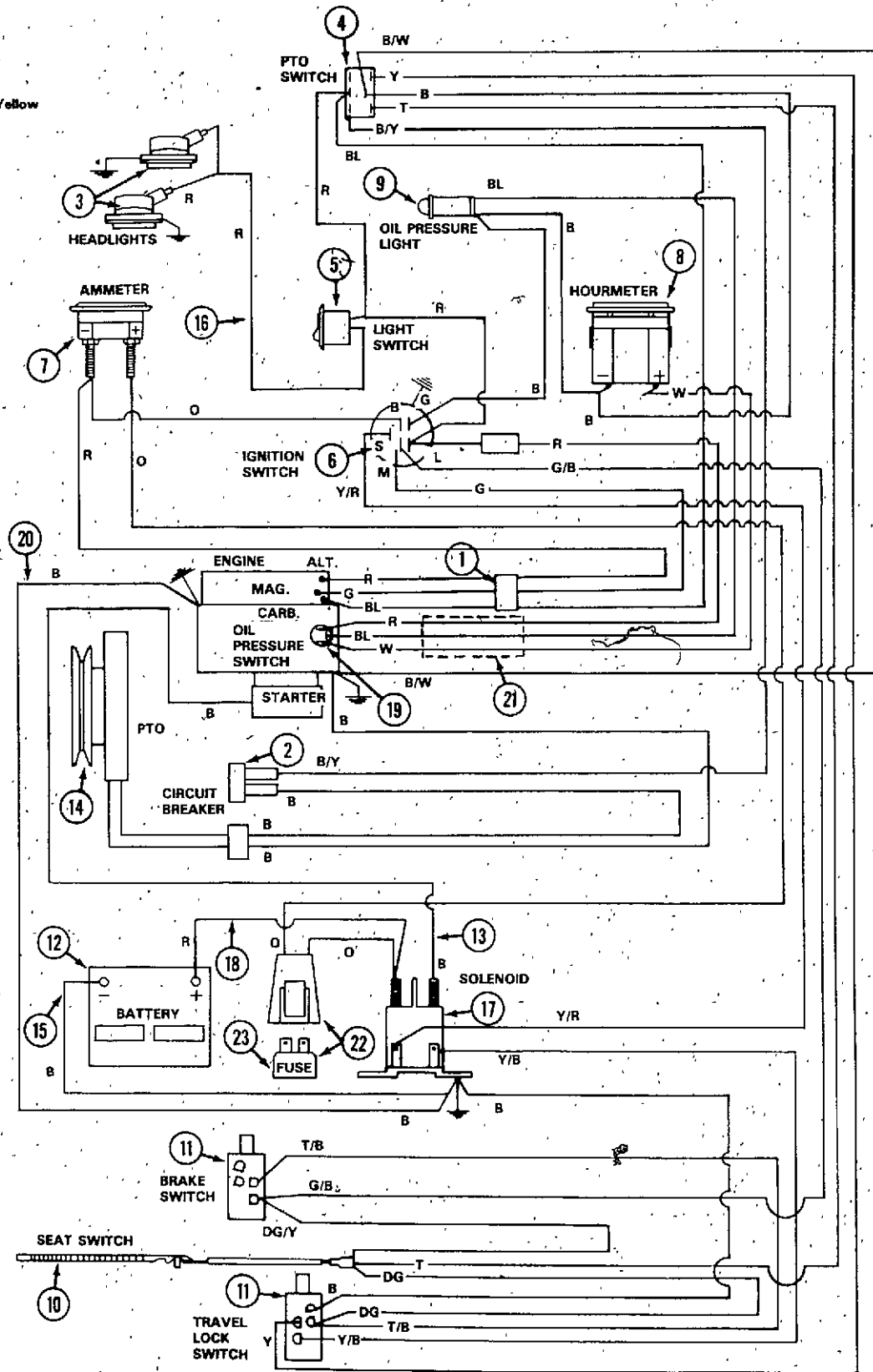
**HYDRAULIC SYSTEM  
(5020V)**



REF.	PART NO.	DESCRIPTION	REQ'D
1	131-69	NUT - lock 5/16"	1
2	195-103	WASHER - 5/16"	1
3	113-119	BOLT - 5/16" - 18 x 2-3/4"	1
4	C45495	BUSHING - rubber	2
5	C37769	COOLER - oil	2
6	C37639	CAP - oil tank	1
7	C37772	MOUNT - oil cooler	1
8	C37778	TANK - oil	1
9	214-254	CLAMP - hose 5/8"	2
10	C37637	FILTER - oil	1
11	C37636	HEAD - oil filter	1
12	C42785	HOSE - 5/8" x 11" (12" cut to length)	1
13	C42784	HOSE - hydraulic 3/8" x 13" (48" cut to length)	1
14	C42784	HOSE - hydraulic 3/8" x 29" (48" cut to length)	1
15	C42784	HOSE - hydraulic 3/8" x 27" (48" cut to length)	1
16	C42784	HOSE - hydraulic 3/8" x 38" (48" cut to length)	1
17	C42784	HOSE - hydraulic 3/8" x 24" (48" cut to length)	1
18	218-5280	FITTING - male 90° adapter	1
19	218-5182	FITTING - male tee adapter	1
20	214-274	CLAMP - hose 3/8"	4
21	C37787	GROMMET - 1/2" ID x 1" OD	4
22	113-3	BOLT - 1/4" - 20 x 3/4"	6
23	195-102	WASHER - 1/4"	8
24	131-1102	NUT - 1/4" - 20 lock	4
25	131-934	NUT - 1/4" - 20 flange lock	2
26	C34808	BOLT - 1/4" - 20 x 3/4" self-tap	2
27	192-19	LOCKWASHER - 1/4"	2
28	C41986	FITTING - 3/8" hose barb x 3/8" FM JIC	6
29	C32455	CLIP - "J"	1
30	113-102	BOLT - 5/16" x 18 x 3/4"	1
31	131-911	NUT - 5/16" - 18 flange lock	1
32	C41978	FITTING - 5/8" hose barb x 1/2" FM JIC	1
33	C46083	MOUNT - oil tank	1
34	113-3	BOLT - 1/4" - 20 x 1/2"	4

**WIRE COLOR CODE**

- DG - Dark Green
- T/B - Tan/Black
- B - Black
- Y/B - Yellow/Black
- Y - Yellow
- T - Tan
- DG/Y - Dark Green/Yellow
- O - Orange
- Y/R - Yellow/Red
- B/W - Black/White
- BL - Blue
- B/Y - Black/Yellow
- G/B - Green/Black
- R - Red
- G - Green
- W - White



REF.	PART NO.	DESCRIPTION	REQ'D
	C45535	HARNESS - wire, main	1
1	C45539	HARNESS - wire, alternator and magneto	1
2	C37505	BREAKER - circuit, 10 amp	1
3	C32178	HEADLIGHT	2
	C22573	LENS - headlight	1
	C37508	BULB - headlight	1
	C37509	RECEPTAL	1
	C14304	GASKET - headlight	1
4	C31937	SWITCH - PTO (also use C31619 Cap)	1
	C44469	NUT - 1/2" - 27 (Black) PTO switch retaining	2
5	C43044	SWITCH - headlight	1
6	C30267	SWITCH - ignition	1
	C32407	KEY - ignition	1
	C32397	CAP - nut, ignition switch	1
	193-63	LOCKWASHER - 5/8"	1
	C32396	NUT - 5/8" - 32 ignition switch	1
7	C29413	AMMETER	1
8	C45917	METER - hour	1
9	C45536	LIGHT - oil	1
10	C45537	SWITCH - seat	1
11	C37521	SWITCH - safety	2
	182-525	SCREW - #10 - 32 x 3/8" (safety switch mount)	1
	192-18	LOCKWASHER - 3/16" (safety switch mount)	1
	193-1000	NUT - #10 - 32 Lock (safety switch mount)	2
	182-528	SCREW - #10 - 32 x 1/2" (safety switch mount)	2
12	C41010	BATTERY - 12 volt	1
13	C44261	WIRE - starter	1
14	C37511	CLUTCH - PTO	1
15	C37528	CABLE - ground	1
16	C44075	WIRE - headlight	1
17	C33024	SOLENOID - start	1
	113-3	BOLT - 1/4" - 20 x 3/4" (solenoid mounting)	2
	131-934	NUT - 1/4" - 20 (solenoid mounting)	2
	192-19	LOCKWASHER - 1/4" (solenoid studs)	2
	129-101	NUT - 1/4" - 20 (solenoid studs)	2
18	C37523	CABLE - battery positive to solenoid	1
19	C37531	SWITCH - oil light	1
20	C41643	WIRE - ground	1
	C42240	HARNESS - oil pressure switch	1
	C31947	KIT - fuse holder	1
23	C30260	FUSE - 30 amp	1

5018CD

5020V

INGERSOLL

Lubrication reference guide

CAUTION! TRANSMISSION COOLER MUST BE KEPT CLEAN  
SEE OPERATORS MANUAL

**OPERATION OF CONTROLS**  
CONTROL THE SPEED THROUGH THE USE OF TRANSMISSION CONTROL ONLY.

CAUTION! READ OPERATING MANUAL BEFORE OPERATING THIS MACHINE

FORWARD  
NEUTRAL  
REVERSE

PTO ON

OIL

CHOKE

LIGHTS

THROTTLE

OFF ON

FAST SLOW

START

UNLOCK LOCK

RUN  
PARK

**WARNING**

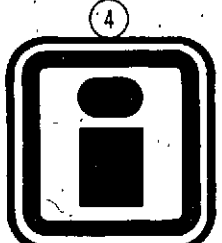
READ OPERATOR'S MANUALS  
KNOW LOCATION & FUNCTION OF ALL CONTROLS  
KEEP ALL GUARDS, SHIELDS & SAFETY SWITCHES IN PLACE & WORKING  
CLEAN WORKING AREA OF TRIMMERS THAT COULD BE THROWN BY THE BLADES  
DO NOT SHOW CHILDREN OR OTHERS AROUND MOWER CUTTING CAPABLE  
LOOK DOWN & BEHIND BEFORE AND WHILE BACKING UP AND DOWN BLADES, NOT FORWARD  
IF MACHINE STOPS COMING UPWARD, STOP BLADES AND BACK DOWN SLOWLY  
AVOID WINDUP FLARE  
FAILURE TO OBSERVE THESE PRECAUTIONS COULD RESULT IN SERIOUS INJURY OR DEATH

**CAUTION**

THIS MACHINE HAS AN IGNITION INTERLOCK SAFETY SYSTEM. ALL CONTROLS MUST BE IN NEUTRAL BEFORE THE ENGINE WILL START.

**DANGER**

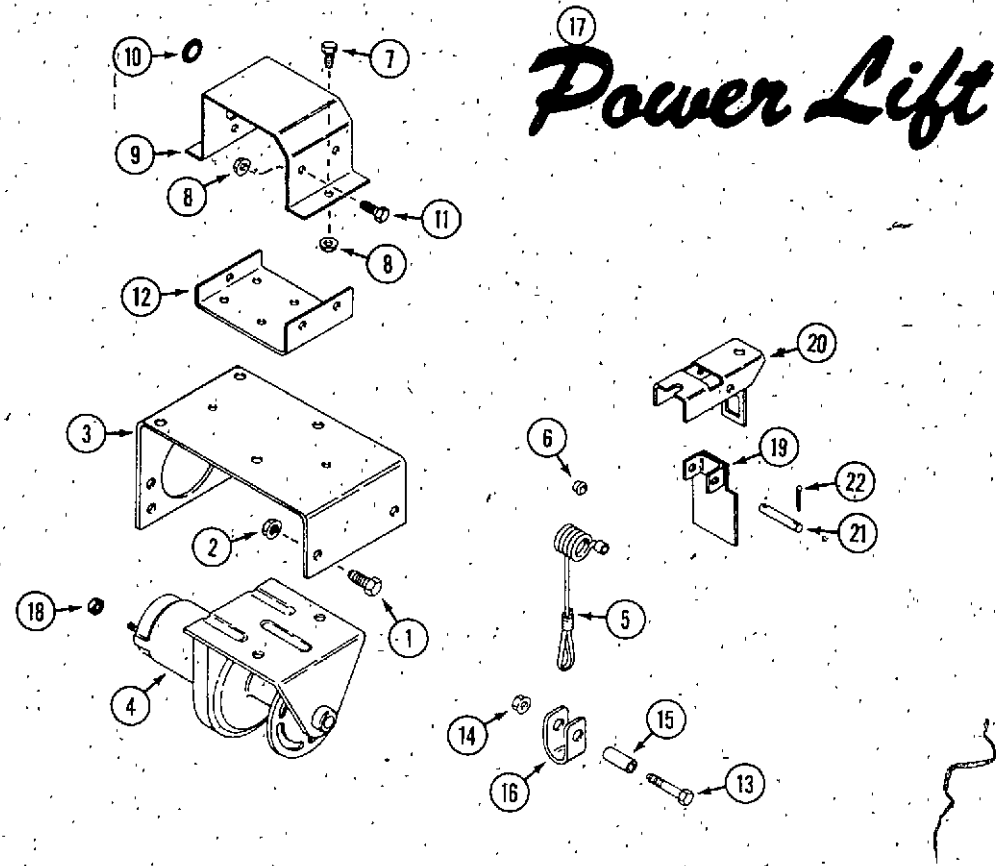
ENGINES PRODUCE CARBON MONOXIDE WHICH IS AN ODORLESS DEADLY POISON. DO NOT OPERATE IN AN ENCLOSED AREA.



DECALS

REF.	PART NO.	DESCRIPTION	REQ'D
1	C39527	DECAL - front side R.H. (shown)	1
1	C39528	DECAL - front side L.H.	1
2	C46060	DECAL - rear side L.H. (5018CD)	1
2	C46061	DECAL - rear side R.H. (5018CD) shown	1
3	C40954	DECAL - instrument panel	1
4	C37464	MEDALLION - "Ingersoll"	1
5	C37495	DECAL - operation	1
6	C37496	DECAL - caution interlock	1
7	C37502	DECAL - unlock/lock	1
8	C37498	DECAL - run/park	1
9	C37500	DECAL - danger carbon monoxide	1
10	C38807	DECAL - lubrication	1
11	C37504	DECAL - clean cooler	1
12	C44340	DECAL - "WARNING"	1
13	C46068	DECAL - rear side L.H. (5020V)	1
13	C46069	DECAL - rear side R.H. (5020V) shown	1

# Power Lift

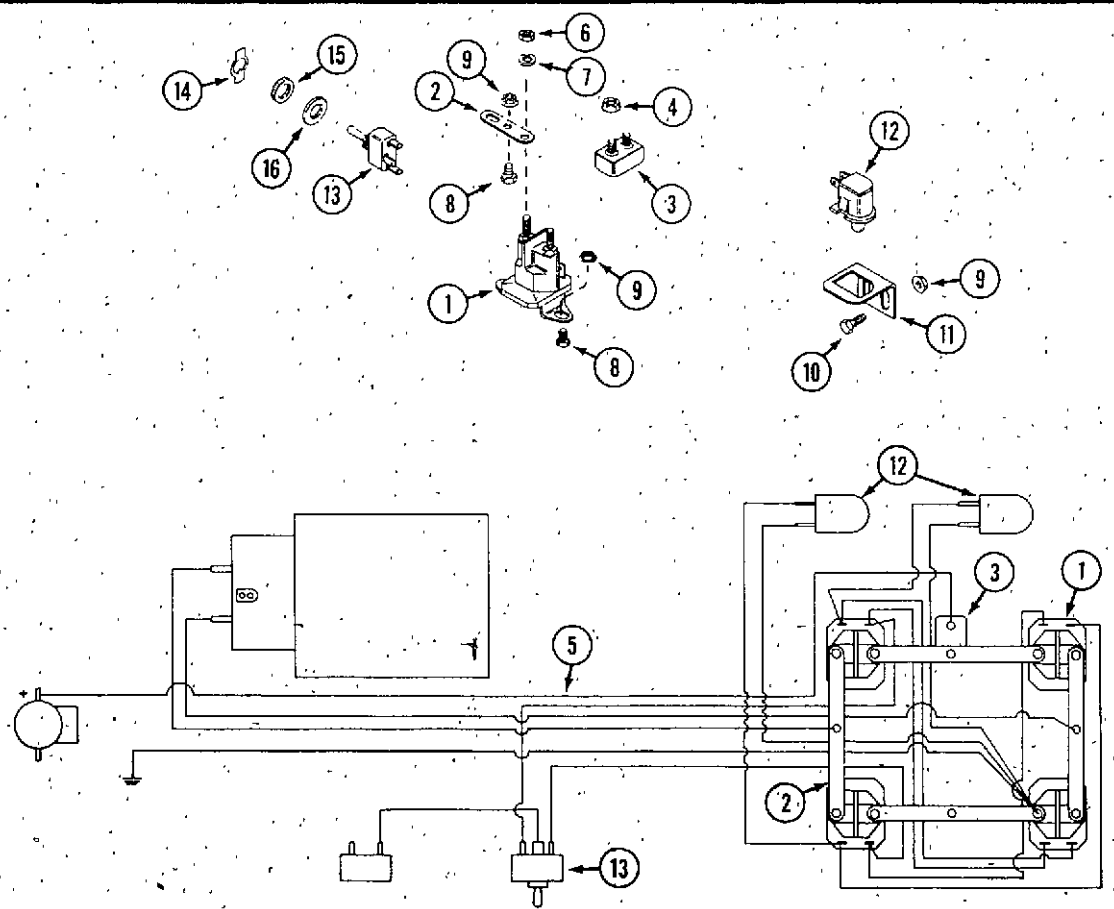


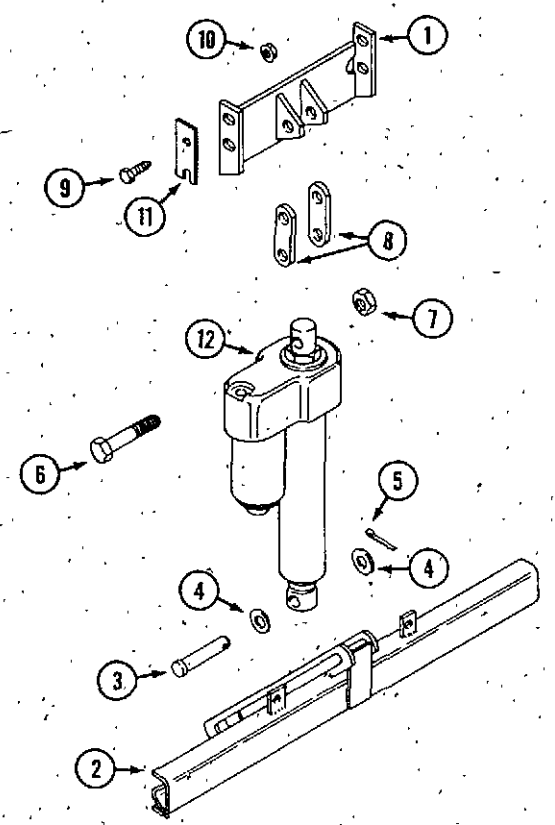
## ELECTRIC DECK LIFT WINCH STYLE

REF.	PART NO.	DESCRIPTION	REQ'D
1	113-207	BOLT - 3/8" - 16 x 1"	6
1	C44489	SCREW - 3/8" - 16 x 1" socket head	2
2	131-938	NUT - 3/8" - 16 flange lock	8
3	C43967	MOUNT - winch	1
4	NSS	WINCH - deck lift (order complete kit from wholegoods)	1
5	C43375	CABLE	1
6	C43992	PIN - cable keeper	1
7	113-3	BOLT - 1/4" - 20 x 3/4"	2
8	131-934	NUT - 1/4" - 20 flange lock	5
9	C43962	COVER - solenoid	1
10	C43964	GROMMET - 1" x 7/8"	1
11	113-1	BOLT - 1/4" - 20 x 1/2"	3
12	C43963	MOUNT - solenoid	1
13	113-219	BOLT - 3/8" - 16 x 2"	1
14	131-1352	NUT - 3/8" - 16 lock	1
15	C43961	SPACER	1
16	C43960	STRAP - lift	1
17	C43412	DECAL - "Power Lift"	1
18	193-1000	NUT - #10 - 32	2
19	C44361	ARM - trip	1
20	C44364	MOUNT - trip arm	1
21	C44367	PIN - pivot	1
22	132-6	PIN - cotter 1/16" x 5/8"	2

## ELECTRICAL ASSEMBLY (DECK LIFT) WINCH STYLE

1	C33024	SOLENOID - 12V	4
2	C43966	STRAP	4
3	C43983	BREAKER - 40 amp, 12V	1
4	193-1000	NUT - #10 - 32	2
5	C43969	HARNESS - wire	1
6	129-101	NUT - 1/4" - 20	8
7	192-19	LOCKWASHER - 1/4"	8
8	113-1	BOLT - 1/4" - 20 x 1/2"	8
9	131-934	NUT - 1/4" - 20 flange	10
10	113-3	BOLT - 1/4" - 20 x 3/4"	2
11	C43965	BRACKET - switch	2
12	C33744	SWITCH - limit	2
13	C43985	SWITCH - lift	1
14	NSS	PLATE - switch identification (early production)	1
14	C44495	DECAL - switch identification (current production)	1
15	C44471	NUT - 15/32" - 32, switch	1
16	195-529	WASHER - 1/2"	1



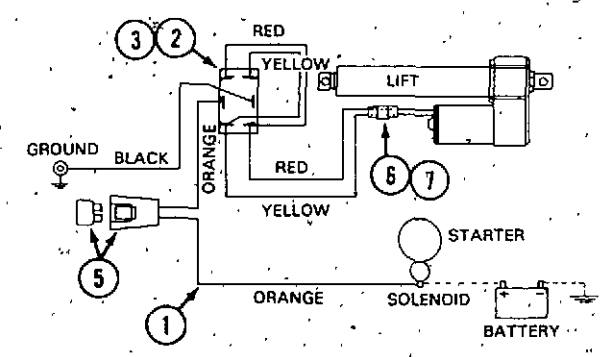


**ELECTRIC DECK LIFT  
CYLINDER STYLE**

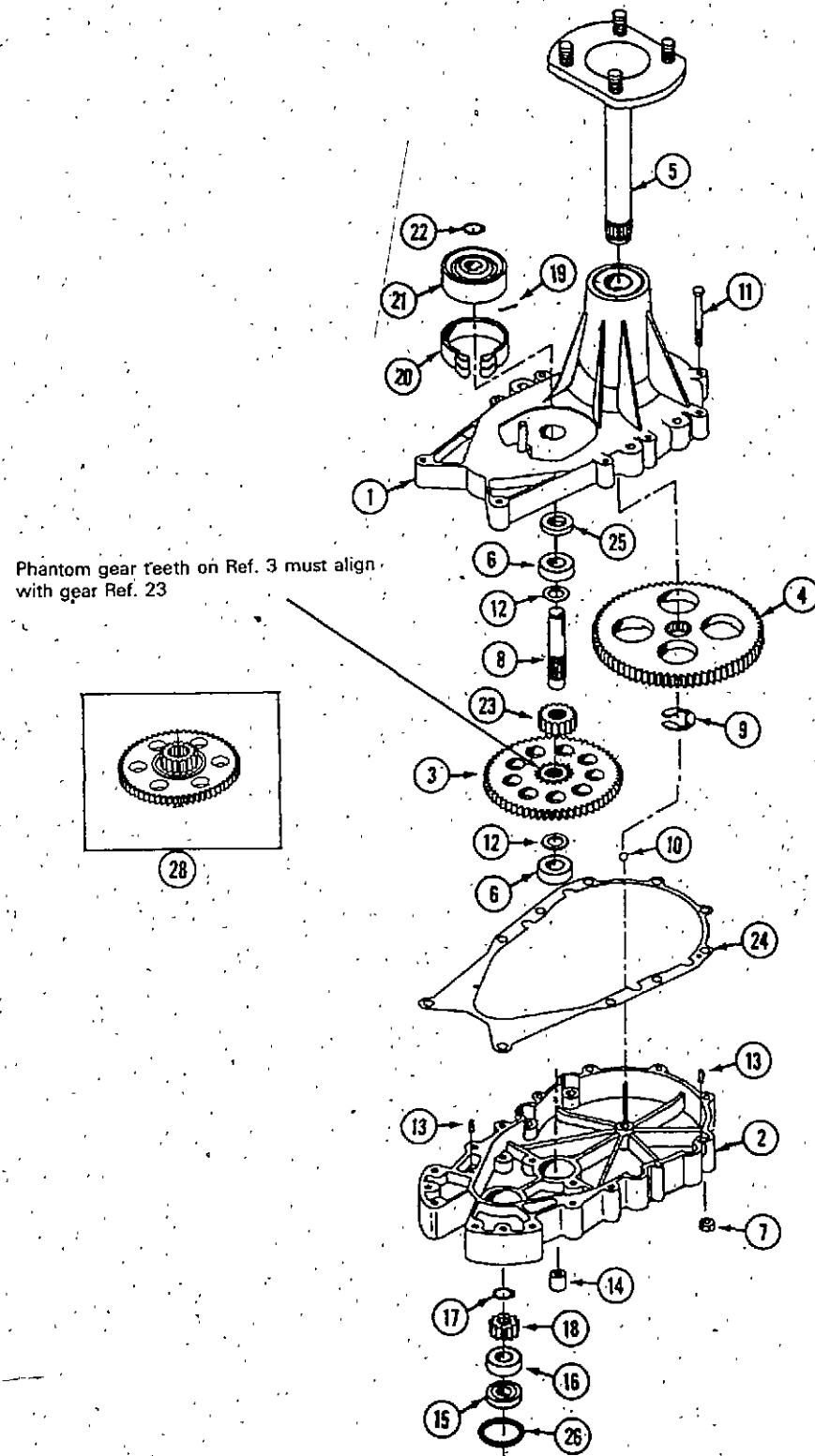
REF.	PART NO.	DESCRIPTION	REQ'D
1	C45697	MOUNT - cylinder	1
2	C45700	BAR - cross	1
3	C29804	PIN - clevis 1/2" x 2-1/2"	1
4	195-2067	WASHER - 1/2"	2
5	132-320	PIN - cotter 3/32" x 3/4"	1
6	113-426	BOLT - 1/2" - 13 x 2-3/4"	2
7	131-1182	NUT - 1/2" - 13 lock	2
8	C45768	LINK - spacer	UAR
9	113-103	BOLT - 5/16" - 18 x 1"	4
10	131-911	NUT - 5/16" - 18 flange lock	4
11	C45766	SHIM - cylinder mount	UAR
12	C45706	CYLINDER - lift	1

**ELECTRICAL SYSTEM (DECK LIFT)  
CYLINDER STYLE**

1	C45705	HARNESS - wire	1
2	C45775	SWITCH	1
3	C45780	NUT - 15/32" - 32 with boot (switch mounting)	1
4	C44495	DECAL - lift switch	1
5	C30261	HOLDER - fuse	1
5	C30260	FUSE - 30 amp	1
6	C24813	CONNECTOR - wire harness	1
7	C31948	CONNECTOR - lift actuator	1

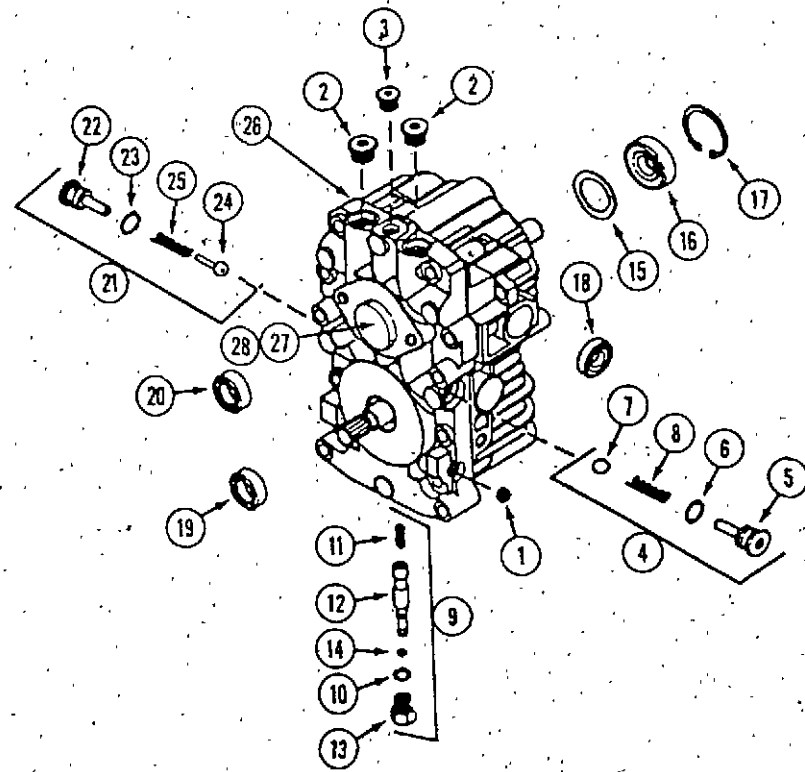


**TRANSMISSION - ZT DRIVE**  
(5020V)



REF.	PART NO.	DESCRIPTION	REQ'D
1	C40898	HOUSING - axle	1
	NSS	BEARING - ball	1
	NSS	BEARING - flanged	1
	NSS	PIN - clevis	1
2	C40902	HOUSING - hydro mount	1
3	C43685	GEAR - 60 T	1
4	C40904	GEAR - drive	1
5	C40905	SHAFT - axle	1
6	C34464	BEARING	2
7	129-102	NUT - 5/16" - 18	2
8	C40908	SHAFT - brake	1
9	C40909	RING - retaining	1
10	C40910	BALL - 3/8"	1
11	113-12	BOLT - 1/4" - 20 x 2-1/2"	UAR
11	113-119	BOLT - 5/16" - 18 x 2-3/4"	UAR
12	C34447	WASHER	2
13	C34446	PIN - spiral	2
14	C37736	SPACER - mounting	2
15	C37740	SPACER - bearing	1
16	C37739	BEARING - ball	1
17	C37737	RING - retaining	1
18	C37738	GEAR - input	1
19	132-320	PIN - cotter	1
20	C37730	BAND - brake	1
21	C37731	DRUM - brake	1
22	C37732	RING - retaining	1
23	C43686	GEAR - 17T	1
24	C43687	GASKET - housing	1
25	C43688	SEAL - oil	1
26	C43689	"O" RING	1
27	C43752	GREASE - 10 oz. tube (2 required)	2
28	NSS	GEAR - (use C43685, C43686)	1

**HYDROSTATIC PUMP-ZT DRIVE  
(5020V)**



REF.	PART NO.	DESCRIPTION	REQ'D
	C45398	TRANSMISSION - hydrostatic L.H. (CW)	1
	C45399	TRANSMISSION - hydrostatic R.H. (CCW)	1
1	C34124	PLUG - pipe	1
2	C34125	PLUG - 9/16" - 18	2
3	C34126	PLUG - 7/16" - 20	1
4	C43690	KIT - check valve (with check ball) top	2
5	NSS	PLUG - check valve	1
6	NSS	"O" RING - .078" x .468"	1
7	NSS	BALL - check	1
8	NSS	SPRING	1
9	C34128	KIT - by pass	1
10	NSS	"O" RING - .072 x .351	1
11	NSS	SPRING	1
12	NSS	SPOOL - by pass	1
13	NSS	PLUG - by pass	1
14	NSS	"O" RING	1
15	NSS	SPACER	1
16	NSS	SEAL - lip	1
17	NSS	RING - retaining	1
18	NSS	SEAL - lip	1
19	NSS	SEAL - lip	1
20	NSS	SEAL - lip	1
21	C45408	KIT - check valve (with poppet) bottom	1
22	NSS	PLUG - check valve	1
23	NSS	"O" RING - .078" x .468"	1
24	NSS	POPPET - check	1
25	NSS	SPRING	1
26	C43751	GASKET - body	1
27	C43750	KIT - charge pump	1
28	C43749	O-RING - charge pump cover	1
	C34129	KIT - seal (includes ref. 6, 10, 14, 15, 16, 17, 18, 19 and 20)	1



## NUMERICAL INDEX

PART NO.	PAGE REF. NO. NO.	PART NO.	PAGE REF. NO. NO.
BR93805	7 2	C37508	37
C14304	37	C37509	37
C14768	33 24	C37511	9 1
C14919	21 7	C37511	37 14
C15556	31 51	C37521	11 24
C15557	31 50	C37521	17 17
C15672	33 19	C37521	37 11
C16714	29 11	C37523	37 18
C16714	33 5	C37528	37 15
C16745	29 13	C37531	5 12
C22573	37	C37531	7 19
C22947	17	C37531	37 19
C24813	43 6	C37533	5 2
C25165	17 42	C37537	5 7
C25370	11 37	C37537	7 20
C26437	33 1	C37539	5 9
C27501	11 36	C37539	7 23
C28294	7 15	C37543	5 14
C28317	31 2	C37543	7 3
C29413	37 7	C37544	5 15
C29804	43 3	C37544	7 2
C30260	37 23	C37546	5 6
C30260	43 5	C37549	9 2
C30261	43 5	C37550	9 3
C30267	37 6	C37551	9 4
C31614	9 11	C37552	9 5
C31615	9 8	C37553	9 6
C31937	37 4	C37554	9 1
C31947	37 22	C37562	9 7
C31948	43 7	C37573	11 4
C32178	37 3	C37574	11 3
C32396	37	C37575	11 2
C32397	37	C37576	11 10
C32407	37	C37577	11 7
C32455	5 10	C37578	11 5
C32455	7 6	C37579	11 6
C32455	9 10	C37583	11 8
C32455	17 10	C37586	11 11
C32455	35 29	C37595	11 21
C32891	31 24	C37603	11 9
C33024	37 17	C37604	23 2
C33024	41 1	C37606	23 7
C33444	5 26	C37607	25 10
C33744	41 12	C37616	17 20
C33949	7 17	C37616	25 38
C34117	13 43	C37616	27 38
C34124	47 1	C37616	31 35
C34125	47 2	C37625	31
C34126	47 3	C37626	31
C34128	47 9	C37627	31 28
C34129	47	C37630	23 3
C34173	29 24	C37631	13 39
C34189	9 9	C37631	17 18
C34239	7 10	C37631	23 1
C34361	7 9	C37631	29 3
C34374	5 16	C37636	35 11
C34374	7 13	C37637	35 10
C34446	45 13	C37639	35 6
C34447	45 12	C37652	25
C34464	45 6	C37652	27
C34808	13 33	C37652	31
C34808	35 26	C37656	25
C35067	13 37	C37656	27
C37464	39 4	C37657	25 16
C37495	39 5	C37657	27 43
C37496	39 6	C37657	31 4
C37498	39 8	C37661	31 7
C37500	39 9	C37694	33 3
C37502	39 7	C37695	33 11
C37504	39 11	C37698	31 31
C37505	37 2	C37699	31 31

PART NO.	PAGE REF. NO. NO.	PART NO.	PAGE REF. NO. NO.
C37700	33 6	C37700	33 6
C37700	33 6	C37702	33 4
C37702	33 4	C37703	33 9
C37703	33 9	C37703	33 9
C37704	33 7	C37704	33 7
C37704	33 7	C37705	17 19
C37705	17 19	C37705	31 34
C37705	31 34	C37724	25 7
C37724	25 7	C37724	27 7
C37724	27 7	C37724	31 30
C37725	31 30	C37725	25 9
C37725	25 9	C37725	27 9
C37725	27 9	C37725	33 2
C37730	25 2	C37730	27 2
C37730	27 2	C37730	45 20
C37730	45 20	C37731	25 3
C37731	25 3	C37731	27 3
C37731	27 3	C37731	45 21
C37731	45 21	C37732	25 4
C37732	25 4	C37732	27 4
C37732	27 4	C37732	45 22
C37733	45 22	C37733	25 6
C37733	25 6	C37733	27 6
C37733	27 6	C37736	25 11
C37736	25 11	C37736	27 11
C37736	27 11	C37736	45 14
C37736	45 14	C37737	25 12
C37737	25 12	C37737	27 12
C37737	27 12	C37737	45 17
C37737	45 17	C37738	25 13
C37738	25 13	C37738	27 13
C37738	27 13	C37738	45 18
C37738	45 18	C37739	25 14
C37739	25 14	C37739	27 14
C37739	27 14	C37739	45 16
C37739	45 16	C37740	25 15
C37740	25 15	C37740	27 15
C37740	27 15	C37740	45 15
C37740	45 15	C37743	25 19
C37743	25 19	C37743	27 19
C37743	27 19	C37744	25 20
C37744	25 20	C37744	27 20
C37744	27 20	C37747	25 23
C37747	25 23	C37747	27 23
C37747	27 23	C37754	25 33
C37754	25 33	C37754	27 33
C37754	27 33	C37756	19 13
C37756	19 13	C37756	25 35
C37756	25 35	C37756	27 35
C37756	27 35	C37761	25 44
C37761	25 44	C37761	27 17
C37761	27 17	C37763	25 26
C37763	25 26	C37763	27
C37763	27	C37769	35 5
C37769	35 5	C37772	35 7
C37772	35 7	C37778	35 8
C37778	35 8	C37787	17 42
C37787	17 42	C37787	35 21
C37787	35 21	C37810	15 1
C37810	15 1	C37811	9 7
C37811	9 7	C37815	11 31
C37815	11 31	C37816	11 32
C37816	11 32	C37818	13 24
C37818	13 24	C37819	5 18
C37819	5 18	C37819	7 26
C37819	7 26	C37820	5 18
C37820	5 18	C37820	7 26
C37820	7 26	C37822	23 7

PART NO.	PAGE REF. NO. NO.	PART NO.	PAGE REF. NO. NO.
C37824	13 5	C37824	13 5
C37824	13 5	C37824	19 8
C37824	19 8	C37824	21 2
C37824	21 2	C37826	17 13
C37826	17 13	C37837	17 16
C37837	17 16	C37840	17 2
C37840	17 2	C37841	17 3
C37841	17 3	C37842	17 5
C37842	17 5	C37851	13 25
C37851	13 25	C37851	17 15
C37851	17 15	C37852	17 21
C37852	17 21	C37854	19 1
C37854	19 1	C37855	19 2
C37855	19 2	C37857	19
C37857	19	C37858	19
C37858	19	C37859	19 3
C37859	19 3	C37860	19 4
C37860	19 4	C37860	19 9
C37860	19 9	C37860	21 15
C37860	21 15	C37861	19 5
C37861	19 5	C37863	19 1
C37863	19 1	C37865	19 3
C37865	19 3	C37866	19 4
C37866	19 4	C37869	19 7
C37869	19 7	C37869	21 19
C37869	21 19	C37915	19 6
C37915	19 6	C37915	21 17
C37915	21 17	C37958	15 2
C37958	15 2	C37985	25 9
C37985	25 9	C37986	25 11
C37986	25 11	C37987	25 12
C37987	25 12	C37994	31 9
C37994	31 9	C37995	33 1
C37995	33 1	C37998	31 12
C37998	31 12	C37999	31 13
C37999	31 13	C38000	31 14
C38000	31 14	C38002	31 15
C38002	31 15	C38003	31 16
C38003	31 16	C38004	31 17
C38004	31 17	C38005	31 18
C38005	31 18	C38006	31 19
C38006	31 19	C38008	31 22
C38008	31 22	C38009	31 22
C38009	31 22	C38010	31
C38010	31	C38011	31
C38011	31	C38012	31
C38012	31	C38014	33 5
C38014	33 5	C38015	33 8
C38015	33 8	C38016	31 27
C38016	31 27	C38017	31 27
C38017	31 27	C38018	31 29
C38018	31 29	C38019	33 10
C38019	33 10	C38055	19 14
C38055	19 14	C38230	19 5
C38230	19 5	C38594	11 26
C38594	11 26	C38807	39 10
C38807	39 10	C38864	11 22
C38864	11 22	C39403	5 19
C39403	5 19	C39403	7 27
C39403	7 27	C39403	13 41
C39403	13 41	C39524	13 26
C39524	13 26	C39525	13 27
C39525	13 27	C39526	13 27
C39526	13 27	C39527	39 1
C39527	39 1	C39528	39 1
C39528	39 1	C39534	13 2
C39534	13 2	C40645	13 2
C40645	13 2	C40898	45 1
C40898	45 1	C40902	45 2
C40902	45 2	C40904	45 4
C40904	45 4	C40905	45 5

## NUMERICAL INDEX

PART NO.	PAGE REF. NO. NO.	PART NO.	PAGE REF. NO. NO.
C40908	45 8	C43964	41 12
C40909	45 9	C43965	41 11
C40910	45 10	C43966	41 2
C40954	39 3	C43967	41 3
C41010	37 12	C43969	41 5
C41015	5 8	C43983	41 3
C41015	7 24	C43985	41 13
C41163	13 3	C43992	41 6
C41175	13 29	C44027	9 2
C41179	13 29	C44035	13 36
C41643	37 20	C44075	37 16
C41674	5 1	C44083	31 20
C41944	13 7	C44237	17 1
C41945	13 8	C44242	11 44
C41956	17 45	C44243	7 8
C41978	35 32	C44244	7 7
C41986	35 28	C44250	11 34
C42053	13 9	C44261	37 13
C42056	13 33	C44328	7 19
C42056	13 40	C44340	39 12
C42056	29 8	C44364	41 20
C42057	13 33	C44367	41 21
C42240	5 13	C44403	11 50
C42240	7 28	C44469	37
C42240	37 21	C44471	41 15
C42359	17 36	C44481	17 7
C42784	35 13	C44489	41 1
C42784	35 14	C44495	41 14
C42784	35 15	C44495	43 4
C42784	35 16	C44498	17 41
C42784	35 17	C44499	19
C42785	35 12	C44499	19
C42894	29 1	C44499	21
C42895	17 4	C44844	13 4
C42895	25 39	C44857	7 1
C42895	27 39	C44858	7 3
C42895	29 3	C44859	7 4
C42895	29 5	C44860	7 5
C42895	31 32	C44861	7 6
C42896	17 9	C44862	7 25
C42896	25 41	C44865	7 11
C42896	27 41	C44866	7 12
C42896	29 8	C44868	7 14
C42896	31 33	C44869	7 15
C42897	29 9	C44915	17 6
C42898	29 10	C44942	29 1
C42901	29 12	C44948	29 2
C42902	29 22	C44949	29 4
C42903	29 20	C44952	29 6
C42904	29 23	C44954	13 1
C43012	13 10	C44955	13 28
C43044	37 5	C44956	13 28
C43137	17 48	C44957	13 28
C43202	17 12	C44958	13 28
C43375	41 5	C44959	29 8
C43412	41 17	C44973	13 34
C43438	17 49	C44975	13 29
C43685	45 3	C44977	13 29
C43686	45 23	C45061	9 12
C43687	45 24	C45062	9 13
C43688	45 25	C45077	5 22
C43689	45 26	C45078	5 23

## NUMERICAL INDEX

PART NO.	PAGE REF. NO. NO.	PART NO.	PAGE REF. NO. NO.
C45120	29 11	111- 342	33 23
C45121	11 39	111- 366	31 48
C45165	27 18	113- 1	29 10
C45166	25 18	113- 1	41 11
C45273	7 14	113- 1	41 8
C45333	9 11	113- 3	7 16
C45334	9 5	113- 3	17 35
C45398	27 16	113- 3	17 37
C45398	47	113- 3	23 4
C45399	25 17	113- 3	35 22
C45399	47	113- 3	35 34
C45408	47 21	113- 3	37
C45495	35 4	113- 3	41 7
C45535	37	113- 3	41 10
C45536	37 9	113- 4	11 33
C45537	17 11	113- 4	17 26
C45537	37 10	113- 4	25 40
C45539	37 1	113- 4	27 40
C45610	21 3	113- 4	29 7
C45618	21 5	113- 4	29 18
C45634	19	113- 4	31 46
C45634	21	113- 5	9 14
C45636	19	113- 12	45 11
C45636	21	113- 102	11 47
C45645	21 4	113- 102	13 17
C45689	21 6	113- 102	35 30
C45697	43 1	113- 103	7 9
C45700	43 2	113- 103	9 16
C45705	43 1	113- 103	11 45
C45706	43 12	113- 103	15 3
C45708	21 14	113- 103	17 29
C45711	21 20	113- 103	29 16
C45746	21 23	113- 103	31 43
C45766	43 11	113- 103	33 12
C45768	43 8	113- 103	33 12
C45775	43 2	113- 103	43 9
C45780	43 3	113- 104	5 4
C45841	21 9	113- 104	7 4
C45887	31 3	113- 104	33 12
C45888	31	113- 110	33 12
C45915	7 1	113- 118	13 30
C45917	37 8	113- 119	35 3
C45924	11 1	113- 119	45 11
C45927	31 10	113- 120	25 27
C45928	31 5	113- 120	27 27
C45929	31 11	113- 121	33 12
C45933	31 6	113- 134	25 28
C46058	31 1	113- 134	27 28
C46060	39 2	113- 207	5 20
C46068	39 13	113- 207	7 22
C46069	39 13	113- 207	33 10
C46079	7 7	113- 207	41 1
C46081	11 1	113- 208	21 24
C46083	35 33	113- 209	33 20
C46087	25 1	113- 210	11 14
C46087	27 1	113- 213	11 30
C46092	33 3	113- 213	15 9
C46097	33 8	113- 219	11 43
C46100	33 4	113- 219	41 13
C46102	33 16	113- 241	31 37
C46105	33 22	113- 259	15 6
C4688	33 11	113- 335	9 13
083-	55	113- 412	21 13
084-	45	113- 412	31 42
085-	58	113- 417	11 12
086-	58	113- 417	21 11
111- 111	29 4	113- 425	13 21
111- 114	17 32	113- 426	43 6
111- 132	13 40	113- 441	11 13
111- 132	29 7	113- 448	21 18
111- 204	17 43	113- 452	19 6

PART NO.	PAGE REF. NO. NO.	PART NO.	PAGE REF. NO. NO.
113- 646	21 21	113- 650	15 12
113- 2419	19 10	113- 2606	21 21
114- 203	9 14	121- 21	5 17
126- 6	31 21	126- 9	31 25
126- 9	33 2	129- 101	23 6
129- 101	37	129- 101	41 6
129- 102	33 14	129- 102	33 14
129- 102	45 7	129- 103	11 28
129- 103	25 25	129- 103	25 30
129- 103	27 25	129- 103	27 30
129- 103	31 39	129- 105	11 19
129- 105	19 9	129- 105	19 12
129- 105	21 12	129- 105	31 23
131- 69	17 25	131- 69	35 1
131- 70	13 22	131- 70	19 16
131- 70	9 15	131- 71	11 27
131- 71	13 16	131- 71	17 28
131- 71	17 34	131- 71	17 46
131- 71	25 14	131- 71	25 8
131- 71	27 8	131- 71	29 6
131- 71	29 21	131- 71	31 45
131- 356	21 22	131- 359	15 14
131- 911	5 5	131- 911	7 5
131- 911	9 8	131- 911	11 46
131- 911	13 19	131- 911	13 32
131- 911	29 17	131- 911	29 9
131- 911	35 31	131- 911	43 10
131- 934	7 18	131- 934	35 25
131- 934	37	131- 934	41 8
131- 934	41 9	131- 938	11 18
131- 938	11 40	131- 938	33 15
131- 938	41 2	131- 971	13 35
131- 1102	25 37	131- 1102	27 37
131- 1102	35 24	131- 1181	33 26
131- 1182	11 48	131- 1182	43 7
131- 1352	13 20		

PART NO.	PAGE REF. NO. NO.	PART NO.	PAGE REF. NO. NO.
131-1352	15 7	131-1352	15 11
131-1352	21 25	131-1352	29 15
131-1352	31 49	131-1352	33 21
131-1352	41 14	132- 6	41 22
132- 6	11 20	132- 310	33 18
132- 318	43 5	132- 320	45 19
132- 320	25 8	132- 332	25 5
132- 332	27 5	138- 138	31 52
182- 525	17 39	182- 525	37
182- 525	17 30	182- 528	37
182- 528	11 23	182- 553	13 41
182- 573	5 27	187-1041	5 25
187-1328	17 40	192- 18	37
192- 18	13 42	192- 19	17 38
192- 19	23 5	192- 19	25 36
192- 19	27 36	192- 19	35 27
192- 19	41 7	192- 19	37
192- 20	11 42	192- 20	15 4
192- 20	17 44	192- 20	31 40
192- 20	33 13	192- 20	33 13
192- 20	5 21	192- 21	7 21
192- 21	9 10	192- 21	11 29
192- 21	25 24	192- 21	25 29
192- 21	27 24	192- 21	27 29
192- 21	31 38	192- 22	9 12
192- 22	11 16	192- 23	19 8
192- 23	19 11	192- 23	21 10
192- 23	31 36	193- 63	37
193- 1000	11 25	193- 1000	13 11
193- 1000	17 31	193- 1000	25 42
193- 1000	27 42	193- 1000	29 2
193- 1000	31 47	193- 1000	37
193- 1000	41 18	193- 1000	41 4
195- 102	7 17	195- 102	13 18
195- 102	17 33	195- 102	25 13
195- 102	25 10		

## NUMERICAL INDEX

PART NO.	PAGE REF. NO. NO.	PART NO.	PAGE REF. NO. NO.
195- 102	27 10	195- 102	29 5
195- 102	29 19	195- 102	31 44
195- 102	35 23	195- 103	13 31
195- 103	15 5	195- 103	17 24
195- 103	27 21	195- 103	33 25
195- 103	35 2	195- 104	11 17
195- 104	11 41	195- 104	25 21
195- 104	31 41	195- 106	11 15
195- 106	19 15	195- 106	17 27
195- 520	9 4	195- 521	15 10
195- 521	41 16	195- 525	11 49
195- 525	29 14	195- 529	15 13
195- 533	21 26	195- 533	21 8
195- 533	33 17	195- 541	43 4
195- 541	33 7	195- 541	35 9
195- 2067	9 3	195- 2067	21 8
195- 2067	33 17	214- 103	9 3
195- 2067	43 4	214- 254	35 9
196- 102	33 7	214- 274	35 20
214- 103	9 3	217- 1085	7 16
214- 254	35 9	218- 5154	7 18
214- 274	35 20	218- 5182	35 19
217- 1085	7 16	218- 5278	25 34
218- 5154	7 18	218- 5278	27 34
218- 5182	35 19	218- 5280	35 18
218- 5278	25 34	219- 20	19
218- 5278	27 34	219- 20	21 1
218- 5280	35 18	219- 20	31 8
219- 20	19	219- 92	19
219- 20	21 1	221- 411	5 11
219- 92	31 8	221- 1101	9 6
221- 411	5 11	221- 1413	5 3
221- 1101	9 6		
221- 1413	5 3		