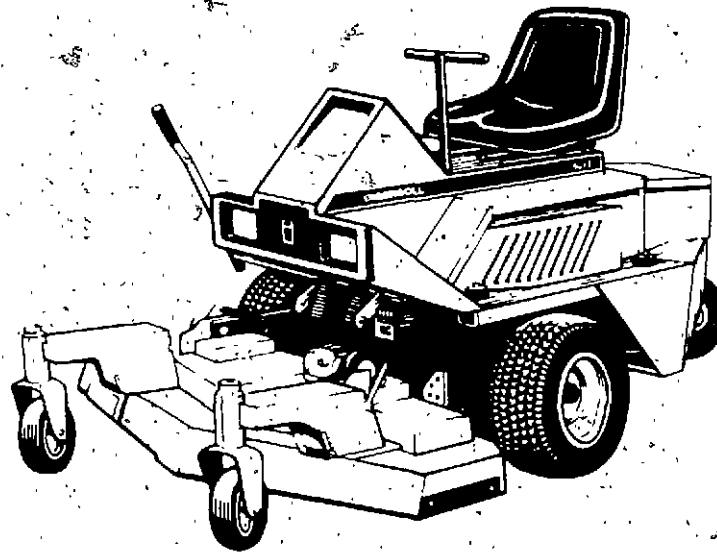


**FRONT CUT MOWERS
5012, 5016, 5018
Parts Catalog 8-3241**

7-95-RP-100

NOTE: This catalog replaces
8-3240



MODEL 5012, 5016 AND 5018 FRONT CUT MOWERS

**PRODUCT IDENTIFICATION NUMBERS (P.I.N.)
OR SERIAL NUMBERS (S/N)**

The P.I.N. for your front cut mower is located on a sticker placed on the inside of the base near the battery. Other components will have the P.I.N. attached individually. Example (engines, transmissions, etc.).

ENGINE IDENTIFICATION

TRACTOR MODEL

5012*

ENGINE MODEL

**BRIGGS & STRATTON
CORPORATION
ENGINE MODEL 422447
SPEC. NO. 1277-01**

5016*

**BRIGGS & STRATTON
CORPORATION
ENGINE MODEL 402447
SPEC. NO. 1226**

5018

**KOHLER COMPANY
ENGINE MODEL M18QS
SPEC. NO. PS24532**

***IMPORTANT NOTICE:** In this catalog Briggs & Stratton engine parts and warranty are handled by the engine manufacturer.

CONTACT YOUR LOCAL ENGINE DISTRIBUTOR

INDEX

There is an index at the front and rear of this catalog.

The front index is an alphabetical index of the major groups or assemblies.

The rear index is a numerical index of the part numbers and pages on which these numbers are shown.

ILLUSTRATION

Each illustration in this catalog shows a group of parts or components. These parts and components are aligned approximately as the parts and components on your machine. Each part and component in an illustration has a reference number. These reference numbers are in a list on the page opposite of the illustration. Next to the reference number is the part number, description and required quantity of the part shown in the illustration.

UAR - "Use as required" indicates that the part quantity is variable.

NSS - "Not sold separately" indicates that the part is only available as a component of an assembly or the part must be purchased locally. If the part is an assembly component, the description will be indented under the assembly description in the parts list.

O/L - "Obtain locally"

** - "Footnotes" are added to a part number when more information is needed for identification. They only relate to the part numbers indicated.

INDENTED DESCRIPTIONS

An assembly can have many components. The components of an assembly are indicated by an indented description. The quantity for an indented part is the total needed for that complete assembly. See the example.

REF.	PART NO.	DESCRIPTION	REQ'D
	C 55159	CYLINDER ASSY - rear steering	1
28	C 56208	SOCKET ASSY - rear cylinder	1
29	C 55956	PLUG - adjusting, socket assy	1
30	C 55957	SEAT - socket ball	2
31	C 56210	SPRING - socket	1
32	C 56209	SEAT - socket spring	1
33	G 45175	CLAMP ASSY - socket assy	1
	16- 836	BOLT - 1/2" x 2-1/4" N.F. hex	1
34	132- 104	PIN - cotter, 3/16" x 3"	1
35	C 55889	STUD - ball, socket & cylinder	2
36	13- 410	BOLT - 1/4" x 5/8" N.C., hex	4
37	92- 4	LOCK WASHER - 1/4" SAE	4

PARTS ORDERS

All orders must include the following information:

1. Correct part number.
2. Complete description of part or component.
3. Total quantity of each part or component.
4. Product model number.
5. All necessary product identification numbers.
6. Method for sending the parts.
7. Complete and correct address.

CATALOG REVISIONS

As the product changes, new pages will be available for your catalog. A notice will be issued.

IMPORTANT: Put all revisions into the catalog as soon as possible.

RIGHT HAND AND LEFT HAND IDENTIFICATION

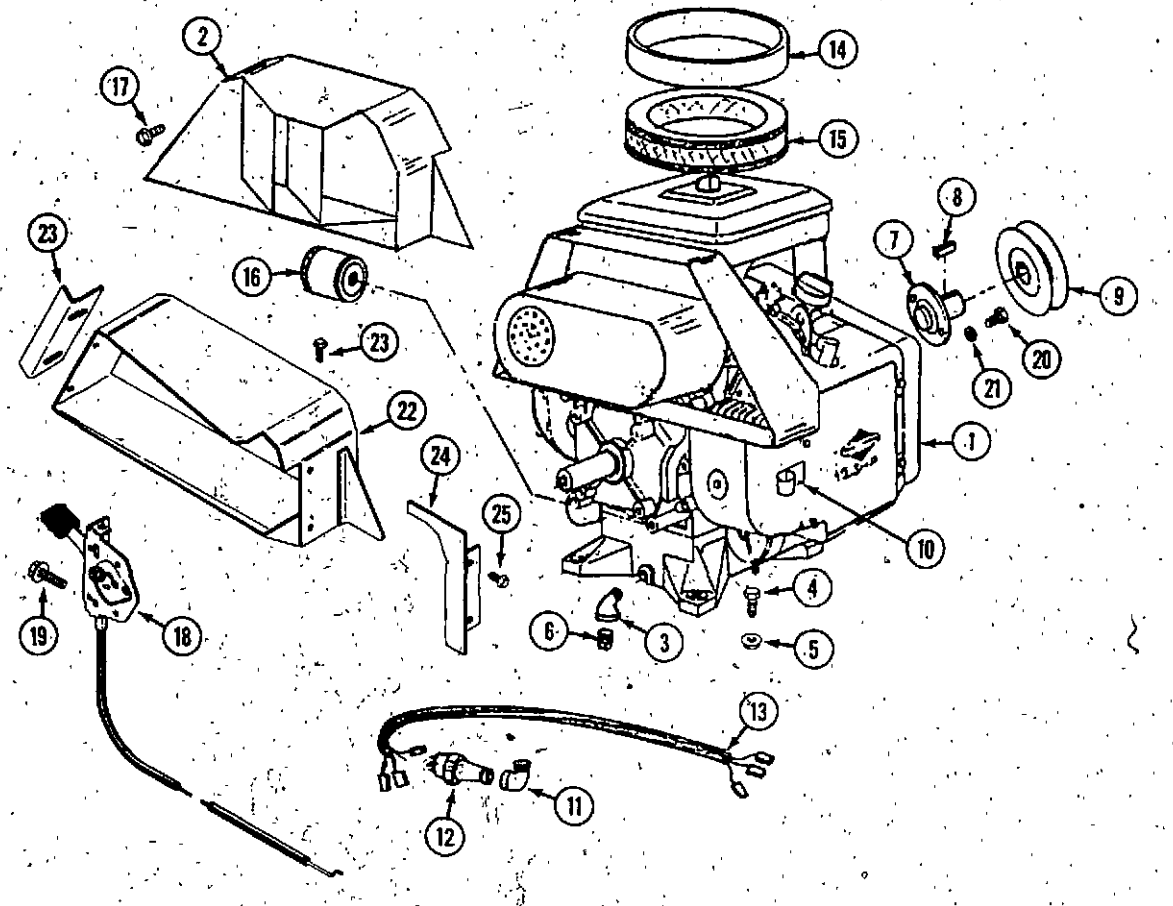
The words *right hand (RH)* and *left hand (LH)* as used in this catalog indicate the direction while you are in the operator's seat in the normal operating position.

TABLE OF CONTENTS

Engine and Attaching Parts	5-19
Electrical Clutch	21
Fuel System	21
Base Assembly	23
Body	25
Seat Lid and Steering	27
Single Tail Wheel	29
Dual Tail Wheel	29-31
Parking Brake	33
Cross Shaft, Pump Drive (5018)	33
Drive Assembly R.H. (5018)	35
Drive Assembly L.H. (5018)	37
Steering Cable Kit (5018)	39
Lift Lever	39
Transmission and Drive Chains (5012, 5016)	41
Cross Shaft, Transmission (5012, 5016)	43
Hydraulic System (5018)	45
Wiring Diagram	47-49
Decals	51
Deck Lift, Electric	53-55

KOHLER ENGINE (5018)

Air Cleaner	7
Carburetor and Intake Manifold	7
Governor	9
Crankshaft and Flywheel	11
Camshaft and Valves	11
Crankcase	13
Piston, Rings and Connecting Rod	15
Baffles and Shrouds	15
Engine Lubrication	17
Breather	17
Starter	19
Engine Electrical Components	19



MODEL 5012, 5016 AND 5018 FRONT CUT MOWERS

ENGINE AND ATTACHING PARTS (5012, 5016)

BRIGGS AND STRATTON

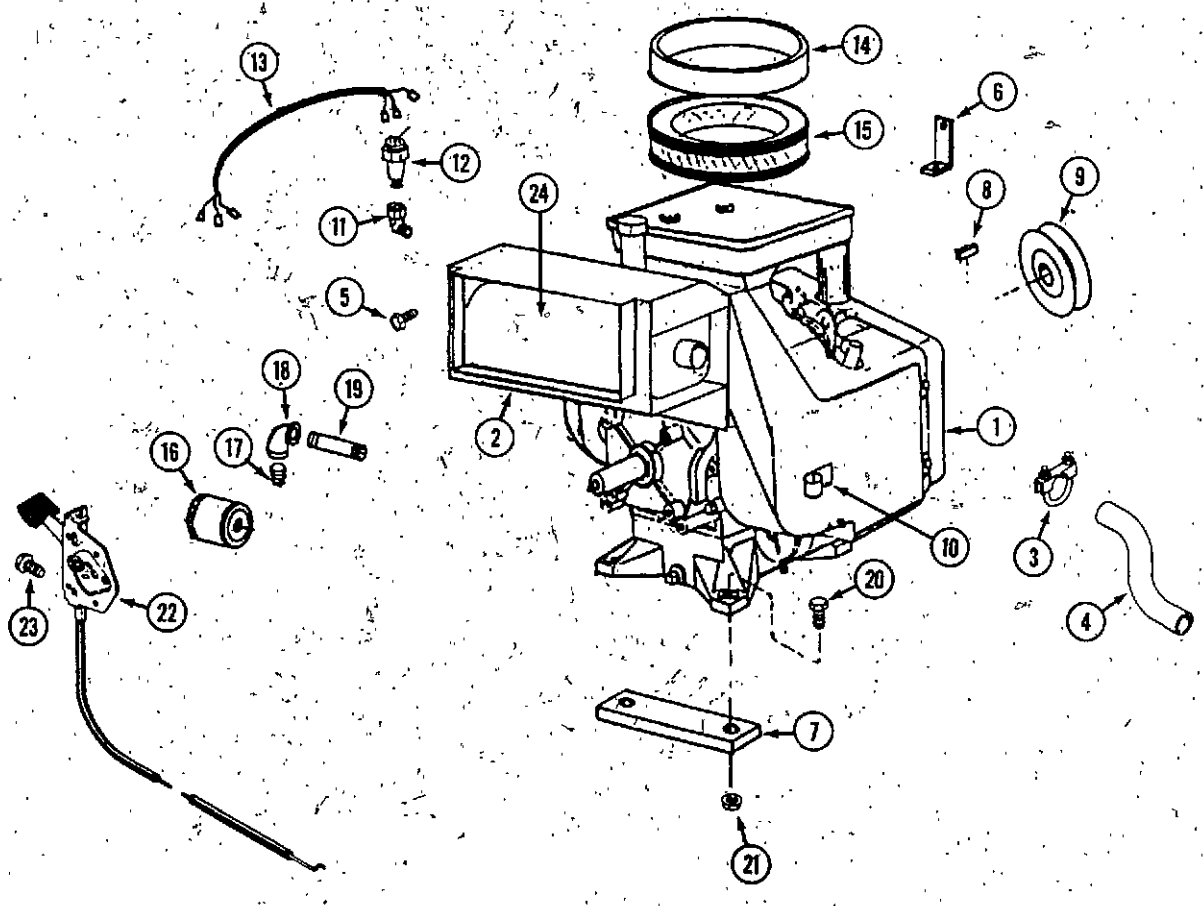
(See your local distributor for internal parts and warranty)

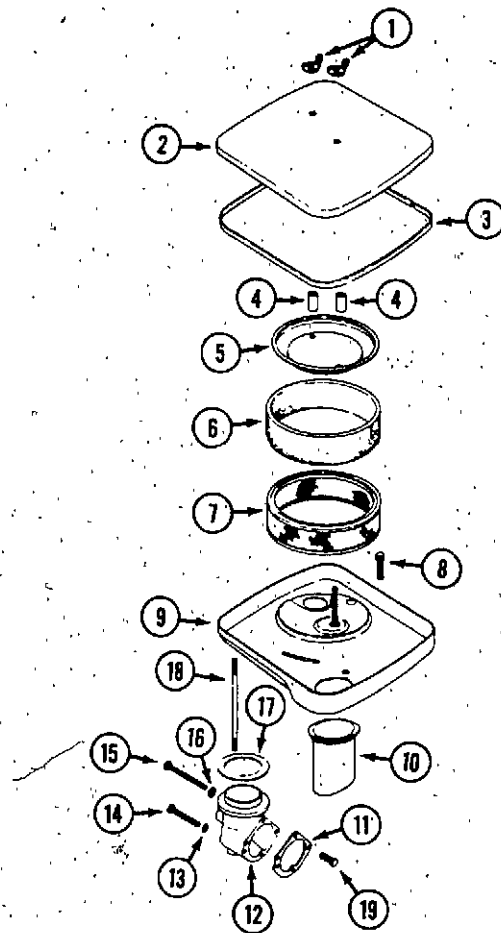
REF.	PART NO.	DESCRIPTION	REQ'D
1	C 45811	ENGINE - Briggs & Stratton, model 422447, Spec. 1289 (16 hp) (5016)	1
1	NSS	ENGINE - Briggs & Stratton, model 402447 Spec. No. 1225 (16 hp) (5016) (use C45811)	1
1	C 41675	ENGINE - Briggs and Stratton, model 404447, Spec. No. 1211 (12.5 hp) (5012)	1
2	C 37533	DUCT - air (use before S/N 14178235)	1
3	221- 1413	ELBOW - street 3/8"	1
4	113- 104	BOLT - 5/16" - 18 x 1-1/4"	4
5	131- 911	NUT - 5/16" - 18	4
6	C 37546	PLUG - pipe 3/8"	1
7	C 37537	SHAFT - stub	1
8	C 37538	KEY - 1/4" x 1/4" x 1"	1
9	C 37539	PULLEY - drive (use C32199 set screw)	1
10	C 37540	RETAINER - starter cable	2
11	221- 411	ELBOW - street 1/8"	1
12	C 37531	UNIT - oil sending	1
13	C 42240	HARNESS - wire	1
14	C 37543	PRECLEANER	1
15	C 37544	FILTER - air	1
16	C 37545	FILTER - oil	1
17	121- 21	BOLT - 1/4" - 20 flange lock	7
18	C 37819	CABLE - choke	1
18	C 37820	CABLE - throttle	1
19	C 39403	SCREW - #12 x 1/2"	4
20	113- 207	BOLT - 3/8" - 16 x 1"	2
21	192- 21	LOCKWASHER - 3/8"	2
22	C 45077	DUCT - air (use S/N 14178235 and after)	1
23	C 45078	DEFLECTOR - air, front (use S/N 14178235 and after)	1
24	C 45079	DEFLECTOR - air, rear (use S/N 14178235 and after)	1
25	187- 1328	BOLT - #8 - 18 x 3/8"	4

ENGINE AND ATTACHING PARTS (5018)

KOHLER

1	C 41676	ENGINE - Kohler Model M18QS, Spec. No. 24532 (18 hp)	1
2	C 42050	DUCT - air	1
3	C 42055	CLAMP - pipe (use before S/N 14175549)	1
3	C 45755	CLAMP - muffler 1-1/2" (use S/N 14175549 and after)	1
4	C 45684	PIPE - rear exhaust (also use C45755 before S/N 14175549)	1
5	121- 21	BOLT - 1/4" - 20 flange lock	7
6	C 37536	BRACKET - wire standoff	4
7	C 37563	SPACER	2
8	C 37538	KEY - 1/4" x 1/4" x 1"	1
9	C 37564	PULLEY - drive (includes 83-46 set screw)	1
10	C 37540	RETAINER - starter wire	1
11	C 37541	ELBOW - street 1/8"	1
12	C 37531	UNIT - oil sending	1
13	C 42240	HARNESS - wire	1
14	C 37566	PRECLEANER	1
15	C 37567	FILTER - air	1
16	C 37568	FILTER - oil	1
17	C 37546	PLUG - pipe 3/8"	1
18	221- 376	ELBOW - pipe 3/8"	1
19	C 37548	NIPPLE - pipe 3/8" x 4"	1
20	113- 122	BOLT - 5/16" - 18 x 1-1/2"	4
21	131- 911	NUT - 5/16" - 18	4
22	C 37819	CABLE - choke	1
22	C 37820	CABLE - throttle	1
23	C 39403	SCREW - #12 x 1/2"	4
24	C 40893	MUFFLER - exhaust	1

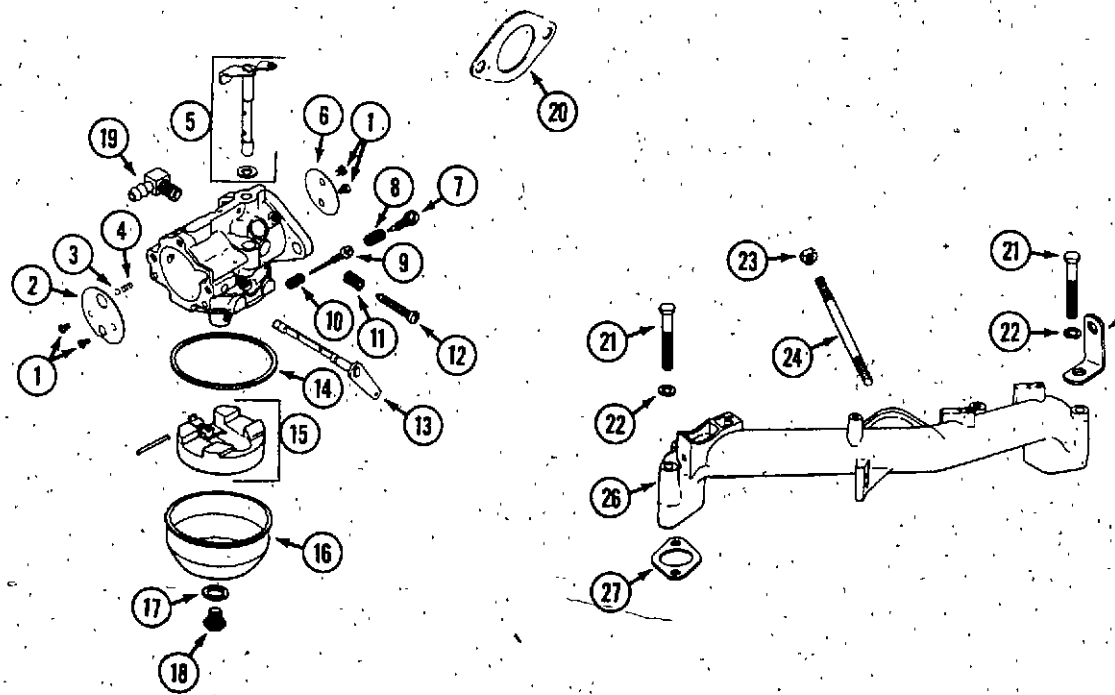




MODEL 5012, 5016 AND 5018 FRONT CUT MOWERS

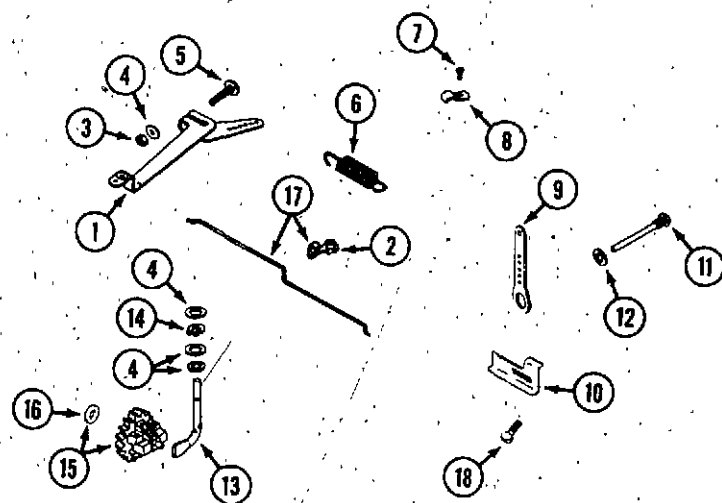
AIR CLEANER (5018)

REF.	PART NO.	DESCRIPTION	REQ'D
1	C 26703	NUT - wing 1/4" - 20	2
2	C 43447	COVER - air cleaner	1
3	C 43448	SEAL - cover	1
4	KO 231032	SEAL - element cover	2
5	C 43449	COVER - element	1
6	C 37566	PRECLEANER	1
7	C 43451	ELEMENT - air cleaner	1
8	C 43452	SCREW - 1/4" - 20 x 7/16" washer head	1
9	C 43453	BASE - air cleaner	1
10	C 43454	TUBE - air	1
11	C 43455	GASKET - elbow	1
12	C 43591	KIT - air intake elbow (inc. ref. 11-19)	1
13	C 43456	WASHER - #10 lock	2
14	C 43457	SCREW - #10 - 32 x 1-1/4"	2
15	C 43458	SCREW - #10 - 32 x 2-1/4"	1
16	C 43459	WASHER - #10	1
17	C 43460	GASKET - air cleaner	1
18	C 43461	STUD	1
19	C 43462	SCREW	1



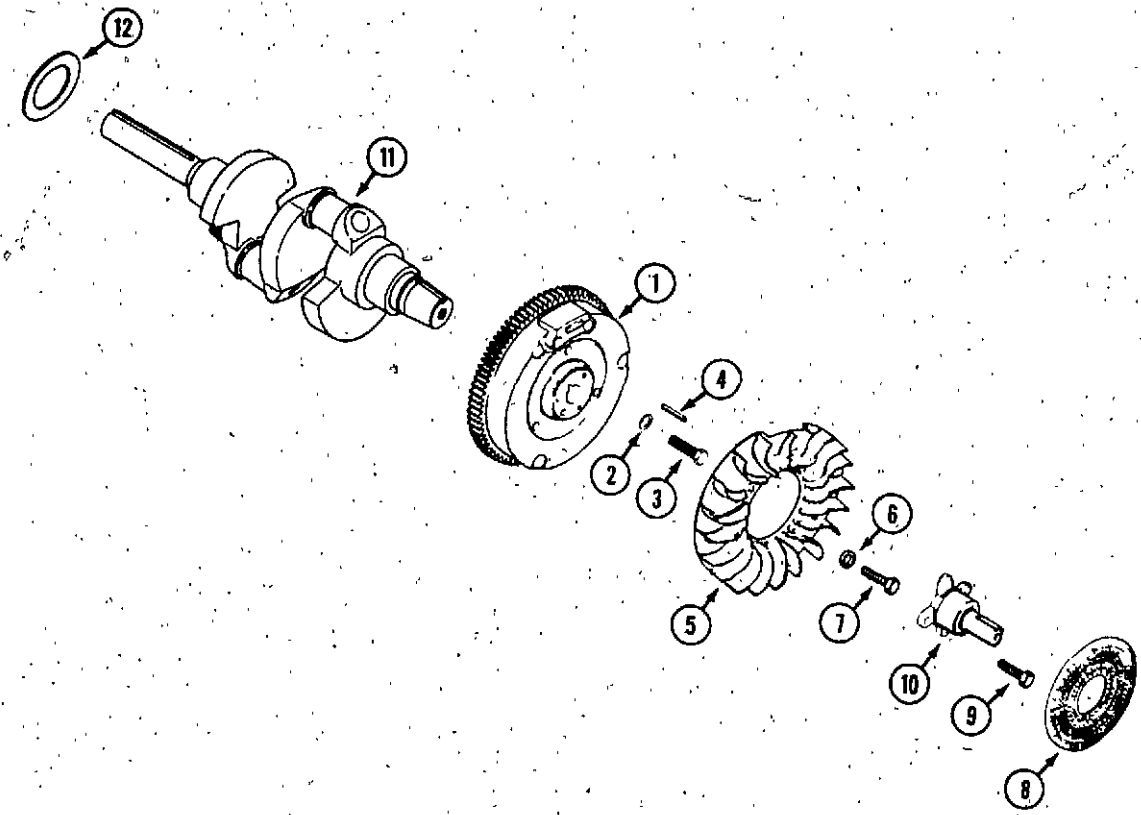
CARBURETOR AND INTAKE MANIFOLD (5018)

	C 43485	CARBURETOR	1
1	C 32862	SCREW - throttle and choke plate	4
2	C 43493	PLATE - choke	1
3	C 32865	BALL - choke	1
4	C 32866	SPRING - choke	1
5	C 43494	SHAFT - throttle (includes seal)	1
6	C 32869	PLATE - throttle	1
7	C 32872	NEEDLE - idle adjust	1
8	C 32871	SPRING - idle needle	1
9	C 43491	NEEDLE - high speed	1
10	C 32871	SPRING - main needle	1
11	C 32873	SPRING - throttle adjust	1
12	C 32874	SCREW - throttle adjust	1
13	C 43496	SHAFT - choke	1
14	C 32878	GASKET - bowl	1
15	C 32879	KIT - float	1
16	C 32880	BOWL - fuel	1
17	C 32881	GASKET - bowl screw	1
18	C 32882	SCREW - bowl	1
19	C 10678	CONNECTOR - 90°	1
20	C 43487	GASKET - carburetor	1
21	C 43488	SCREW - 5/16" - 18 x 2-3/4"	4
22	192- 20	LOCKWASHER - 5/16"	4
23	C 43490	NUT - 5/16" - 18	2
24	C 43491	STUD - 5/16" - 18 x 1"	2
25	C 43592	STRAP - lifting	2
26	C 43592	MANIFOLD - intake	1
27	C 43489	GASKET - intake manifold	2
	C 32884	KIT - carburetor repair	1



GOVERNOR (5018)

REF.	PART NO.	DESCRIPTION	REQ'D
1	C 43550	ARM - governor	1
2	C 32861	BUSHING - linkage	2
3	129- 101	NUT - 1/4" - 20	1
4	192- 19	WASHER - 1/4"	4
5	111- 129	BOLT - 1/4" - 20 x 1" carriage	1
6	C 43552	SPRING - governor	1
7	182- 559	SCREW - #10 - 24 x 13/32" tapping	2
8	C 43553	CLAMP - cable	2
9	C 43554	LEVER - speed control	1
10	C 43555	STOP - high speed	1
11	C 43556	PIN - governor stop	1
12	C 18099	WASHER - 1/4"	1
13	C 43557	SHAFT - governor	1
14	C 43558	RETAINER - governor shaft	1
15	C 27274	GEAR - governor	1
16	KO 237022	WASHER - thrust	1
17	C 43559	LINKAGE - governor (includes ref. 2)	1
18	C 43462	SCREW - 1/4" - 20 x 3/4" tapping	1

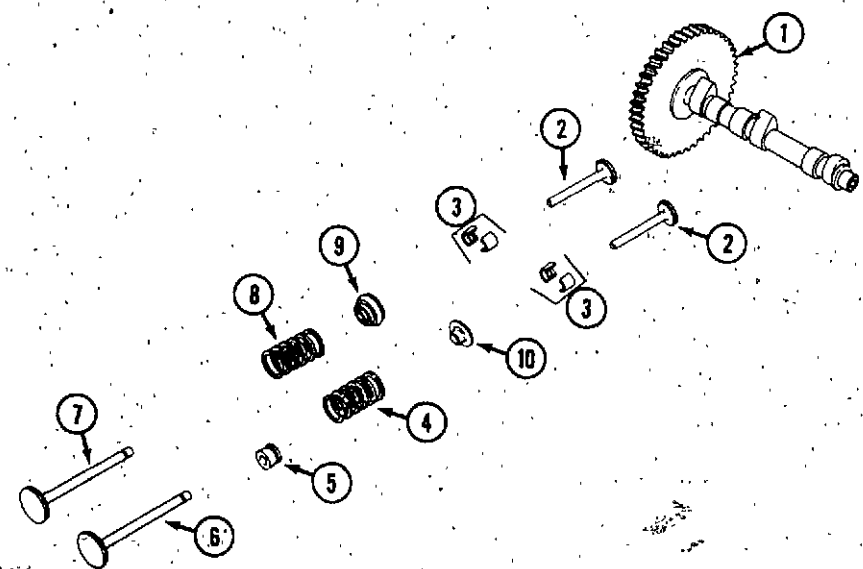


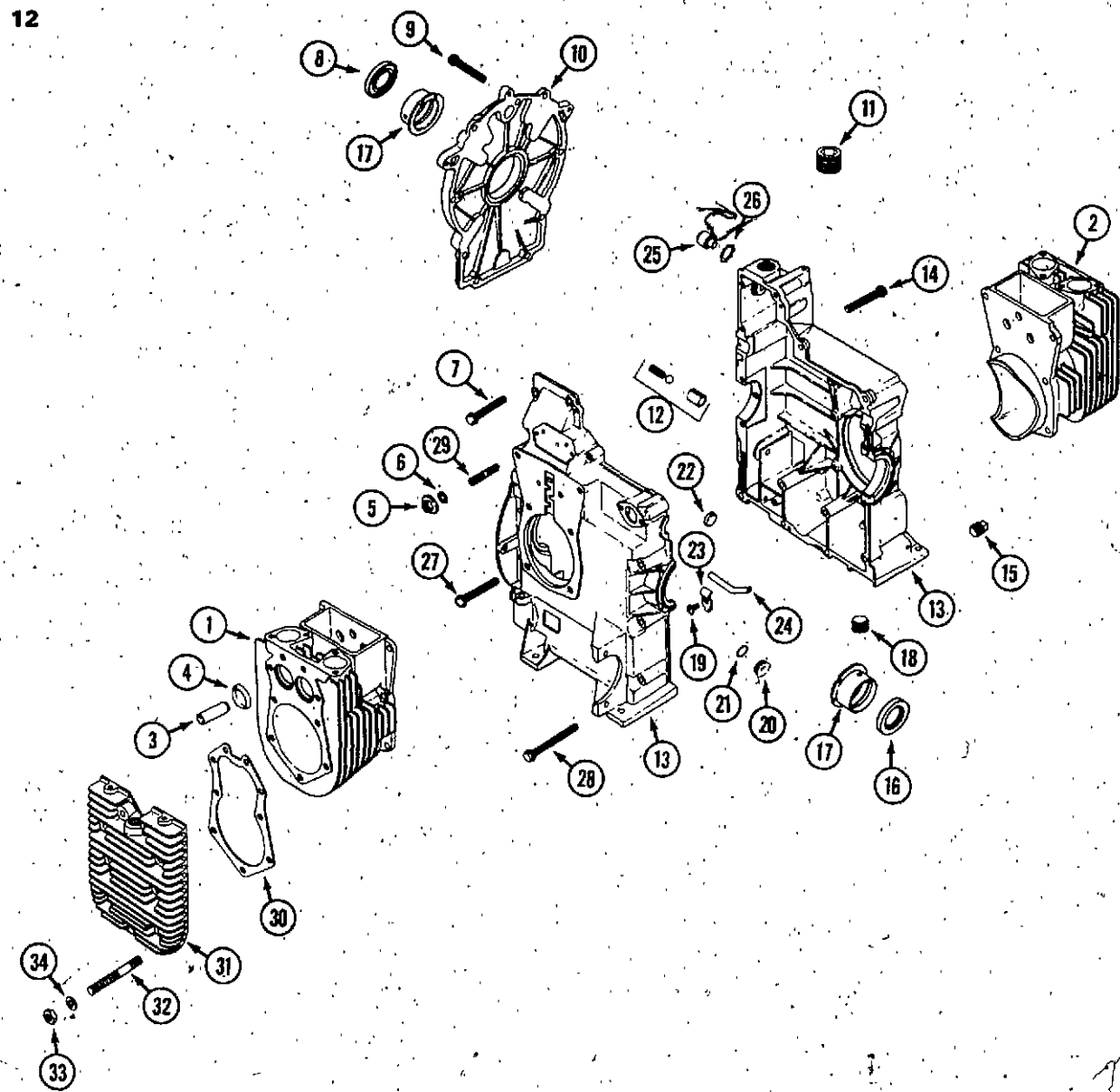
CRANKSHAFT AND FLYWHEEL (5018)

REF.	PART NO.	DESCRIPTION	REQ'D
1	C 43543	FLYWHEEL	1
2	C 32917	WASHER	1
3	28- 620	BOLT - 3/8" - 24 x 1-1/4"	1
4	C 43544	KEY - 3/16" square, 7/8"	1
5	G 32920	FAN	1
6	C 32919	SPACER	4
7	121- 21	SCREW - 1/4" - 20 x 1/2"	4
8	C 43545	SCREEN - grass	1
9	C 43546	SCREW - 3/8" - 16 x 1"	4
10	KO235945	SHAFT - stub	1
11	C 43524	CRANKSHAFT - 1" x 2-3/4" stub end	1
12	C 43525	WASHER - thrust .119"/.122"	UAR
12	C 43526	WASHER - thrust .128"/.131"	1
12	C 43527	WASHER - thrust .137"/.140"	UAR

CAMSHAFT AND VALVE (5018)

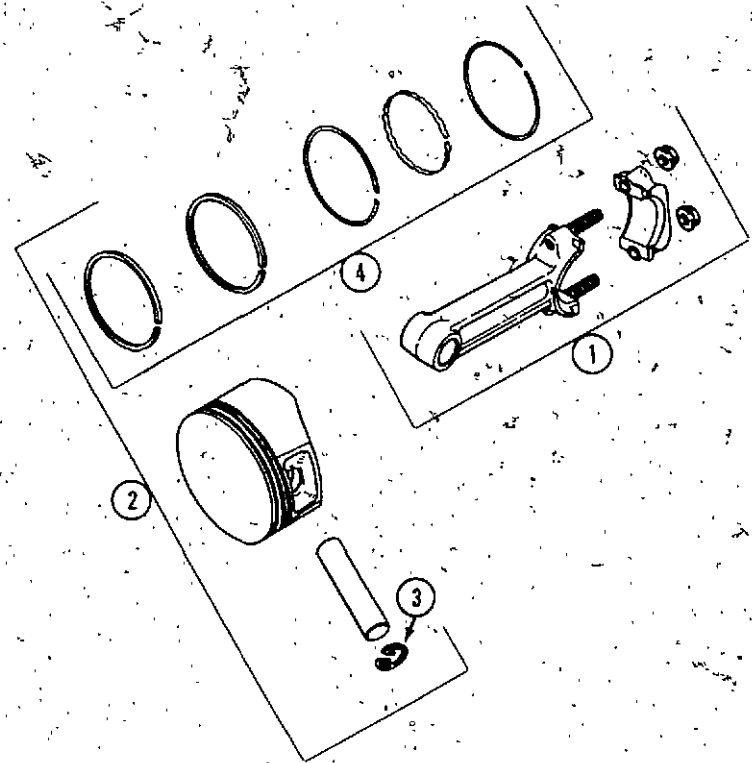
1	C 43477	CAMSHAFT	1
2	C 43478	TAPPET	4
3	C 24884	KIT - retainer	4
4	C 43479	SPRING - intake valve	2
5	C 43480	SEAL - intake valve stem	2
6	C 43481	VALVE - intake	2
7	C 43482	VALVE - exhaust	2
8	C 43483	SPRING - exhaust valve	2
9	KO230020	ROTATOR - exhaust valve	2
10	C 43484	RETAINER - intake valve spring	2





CRANKCASE (5018)

REF.	PART NO.	DESCRIPTION	REQ'D
1	C 43497	KIT - #1 cylinder barrel (includes ref. 3, 4 and exhaust valve)	1
2	C 43498	KIT - #2 cylinder barrel (includes ref. 3, 4 and exhaust valve)	1
3	C 43499	GUIDE - valve	4
4	C 43500	INSERT - valve seat	4
5	129- 102	NUT - 5/16" - 18	12
6	195- 102	WASHER - 5/16"	12
7	C 43501	SCREW - 5/16" - 18 x 1-1/2" flange	7
8	C 43502	SEAL - rear, oil 1-3/8" ID	1
9	C 43503	SCREW - 5/16" - 18 x 1" washer head	9
10	C 43504	KIT - closure plate	1
11	C 43505	PLUG - 1/8" NPTF	1
12	C 43506	KIT - oil pressure relief	1
13	NSS	CRANKCASE - use C43486 short block	2
	C 43486	SHORT BLOCK - includes gasket kit	1
14	C 43507	SCREW - 5/16" - 18 x 2" flange	1
15	221- 3	PLUG - pipe 3/8" N.P.T.F.	1
16	C 43508	SEAL - front, oil	1
17	C 43509	BEARING - main (std.)	2
17	C 43510	BEARING - main (.010" undersize)	2
17	C 43511	BEARING - main (.020" undersize)	2
18	C 43512	PLUG - 3/8" NPTF	2
19	C 43513	SCREW - self tap	1
20	C 43514	PLUG - 3/4"	1
21	C 43515	"O" RING	1
22	C 43516	PLUG - cup 5/16"	1
23	C 43517	CLAMP - tube	1
24	C 43518	TUBE - oil pickup	1
25	C 43519	SHAFT - governor	1
26	C 43520	RING - retaining	1
27	C 43521	SCREW - 3/16" - 16 x 3-5/8"	2
28	C 43522	SCREW - 5/16" - 18 x 3-1/2"	8
29	C 43523	STUD - 2"	12
30	C 43530	GASKET - cylinder head	2
31	C 43528	HEAD - cylinder	2
32	C 43529	STUD - 5/16" - 18 x 2"	18
33	129- 102	NUT - 5/16" - 18	18
34	195- 102	WASHER - 5/16"	18

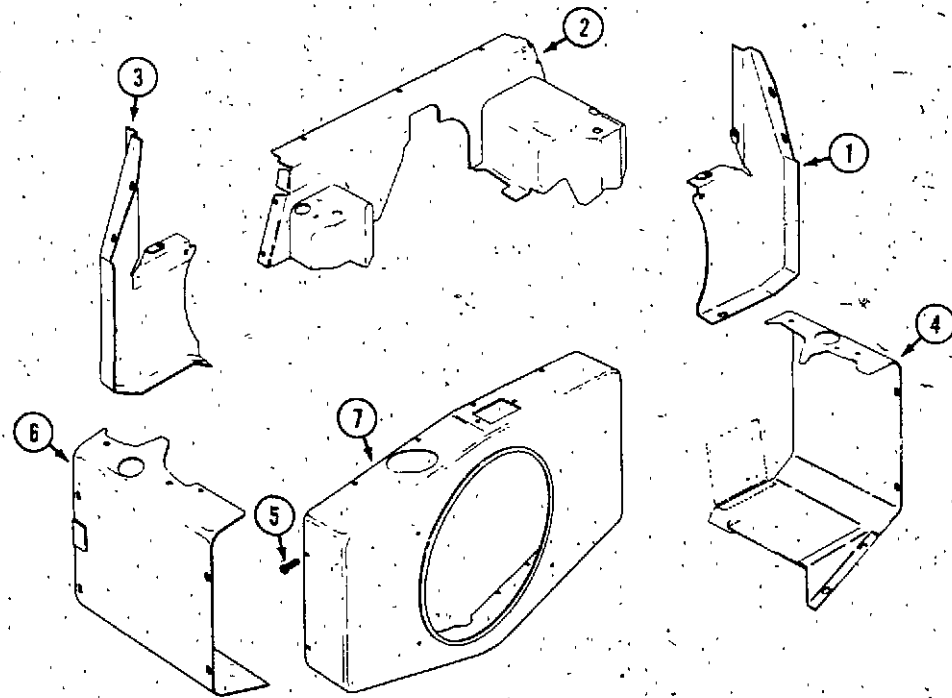


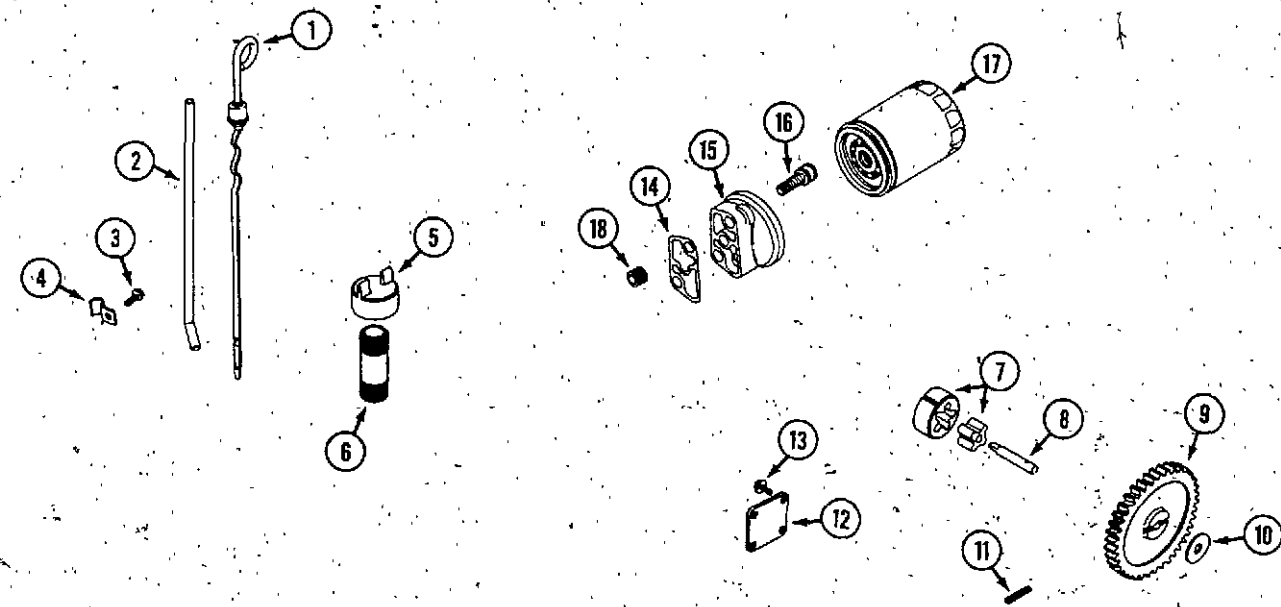
PISTON, RINGS AND CONNECTING ROD (5018)

REF.	PART NO.	DESCRIPTION	REQ'D
1	C 43566	ROD - connecting (std.)	2
1	C 43567	ROD - connecting (.010" undersize)	2
2	C 43568	PISTON AND RINGS (std)	2
2	C 43569	PISTON AND RINGS (.003" oversize)	2
2	C 43570	PISTON AND RINGS (.010" oversize)	2
2	C 43571	PISTON AND RINGS (.020" oversize)	2
2	C 43572	PISTON AND RINGS (.030" oversize)	2
3	C 43573	RETAINER - piston pin	4
4	C 43574	RING SET - std. and .003" undersize	2
4	C 43575	RING SET - .010" undersize	2
4	C 43576	RING SET - .020" undersize	2
4	C 43577	RING SET - .030" undersize	2

BAFFLES AND SHROUDS (5018)

1	C 43463	DUCT - air, #1 side (use before engine serial no. 1835500016)	1
1	C 43464	DUCT - air, #1 side (use after engine serial no. 1835500006)	1
2	C 43589	COVER - air duct	1
3	C 43590	DUCT - air, #2 side	1
4	C 43465	BAFFLE - #1 cylinder head (use before engine serial no. 1835500016)	1
4	C 43466	BAFFLE - #1 cylinder head (use after engine serial no. 1835500006)	1
5	C 43452	SCREW - 1/4" - 20 x 7/16" self-tap	23
6	C 43467	BAFFLE - #2 cylinder head	1
7	C 43468	HOUSING - blower	1

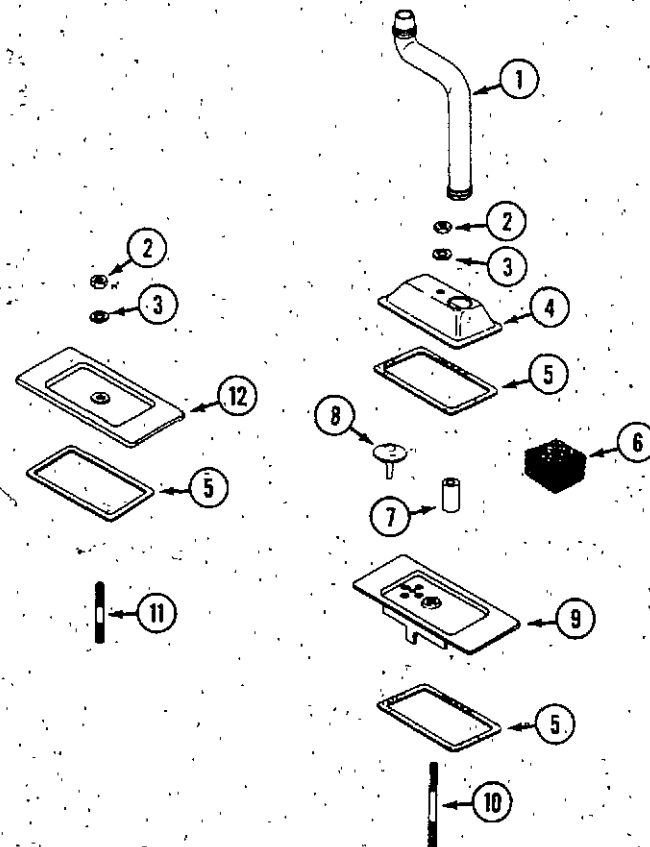




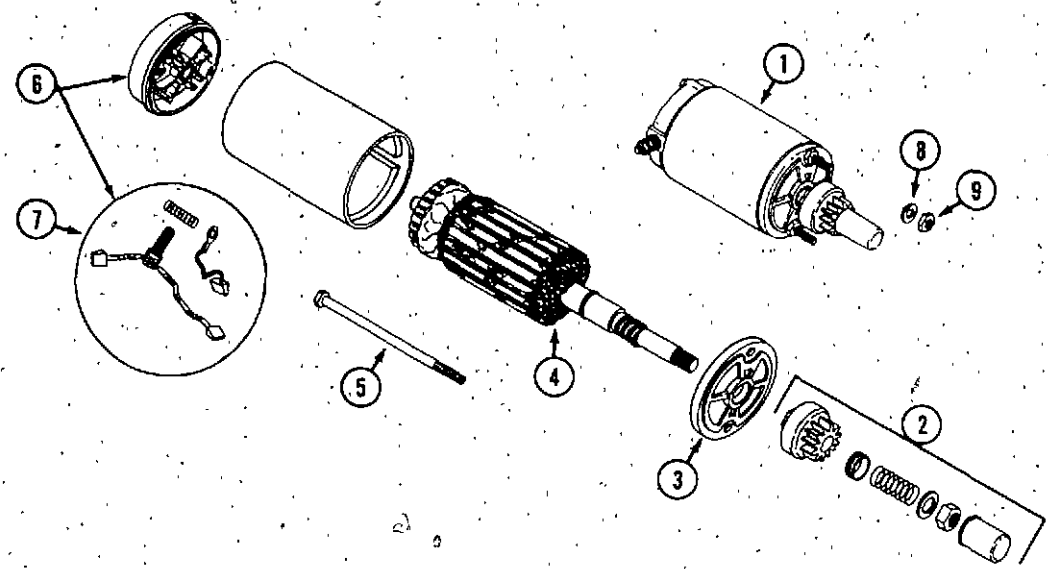
ENGINE LUBRICATION (5018)

REF.	PART NO.	DESCRIPTION	REQ'D
1	C 43531	DIPSTICK	1
2	C 43532	TUBE - oil level	1
3	C 43513	SCREW - #10 - 32 x 7/16"	1
4	C 43534	CLIP - tube	1
5	C 43535	CAP - pipe	1
6	C 43536	PIPE - oil fill 3/4" x 2-1/2"	1
7	C 43578	ROTOR SET	1
8	C 43579	SHAFT - oil pump	1
9	C 43580	GEAR - oil pump	1
10	C 43581	SPACER	1
11	C 43582	PIN - roll	1
12	C 43583	COVER - oil pump	1
13	C 43513	SCREW - #10 - 32 x 7/16" washer head	4
14	C 43584	GASKET - adapter	1
15	C 43585	ADAPTER - oil filter	1
16	C 43586	SCREW - 5/16" - 18 x 1"	2
17	C 37568	FILTER - oil	1
18	C 43505	PLUG - pipe 1/8"	1

BREATHER (5018)



1	C 43469	HOSE - breather	1
2	129- 101	NUT - 1/4" - 20	2
3	C 18099	WASHER - 1/4"	2
4	C 43470	COVER - upper	1
5	C 43471	GASKET - valve cover	3
6	C 43472	FILTER - breather	1
7	C 43473	SEAL - breather	1
8	C 43474	VALVE - breather	1
9	C 43475	COVER - lower	1
10	KO275220	STUD - breather cover	1
11	C 43587	STUD - valve cover	1
12	C 43476	COVER - valve	1

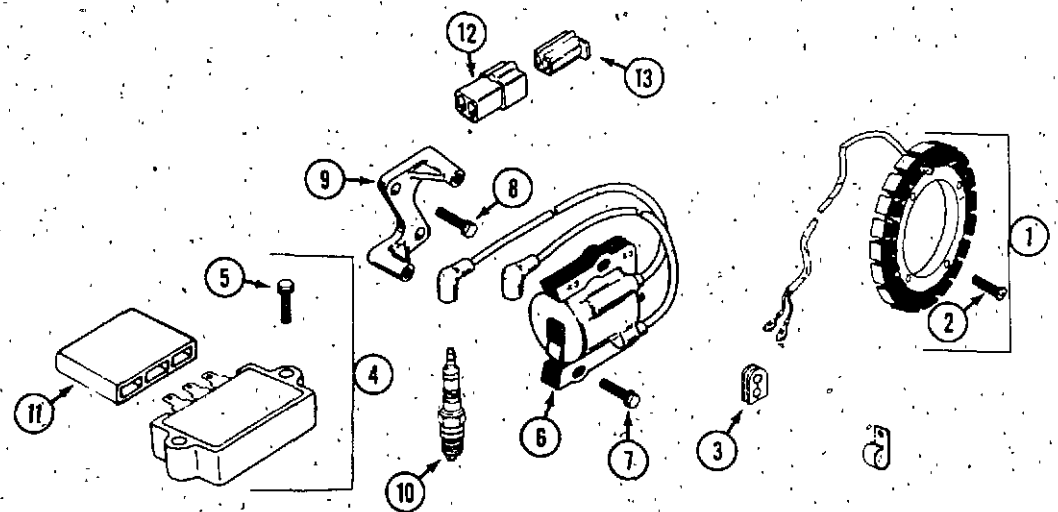


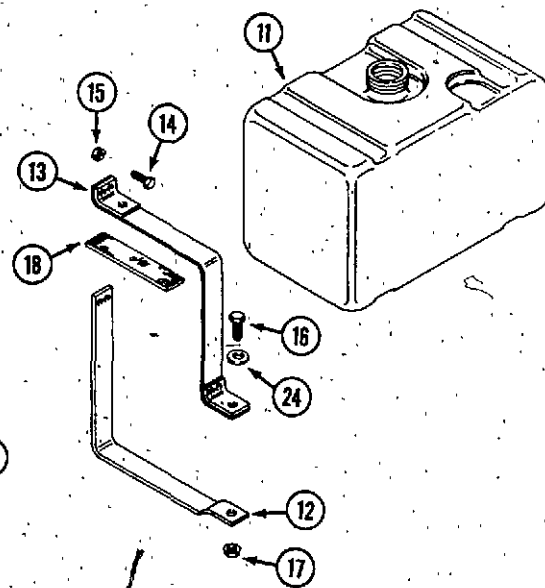
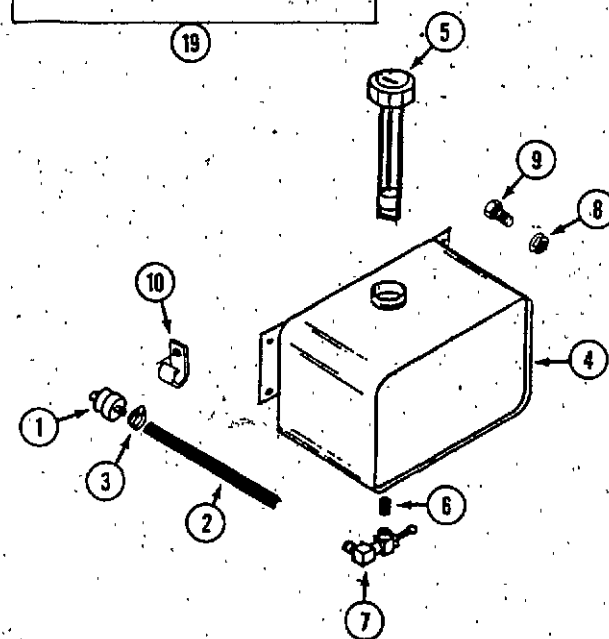
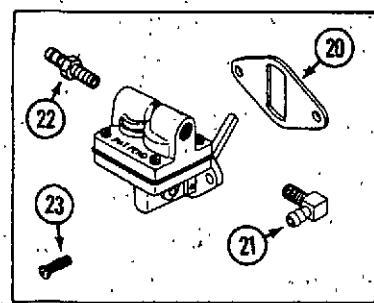
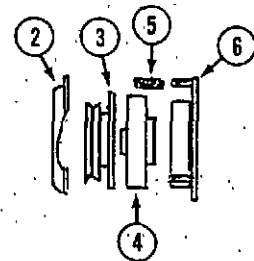
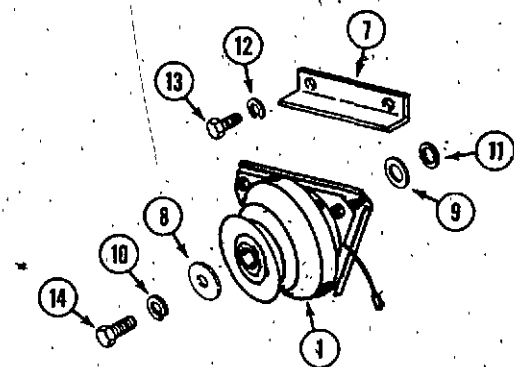
STARTER (5018)

REF.	PART NO.	DESCRIPTION	REQ'D
1	C 43537	STARTER - 12V	1
2	C 43538	KIT - drive	1
3	C 43539	CAP - drive end	1
4	C 43540	ARMATURE	1
5	C 43541	BOLT - thru 1/4" - 20 x 5-7/8"	2
6	C 43542	CAP - commutator end	1
7	C 28683	KIT - brush and spring	1
8	192- 19	LOCKWASHER - 1/4"	2
9	129- 101	NUT - 1/4" - 20	2

ENGINE ELECTRICAL COMPONENTS (5018)

1	C 28692	STATOR - 15 amps	1
2	C 32947	SCREW - #10 - 24 x 3/4"	4
3	C 43533	GROMMET	1
4	C 32948	REGULATOR - rectifier 15 amp	1
5	187- 1037	SCREW - 1/4" - 20 x 5/8"	2
6	C 43561	MODULE - ignition	1
7	C 43560	SCREW - 1/4" - 20 x 1" washer head	2
8	113- 4	SCREW - 1/4" - 20 x 1"	2
9	C 43562	BRACKET - module	1
10	C 43563	SPARK PLUG	2
11	C 32949	CONNECTOR - rectifier	1
12	C 43564	CONNECTOR - 2 contact, female	1
13	C 43565	CONNECTOR - 2 contact, male	1



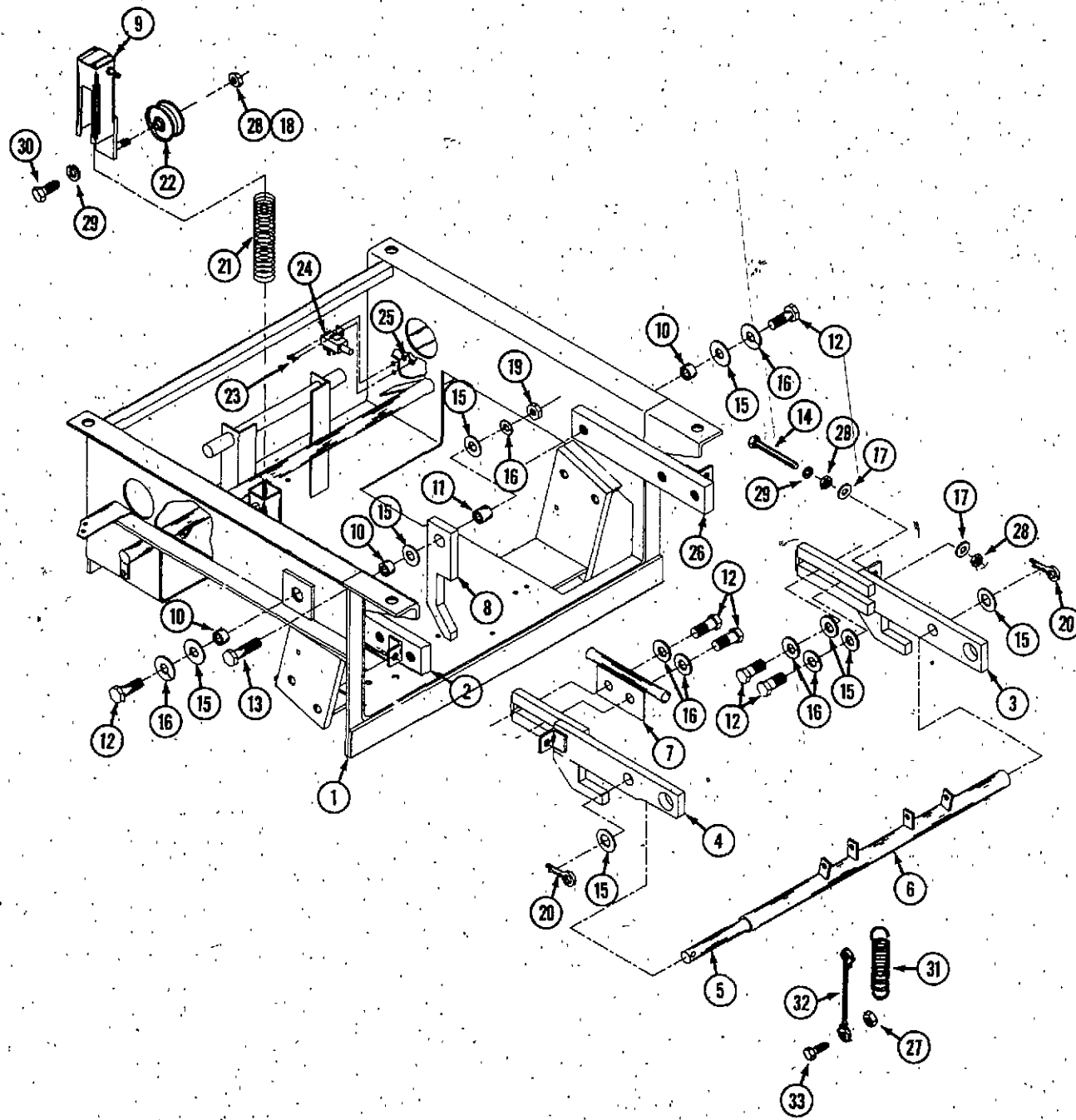


ELECTRIC CLUTCH (PTO)

REF.	PART NO.	DESCRIPTION	REQ'D
1	C 37511	CLUTCH ASSEMBLY	1
2	C 37549	BRAKE - clutch	1
3	C 37550	ARMATURE - clutch	1
4	C 37551	ROTOR - clutch	1
5	C 37552	KIT - spring and nut (3 each)	1
6	C 37553	COIL - clutch	1
7	C 37562	BRACKET - clutch stop	1
8	C 31615	WASHER - retaining	1
9	NSS	WASHER - 1" (5012, 5016) (use only Ref. 11)	1
10	192- 21	LOCKWASHER - 3/8"	1
11	C 31614	WASHER - 1-1/8"	1
12	192- 22	LOCKWASHER - 7/16"	2
13	113- 335	BOLT - 7/16" - 14 x 3/4"	2
14	114- 201	BOLT - 3/8" - 24 x 1-1/4"	1

FUEL SYSTEM

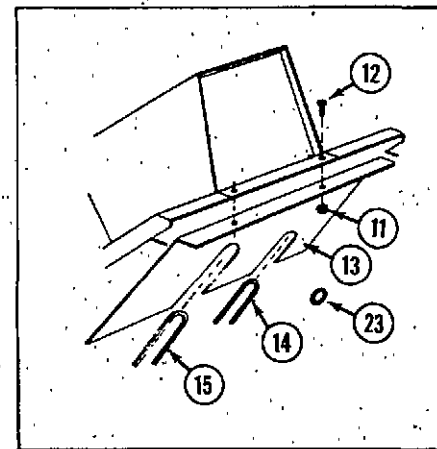
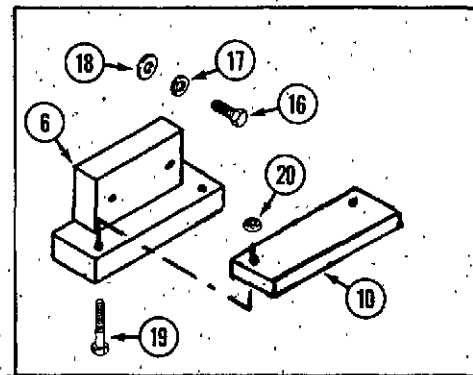
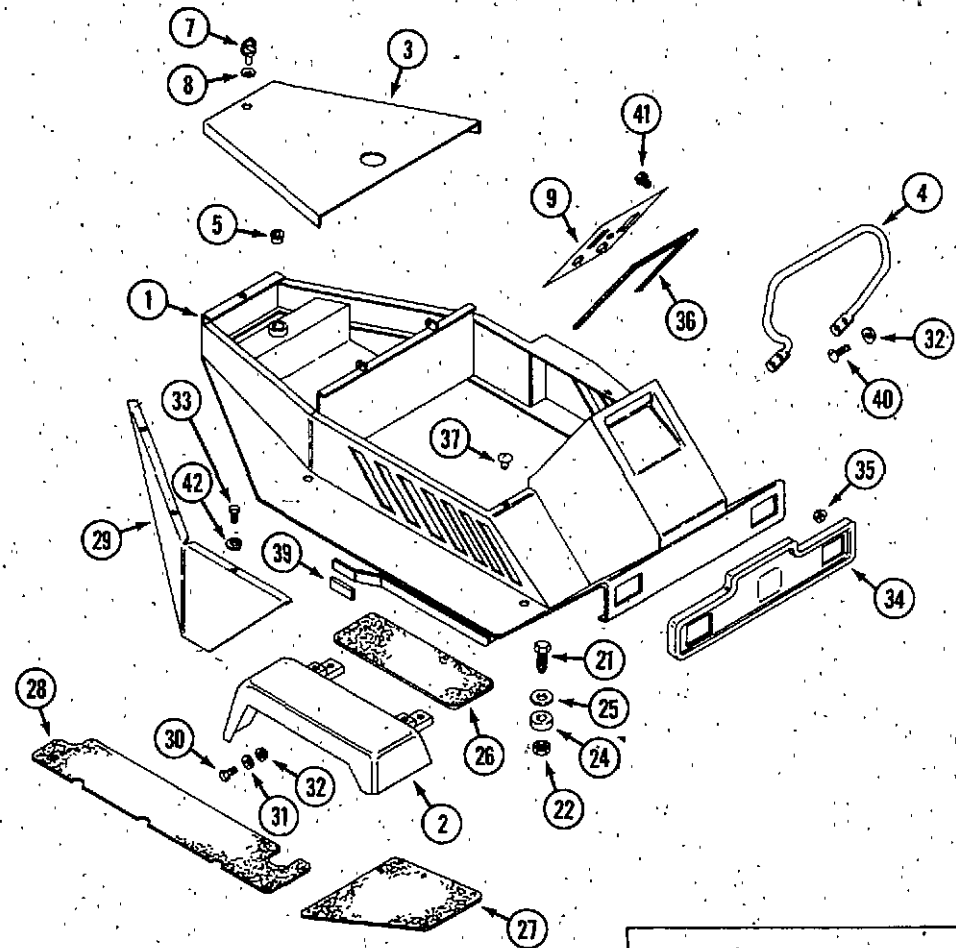
1	C 37554	FILTER - fuel	1
2	C 44027	HOSE - fuel (cut to length)	1
3	214- 103	CLAMP - hose	4
4	NSS	TANK - fuel (1-3/4" filler tube) (use C45119, C44822) metal	1
4	C 45119	TANK - fuel (2-1/4" filler tube) metal	1
5	C 44290	CAP - fuel tank (with gauge) (1-3/4" threads)	1
5	C 44822	CAP - fuel tank (with gauge) (2-1/4" threads) use on metal tank	1
5	C 45334	CAP - fuel tank (with gauge) (2-1/4" threads) (use on plastic tank)	1
6	C 37812	NIPPLE - pipe 1/8"	1
7	C 37811	VALVE - shut off	1
8	131- 934	NUT - 1/4" - 20 flange lock	4
9	113- 1	BOLT - 1/4" - 20 x 1/2"	1
9	113- 3	BOLT - 1/4" - 20 x 3/4"	3
10	C 32455	CLIP - "J" fuel line	1
11	C 45333	TANK - fuel (2-1/4" filler tube) (plastic)	1
11	NSS	TANK - fuel (1-3/4" filler tube) (plastic) (use C45333, C45334)	1
12	C 45061	BRACKET - fuel tank	2
13	C 45062	STRAP - fuel tank	2
14	113- 5	BOLT - 1/4" - 20 x 1-1/2"	2
15	131- 71	NUT - 1/4" - 20 lock	2
16	113- 103	BOLT - 5/16" - 18 x 1"	2
17	131- 911	NUT - 5/16" - 18 flange lock	2
18	C 34189	CUSHION	2
19	C 43547	PUMP - fuel	1
20	C 43548	GASKET - fuel pump	1
21	C 10678	CONNECTOR - 90° hose	1
22	C 43549	CONNECTOR - hose	1
23	C 43550	SCREW - 1/4" - 20 x 5/8"	2
24	195- 521	WASHER - 5/16"	2



BASE ASSEMBLY

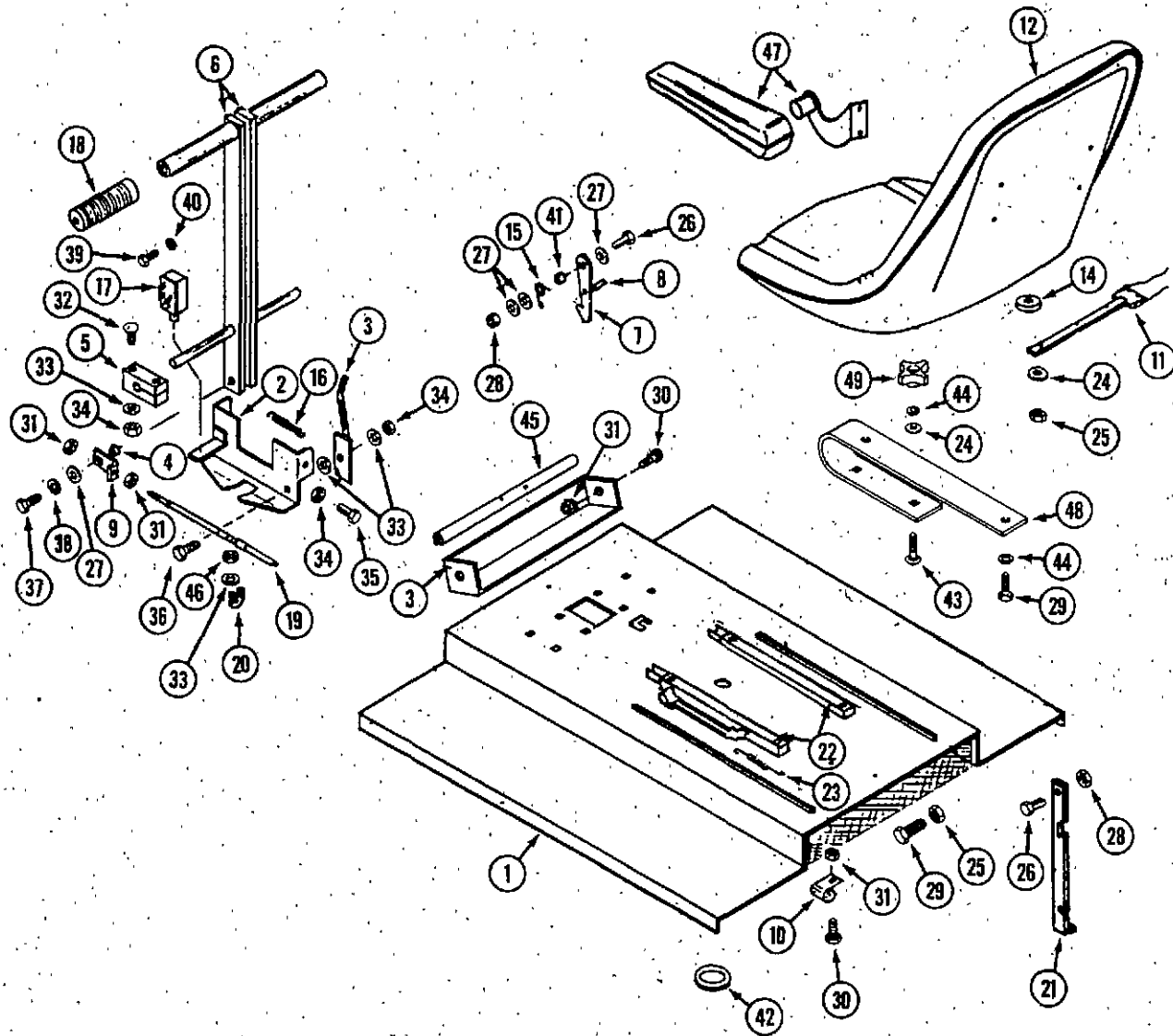
REF.	PART NO.	DESCRIPTION	REQ'D
1	C 42892	BASE - 5018 shown	1
1	C 41005	BASE - (5012, 5016)	1
2	C 37575	ARM - deck lift R.H.	1
3	C 37574	ARM - front L.H.	1
4	C 37573	ARM - front R.H.	1
5	C 37578	PIN - cross bar	1
6	C 37579	BAR - cross	1
7	C 37577	TUBE - wire	1
8	C 37583	LOCK - forward nose down	2
9	C 37585	TUBE - drive idler (5018 shown)	1
9	C 37603	TUBE - drive idler (5012, 5016)	1
10	C 37576	BUSHING - deck lift arm (3/8" long)	3
11	C 37586	BUSHING - pivot (1/2" long)	1
12	113- 417	BOLT - 1/2" - 13 x 1-1/4"	6
13	113- 441	BOLT - 1/2" - 13 x 2-1/4"	1
14	113- 210	BOLT - 3/8" - 16 x 3"	2
15	195- 106	WASHER - 1/2"	8
16	192- 23	LOCKWASHER - 1/2"	7
17	195- 104	WASHER - 3/8"	4
18	131- 938	NUT - flange lock 3/8" - 16	1
19	129- 105	NUT - 1/2" - 13	1
20	132- 310	PIN - cotter 1/8" x 1"	2
21	C 37595	SPRING - idler tension	1
22	C 15672	PULLEY - idler 2-1/4" O.D. (5018)	1
22	C 38864	PULLEY - idler (5012, 5016)	1
23	C 37597	SCREW - machine #10 - 32 x 5/8"	2
24	C 37521	SWITCH - safety	1
25	193- 1000	NUT - lock #10 - 32	2
26	C 38594	ARM - deck lift L.H.	1
27	131- 71	NUT - lock 1/4" - 20	4
28	129- 103	NUT - 3/8" - 16	5
29	192- 21	LOCKWASHER - 3/8"	3
30	113- 213	BOLT - 3/8" - 16 x 2-1/4" (5012, 5016)	1
31	C 37815	SPRING - lift assist	2
32	C 37816	CABLE - lift	2
33	113- 4	BOLT - 1/4" - 20 x 1"	4

BODY



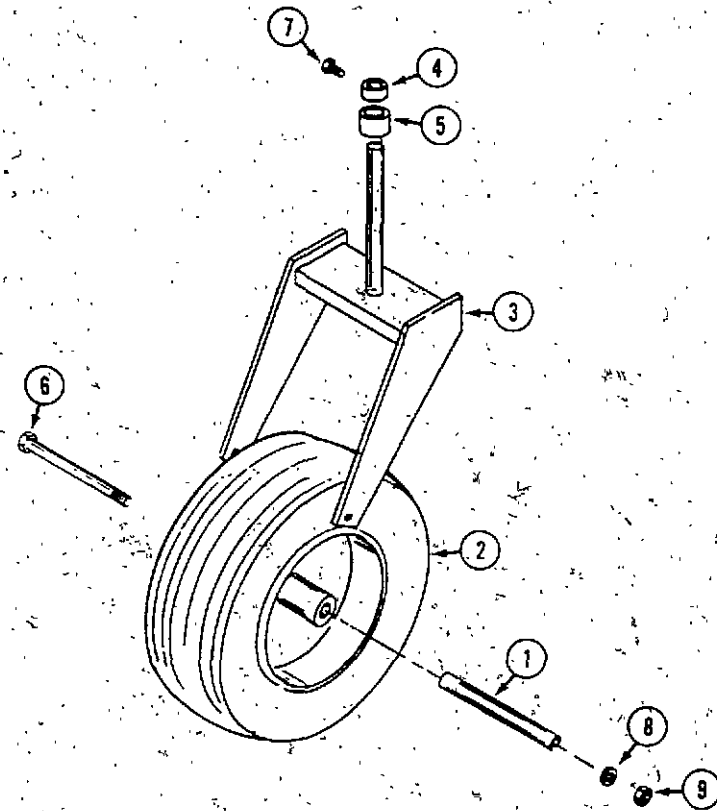
REF.	PART NO.	DESCRIPTION	REQ'D
1	C 44954	BODY - 5012, 5016, 5018 (use S/N 14175540 and after)	1
1	C 40992	BODY - 5018 (shown) (use before S/N 14175540)	1
1	C 40956	BODY - (5012, 5016) (use before S/N 14178249)	1
2	C 39534	FENDER - R.H. (shown) 5018	1
2	C 40645	FENDER - L.H. 5018	1
3	C 41163	COVER - back	1
4	C 44844	BAR - handle (optional)	1
5	C 37824	BEARING - rear wheel fork	2
6	C 37810	WEIGHT - tail (optional for 5012)	1
7	C 41944	STUD - fastener	1
8	C 41945	GROMMET - fastener	1
9	C 42053	PANEL - dash	1
10	C 37958	WEIGHT - tail 13 lb. (optional for 5012)	2
11	C 37598	NUT - lock #10 - 32	2
12	182- 528	SCREW - #10 - 32 x 1/2"	2
13	C 37828	SHIELD - heat	1
14	C 37829	TRIM - 9"	1
15	C 37830	TRIM - 12-3/4"	1
16	113- 103	BOLT - 5/16" - 18 x 1"	2
17	192- 20	LOCKWASHER - 5/16"	2
18	195- 103	WASHER - 5/16"	2
19	113- 259	BOLT - 3/8" - 16 x 4-1/2"	2
20	131-1352	NUT - 3/8" - 16 flange lock	2
21	113- 425	BOLT - 1/2" - 13 x 3"	4
22	131- 70	NUT - 1/2" lock	4
23	C 25165	GROMMET	1
24	C 37818	MOUNT - body, rubber	8
25	C 37581	WASHER - mount, body	4
26	C 39524	PAD - fender (5018)	2
27	C 39525	PAD - footrest, front L.H.	1
27	C 39526	PAD - footrest, front R.H. (shown)	1
28	C 40725	PAD - footrest, rear L.H. (5018)	1
28	C 40726	PAD - footrest, rear R.H. (shown) (5018)	1
28	C 39537	PAD - footrest, rear L.H. (5012, 5016)	1
28	C 39538	PAD - footrest, rear R.H. (5012, 5016)	1
29	C 42061	SKIRT - L.H. (5018)	1
29	C 42062	SKIRT - R.H. (shown) (5018)	1
29	C 41167	SKIRT - L.H. (5016)	1
29	C 41171	SKIRT - R.H. (5016)	1
29	C 41175	SKIRT - L.H. (5012)	1
29	C 41179	SKIRT - R.H. (5012)	1
30	113- 118	BOLT - 5/16" - 18 x 5/8"	4
31	195- 103	WASHER - 5/16"	4
32	131- 911	NUT - 5/16" - 18 flange lock	8
33	C 34808	BOLT - 1/4" - 20 x 3/4" self-tap (5012, 5016)	8
33	C 42056	BOLT - 5/16" - 18 x 5/8" black	10
33	C 42057	BOLT - 5/16" - 18 x 1-3/4" black	4
34	C 39533	PLATE - face	1
35	131- 971	NUT - #8 - 32 flange lock	2
36	C 44035	TRIM - 27" (cut to length)	1
37	C 37817	BUMPER - nylon	4
39	C 37631	GRIP - handle	1
40	111- 132	BOLT - 5/16" - 18 x 3/4" carriage	UAR
40	C 42056	SCREW - 5/16" - 18 x 5/8" black	UAR
41	182- 573	SCREW - #10 - 24 x 1/2"	4
41	C 39403	SCREW - #12 x 1/2"	4
42	192- 19	LOCKWASHER - 1/4" (5012, 5016)	8
43	C 34117	NUT - #10 - 24 flange lock	2

SEAT LID AND STEERING



REF.	PART NO.	DESCRIPTION	REQ'D
1	C 44237**	LID - seat	1
1	C 38054**	LID - seat	1
2	C 37840	BRACKET - lever lock	1
3	C 37841	LATCH - lever lock	1
4	C 42895	BUSHING - (also order C42896)	2
5	C 37842	BEARING - block	4
6	C 37843*	LEVER - steering	2
6	C 44915**	LEVER - steering	2
7	C 44481	LATCH - seat lid	1
8	NSS	BOLT - latch, seat lid (use C44481)	1
9	C 42896	BRACKET - steering cable end (also order C42895)	4
10	C 32455	RETAINER - harness, seat lid	1
11	C 37520	SWITCH - seat	1
12	C 37847	SEAT	1
12	C 43201**	SEAT	1
13	C 37826	PLATE - lid filler	1
14	C 37850*	SPACER - seat	4
15	C 37851	SPRING - latch, seat lid	1
16	C 37837	SPRING - bracket, lever lock	1
17	C 37521	SWITCH - safety	1
18	C 37631	GRIP - handle	2
19	NSS	CABLE - steering (5018) (see page 37)	2
19	C 37705	CABLE - steering (5012, 5016)	2
20	C 37616	CLAMP - steering cable	UAR
21	C 37852	PROP - seat lid	1
22	C 37848*	KIT - seat slide rail (pair)	1
23	C 37853	SPRING - seat	1
24	195- 103	WASHER - 5/16"	8
25	131- 69	NUT - 5/16"	4
26	113- 4	BOLT - 1/4" - 20 x 1"	2
27	195- 520	WASHER - 1/4"	3
28	131- 71	NUT - 1/4" - 20 lock	3
29	113- 103	BOLT - 5/16" - 18 x 1"	6
30	182- 528	SCREW - #10 - 32 x 1/2"	3
31	193- 1000	NUT - #10 - 32	7
32	111- 114	BOLT - 1/4" - 20 x 1-1/2" carriage	8
33	195- 102	WASHER - 1/4"	10
34	131- 71	NUT - 1/4" - 20 lock	11
35	113- 3	BOLT - 1/4" - 20 x 3/4"	2
36	C 42359	BOLT 1/4" - 20 x 2"	1
37	113- 3	BOLT - 1/4" - 20 x 3/4"	2
38	192- 19	LOCKWASHER - 1/4"	2
39	182- 525	SCREW - #10 - 32 x 3/8"	1
40	192- 18	LOCKWASHER - 3/16"	1
41	C 44498	SPACER	1
42	C 37787	GROMMET - 1/2" x 1"	UAR
42	C 25165	GROMMET - 1" x 1-3/4"	UAR
43	111- 204	BOLT - 5/16" - 18 x 1"	4
44	192- 20	LOCKWASHER - 5/16"	8
45	C 41956	TRIM - (23-1/2" piece, cut to length)	1
46	131- 71	NUT - 1/4" - 20 lock	UAR
47	NSS	KIT - arm rest (optional) (order as machinery item GDS13)	-
	C 22947	TIE - nylon	1
48	C 43137**	SPRING - seat	2
49	C 43438**	KNOB - seat	4

*use before S/N:
 **use S/N and after:
 5012 - all before
 5016 - 14178234
 5018 - 14175495

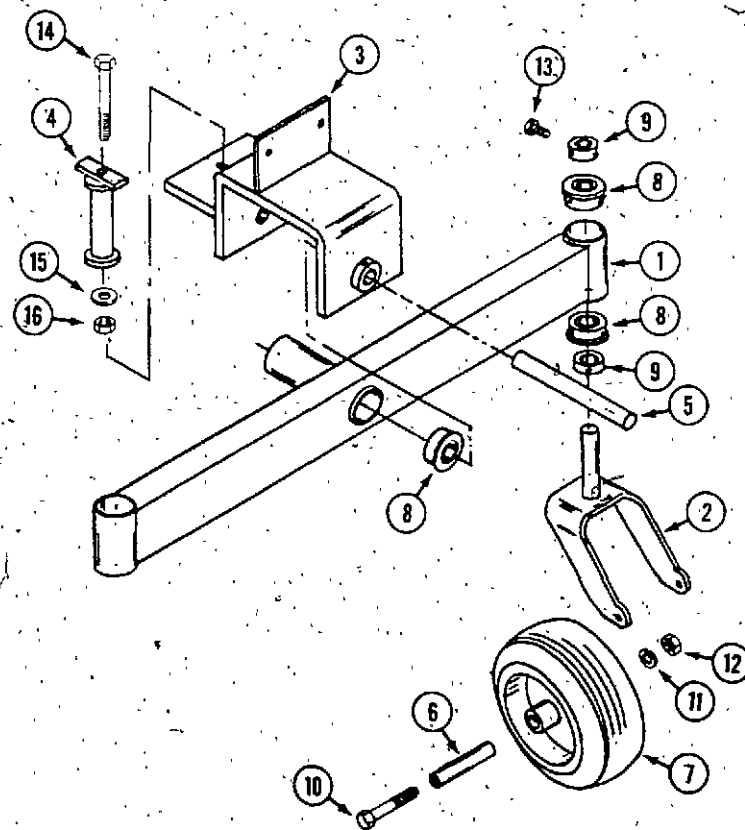


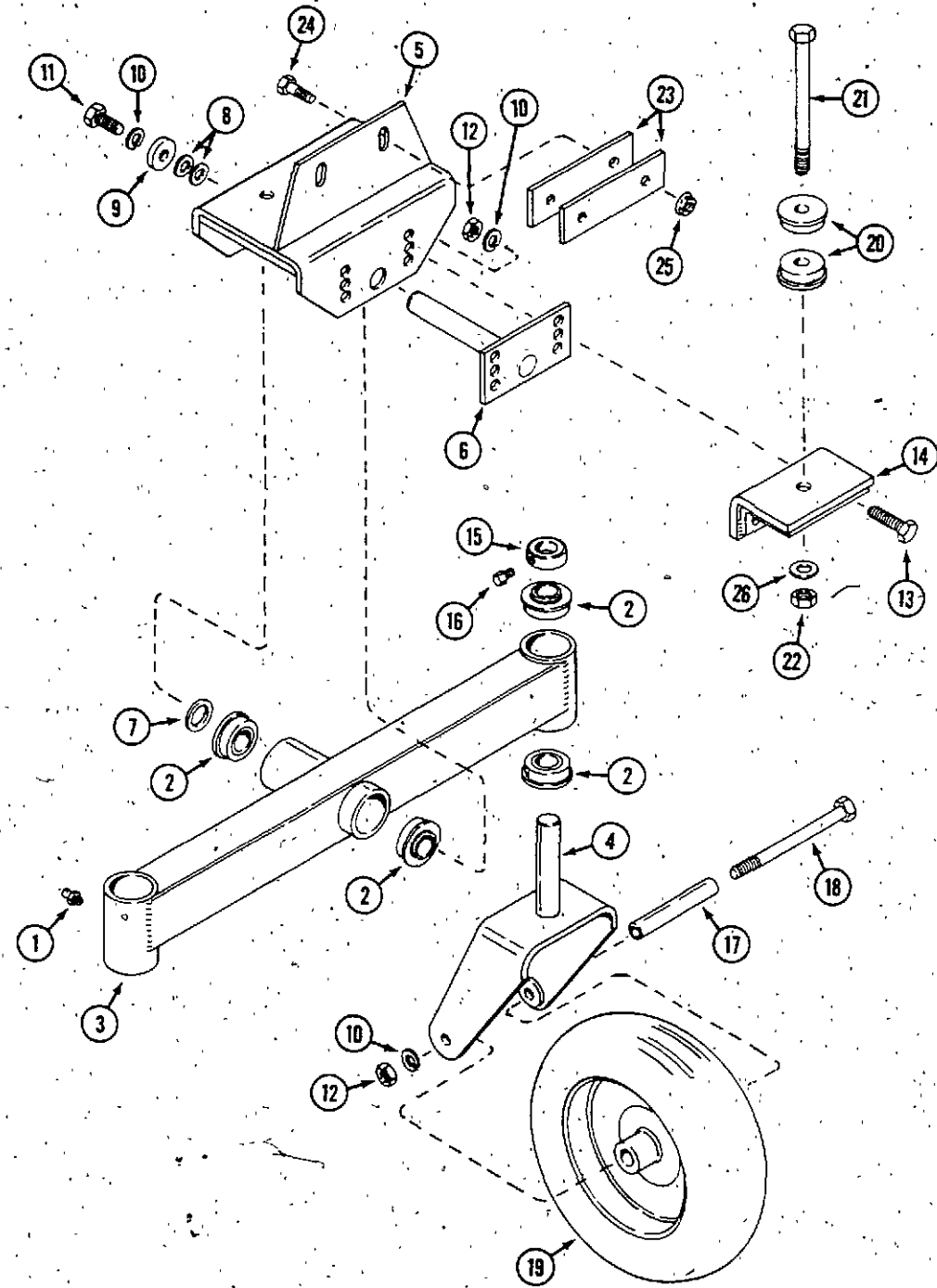
SINGLE TAIL WHEEL

REF.	PART-NO.	DESCRIPTION	REQ'D
1	C 38027	AXLE - wheel (5012, 5016)	1
1	C 37854	AXLE - wheel (5018)	1
2	C 38028	WHEEL ASSEMBLY - tail (5012, 5016)	1
	C 42624	BEARING - wheel (5012, 5016)	2
	C 38029	TIRE - 15 x 6.00 - 6 (5012, 5016)	1
	C 38232	RIM - 6" (5012, 5016) (includes bearings)	1
2	C 37855	WHEEL ASSEMBLY - tail (5018)	1
	C 42624	BEARING - wheel (5018)	2
	C 37857	TIRE - 15 x 6.50 - 8 (5018)	1
	C 37858	RIM - 8" (5018) (includes bearings)	1
3	C 39015	FORK - tail wheel (5012, 5016)	1
3	C 37859	FORK - tail wheel (5018)	1
4	C 37860	COLLAR - set 1"	1
5	C 37861	SPACER - tail wheel fork	1
6	C 38055	BOLT - 1/2" - 13 x 8-1/2" (5012, 5016)	1
6	113- 452	BOLT - 1/2" - 13 x 9-1/2" (5018)	1
7	85- 58	SCREW - set 5/16" - 18 x 1/2" square head	1
8	192- 23	LOCKWASHER - 1/2"	1
9	129- 105	NUT - 1/2" - 13	1
	219- 92	FITTING - grease 90° 1/4" - 28 self tap (caster pivot)	1

DUAL TAIL WHEEL (DW10)

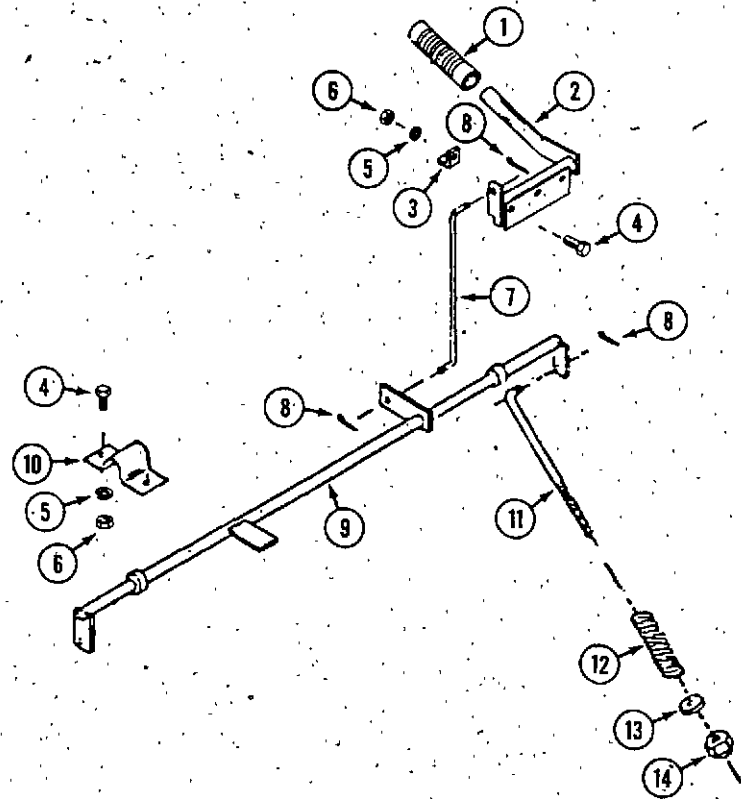
1	C 37863	AXLE - dual wheel	1
2	NSS	FORK - tail wheel (use C45645 and 113-448)	2
3	C 37865	BRACKET - mounting	1
4	C 37866	TUBE - block	1
5	C 38230	PIVOT - axle	1
6	C 37915	AXLE - wheel	2
7	C 37869	WHEEL ASSEMBLY	2
	C 37872	BEARING - wheel	2
	C 37870	TIRE - 13 x 5.00 - 6	2
	C 37871	RIM	2
8	C 37824	BEARING - 1"	6
9	C 37860	COLLAR - set 1"	4
10	113- 2419	BOLT - 1/2" - 13 x 6-1/2"	2
11	192- 23	LOCKWASHER - 1/2"	2
12	129- 105	NUT - 1/2" - 13	2
13	C 37756	SCREW - set 5/16" - 18 x 1/2" square head	4
	219- 20	FITTING - grease 1/4" - 28 self tap (castor pivot)	1
14	C 38055	BOLT - 1/2" - 13 x 8-1/2"	1
15	195- 106	WASHER - 1/2"	1
16	131- 70	NUT - 1/2" - 13 lock	1





DTW10 DUAL TAIL WHEEL

REF.	PART NO.	DESCRIPTION	REQ'D
1	219- 20	FITTING - lubrication 1/4" - 28	3
2	C 37824	BEARING - ball 1"	6
3	C 45610	AXLE - dual wheel	1
4	C 45645	FORK - wheel	2
5	C 45618	MOUNT - axle	1
6	C 45689	ROD - axle pivot	1
7	C 14919	WASHER - 1" x 1-3/4"	UAR
8	C 37004	WASHER - 1/2" x 1"	UAR
9	C 45841	WASHER - 1/2" x 1-3/8"	1
10	192- 23	LOCKWASHER - 1/2"	5
11	113- 417	BOLT - 1/2" - 13 x 1-1/4"	1
12	129- 105	NUT - 1/2" - 13	4
13	113- 412	BOLT - 1/2" - 13 x 1-3/4"	2
14	C 45708	MOUNT - axle, front extension	1
15	C 37860	COLLAR - set 1"	2
16	85- 58	SCREW - set 5/16" - 18 x 1/2" square head	1
17	C 37915	TUBE - axle	2
18	113- 448	BOLT - 1/2" - 13 x 7"	2
19	C 37869	WHEEL ASSEMBLY	2
	C 37872	BEARING - wheel	2
	C 37870	TIRE - 13 x 5.00 - 6	1
	C 37871	RIM	1
20	C 45711	BUSHING - tail wheel hub	2
21	113- 646	BOLT - 5/8" - 11 x 7-1/2"	UAR
21	113- 2606	BOLT - 5/8" - 11 x 11"	UAR
22	131- 356	NUT - 5/8" - 11	1
23	C 45746	PLATE - stiffener	2
24	113- 208	BOLT - 3/8" - 16 x 1-1/4"	2
25	131- 1352	NUT - 3/8" - 16 flange lock	2
26	195- 541	WASHER - 5/8" x 1-1/2"	1

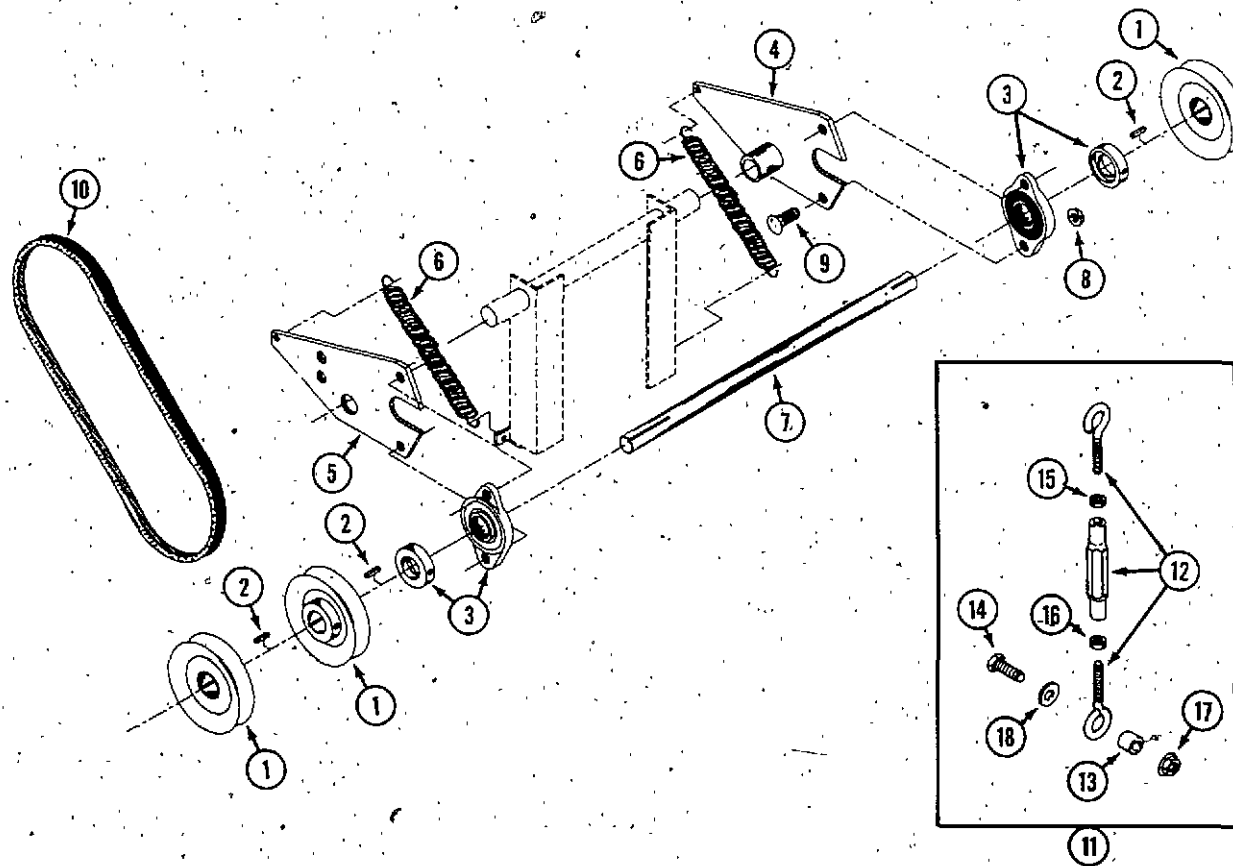


PARKING BRAKE
(also see drive assembly)

REF.	PART NO.	DESCRIPTION	REQ'D
1	C 37631	GRIP - handle	1
2	C 37604	HANDLE - brake	1
3	C 37630	BRACKET - stop (5018)	1
4	113- 3	BOLT - 1/4" - 20 x 3/4"	4
5	192- 19	LOCKWASHER - 1/4"	4
6	129- 101	NUT - 1/4" - 20	4
7	C 37606	ROD - brake (5012, 5016)	1
7	C 37822	ROD - brake (5018)	1
8	132- 332	PIN - cotter 3/32" x 1"	2
9	C 37985	ROD - cross, brake (5018 brake rod not replacable) (5012, 5016)	1
10	C 37607	BEARING - cross rod (5012, 5016)	2
11	C 37986	ROD - caliper (5018 see drive assembly) (5012, 5016)	2
12	C 37987	SPRING - compression (5012, 5016) (5018 see drive assembly)	2
13	195- 102	WASHER 1/4"	2
14	131- 71	NUT - lock 1/4" - 20	2

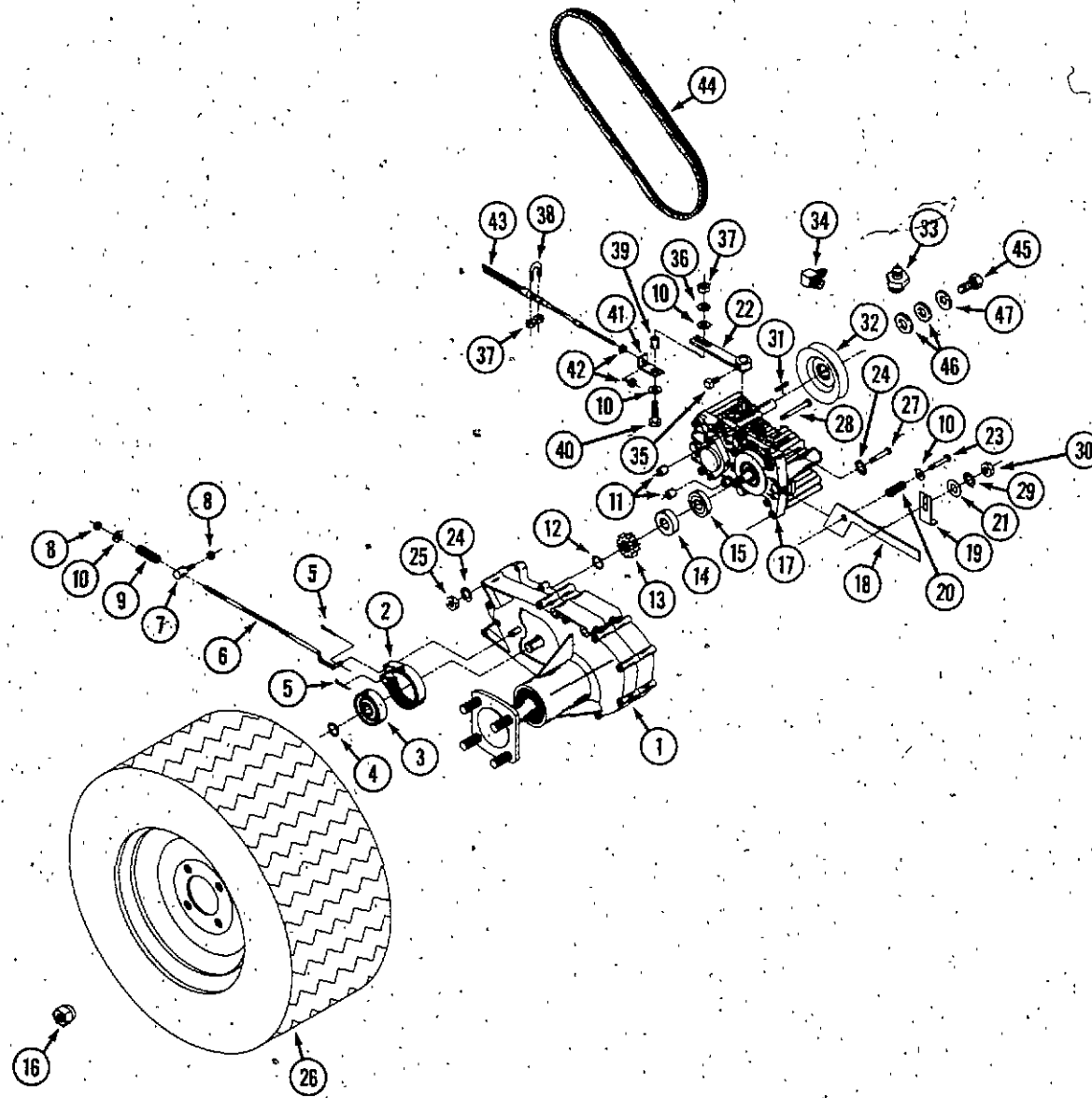
PUMP DRIVE CROSS SHAFT
(5018)

1	C 37770	PULLEY - 4" OD x 3/4" ID (use 83-55 set screw)	3
2	C 29581	KEY - 3/16" x 3/16" x 1"	3
3	C 37773	BEARING - flanged (includes locking collar)	2
4	C 37774	MOUNT - bearing L.H.	1
5	C 37775	MOUNT - bearing R.H.	1
6	C 37776*	SPRING - extension	2
7	C 45777	SHAFT - cross	1
8	131- 911	NUT - 5/16 - 18 flange lock	4
9	111- 203	BOLT - 5/16" - 18 x 1" carriage	4
10	C 24342	BELT - drive (use PIN 14175410 and after) 36"	1
10	C 38406*	BELT - drive (use before PIN 14175410) 34"	1
11	C 45420	KIT - belt tension	1
12	C 45123	TURNBUCKLE	2
13	C 45146	SPACER	2
14	113- 209	BOLT - 3/8" - 16 x 1-1/2"	2
15	129- 103	NUT - 3/8" - 16	2
16	129- 175	NUT - 3/8" - 16 L.H. threads	2
17	131- 938	NUT - 3/8" - 16 flange lock	2
18	195-2029	WASHER	2



*Prior to PIN 14175410 the use of C24342 belt can be recommended. It is a longer belt, permitting increased belt adjustment. Removal of two air fins on the body side is required to allow for the new belt path.

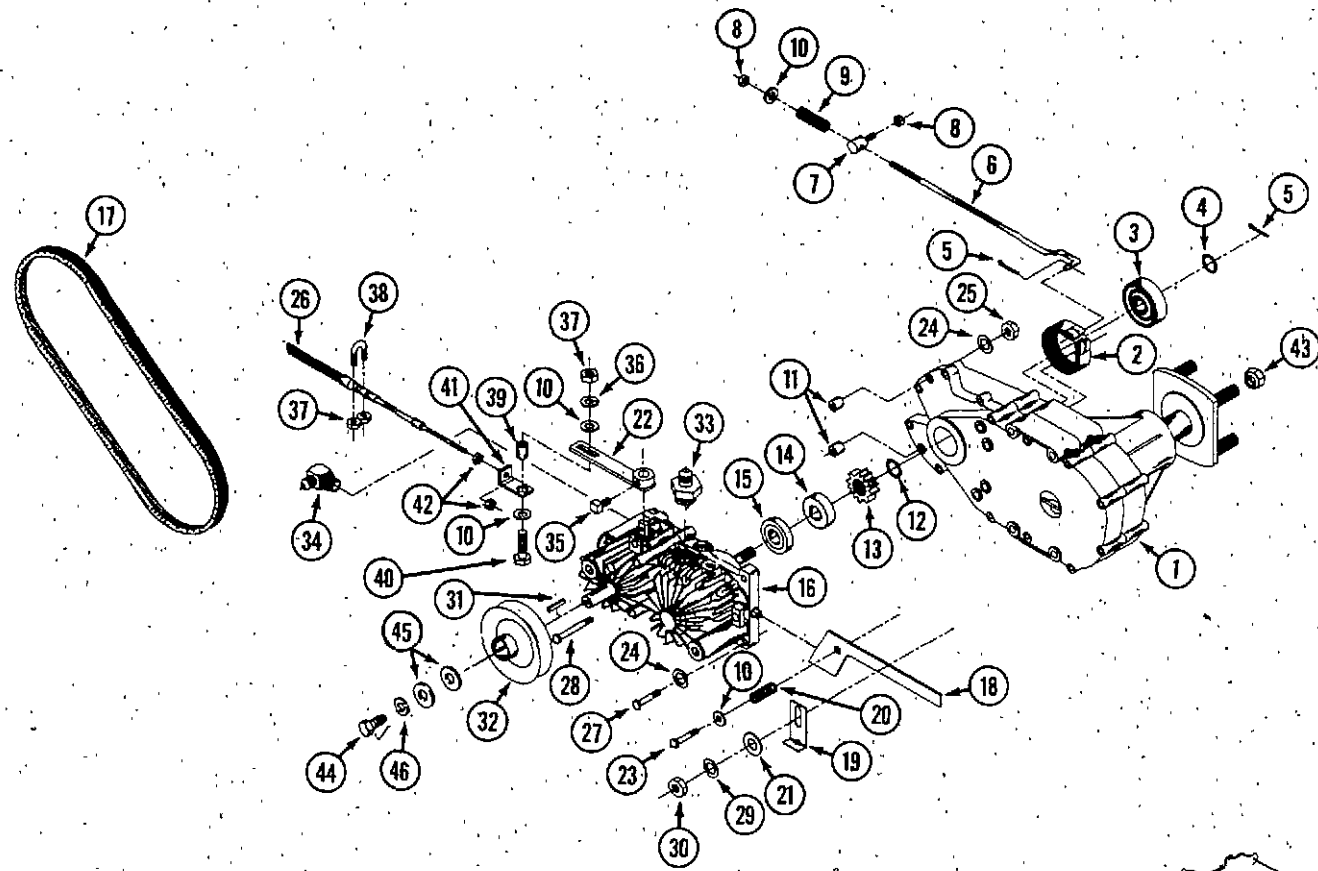
**DRIVE ASSEMBLY R.H.
(5018)**



REF.	PART NO.	DESCRIPTION	REQ'D
1	C 37729	TRANSMISSION - ZT	1
2	C 37730	BAND - brake	1
3	C 37731	DRUM - brake	1
4	C 37732	RING - snap	1
5	132- 332	PIN - cotter 1/8" x 1"	2
6	C 37733	ROD - brake	1
7	C 37724	COLLAR - brake rod	1
8	131- 71	NUT - lock 1/4" - 20	2
9	C 37725	SPRING	1
10	195- 102	WASHER - 1/4"	5
11	C 37736	SPACER	2
12	C 37737	RING - snap	1
13	C 37738	GEAR	1
14	C 37739	BEARING	1
15	C 37740	SPACER	1
16	C 37657	NUT - lug 1/2" - 20	4
17	C 45399	PUMP - hydró R.H. (also use C45408 before S/N 14175499)	1
18	C 37742	LEVER - transmission dump (use before S/N 14175495) shown	1
19	C 37743	BRACKET - dump lever stop	1
20	C 37744	SPRING - compression	1
21	C 37745	WASHER - 3/8"	1
22	NSS	ARM - transmission (see page 37)	1
23	C 37747	BOLT - dump valve	1
24	192- 21	LOCKWASHER - 5/16"	4
25	129- 103	NUT - 5/16" - 18	2
26	C 37763	WHEEL ASSEMBLY	1
	C 37652	TIRE - 18 x 9.50 - 8	1
	C 37656	RIM - wheel	1
27	113- 120	BOLT - 5/16" - 18 x 1-3/4"	2
28	113- 134	BOLT - 5/16" - 18 x 7-1/2"	2
29	C 37591	LOCKWASHER - 3/8"	1
30	C 37592	NUT - 3/8" - 16	1
31	C 37752	KEY - 5 x 5 x 25 mm	1
32	NSS*	PULLEY - 4" OD x 15 mm ID (use C45272)	1
32	C 45272**	PULLEY - 4" OD x 15 mm ID (also use C32199 set screw)	1
33	C 37754	ADAPTER	1
34	C 37755	ADAPTER - 90°	1
35	C 37756	SCREW - set 5/16" - 18 x 1/2" square head	1
36	C 37757	LOCKWASHER - 1/4"	1
37	131- 1102	NUT - 1/4" - 20	3
38	C 37616	CLAMP - cable	1
39	C 37615	BUSHING - cable	1
40	113- 4	BOLT - 1/4" - 20 x 1"	1
41	C 37614	BRACKET - cable end	1
42	193- 1000	NUT - lock #10 - 32	4
43	NSS	CABLE - steering 58" (see page 37)	1
44	C 37761	BELT - pump drive	1
45	C 45273	BOLT - M6 - 1.0 x 12m flange	2
46	195- 2063	WASHER - 5/8" x 1"	UAR
46	C 25178	WASHER - 5/8" x 1" x .020"	2
47	195- 520	WASHER - 5/16" x 7/8"	1
48	C 45166	LEVER - transmission dump R.H. (use S/N 14175495 and after)	1

NOTE: See page 39 for steering cable kit.

*use before S/N 14175513
**use S/N 14175513 and after

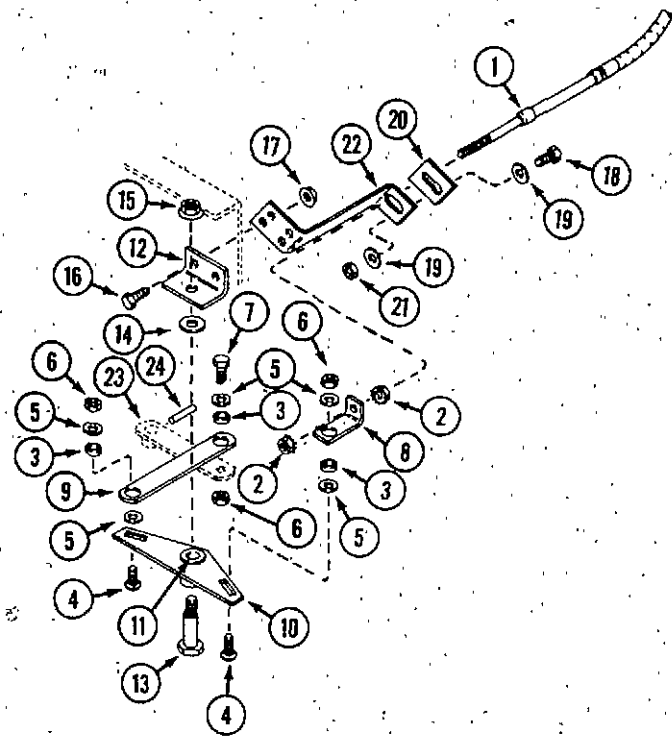


MODEL 5012, 5016 AND 5018 FRONT CUT MOWERS

DRIVE ASSEMBLY L.H.
(5018)

REF.	PART NO.	DESCRIPTION	REQ'D
1	C 37729	TRANSMISSION - ZT	1
2	C 37730	BAND - brake	1
3	C 37731	DRUM - brake	1
4	C 37732	RING - snap	1
5	132- 332	PIN - cotter 1/8" x 1"	2
6	C 37733	ROD - brake	1
7	C 37724	COLLAR - rod	1
8	131- 71	NUT - lock 1/4" - 20	2
9	C 37725	SPRING	1
10	195- 102	WASHER - 1/4"	5
11	C 37736	SPACER	2
12	C 37737	RING - snap	1
13	C 37738	GEAR	1
14	C 37739	BEARING	1
15	C 37740	SPACER	1
16	C 45398	PUMP - hydro L.H. (also use C45408 before S/N 14175499)	1
17	C 37761	BELT - pump drive	1
18	C 37742	LEVER - transmission dump (use before S/N 14175495) shown	1
18	C 45165	LEVER - transmission dump (use S/N 14175495 and after)	1
19	C 37743	BRACKET - dump lever stop	1
20	C 37744	SPRING - compression	1
21	C 37765	WASHER - 3/8"	1
22	NSS	ARM - transmission (see page 37)	1
23	C 37748	BOLT - dump lever	1
24	192- 21	LOCKWASHER - 5/16"	4
25	129- 103	NUT - 5/16" - 18	2
26	NSS	CABLE - steering 58" (see page 37)	1
27	113- 120	BOLT - 5/16" - 18 x 1-3/4"	2
28	C 37751	BOLT - 5/16" - 18 x 7-1/2"	2
29	C 37591	LOCKWASHER - 3/8"	1
30	C 37592	NUT - 3/8" - 16	1
31	C 37752	KEY - 5 x 5 x 25 mm	1
32	NSS*	PULLEY - 4" OD x 15 mm ID (use C45272)	1
32	C 45272	PULLEY - 4" OD x 15 mm ID (also use C322199 set screw)	1
33	C 37754	FITTING - male adaptor	1
34	C 37755	FITTING - male adaptor 90°	1
35	C 37756	SCREW - set 5/16" - 18 x 1/2" square head	1
36	C 37757	LOCKWASHER - 1/4"	1
37	131- 1102	NUT - 1/4" - 20	3
38	C 37616	CLAMP - cable	1
39	C 37615	BUSHING - cable	1
40	113- 4	BOLT - 1/4" - 20 x 1"	1
41	C 37614	BRACKET - cable end	1
42	193- 1000	NUT - lock #10 - 32	4
	C 37763	WHEEL ASSEMBLY - not shown	1
	C 37652	TIRE - 18 x 9.50-8	1
	C 37656	RIM - wheel	1
43	C 37657	NUT - lug 1/2" - 20	4
44	C 45273	BOLT - M6 - 1.0 x 12 mm flange	1
45	195- 2063	WASHER - 5/8" x 1"	UAR
46	195- 520	WASHER - 5/16" x 7/8"	1

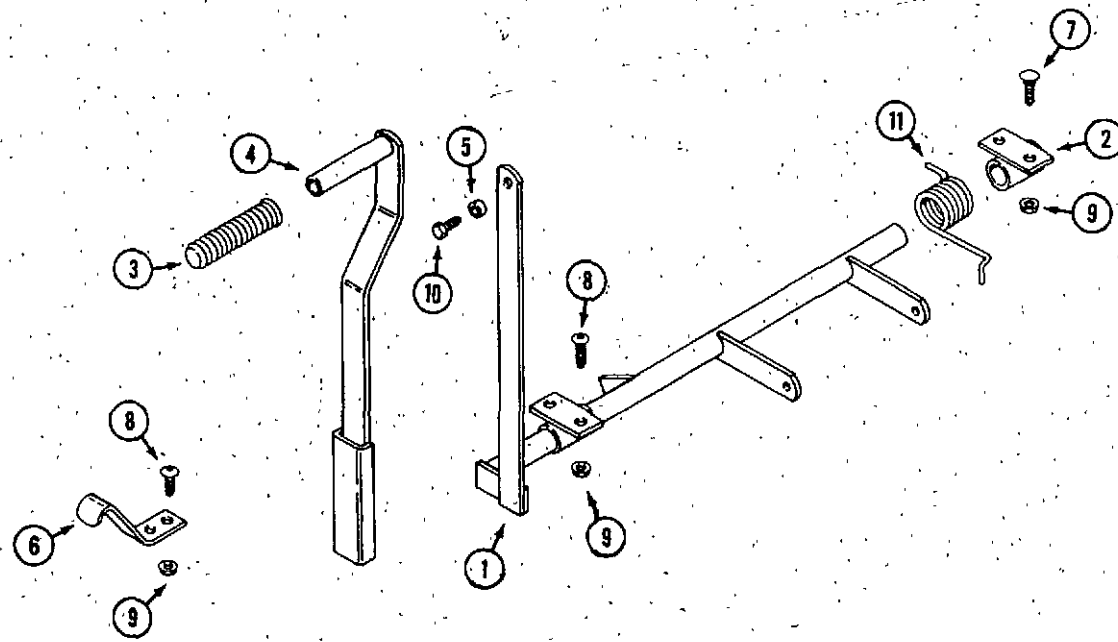
NOTE: See page 37 for steering cable kit.



MODEL 5012, 5016 AND 5018 FRONT CUT MOWERS

C43293 STEERING CABLE KIT
(includes cables and hardware for both sides)

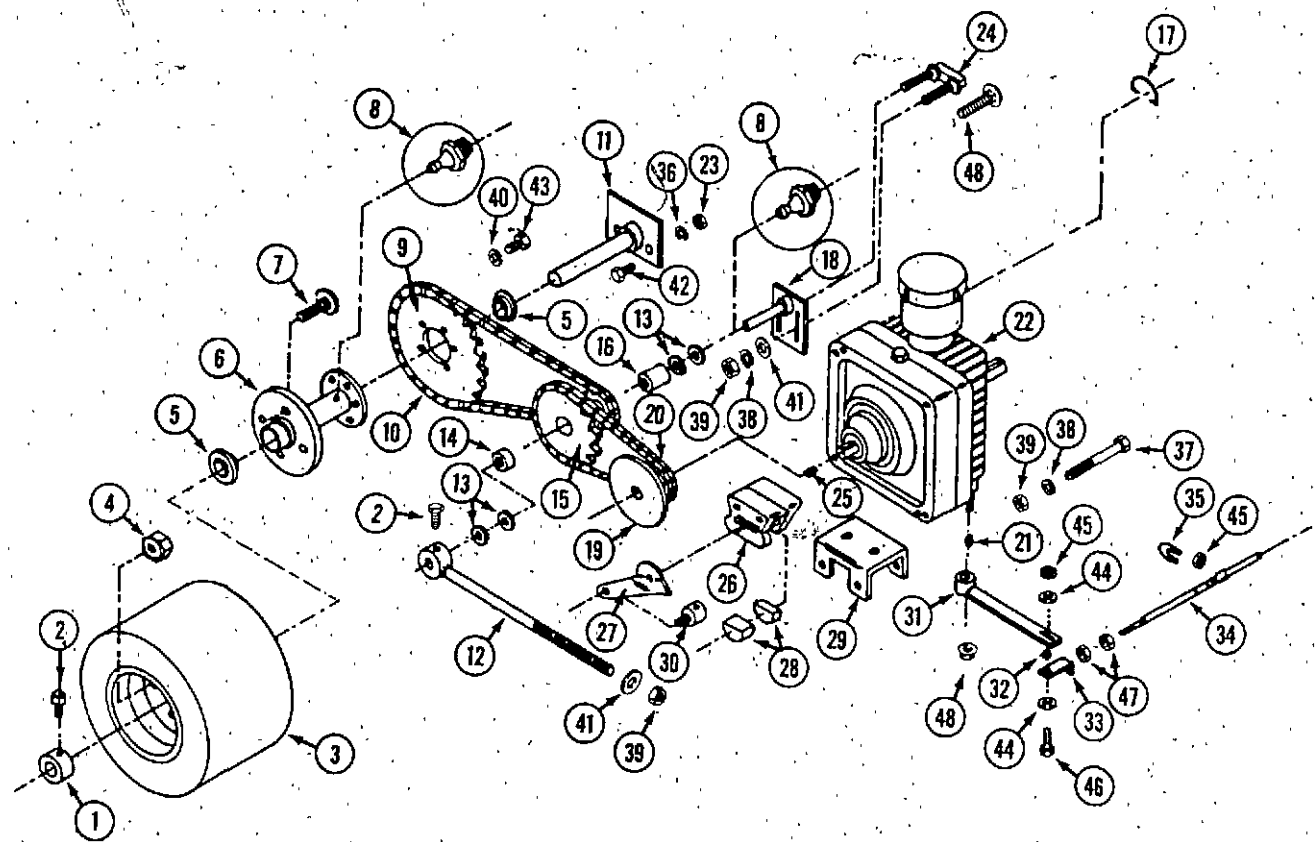
REF.	PART NO.	DESCRIPTION	REQ'D
1	C 42894	CABLE - steering 46"	2
2	C 37598	NUT - #10 - 32	8
3	C 42895	BUSHING - steering cable	8
4	111- 111	BOLT - 1/4" - 20 x 1" carriage	4
5	195- 102	WASHER - 1/4"	10
6	131- 71	NUT - 1/4" - 20	6
7	113- 4	BOLT - 1/4" - 20 x 1"	2
8	C 42896	BRACKET - steering cable end	4
9	C 42897	LINK - control cable	2
10	C 42898	BELLCRANK	2
11	C 16714	BUSHING	1
12	C 42901	BRACKET - bellcrank mounting	2
13	C 16745	BOLT - shoulder	2
14	195- 533	WASHER - 1/2"	2
15	131- 1352	NUT - 3/8" - 16 flange lock	2
16	113- 103	BOLT - 5/16" - 18 x 1"	4
17	131- 911	NUT - 5/16" - 18	4
18	113- 4	BOLT - 1/4" - 20 x 1"	2
19	195- 102	WASHER - 1/4"	4
20	C 42903	PLATE - cable mounting	2
21	131- 71	NUT - 1/4" - 20 lock	2
22	C 42902	BRACKET - cable mounting	2
23	C 42904	ARM - transmission	2
24	C 34173	PIN - spring	2



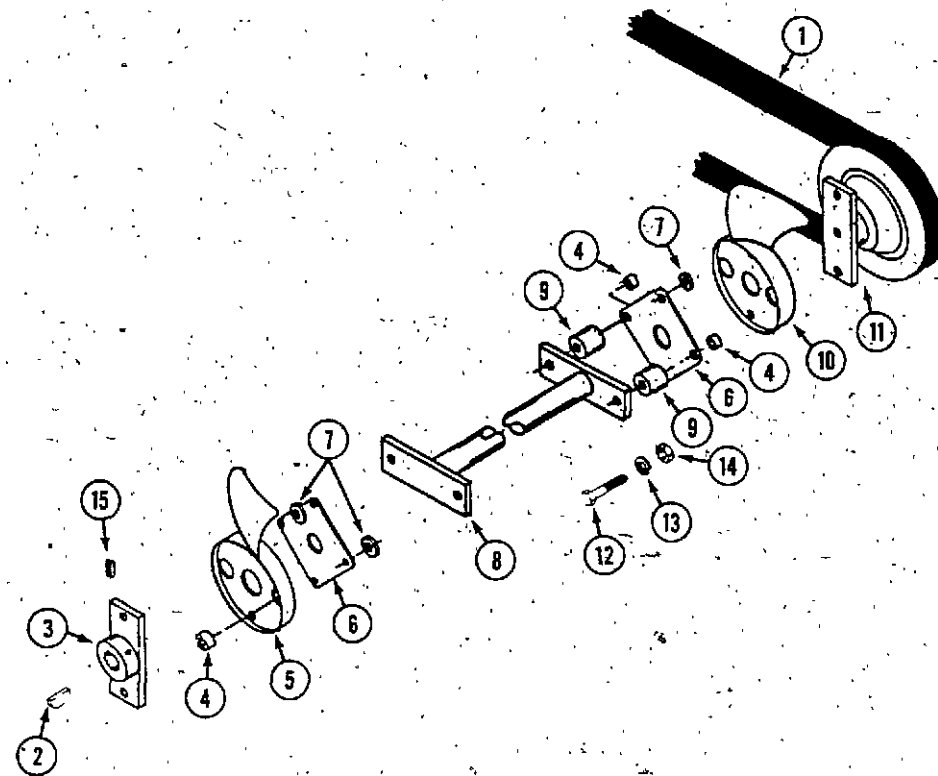
LIFT LEVER
5016 - S/N 14178249 and after
5018 - S/N 14175540 and after

1	C 44942	LEVER - lift	1
2	C 44948	PIVOT - lift	1
3	C 37631	GRIP - handle	1
4	C 44949	EXTENSION - lift lever, upper	1
5	C 42895	BUSHING	1
6	C 44952	BRACKET - lever lock down	1
7	111- 132	BOLT - carriage 5/16" - 18 x 3/4"	4
8	C 42056	SCREW - 5/16" - 18 x 5/8" allen head	2
8	C 44959	SCREW - 5/16" - 18 x 3/4"	4
9	131- 911	NUT - 5/16" - 18 flange lock	8
10	113- 1	BOLT - 1/4" - 20 x 1/2"	1
11	C 45120	SPRING - torsion	1

TRANSMISSION AND DRIVE CHAINS
(5012, 5016)



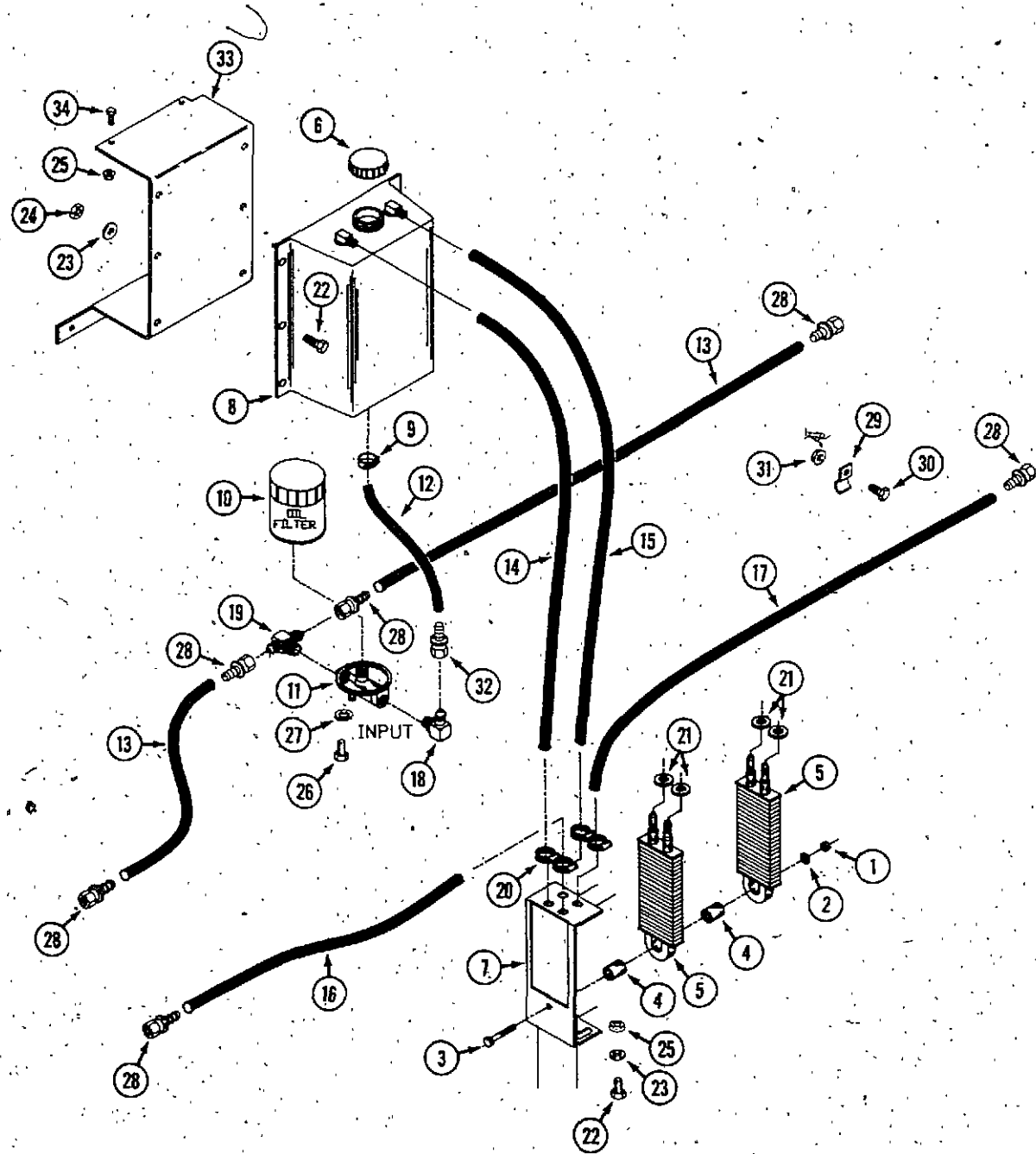
REF.	PART NO.	DESCRIPTION	REQ'D
1	C 37860	COLLAR - set 1"	2
2	C 37756	SCREW - set 5/16" - 18 x 1/2" square head	2
3	C 37988	WHEEL ASSEMBLY - drive	2
	C 37989	TIRE - 16 x 7.50 - 8	1
	C 37990	RIM - wheel	1
4	C 37657	NUT - lug 1/2" - 20	8
	C 37992	HUB ASSEMBLY (5012)	2
5	C 37824	BEARING - wheel	2
6	C 37991	HUB - wheel (5012)	1
6	C 38993	HUB - wheel (5016)	2
7	C 37661	BOLT - lug 1/2" - 20 x 1-1/4"	4
8	C 37993	FITTING - grease 1/4" - 28 self tapping	1
9	C 37994	SPROCKET - final drive	1
10	C 37996	CHAIN - final drive (5012)	2
10	C 44081	CHAIN - final drive, No. 40 (5016)	2
	C 28983	LINK - offset (5016)	1
	C 28982	LINK - connecting (5016)	1
11	C 37997	AXLE - drive wheel (5012)	2
11	C 38859	AXLE - drive wheel (5016)	2
12	C 37998	COLLAR - support	2
13	C 37999	WASHER - 3/4" 10 ga.	8
14	C 38000	BEARING - idler sprocket 1/2"	2
15	C 38002	SPROCKET - idler (includes bearings)	1
16	C 38003	BEARING - idler sprocket 3/4"	2
17	C 38004	CLIP - transmission dump valve	2
18	C 38005	SHAFT - idler sprocket	2
19	C 38006	SPROCKET - transmission (includes brake disc)	2
20	C 38007	CHAIN - primary drive (5012)	2
20	C 44083	CHAIN - primary drive No. 40 (5016)	2
	C 28982	LINK - connecting (5016)	1
21	C 37665	KEY - 1/8" x 3/8" Woodruff	2
22	C 38008	TRANSMISSION L.H. (shown) (CW)	1
22	C 38009	TRANSMISSION - R.H. (CCW)	1
	C 38010	DIAPHRAGM - transmission	1
	C 38011	KIT - seal	1
	C 38012	KIT - reservoir, transmission	1
23	129- 105	NUT - 1/2" - 13	4
24	C 38013	BAR - bolt	2
25	C 37664	KEY - woodruff 1/8" x 1/2"	2
	C 37626	BRAKE ASSEMBLY - L.H.	1
	C 37625	BRAKE ASSEMBLY - R.H.	1
26	C 37727	CALIPER - brake	1
27	C 38016	LEVER - caliper L.H.	1
27	C 38017	LEVER - caliper R.H.	1
28	C 37627	PAD - brake (set)	1
29	C 38018	BRACKET - caliper	1
30	C 37724	COLLAR - caliper rod	1
31	C 37698	ARM - transmission L.H.	1
31	C 37699	ARM - transmission R.H.	1
32	C 42895	BUSHING - cable end (5012 - also use C42896)	2
33	C 42896	END - steering cable (5012 - also use C42895)	2
34	C 37705	CABLE - steering	2
35	C 37616	CLAMP - steering cable	2
36	192- 23	LOCKWASHER - 1/2"	4
37	113- 241	BOLT - 3/8" - 16 x 3"	8
38	192- 21	LOCKWASHER - 3/8"	6
39	129- 103	NUT - 3/8" - 16	6
40	192- 20	LOCKWASHER - 5/16"	5
41	195- 104	WASHER - 3/8"	4
42	113- 410	BOLT - 1/2" - 13 x 1-1/2"	4
43	113- 103	BOLT - 5/16" 18 x 1"	5
44	195- 520	WASHER - 1/4"	4
45	131- 71	NUT - 1/4" - 20 lock	6
46	113- 4	BOLT - 1/4" - 20 x 1"	2
47	193- 1000	NUT - #10 - 32 lock	4
48	111- 366	BOLT - carriage 3/8" - 16 x 1-1/4"	4
49	131- 1352	NUT - 3/8" - 16 flange lock	2



MODEL 5012, 5016 AND 5018 FRONT CUT MOWERS

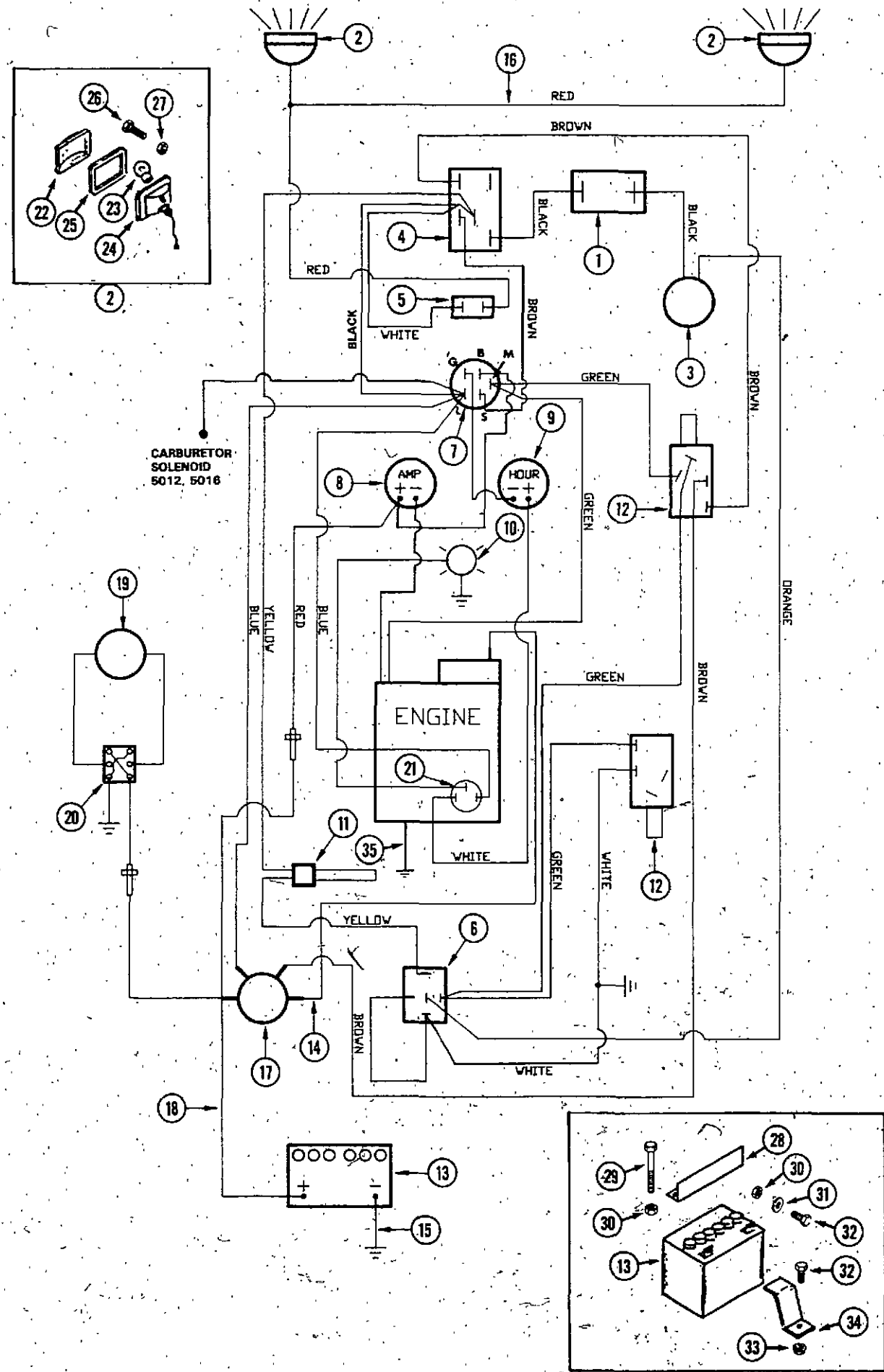
CROSS SHAFT (TRANSMISSION)
(5012, 5016)

REF.	PART NO.	DESCRIPTION	REQ'D
1	C 37995	BELT - transmissiop drive	1
2	C 37664	KEY - woodruff 1/8" x 1/2"	2
3	C 37694	HUB - drive plate	1
4	C 37702	SPACER - bolt	4
5	C 38014	FAN - CCW	1
6	C 37700	PLATE - drive	2
7	C 37704	WASHER - 1/4" 10 ga	6
8	C 38015	SHAFT - cross	1
9	C 37703	SPACER	2
10	C 38019	FAN - CW	1
11	C 37695	PULLEY - drive (includes drive plate)	1
12	113- 110	BOLT - 5/16" - 18 x 2-1/4"	UAR
12	113- 104	BOLT - 5/16" - 18 x 1-1/4"	UAR
12	113- 103	BOLT - 5/16" - 18 x 1"	UAR
13	192- 20	LOCKWASHER - 5/16"	8
14	129- 102	NUT - 5/16" - 18	8
15	84- 45	SCREW - set 1/4" - 28 x 3/8"	2



**HYDRAULIC SYSTEM
(5018)**

REF.	PART NO.	DESCRIPTION	REQ'D
1	131- 69	NUT - lock 5/16"	1
2	195- 103	WASHER - 5/16"	1
3	113- 119	BOLT - 5/16" - 18 x 2-3/4"	1
4	C 45495	BUSHING - rubber	2
5	C 37769	COOLER - oil	2
6	C 37639	CAP - oil tank	1
7	C 37772	MOUNT - oil cooler	1
8	C 37778	TANK - oil	1
9	214- 254	CLAMP - hose 5/8"	2
10	C 37637	FILTER - oil	1
11	C 37636	HEAD - oil filter	1
12	C 42785	HOSE - 5/8" x 11" (12" cut to length)	1
13	C 42784	HOSE - hydraulic 3/8" x 13" (48" cut to length)	1
14	C 42784	HOSE - hydraulic 3/8" x 25" (48" cut to length)	1
15	C 42784	HOSE - hydraulic 3/8" x 27" (48" cut to length)	1
16	C 42784	HOSE - hydraulic 3/8" x 38" (48" cut to length)	1
17	C 42784	HOSE - hydraulic 3/8" x 24" (48" cut to length)	1
18	C 37642	FITTING - male 90° adapter	1
19	C 37785	FITTING - male tee adapter	1
20	214- 274	CLAMP - hose 3/8"	4
21	C 37787	GROMMET - 1/2" ID x 1" OD	4
22	113- 3	BOLT - 1/4" - 20 x 3/4"	6
23	195- 102	WASHER - 1/4"	8
24	131- 1102	NUT - 1/4" - 20 lock	4
25	131- 934	NUT - 1/4" - 20 flange lock	2
26	C 41931	BOLT - 1/4" - 20 x 3/4" self-tap	2
27	192- 19	LOCKWASHER - 1/4"	2
28	C 41986	FITTING - 3/8" hose barb x 3/8" FM JIC	6
29	C 32455	CLIP - "J"	1
30	113- 102	BOLT - 5/16" x 18 x 3/4"	1
31	131- 911	NUT - 5/16" - 18 flange lock	1
32	C 41978	FITTING - 5/8" hose barb x 1/2" FM JIC	1
33	C 37807	MOUNT - oil tank	1
34	113- 3	BOLT - 1/4" - 20 x 1/2"	4



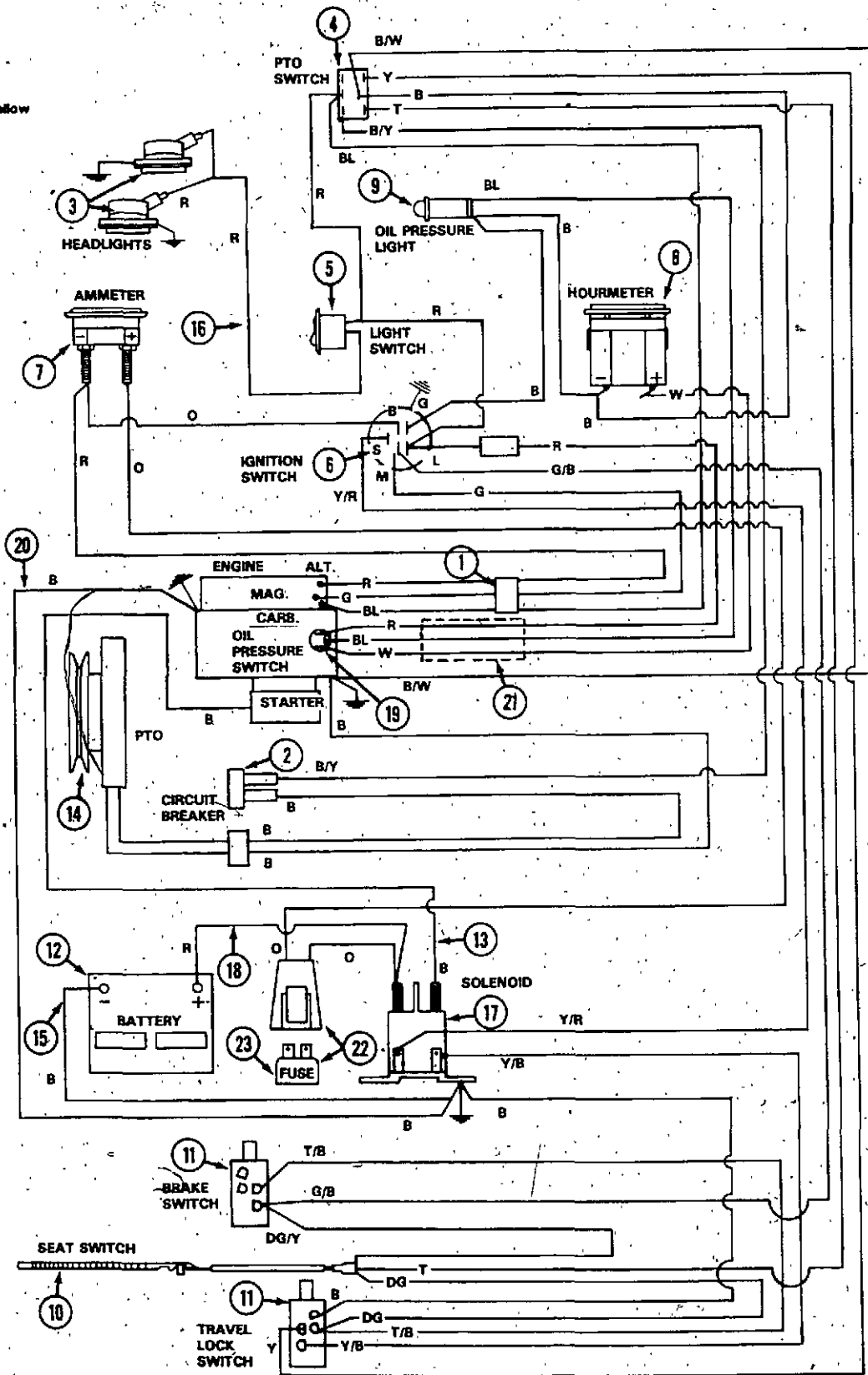
WIRING DIAGRAM
5012 - All
5016, 5018 - before S/N 14175541

REF.	PART NO.	DESCRIPTION	REQ'D
	C 42241	HARNES - wire	1
1	C 37505	BREAKER - circuit, 10 amp	1
2	NSS	HEADLIGHT - (use C32178 and C44075)	2
3	C 37511	CLUTCH - PTO, electric	1
4	C 31937	SWITCH - PTO (also see nut and cap below)	1
	C 44469	NUT - 1/2" - 27 (PTO switch)	2
	C 31619	CAP - PTO switch	1
5	C 37514	SWITCH - headlight	1
6	C 37515	RELAY	1
	113- 3	BOLT - 1/4" - 20 x 3/4" (relay mounting)	1
	192- 19	LOCKWASHER - 1/4" (relay mounting)	1
	121- 101	NUT - 1/4" - 20 (relay mounting)	1
7	C 24145	SWITCH - ignition	1
	193- 63	WASHER - 5/8" lock (ignition switch)	1
	C 32396	NUT - 5/8" - 32 (ignition switch)	1
	C 32407	KEY - ignition (ignition switch)	2
	C 32397	CAP - nut (ignition switch)	1
8	C 37517	AMMETER	1
9	C 37518	METER - hour	1
10	C 37519	LIGHT - oil	1
11	C 37520	SWITCH - seat	1
12	C 37521	SWITCH - safety (enlarge mounting hole if required)	2
13	C 41010	BATTERY - 12 volt	1
14	C 37523	WIRE - starter	2
15	C 37528	CABLE - ground	1
16	C 37525	WIRE - headlight (with female terminals) early production	1
16	C 44075	WIRE - headlight (with 2 male spade terminals)	1
17	C 37526	SOLENOID - starting	1
	113- 3	BOLT - 1/4" - 20 x 3/4" (solenoid and relay mounting)	2
	192- 19	LOCKWASHER - 1/4" (solenoid and relay mounting)	2
	129- 101	NUT - 1/4" - 20 (solenoid and relay mounting)	2
	192- 20	LOCKWASHER - 5/16" (solenoid studs)	2
	129- 102	NUT - 5/16" - 18 (solenoid studs)	2
	192- 18	LOCKWASHER - 3/16" (solenoid studs)	2
	129- 37	NUT - #10 - 32 (solenoid studs)	1
	129- 6	NUT - #8 - 32 (solenoid studs)	1
18	C 37523	WIRE - battery positive to solenoid	1
19	C 37529	ACTUATOR - electric lift (model EDL) (for model BEPL see page 49)	1
20	C 37530	SWITCH - deck lift (model EDL) (for model BEPL see page 49)	1
21	C 37531	SWITCH - oil light	1
22	C 37507	LENS - headlight	2
23	C 37508	BULB - headlight	2
24	C 37509	RECEPTICAL - headlight	2
25	C 37510	GASKET - headlight	2
26	113- 4	BOLT - 1/4" - 20 x 1"	2
27	129- 101	NUT - 1/4" - 20	2
28	C 37983	BRACKET - battery hold down	1
29	C 38677	BOLT - 1/4" - 20 x 7"	2
30	131- 71	NUT - 1/4" - 20 lock	4
31	195- 102	WASHER - 1/4"	3
32	113- 3	BOLT - 1/4" - 20 x 3/4"	3
33	131- 934	NUT - 1/4" - 20 flange lock	1
34	NSS	PROTECTOR - battery post (use C24069 rubber boot)	1
35	C 41643	WIRE - ground	1

ELECTRICAL SYSTEM
5016, 5018 - S/N 14175541 AND AFTER

WIRE COLOR CODE

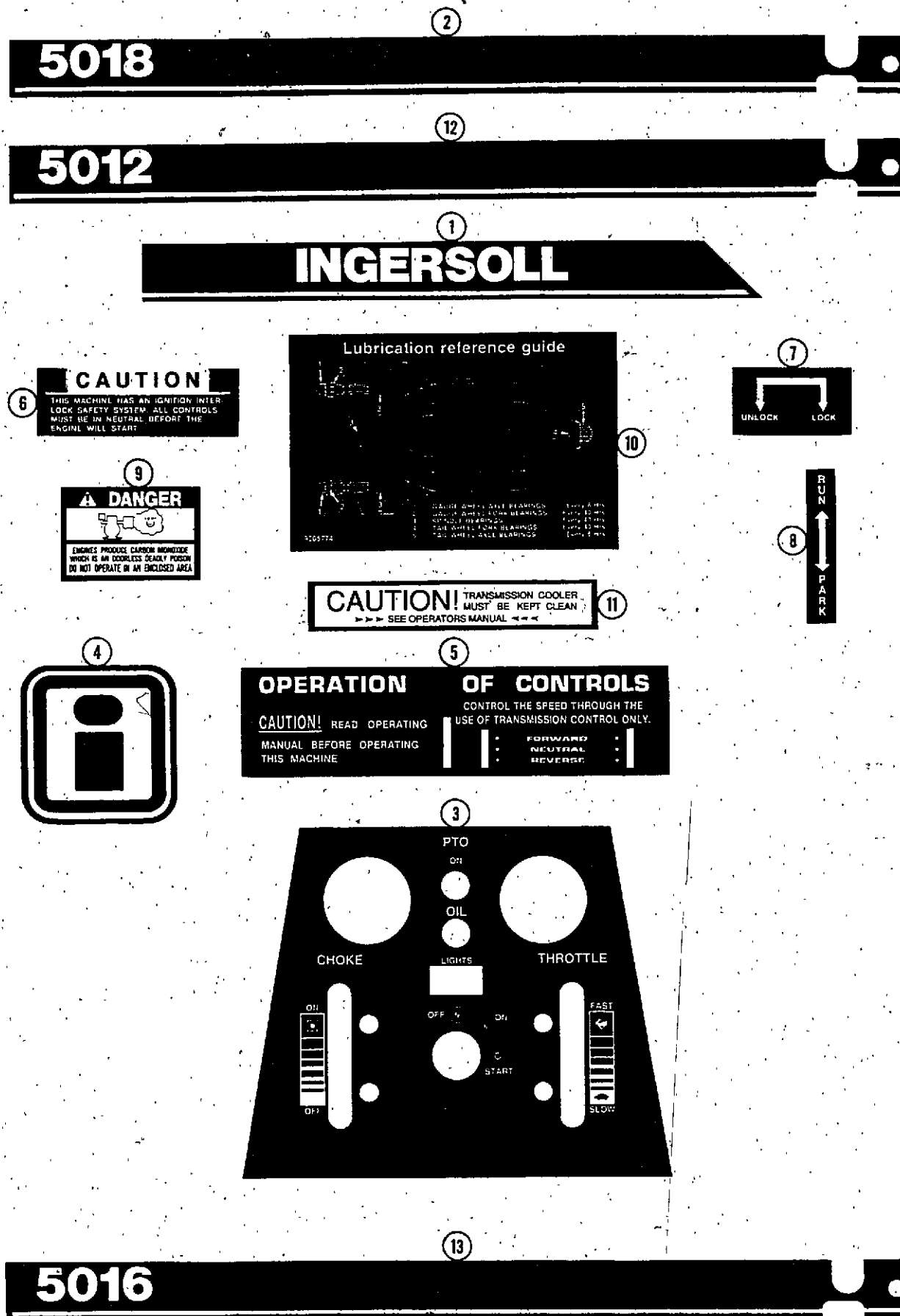
- DG - Dark Green
- T/B - Tan/Black
- B - Black
- Y/B - Yellow/Black
- Y - Yellow
- T - Tan
- DG/Y - Dark Green/Yellow
- O - Orange
- Y/R - Yellow/Red
- B/W - Black/White
- BL - Blue
- B/Y - Black/Yellow
- G/B - Green/Black
- R - Red
- G - Green
- W - White



REF.	PART NO.	DESCRIPTION	REQ'D
1	C 45535	HARNESS - wire, main	1
2	C 45539	HARNESS - wire, alternator and magneto	1
3	C 37505	BREAKER - circuit, 10 amp	1
	C 32178	HEADLIGHT	2
	C 22573	LENS - headlight	1
	C 37508	BULB - headlight	1
	C 37509	RECEPTICAL	1
	C 14304	GASKET - headlight	1
4	C 31937	SWITCH - PTO (also use C31619 Cap)	1
	C 44469	NUT - 1/2" - 27 (Black) PTO switch retaining	2
5	C 43044	SWITCH - headlight	1
6	C 30267	SWITCH - ignition	1
	C 32407	KEY - ignition	1
	C 32397	CAP - nut, ignition switch	1
	193- 63	LOCKWASHER - 5/8"	1
7	C 32396	NUT - 5/8" - 32 ignition switch	1
8	C 29413	AMMETER	1
9	C 42929	METER - hour	1
	C 45536	LIGHT - oil	1
10	C 45537	SWITCH - seat	1
11	C 37521	SWITCH - safety	2
	182- 525	SCREW - #10 - 32 x 3/8" (safety switch mount)	1
	192- 18	LOCKWASHER - 3/16" (safety switch mount)	1
	193- 1000	NUT - #10 - 32 Lock (safety switch mount)	2
	182- 528	SCREW - #10 - 32 x 1/2" (safety switch mount)	2
12	C 41010	BATTERY - 12 volt	1
13	C 44261	WIRE - starter	1
14	C 37511	CLUTCH - PTO	1
15	C 37528	CABLE - ground	1
16	C 44075	WIRE - headlight	1
17	C 33024	SOLENOID - start	1
	113- 3	BOLT - 1/4" - 20 x 3/4" (solenoid mounting)	2
	131- 934	NUT - 1/4" - 20 (solenoid mounting)	2
	192- 19	LOCKWASHER - 1/4" (solenoid studs)	2
	129- 101	NUT - 1/4" - 20 (solenoid studs)	2
18	C 37523	CABLE - battery positive to solenoid	1
19	C 37531	SWITCH - oil light	1
20	C 41643	WIRE - ground	1
21	C 42240	HARNESS - oil pressure switch	1
22	C 31947	KIT - fuse holder	1
23	C 30260	FUSE - 30 amp	1

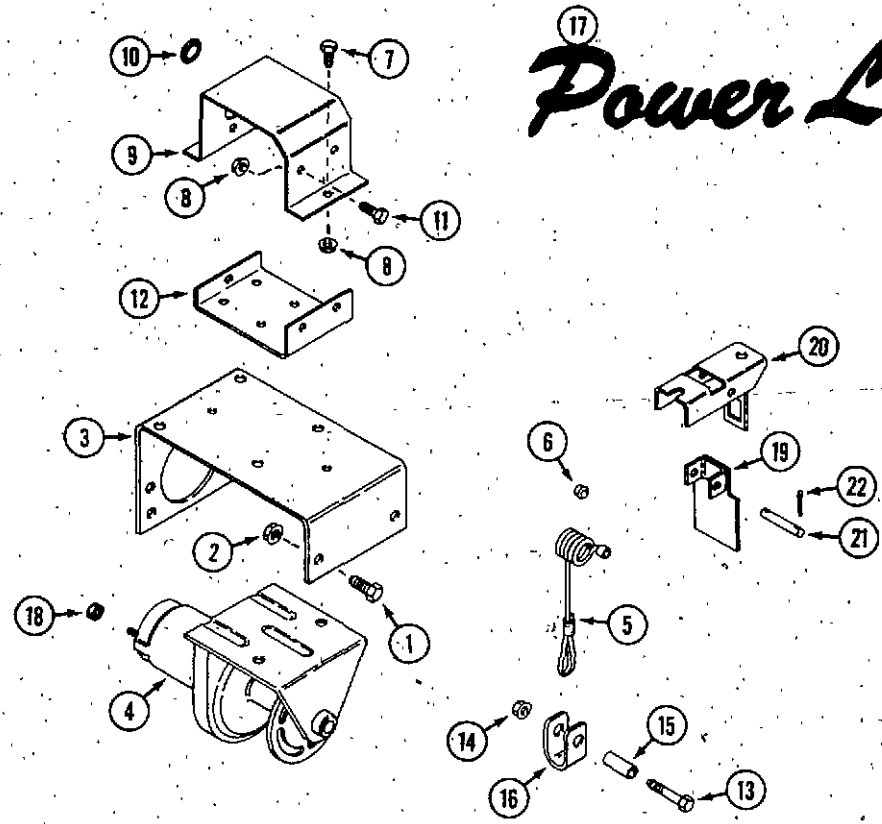
MODEL 5012, 5016 AND 5018 FRONT CUT MOWERS

DECALS



REF.	PART NO.	DESCRIPTION	REQ'D
1	C 39527	DECAL - front side R.H. (shown)	1
1	C 39528	DECAL - front side L.H.	1
2	C 39529	DECAL - rear side L.H. (5018)	1
2	C 39531	DECAL - rear side R.H. (shown) (5018)	1
3	C 40954	DECAL - instrument panel	1
4	C 37464	MEDALLION - "Ingersoll"	1
5	C 37495	DECAL - operation	1
6	C 37496	DECAL - caution interlock	1
7	C 37502	DECAL - unlock/lock	1
8	C 37498	DECAL - run/park	1
9	C 37500	DECAL - danger carbon monoxide	1
10	C 38807	DECAL - lubrication (5018)	1
11	C 37504	DECAL - clean cooler (5018)	1
12	C 39532	DECAL - rear side L.H. (5012)	1
12	C 39530	DECAL - rear side R.H. (shown) (5012)	1
13	C 43404	DECAL - rear side L.H. (5016)	1
13	C 43405	DECAL - rear side R.H. (5016) sbwn	1

Power Lift



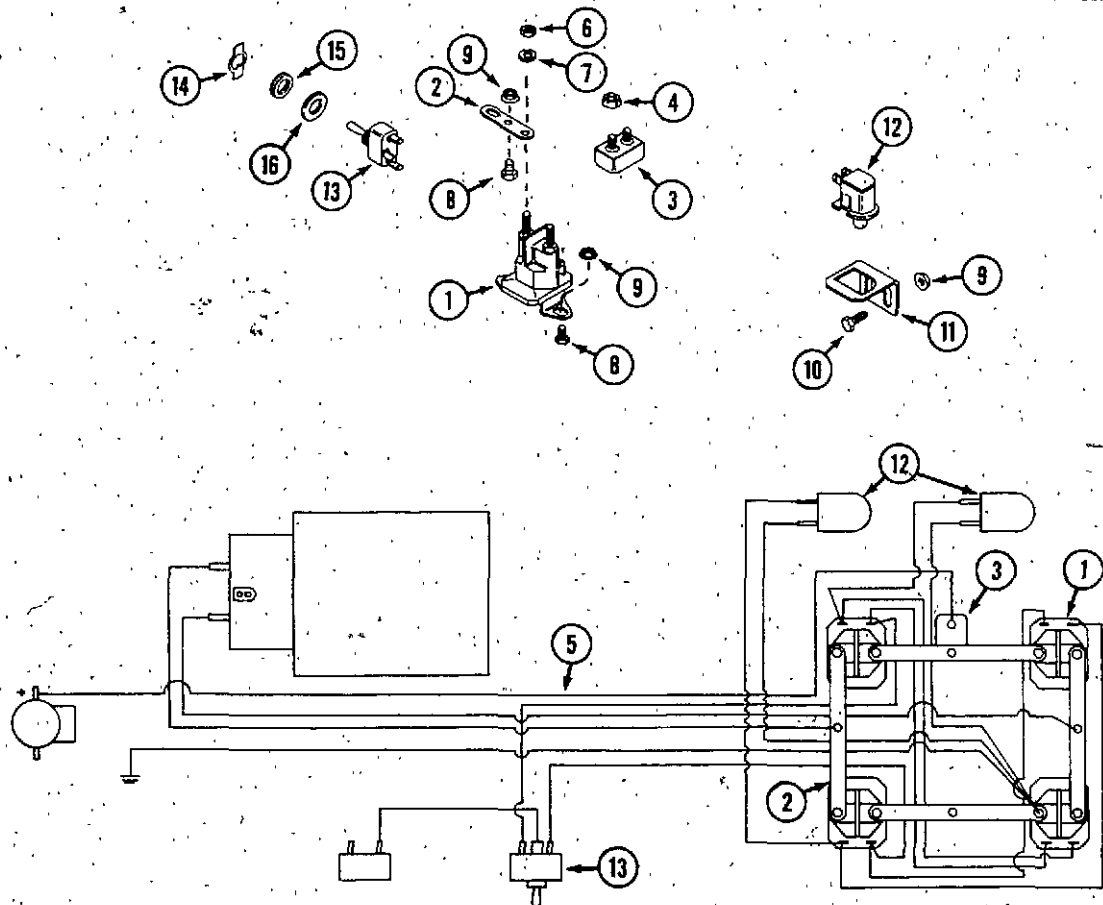
MODEL BEPL ELECTRIC DECK LIFT

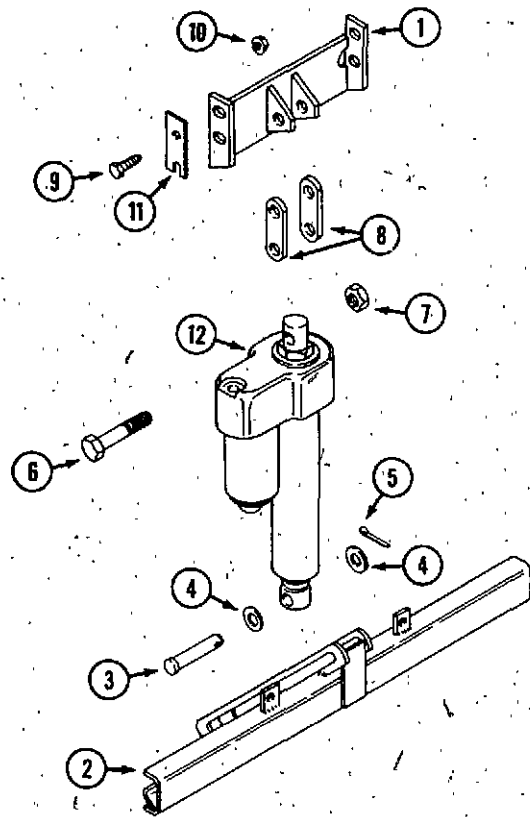
WINCH

REF.	PART NO.	DESCRIPTION	REQ'D
1	113- 207	BOLT - 3/8" - 16 x 1"	6
1	C 44489	SCREW - 3/8" - 16 x 1" socket head	2
2	131- 938	NUT - 3/8" - 16 flange lock	8
3	C 43967	MOUNT - winch	1
4	C 43958	WINCH - deck lift	1
5	C 43375	CABLE	1
6	C 43992	PIN - cable keeper	1
7	113- 3	BOLT - 1/4" - 20 x 3/4"	2
8	131- 934	NUT - 1/4" - 20 flange lock	5
9	C 43962	COVER - solenoid	1
10	C 43964	GROMMET - 1" x 7/8"	1
11	113- 1	BOLT - 1/4" - 20 x 1/2"	3
12	C 43963	MOUNT - solenoid	1
13	113- 219	BOLT - 3/8" - 16 x 2"	1
14	131- 1352	NUT - 3/8" - 16 lock	1
15	C 43961	SPACER	1
16	C 43960	STRAP - lift	1
17	C 43412	DECAL - "Power Lift"	1
18	193- 1000	NUT - #10 - 32	2
19	C 44361	ARM - trip	1
20	C 44364	MOUNT - trip arm	1
21	C 44367	PIN - pivot	1
22	132- 6	PIN - cotter 1/16" x 5/8"	2

ELECTRICAL ASSEMBLY

1	C 33024	SOLENOID - 12V	4
2	C 43966	STRAP	4
3	C 43983	BREAKER - 40 amp, 12V	1
4	193- 1000	NUT - #10 - 32	2
5	C 43969	HARNESS - wire	1
6	129- 101	NUT - 1/4" - 20	8
7	192- 19	LOCKWASHER - 1/4"	8
8	113- 1	BOLT - 1/4" - 20 x 1/2"	8
9	131- 934	NUT - 1/4" - 20 flange	10
10	113- 3	BOLT - 1/4" - 20 x 3/4"	2
11	C 43965	BRACKET - switch	2
12	C 33744	SWITCH - limit	2
13	C 43985	SWITCH - lift	1
14	NSS	PLATE - switch identification (early production)	1
14	C 44495	DECAL - switch identification (current production)	1
15	C 44471	NUT - 15/32" - 32, switch	1
16	195- 529	WASHER - 1/2"	1



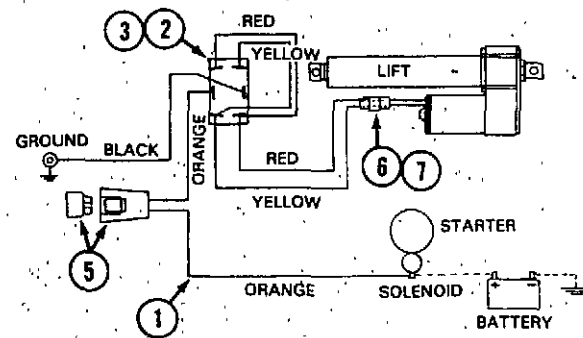


**ELECTRIC DECK LIFT
CYLINDER STYLE**

REF.	PART NO.	DESCRIPTION	REQ'D
1	C 45697	MOUNT - cylinder	1
2	C 45700	BAR - cross	1
3	C 29804	PIN - clevis 1/2" x 2-1/2"	1
4	195-2067	WASHER - 1/2"	2
5	132-320	PIN - cotter 3/32" x 3/4"	1
6	113-426	BOLT - 1/2" - 13 x 2-3/4"	2 ^u
7	131-1182	NUT - 1/2" - 13 lock	2
8	C 45768	LINK - spacer	UAR
9	113-103	BOLT - 5/16" - 18 x 1"	4
10	131-911	NUT - 5/16" - 18 flange lock	4
11	C 45766	SHIM - cylinder mount	UAR
12	C 45706	CYLINDER - lift	1

**ELECTRICAL SYSTEM (DECK LIFT)
CYLINDER STYLE**

1	C 45705	HARNESS - wire	1
2	C 45775	SWITCH	1
3	C 45780	NUT - 15/32" - 32 with boot (switch mounting)	1
4	C 44495	DECAL - lift switch	1
5	C 30261	HOLDER - fuse	1
5	C 30260	FUSE - 30 amp	1
6	C 24813	CONNECTOR - wire harness	1
7	C 31948	CONNECTOR - lift actuator	1



NUMERICAL INDEX

PART NO.	PAGE NO.	REF. NO.	PART NO.	PAGE NO.	REF. NO.
			C37508	45	23
			C37509	45	24
			C37510	45	25
C10678	7	19	C37511	21	1
C10678	21	12	C37511	45	3
C15672	23	22	C37514	45	5
C16714	37	11	C37515	45	6
C16745	37	13	C37517	45	8
C18099	9	12	C37518	45	9
C18099	17	3	C37519	45	10
C22947	27		C37520	27	11
C24145	45	7	C37520	45	11
C24884	11	3	C37521	23	24
C25165	25	23	C37521	27	17
C26703	7	1	C37521	45	12
C27274	9	15	C37523	45	14
C28683	19	7	C37523	45	18
C28692	19	1	C37525	45	16
C28982	39		C37526	45	17
C28982	39		C37528	45	15
C28983	39		C37529	45	19
C28981	31	2	C37530	45	20
C31614	21	11	C37531	45	12
C31615	21	8	C37531	45	12
C31619	45		C37531	45	21
C31937	45	4	C37533	45	2
C32396	45		C37536	45	6
C32397	45		C37537	45	7
C32407	45		C37538	45	8
C32455	21	15	C37538	45	8
C32455	27	10	C37539	45	9
C32455	43	29	C37540	45	10
C32861	9	2	C37540	45	10
C32862	7	1	C37541	45	11
C32865	7	3	C37543	45	14
C32866	7	4	C37544	45	15
C32869	7	6	C37545	45	16
C32871	7	8	C37546	45	17
C32871	7	10	C37548	45	19
C32872	7	7	C37549	21	2
C32873	7	11	C37550	21	3
C32874	7	12	C37551	21	4
C32878	7	14	C37552	21	5
C32879	7	15	C37553	21	6
C32880	7	16	C37554	21	1
C32881	7	17	C37562	21	7
C32882	7	18	C37563	5	7
C32884	7		C37564	5	9
C32917	11	2	C37566	5	14
C32919	11	6	C37566	7	6
C32920	11	5	C37567	5	15
C32947	19	2	C37568	5	16
C32948	19	4	C37568	17	17
C32949	19	11	C37573	23	4
C33024	49	1	C37574	23	3
C33744	49	12	C37575	23	2
C34173	37	24	C37576	23	10
C34808	25	33	C37577	23	7
C37200	33	45	C37578	23	5
C37200	35	43	C37579	23	6
C37464	47	4	C37581	25	25
C37495	47	5	C37582	23	14
C37496	47	6	C37583	23	8
C37498	47	8	C37585	23	9
C37500	47	9	C37586	23	11
C37502	47	7	C37591	33	29
C37504	47	11	C37591	35	29
C37505	45	1			
C37507	45	22			

PART NO.	PAGE NO.	REF. NO.	PART NO.	PAGE NO.	REF. NO.
C37592	33	30	C37603	23	23
C37592	35	30	C37604	31	2
C37595	23	21	C37607	31	10
C37597	23	23	C37614	33	41
C37598	25	11	C37614	35	41
C37603	37	2	C37615	33	39
C37604	23	9	C37615	35	39
C37606	31	7	C37616	27	20
C37607	31	10	C37616	33	38
C37614	33	41	C37616	35	35
C37614	35	41	C37625	39	
C37615	33	39	C37626	39	
C37615	35	39	C37627	39	28
C37616	27	20	C37630	31	3
C37616	33	38	C37631	25	39
C37616	35	35	C37631	27	18
C37625	39		C37631	31	1
C37626	39		C37636	43	11
C37627	39	28	C37637	43	10
C37630	31	3	C37639	43	6
C37631	25	39	C37642	43	18
C37631	27	18	C37652	33	
C37631	31	1	C37652	35	
C37636	43	11	C37656	33	
C37637	43	10	C37656	35	
C37639	43	6	C37657	33	16
C37642	43	18	C37657	35	16
C37652	33		C37661	39	7
C37652	35		C37664	39	25
C37656	33		C37664	41	21
C37656	35		C37665	39	21
C37657	33	16	C37694	41	3
C37657	35	16	C37695	41	11
C37661	39	7	C37698	39	31
C37664	39	25	C37699	39	31
C37664	41	21	C37700	41	6
C37665	39	21	C37702	41	4
C37694	41	3	C37703	41	7
C37695	41	11	C37704	41	7
C37698	39	31	C37705	27	19
C37699	39	31	C37705	39	34
C37700	41	6	C37724	33	7
C37702	41	4	C37724	35	7
C37703	41	7	C37724	39	30
C37704	41	7	C37725	33	9
C37705	27	19	C37725	35	9
C37705	39	34	C37727	33	26
C37724	33	7	C37729	35	1
C37724	35	7	C37730	33	2
C37724	39	30	C37731	35	2
C37725	33	9	C37731	33	3
C37725	35	9	C37732	33	4
C37727	33	26	C37732	35	4
C37729	35	1	C37733	33	4
C37730	33	2	C37733	35	6
C37731	35	2	C37824	29	8
C37731	33	3	C37824	39	5
C37732	33	4			
C37732	35	4			
C37733	33	4			
C37733	35	6			
C37736	33	11			
C37736	35	11			

NUMERICAL INDEX

PART NO.	PAGE NO.	REF. NO.	PART NO.	PAGE NO.	REF. NO.
C37737	33	12	C38055	29	6
C37737	35	12	C38056	29	10
C37738	33	13	C38230	29	5
C37738	35	13	C38406	31	10
C37739	33	14	C38594	23	26
C37739	35	14	C38677	45	29
C37740	33	15	C38790	25	36
C37741	33	17	C38807	47	10
C37741	35	15	C38859	39	11
C37742	33	18	C38864	23	22
C37742	35	18	C38993	39	6
C37743	33	19	C39015	29	3
C37743	35	19	C39016	29	2
C37744	33	20	C39403	5	19
C37744	35	20	C39403	5	23
C37745	33	21	C39403	25	41
C37747	33	23	C39524	25	26
C37748	35	23	C39525	25	27
C37751	35	28	C39526	25	27
C37752	33	31	C39527	47	1
C37752	35	31	C39528	47	1
C37753	33	32	C39529	47	2
C37753	35	32	C39530	47	12
C37754	33	33	C39531	47	2
C37754	35	33	C39532	47	12
C37755	33	34	C39533	25	34
C37755	35	34	C39534	25	2
C37756	29	7	C39537	25	28
C37756	29	13	C39538	25	28
C37756	33	35	C40645	25	2
C37756	35	35	C40725	25	28
C37756	39	2	C40726	25	28
C37757	33	36	C40728	5	1
C37757	35	36	C40893	5	24
C37761	33	44	C40954	47	3
C37761	35	17	C40956	25	1
C37763	33	26	C40992	25	1
C37763	35		C41005	23	1
C37764	35	16	C41010	45	13
C37765	35	21	C41163	25	3
C37769	43	5	C41167	25	29
C37770	31	1	C41171	25	29
C37772	43	7	C41175	25	29
C37773	31	3	C41179	25	29
C37774	31	4	C41643	45	35
C37775	31	5	C41675	5	1
C37776	31	6	C41676	5	1
C37777	31	7	C41931	43	26
C37778	43	8	C41944	25	7
C37785	43	19	C41945	25	8
C37787	43	21	C41956	25	14
C37807	43	33	C41956	25	15
C37810	25	6	C41956	27	45
C37811	21	7	C41974	43	4
C37812	21	6	C41978	43	32
C37813	21	4	C41986	43	28
C37815	23	31	C42050	5	2
C37816	23	32	C42053	25	9
C37817	25	37	C42054	5	4
C37818	25	24	C42055	5	3
C37819	5	18	C42056	25	33
C37819	5	22	C42057	25	33
C37820	5	18	C42061	25	29
C37822	31	7	C42062	25	29
C37824	25	5	C42185	25	4
C37824	29	8	C42186	27	42
C37824	39	5	C42188	25	38
			C42188	27	41

