

3-87-RP-1000-155

## ALPHABETICAL INDEX

### ENGINE AND ATTACHING PARTS

	PAGE	GRID
Air Cleaner .....	11	A12
Air Ducts .....	15	B2
Carburetor .....	13	A14
Control, Choke and Throttle .....	11	A12
Counterweight .....	17	B4
Engine Block .....	5	A6
Exhaust .....	13	A14
Flywheel and Stator .....	7	A8
Fuel System .....	11	A12
Governor .....	9	A10
Ignition and Charging .....	7	A8
Magneto .....	9	A10
Mounts, Engine .....	15	B2
Oil Drain and Fill .....	7	A8
Starter Motor .....	17	B4

### BASIC RIDING LAWNMOWER

Axle, Front .....	27	B14
Axle, Rear .....	35	C8
Belt, Mower Drive .....	45	D4
Belt, Traction Drive .....	31	C4
Chain, Drive .....	35	C8
Clutch and Brake Assembly .....	37	C10
Control Tower .....	23	B10
Decals .....	21	B8
Drive Shaft Assembly .....	33	C6
Electrical System .....	17-19	B4-B6
Electrical System Hardware .....	19	B6
Enclosure, Engine .....	25	B12
Frame .....	23	B10
Jackshaft Assembly .....	33	C6
Mower Deck .....	43	D2
Mower Drive Linkage .....	39	C12
Mower Drive Control .....	39	C12
Mower Height and Lift Control .....	41	C14
Mower Pulleys, Spindles and Blades .....	45	D4
Neutral Start Switch Actuator Wire .....	37	C10
PTO, Mower .....	39	C12
Seat .....	25	B12
Steering Assembly .....	27	B14
Transmission Drive Pivot .....	31	C4
Travel Control .....	29	C2
Wheels, Front and Rear .....	25	B12

### MODEL B97R BAGGER ATTACHMENT

Entire Parts List .....	47-49	D6-D8
-------------------------	-------	-------

## GENERAL INFORMATION

### INDEX

There is an index at the front and rear of this catalog.

The front index is an alphabetical index of the major groups or assemblies.

The rear index is a numerical index of the part numbers and pages on which these numbers are shown.

### ILLUSTRATION

Each illustration in this catalog shows a group of parts or components. These parts and components are aligned approximately as the parts and components on your machine. Each part and component in an illustration has a reference number. These reference numbers are in a list on the page opposite of the illustration. Next to the reference number is the part number, description and required quantity of the part shown in the illustration.

### ABBREVIATIONS

UAR - "Use as required" indicates that the part quantity is variable.

NSS - "Not sold separately" indicates that the part is only available as a component of an assembly or the part must be purchased locally. If the part is an assembly component, the description will be indented under the assembly description in the parts list.

### INDENTED DESCRIPTIONS

An assembly can have many components. The components of an assembly are indicated by an indented description. The quantity for an indented part is the total needed for that complete assembly. See the example.

REF.	PART NO.	DESCRIPTION	REQ'D
	A 55159	CYLINDER ASSY - rear steering	1
28	A 56208	SOCKET ASSY - rear cylinder	1
29	A 55956	PLUG - adjusting, socket assy	1
30	A 55957	SEAT - socket ball	2
31	A 56210	SPRING - socket	1
32	A 56209	SEAT - socket spring	1
33	G 45175	CLAMP ASSY - socket assy	1
	16- 836	BOLT - 1/2" x 2-1/4" N.F. hex.	1
34	132- 104	PIN - cotter, 3/16" x 3"	1
35	A 55889	STUD - ball, socket & cylinder	2
36	13- 410	BOLT - 1/4" x 5/8" N.C., hex.	4
37	92- 4	LOCKWASHER - 1/4" SAE	4

### PARTS ORDERS

All orders must include the following information:

1. Correct part number.
2. Complete description of part or component.
3. Total quantity of each part or component.
4. Product model number.
5. All necessary product identification numbers.
6. Method for sending the parts.
7. Complete and correct address.

### CATALOG REVISIONS

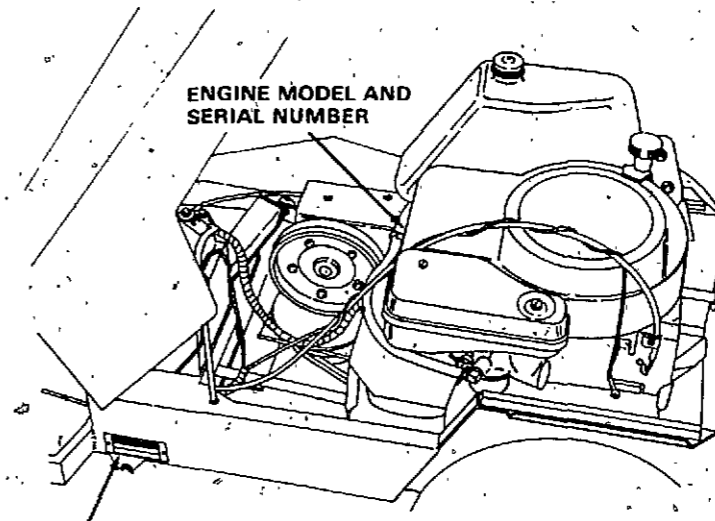
As the product changes, we will send you new pages for your catalog.

**IMPORTANT:** Put all revisions into the catalog as soon as possible.

### RIGHT HAND AND LEFT HAND IDENTIFICATION

The words right hand (RH) and left hand (LH) as used in this catalog indicate the direction while you are in the operator's seat in the normal operating position.

## PRODUCT IDENTIFICATION NUMBERS



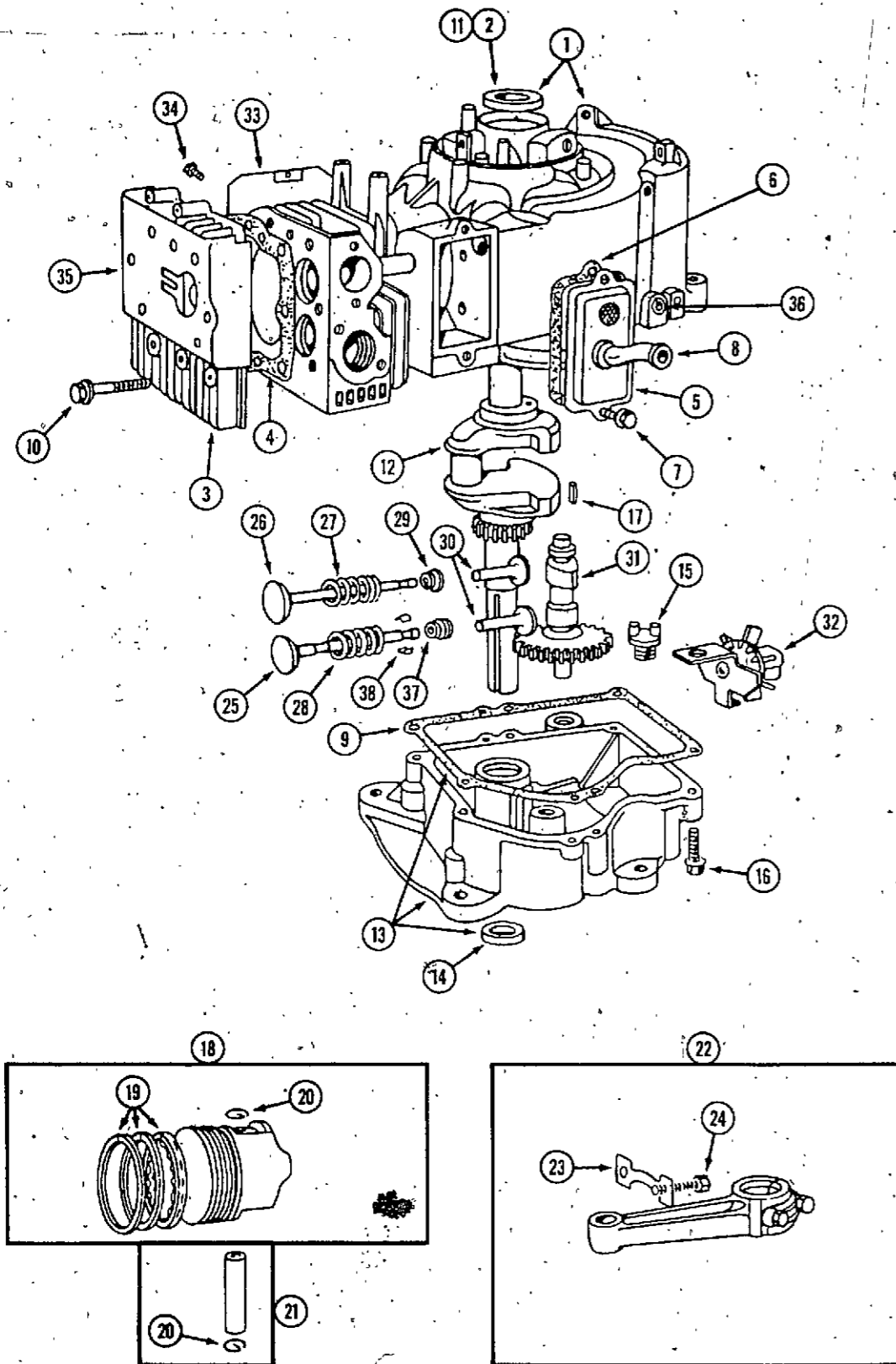
LAWNMOWER MODEL AND PRODUCT IDENTIFICATION NUMBER (P.I.N.)

LAWNMOWER MODEL NUMBER	ENGINE MODEL NUMBER
80XI	BRIGGS AND STRATTON 253707 ENGINE NUMBER C30147

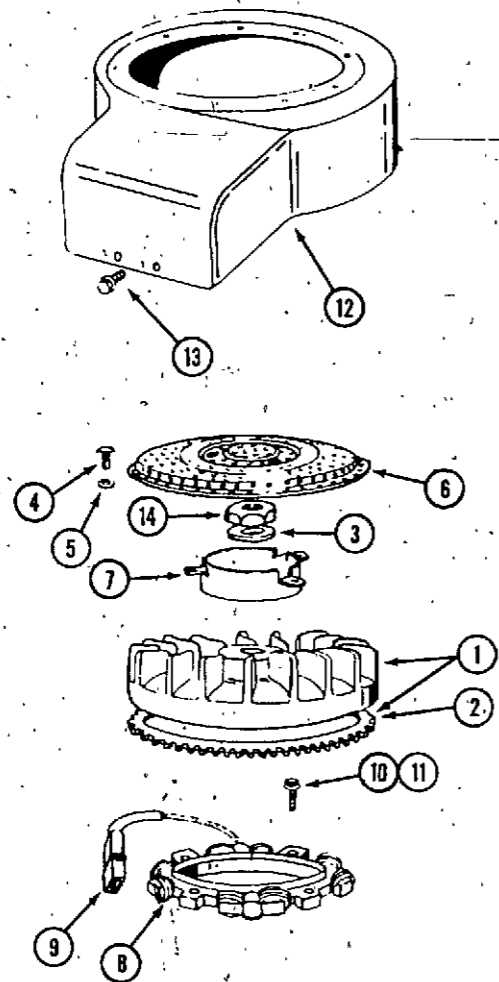
**NOTE:** This catalog contains references to serial numbers. Use these serial numbers as a guide to order the correct part.

**ENGINE BLOCK ASSEMBLY**

(For Complete Engine See Page 1)



REF.	PART NO.	DESCRIPTION	REQ'D
1	C 29928	CYLINDER BLOCK ASSEMBLY - short	1
1	NSS	CYLINDER BLOCK ASSEMBLY	1
2	C 25709	SEAL - oil	1
3	C 29824	HEAD - cylinder	1
4	C 25711	GASKET - cylinder head	1
5	BR 391406	BREATHER ASSEMBLY	1
6	C 27350	GASKET - valve cover	1
7	187- 1508	SCREW - sems	2
8	C 25712	TUBE breather	1
9	C 25713	GASKET - crankcase cover 1/64" thick	1
9	C 25714	GASKET - crankcase cover .005" thick	1
9	C 25715	GASKET - crankcase cover .009" thick	1
10	BR 93723	SCREW - cylinder head 3" long	6
11	C 29778	BUSHING - crankshaft	1
12	C 30452	CRANKSHAFT	1
13	C 25717	SUMP - oil (also includes item 9)	1
14	C 25718	SEAL - oil	1
15	BR 66768	PLUG - oil filler	1
16	NSS	SCREW - sump mounting, sems (use 113-120 and 192-20)	4
17	C 27236	KEY - flywheel	1
18	C 29826	PISTON ASSEMBLY - standard	1
18	C 29827	PISTON ASSEMBLY - .010" oversize	1
18	C 29828	PISTON ASSEMBLY - .020" oversize	1
18	C 29829	PISTON ASSEMBLY - .030" oversize	1
19	C 29830	RING SET - piston, standard	1
19	C 25725	RING SET - piston, .010" oversize	1
19	C 25726	RING SET - piston, .020" oversize	1
19	C 25727	RING SET - piston, .030" oversize	1
20	C 25728	LOCK - piston pin	2
21	C 25729	PIN ASSEMBLY - piston, standard	1
21	C 25730	PIN ASSEMBLY - piston, .005" oversize	1
22	C 29831	ROD ASSEMBLY - connecting	1
23	C 25732	LOCK - connecting rod screw	1
24	C 25733	SCREW - connecting rod	2
25	C 29832	VALVE - exhaust	1
26	C 25735	VALVE intake	1
27	BR 65906	SPRING - intake valve	1
28	BR 26828	SPRING - exhaust valve	1
29	BR 221596	RETAINER - intake valve	2
30	C 25736	TAPPET - valve	2
31	C 29833	CAMSHAFT	1
32	C 25746	OIL SLINGER - governor gear and bracket assembly	1
33	C 25751	SHIELD - cylinder	1
34	NSS	SCREW - cylinder shield mounting (use 163-18 and 192-18)	1
35	C 25752	COVER - cylinder head	1
36	BR 231055	BUSHING - governor crank (1/4" I.D.)	1
37	BR 292260	ROTATOR - exhaust valve	1
38	BR 93630	RETAINER - exhaust valve	2
	C 25757	GASKET SET - includes items, 4, 6, 9 and carburetor mounting gasket	1



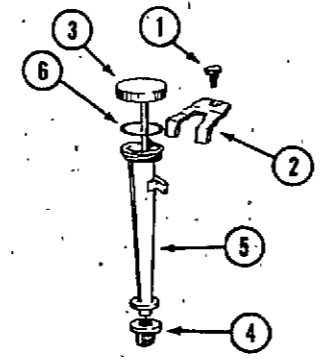
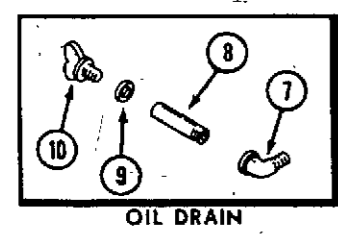
MODEL 80XI RIDING LAWNMOWER

FLYWHEEL AND STATOR

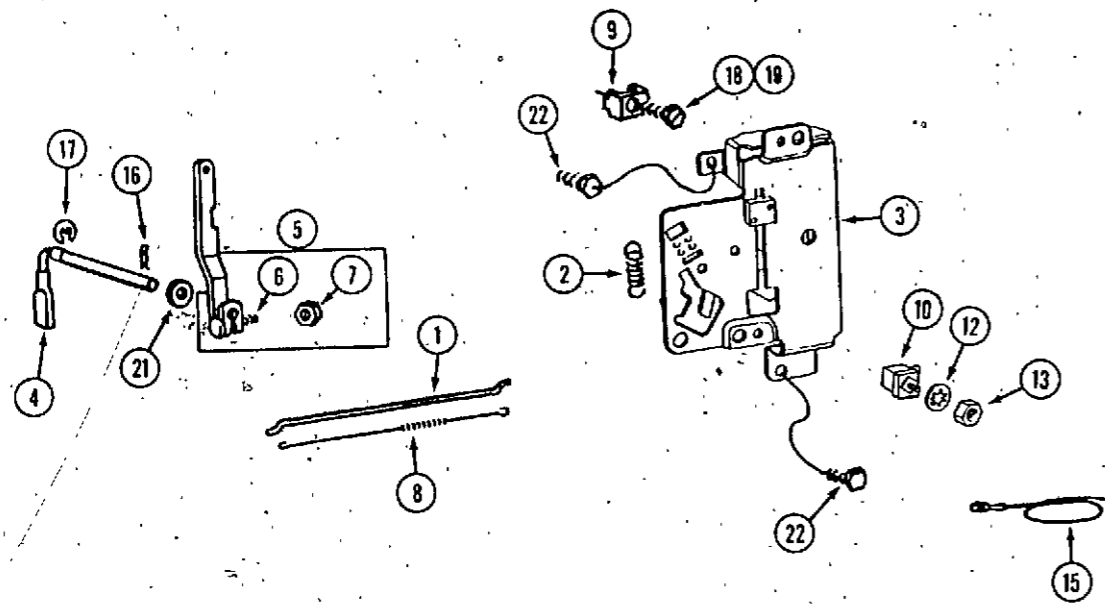
REF.	PART NO.	DESCRIPTION	REQ'D
1	C 25719	FLYWHEEL ASSEMBLY	1
2	BR 392134	RING GEAR	1
3	BR 220865	WASHER - spring	1
4	182- 84	SCREW - No. 8-32 x 3/8"	3
5	193- 25	LOCK WASHER - No. 8	3
6	C 30444	SCREEN - flywheel	1
7	BR 222561	CUP - screen mounting	1
8	C 29867	STATOR - alternator	1
9	C 29865	DIODE AND CONNECTOR ASSEMBLY	1
10	182- 90	SCREW - No. 8 - 32 x 1"	4
11	195- 10	WASHER - No. 8	4
12	C 25750	HOUSING - blower	1
13	NSS	BOLT - 1/4" - 20 x 1/2" (use 22 - 48 and 192-19)	4
14	BR 92284	NUT - flywheel	1

OIL DRAIN AND FILL

1	187- 1037	SCREW - clamp mounting	1
2	BR 222502	CLAMP - oil filler tube	1
3	C 30456	DIPSTICK - oil	1
4	BR 68838	SEAL - filler tube	1
5	C 30457	TUBE - oil filler	1
6	BR 270920	SEAL filler cap	1
7	217- 1027	ELBOW - 90° street	1
8	C 18814	NIPPLE - pipe	1
9	C 14906	GASKET - plug, oil drain	1
10	C 14399	PLUG - oil drain	1

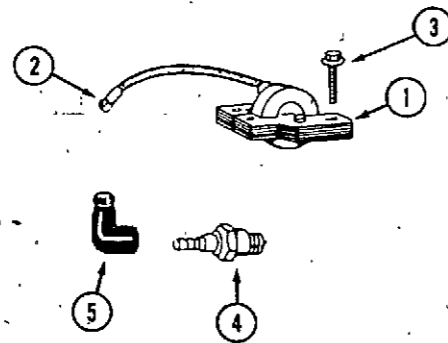


**GOVERNOR**



REF.	PART NO.	DESCRIPTION	REQ'D
1	C 29846	LINK - governor	1
2	BR 261129	SPRING - governor	1
3	C 29795	BRACKET - governor	1
4	BR 231058	CRANK - governor	1
5	BR 391733	LEVER ASSEMBLY	1
6	11- 312	BOLT - lever	1
7	129- 7	NUT - No. 10-24	1
8	BR 260584	SPRING - governor link	1
9	BR 221535	CLAMP - casing	1
10	C 29794	INSULATOR ASSEMBLY	1
11	193- 25	LOCKWASHER	2
12	129- 6	NUT - No. 8-32	2
13	C 29796	WIRE - ground	1
14	136- 103	PIN - cotter hair pin	1
15	C 28643	RETAINER - "E" ring	1
16	163- 4	SCREW	1
17	92- 3	WASHER	1
18	BR 222450	WASHER - governor crank	1
19	187- 1510	SCREW - mounting	1

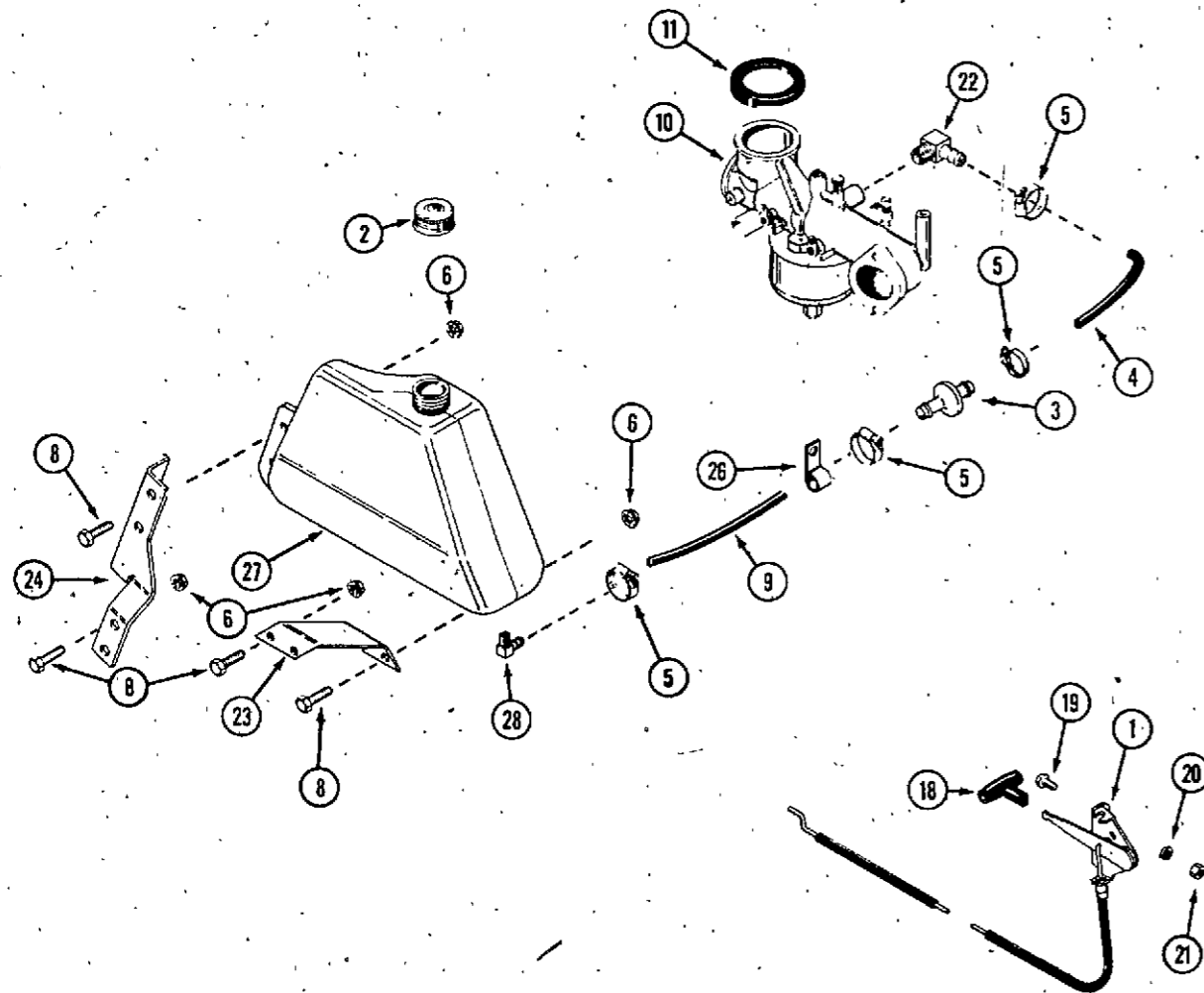
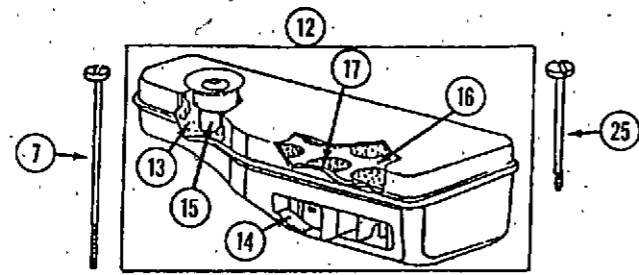
**MAGNETO ARMATURE**

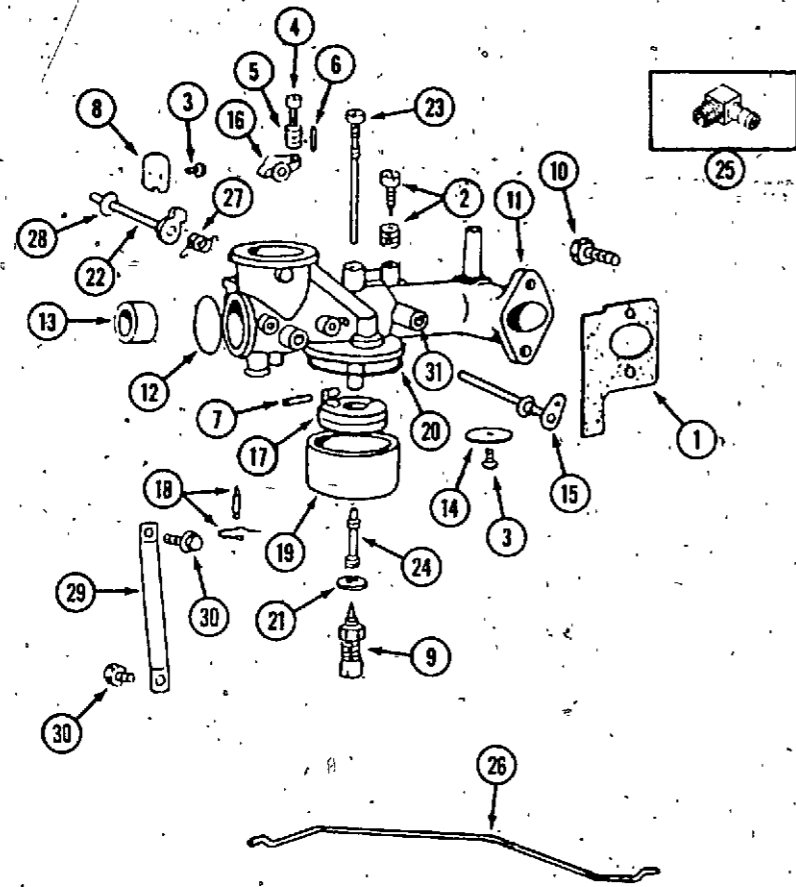


1	C 29785	ARMATURE - magneto	1
2	BR 221798	TERMINAL - ignition cable	1
3	N S S	SCREW - mounting (use 182-549 and 195-10)	2
4	C 24329	SPARK PLUG - resistor	1
5	BR 66538	BOOT - spark plug	1

FUEL SYSTEM

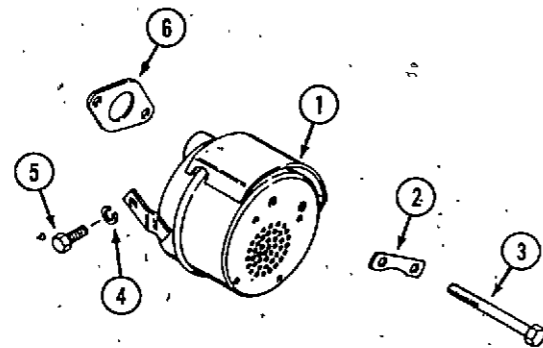
REF.	PART NO.	DESCRIPTION	REQ'D
1	C 23641	CONTROL - choke and throttle	1
2	C 11529	CAP - fuel tank (includes insert)	1
3	C 28935	FILTER - fuel	1
4	C 28937	HOSE - fuel (cut to length)	1
5	214- 251	CLAMP - hose	4
6	131- 911	NUT - 5/16" - 18 flange lock	UAR
7	BR 93323	SCREW - air cleaner	1
8	113- 102	BOLT - 5/16" - 18 x 3/4"	9
9	C 28937	HOSE - fuel (cut to length)	1
10	C 29836	CARBURETOR - (repairs page 13)	1
11	C 25760	GASKET - air cleaner	1
12	C 25759	CLEANER ASSEMBLY - air	1
13	C 25758	ELEMENT - air cleaner	1
14	C 25762	SUPPORT - element	1
15	C 30454	CUP - air cleaner	1
16	C 30455	SCREEN - air cleaner	1
17	C 29781	SPACER - air cleaner	1
18	C 15540	HANDLE - control	1
19	182- 559	SCREW - #10 - 24 x 3/4" pan hd. Phillips	2
20	192- 18	LOCK WASHER - #10 - 24 hex	2
21	129- 17	NUT - #10 - 24 hex	2
22	C 10678	CONNECTOR - fuel line	1
23	C 30191	BRACKET - tank mount, front	1
24	C 30192	BRACKET - tank mount, rear	1
25	BR 93622	SCREW - air cleaner	1
26	C 24689	CLIP - fuel line	1
27	C 25125	TANK - fuel	1
28	C 10657	ELBOW ASSEMBLY - tank	1





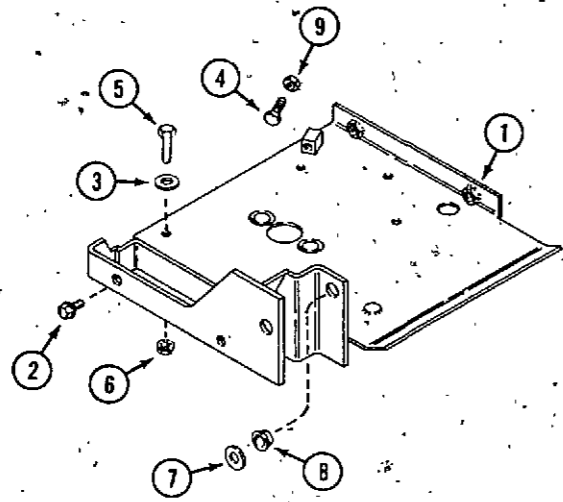
**C29836 CARBURETOR**

REF.	PART NO.	DESCRIPTION	REQ'D
1	C 25738	GASKET - carburetor mounting	1
2	BR 292681	VALVE ASSEMBLY - carburetor idle	2
3	BR 93499	SCREW - throttle and choke valve mounting, sems	2
4	182- 87	SCREW - machine fillister head 8-32 x 5/8"	1
5	BR 26157	SPRING - throttle adjustment	1
6	138- 251	PIN - throttle stop	1
7	BR 230896	PIN - float hinge	1
8	BR 222010	VALVE - choke	1
9	C 29779	VALVE - needle	1
10	BR 93357	SCREW - carburetor mounting	2
11	NSS	BODY ASSEMBLY - carburetor (use C29836 carburetor)	1
12	41- 24	PLUG - welch	1
13	C 25742	VENTURI - carburetor	1
14	C 27240	VALVE - throttle	1
15	C 30453	SHAFT & LEVER - throttle	1
16	BR 211712	STOP - throttle	1
17	BR 299707	FLOAT - carburetor	1
18	C 27254	VALVE - fuel inlet	1
19	BR 221995	BOWL - float	1
20	BR 270511	GASKET - float bowl	1
21	BR 222014	WASHER - float bowl	1
22	BR 390684	SHAFT & LEVER - choke	1
23	BR 299740	NOZZLE - carburetor	1
24	C 29780	SCREW - nozzle	1
25	C 10678	CONNECTOR - fuel line	1
26	C 27244	LINK - choke	1
27	BR 261116	SPRING - choke return	1
28	BR 270382	WASHER - choke shaft	1
29	C 25764	BRACKET - carburetor	1
30	187- 1510	SCREW	2
31	C 30405	SEAL - throttle shaft	1
	C 27255	CARBURETOR OVERHAUL KIT - (includes items 2, 7, 9, 12, 18, 20, 23, and 24)	1



**EXHAUST SYSTEM**

1	C 25469	MUFFLER - exhaust	1
2	C 25701	LOCK - bolt	1
3	113- 138	BOLT - muffler 5/16" - 18 x 3-1/2"	2
4	192- 19	LOCK WASHER - 1/4"	1
5	131- 1	BOLT - 1/4" - 20 x 1/2"	1
6	C 26507	GASKET - exhaust	1

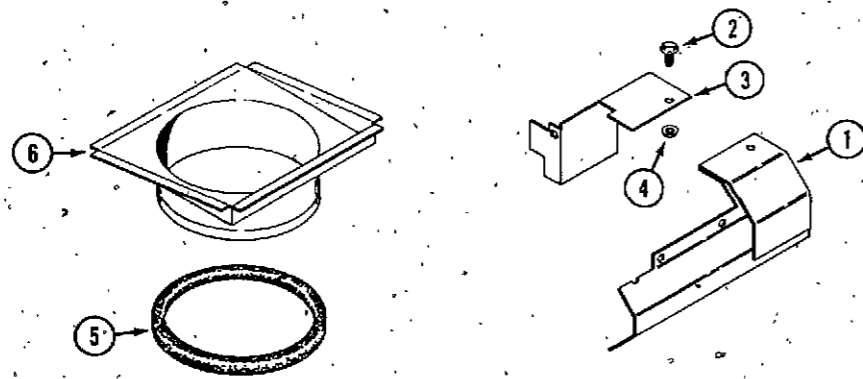


**ENGINE MOUNTS**

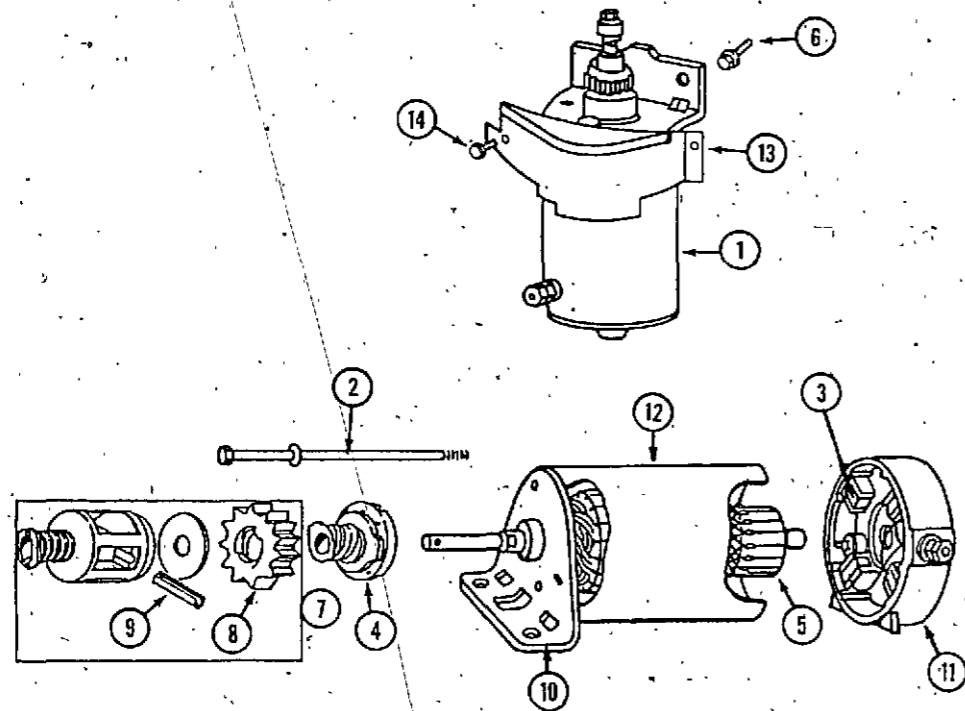
REF.	PART NO.	DESCRIPTION	REQ'D
1	C 30188	PLATE - engine mounting	1
2	121- 106	BOLT - 5/16" - 18 x 1/2" flange hd.	4
3	195- 521	WASHER - 5/16"	4
4	13- 624	BOLT - 3/8" 16 x 1-1/2"	1
5	113- 122	BOLT - 5/16" x 1-1/2"	4
6	131- 911	NUT - 5/16" - 18 hex flange lock	4
7	C 28806	SHIM - washer	UAR
8	C 24182	BUSHING - flange	2
9	131- 1181	NUT - 3/8" lock	1

**ENGINE AIR DUCTS**

1	C 30492	DUCT - air exhaust	1
2	121- 21	BOLT - 1/4" - 20 x 1/2" lock	4
3	C 30503	SHIELD - carburetor	1
4	131- 934	NUT - 1/4" - 20 flange lock	1
5	C 30535	SEAL - air inlet (attach to engine blower housing)	1
6	C 30536	DUCT - air inlet	1





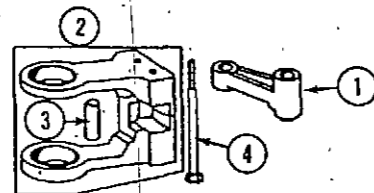


**STARTER MOTOR - BRIGGS**

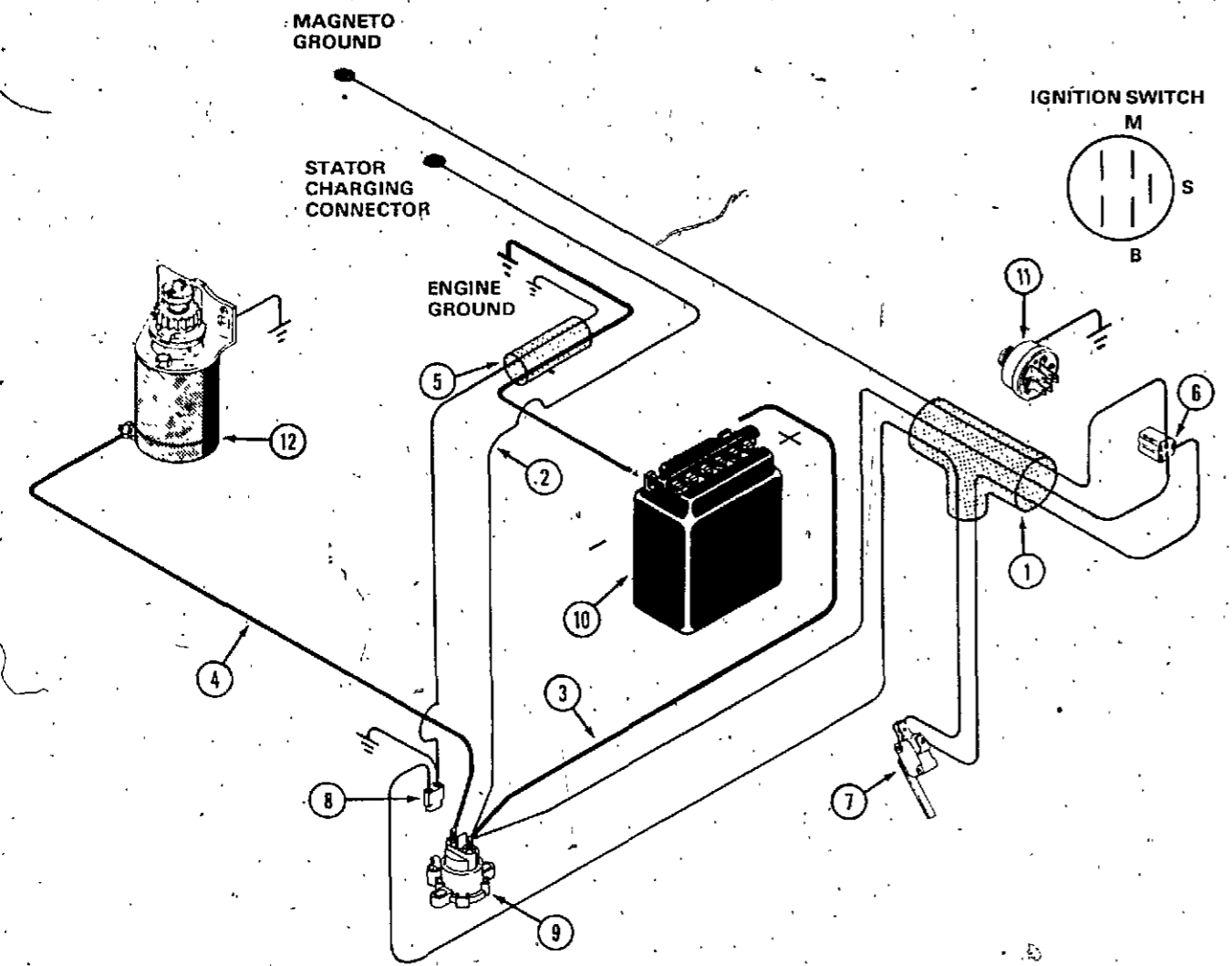
REF.	PART NO.	DESCRIPTION	REQ'D
1	C 27264	MOTOR - starting 12 volt	1
2	C 27260	BOLT ASSEMBLY - thru (includes washer)	2
3	C 27259	BRUSH ASSEMBLY - starter	1
4	C 27421	CLUTCH ASSEMBLY - starter	1
5	C 26359	ARMATURE ASSEMBLY - starter	1
6	NSS	SCREW - mounting (use 113-102 and 92-5)	2
7	C 27424	KIT - retainer	1
8	C 27422	GEAR - drive	1
9	138- 75	PIN - roll	1
10	C 27262	END CAP - drive end	1
11	C 27258	END CAP - commutator end (includes brushes)	1
12	C 27263	HOUSING - starter	1
13	C 27256	SHIELD - starter	1
14	187- 1328	SCREW - mounting	2

**ENGINE COUNTERWEIGHT**

1	C 29816	LINK - counterweight	1
2	C 29834	COUNTERWEIGHT ASSEMBLY	1
3	C 29818	PIN - counterweight	1
4	C 29835	SCREW - counterweight	2



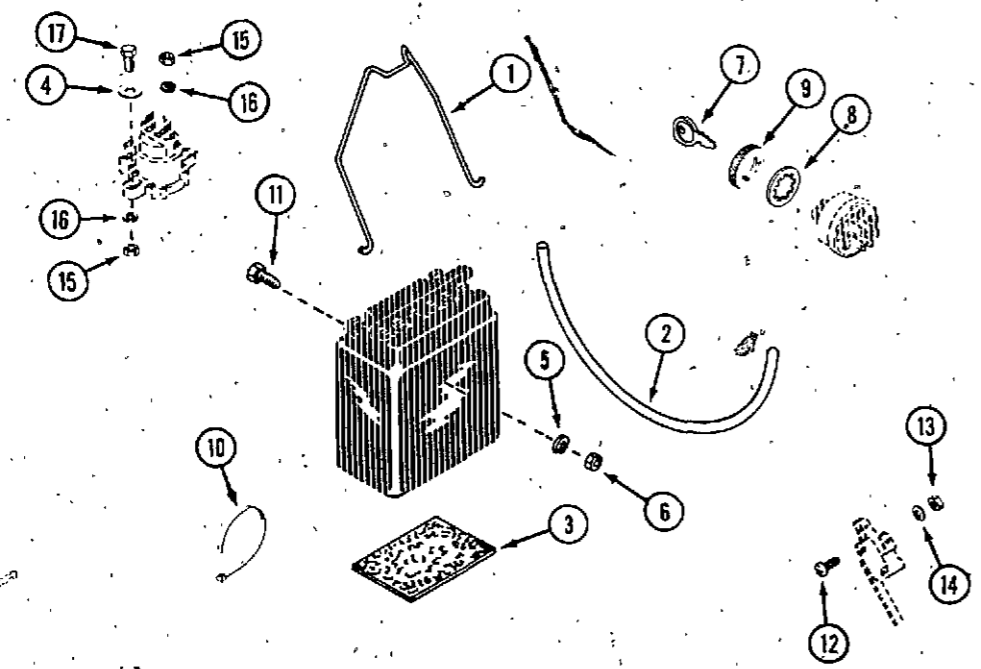
**ELECTRICAL SYSTEM**



REF.	PART NO.	DESCRIPTION	REQ'D
1	C 27532	HARNES - wire	1
2	C 27533	WIRE - solenoid to engine	1
	C 26142	HOUSING - socket	1
3	C 27521	CABLE - battery positive to solenoid	1
4	C 27534	CABLE - solenoid to starter	1
5	C 27541	HARNES - wire	1
6	C 24460	CONNECTOR - switch	1
7	C 26108	SWITCH - neutral start	1
8	C 27549	CONNECTOR - solenoid	1
9	C 27523	SOLENOID - start	1
10	C 26425	BATTERY - 12 volt (includes caps, vent hose and hardware)	1
	C 26426	CAP - battery	6
11	C 30267	SWITCH - ignition (includes key and mounting hardware)	1
12	C 27264	STARTER - engine, 12 volt	1

**ELECTRICAL SYSTEM HARDWARE**

1	C 24263	STRAP - battery hold down	1
2	C 28644	HOSE - vent	1
3	C 24428	CUSHION - battery	1
4	195- 516	WASHER - 3/16"	2
5	192- 19	LOCKWASHER - 1/4"	2
6	129- 101	NUT - 1/4" - 20 hex	2
7	C 27751	KEY AND RING ASSEMBLY	1
8	C 23248	LOCKWASHER - 5/8" internal tooth	1
9	C 24659	NUT - 5/8" - 32 knurled	1
10	C 22947	TIE - wire	1
11	169- 145	BOLT - 1/4" - 20 x 5/8"	2
12	182- 10	SCREW - No. 4 - 40 x 7/8" pan head	2
13	129- 13	NUT - No. 4 - 40 hex	2
14	192- 13	LOCKWASHER - No. 4	2
15	129- 37	NUT - No. 10 - 32	4
16	192- 18	LOCKWASHER - 3/16"	4
17	182- 147	SCREW - No. 10 x 3/4"	3



**INGERSOLL**

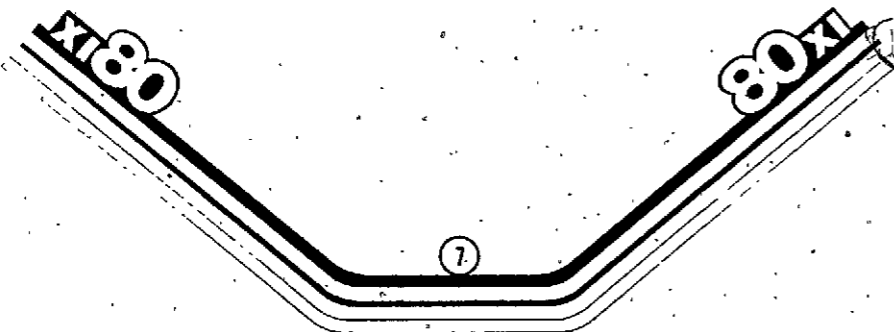
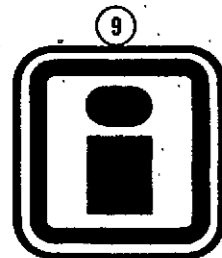
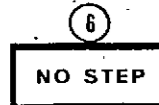
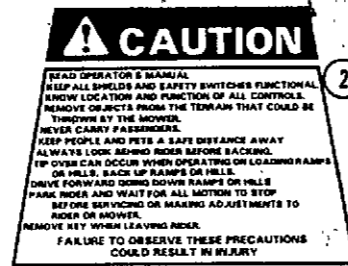
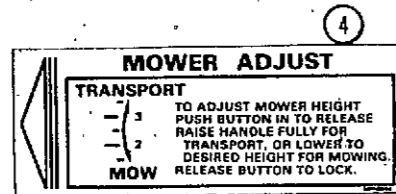
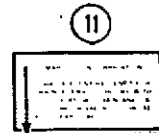
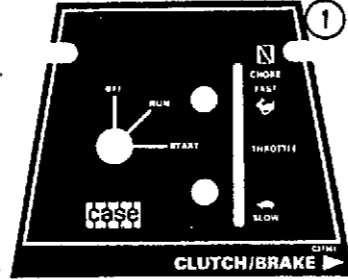
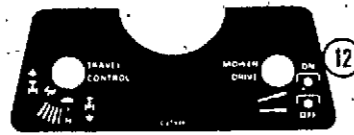
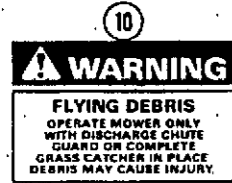
**80xi**

**DECALS (English)**

REF.	PART NO.	DESCRIPTION	REQ'D
1	C 27961	DECAL - ignition and throttle	1
2	C 29935	DECAL - "CAUTION"	1
3	C 27997	DECAL - operation	1
4	C 29119	DECAL - mower height adjust	1
5	C 29075	DECAL - "DANGER" blade	1
6	C 12519	DECAL - "NO STEP"	1
7	C 30159	DECAL - tower, front	1
8	C 27906	DECAL - engine enclosure R. H. (shown)	1
8	C 27905	DECAL - engine enclosure L. H.	1
9	C 30539	MEDALLION - tower, front INGERSOLL	1
10	C 28428	DECAL - "WARNING" flying debris	1
11	C 26936	DECAL - chain lubrication	1
12	C 27946	DECAL - crown	1
13	C 27947	DECAL - engine enclosure, rear, yellow stripe	2
14	C 30160	DECAL - rear	1
15	C 30166	DECAL - 11 HP	2

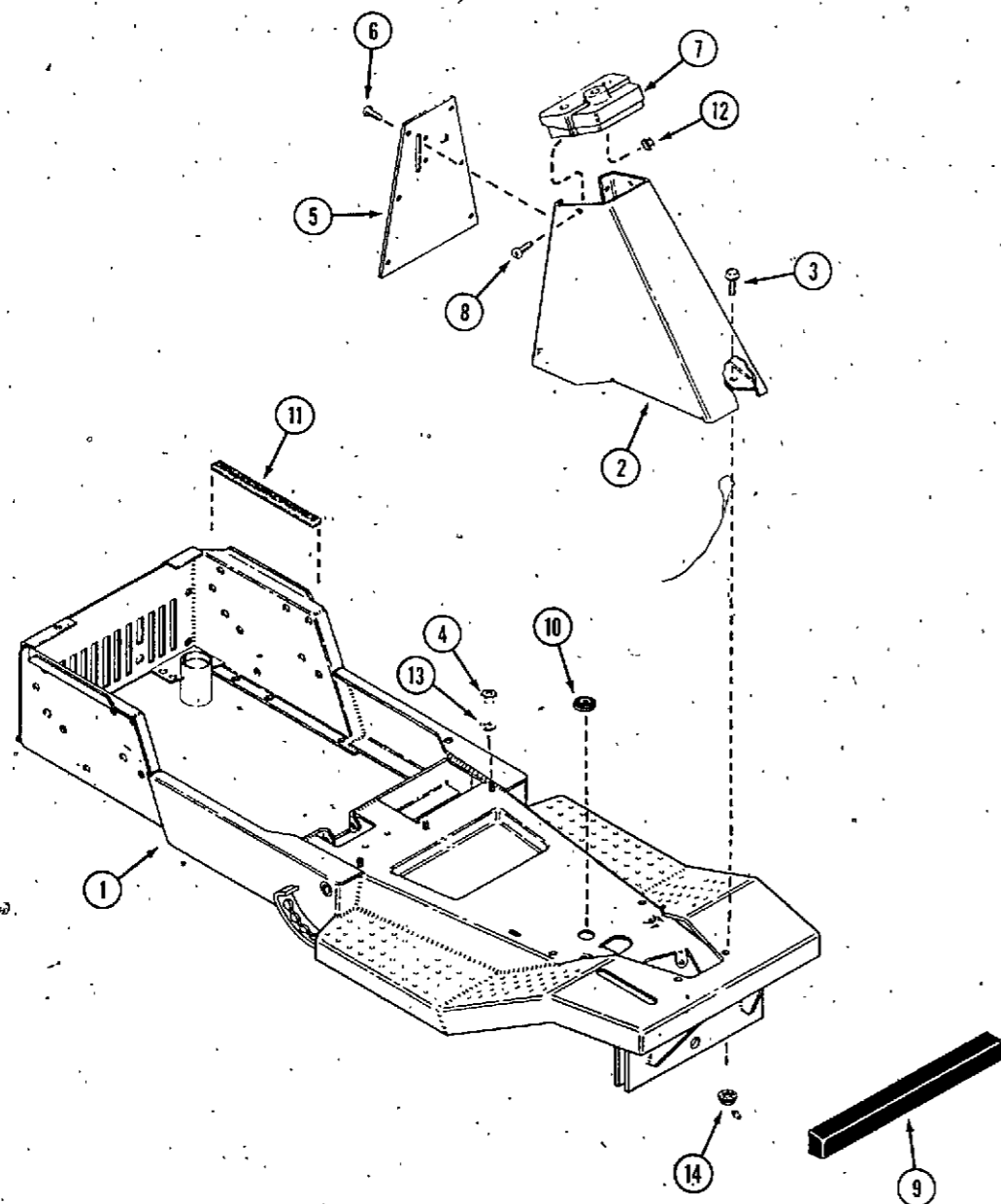
**DECALS (Bilingual)  
(French and English)**

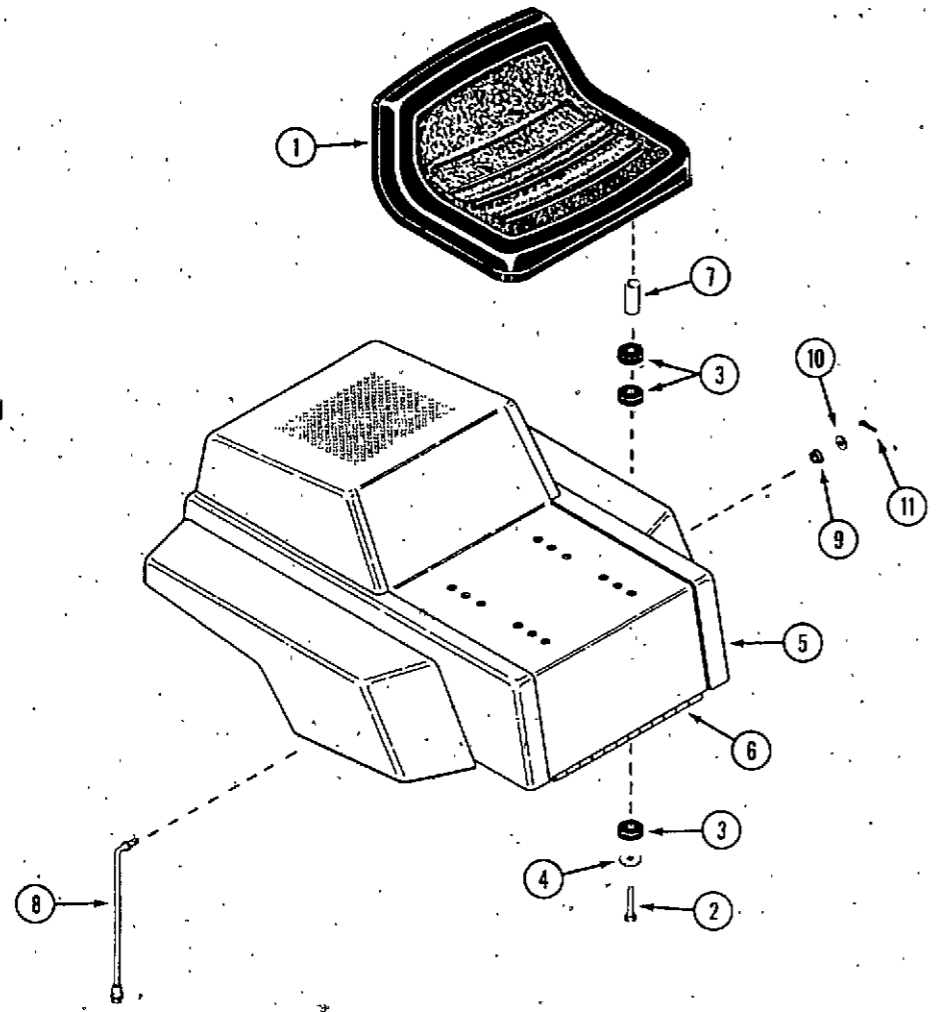
1	321- 4747	DECAL - ignition and throttle (80XC)	1
2	321- 4766	DECAL - "WARNING" (80XC)	1
3	C 26482	DECAL - operation (80XC)	1
4	321- 4755	DECAL - mower height adjust	1
5	321- 4763	DECAL - "CAUTION" blade	1
6	321- 4726	DECAL - "NO STEP"	1
10	321- 6642	DECAL - "DANGER" flying debris	1
11	C 26937	DECAL - chain lubrication	1
12	C 26483	DECAL - crown	1



FRAME AND CONTROL TOWER

REF.	PART NO.	DESCRIPTION	REQ'D
1	C 30174	FRAME - main	1
2	C 23349	TOWER - control	1
3	121- 106	BOLT 5/16" - 18 x 1/2 flange lock	4
4	129- 101	NUT - 1/4" - 20	3
5	C 23351	PANEL - instrument	1
6	187- 1334	SCREW - #8 x 1/2" phillips head	6
7	C 25548	CROWN - tower	1
8	182- 559	SCREW - #10 - 24 x 3/4" phillips	2
9	C 29123	BUMPER - front, rubber	1
10	C 28807	GROMMET - rubber	1
11	C 24529	CUSHION - rear enclosure	2
12	131- 67	NUT - lock #10 - 24 hex	4
13	192- 19	LOCK WASHER - 1/4"	3
14	131- 911	NUT - 5/16" - 18 flange lock	4



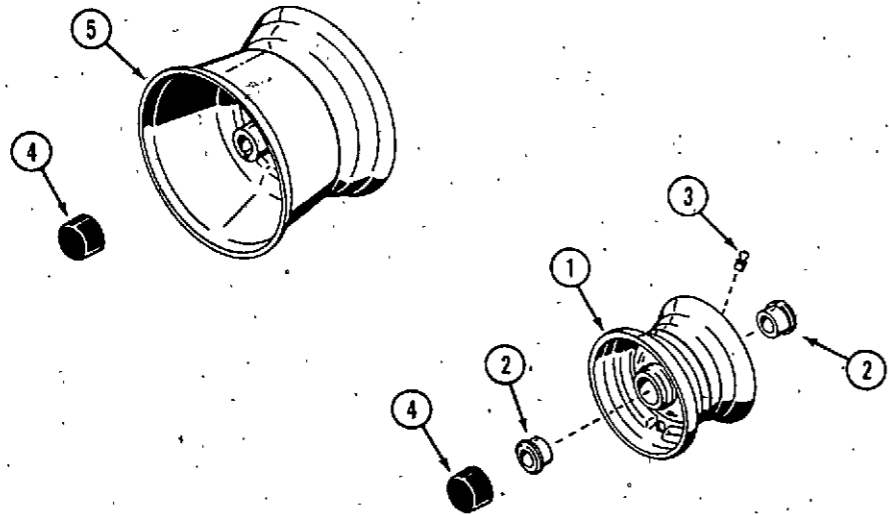


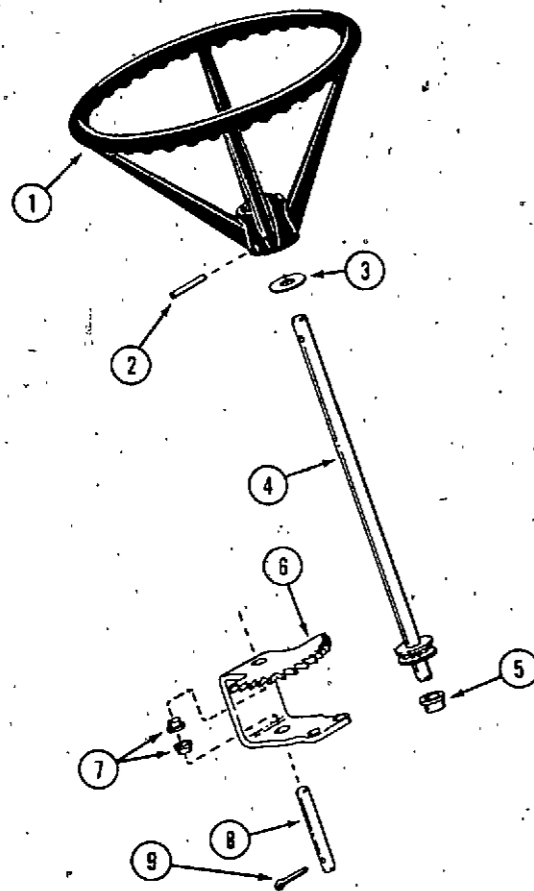
**SEAT AND REAR ENGINE ENCLOSURE**

REF.	PART NO.	DESCRIPTION	REQ'D
1	C 30063	SEAT - black	1
2	113- 120	BOLT - 5/16" - 18 x 1-3/4"	4
3	C 15410	CUSHION - rubber, seat	4
4	195- 2175	WASHER - 5/16" I.D. x 1-1/4" O.D.	4
5	C 30199	ENCLOSURE - engine, rear	1
6	C 24091	HINGE - enclosure	1
7	C 22023	SPACER	4
8	C 24562	ROD - prop, enclosure	1
9	C 24574	BUSHING - rod	1
10	195- 518	WASHER - 9/32" I.D. x 5/8" O.D.	1
11	132- 378	PIN - cotter 1/16" x 1"	1

**FRONT AND REAR WHEELS**

1	C 24501	WHEEL - front assembly	2
2	C 24503	BUSHING - wheel	4
3	219- 10	FITTING - lube 1/4" - 28 taper	2
4	C 26526	CAP - hub, plastic	4
5	C 24505	WHEEL - rear	2



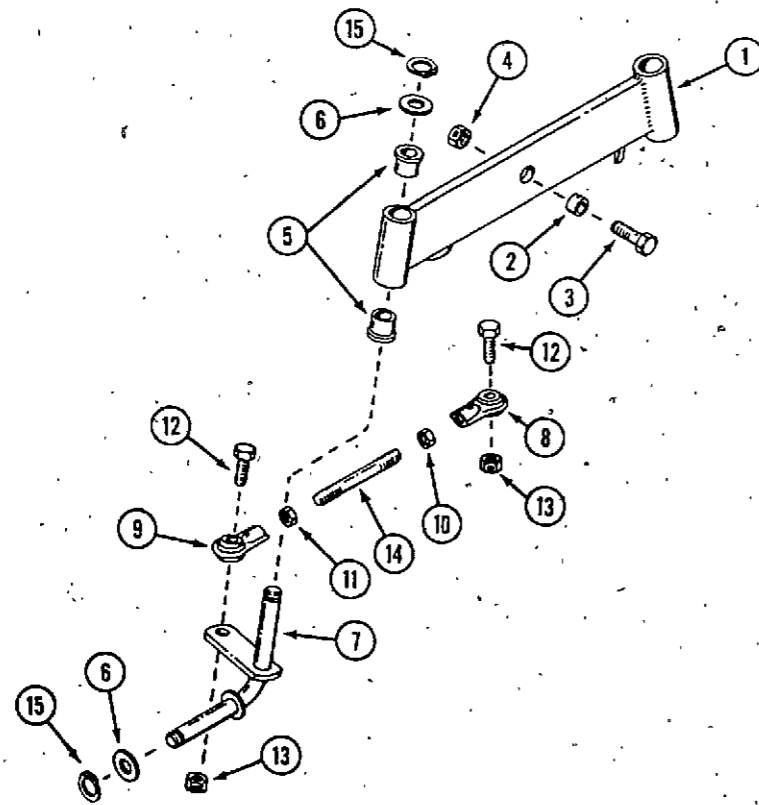


**STEERING ASSEMBLY**

REF.	PART NO.	DESCRIPTION	REQ'D
1	C 24100	WHEEL - steering	1
2	138- 143	PIN - steering wheel to shaft	1
3	195- 541	WASHER - 5/8"	4
4	C 24189	SHAFT - steering	1
5	C 27501	BUSHING - flange, bronze	1
6	C 24179	GEAR - sector, steering	1
7	C 24182	BUSHING - flange, bronze	2
8	C 24200	PIN - pivot, sector gear (service part)	1
9	132- 49	PIN - cotter 1/8" x 1-1/8"	1

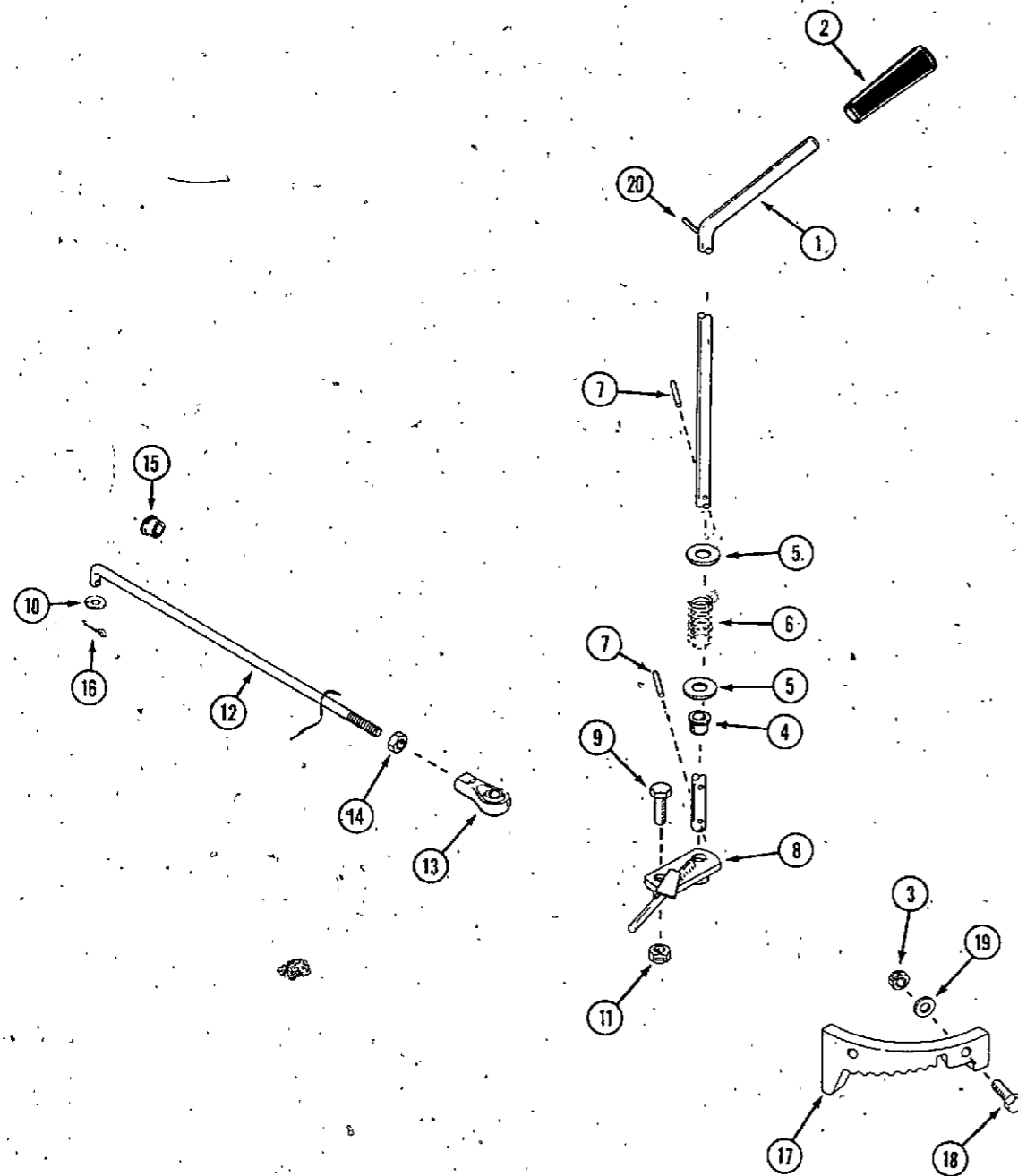
**FRONT AXLE**

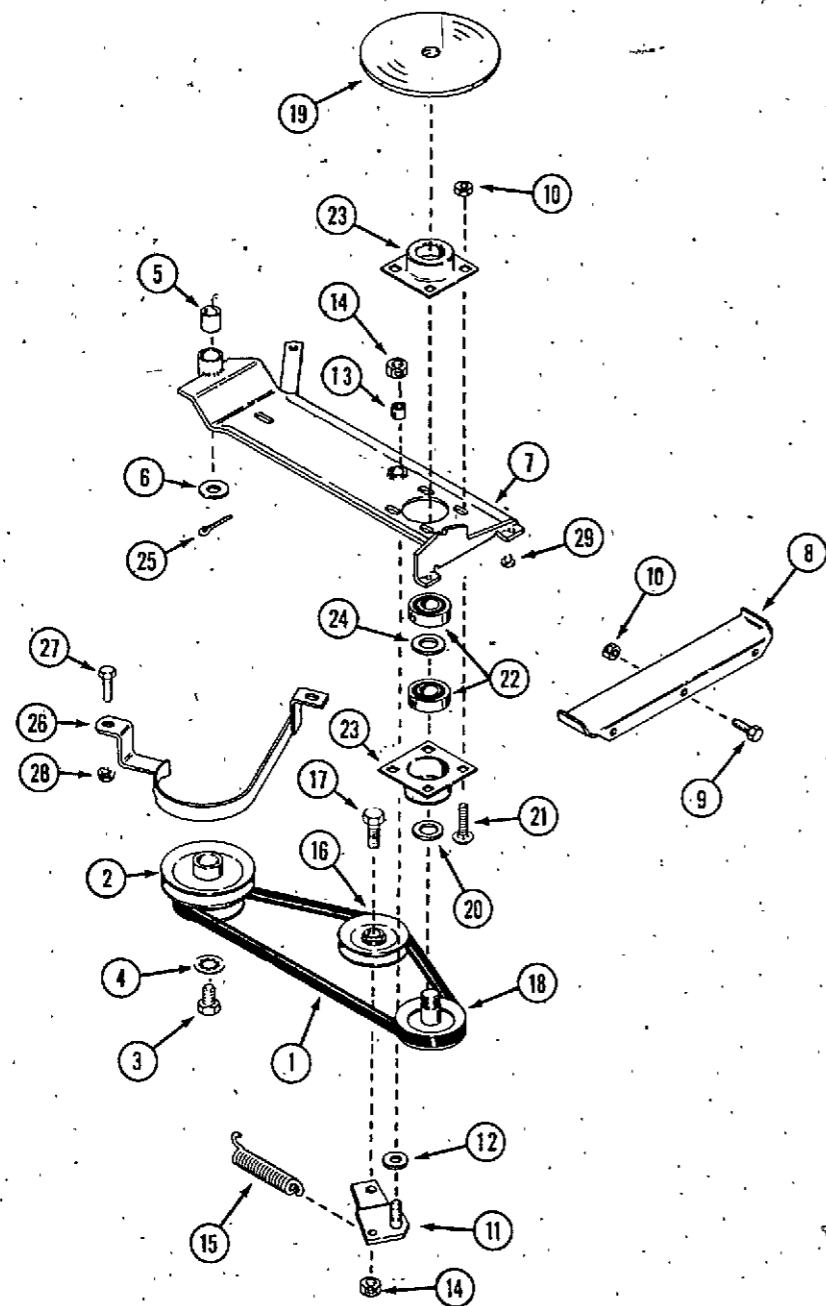
1	C 24178	AXLE - front	1
2	C 28646	BUSHING - axle pivot	1
3	113- 410	BOLT - 1/2" - 13 x 1-1/2"	1
4	131- 1182	NUT - lock 1/2" - 13 hex	1
5	C 25846	BUSHING - flange	4
6	C 28226	WASHER	4
7	C 27893	SPINDLE - left hand	1
7	C 27894	SPINDLE - right hand (shown)	1
8	C 26333	BALLJOINT - L.H. thread	2
9	C 26332	BALLJOINT - R.H. thread	2
10	129- 289	NUT - jam 3/8" - 24 hex, L.H. thread	2
11	129- .163	NUT - jam 3/8" - 24 hex	2
12	113- 208	BOLT - 3/8" - 16 x 1-1/4"	4
13	131- 1181	NUT - lock 3/8" - 16 hex	4
14	C 23964	TIE ROD	2
15	C 28232	RING - retaining	4



TRAVEL CONTROL

REF.	PART NO.	DESCRIPTION	REQ'D
1	C 29260	LEVER - travel control	1
2	C 29047	KNOB - travel control lever	1
3	131- 176	NUT - lock 5/16" - 18 hex	2
4	C 25229	BEARING - flange	1
5	195- 533	WASHER	2
6	C 24669	SPRING - control lever	1
7	138- 2071	PIN - roll 3/16" x 1"	2
8	C 24165	ARM - travel control (service part)	1
9	113- 208	BOLT - 3/8" - 16 x 1-1/4" hex	1
10	195- 104	WASHER - 1" O.D.	2
11	131- 1181	NUT - lock 3/8" - 16 hex	1
12	C 29116	ROD - control (arm to pivot plate)	2
13	C 26332	BALLJOINT - control rod, R.H. tread	2
14	129- 163	NUT - jam 3/8" - 24 hex	1
15	C 20093	BUSHING - fliplock	1
16	132- 321	PIN - cotter 3/32" x 1"	2
17	C 24401	LOCATOR - travel control	1
18	113- 103	BOLT - 5/16" - 18 x 1" hex	2
19	195- 521	WASHER - 5/16"	2
20	138 2073	PIN - spiral	1

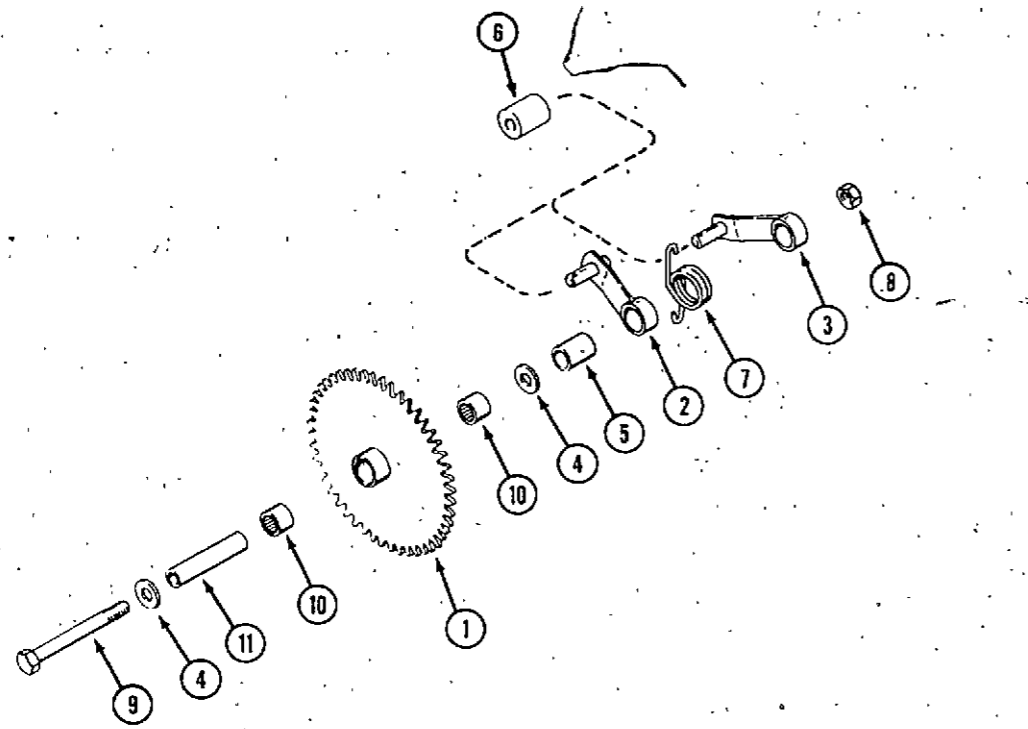




TRANSMISSION DRIVE PIVOT

REF.	PART NO.	DESCRIPTION	REQ'D
1	C 30186	BELT - traction drive	1
2	C 30187	PULLEY - engine	1
3	14- 712	BOLT - 7/16" - 20 x 3/4" hex	1
4	193- 31	LOCK WASHER - 7/16" internal tooth	1
5	C 30197	BUSHING - sleeve	1
6	195- 533	WASHER - 1/2"	1
7	C 30193	PLATE - pivot	1
8	C 24160	PLATE - slide, pivot plate	1
9	113- 118	BOLT - 5/16" - 18 x 5/8" hex	3
10	131- 176	NUT - lock 5/16" - 18 hex	7
11	C 22931	ARM - idler	1
12	195- 522	WASHER - 3/8"	1
13	C 17203	BUSHING - sleeve	1
14	131- 1181	NUT - lock 3/8" - 16 hex	2
15	C 24321	SPRING - idler arm	1
16	C 17213	PULLEY - idler, "V" belt	1
17	113- 209	BOLT - 3/8" - 16 x 1-1/2" hex	1
18	C 24128	PULLEY AND SHAFT ASSEMBLY - disc drive	1
19	C 24193	DISC - friction drive	1
20	C 12975	WASHER	1
21	111- 132	BOLT - 5/16" x 3/4" carriage	4
22	C 28971	BEARING - roller	2
23	C 23818	FLANGETTE	2
24	C 28226	WASHER	1
25	132- 310	PIN - cotter	1
26	C 30496	GUIDE - belt	1
27	113- 101	BOLT - 5/16" - 18 x 1/2"	1
28	131- 911	NUT - 5/16" flange lock	1
29	C 26458	BUTTON - slide	2



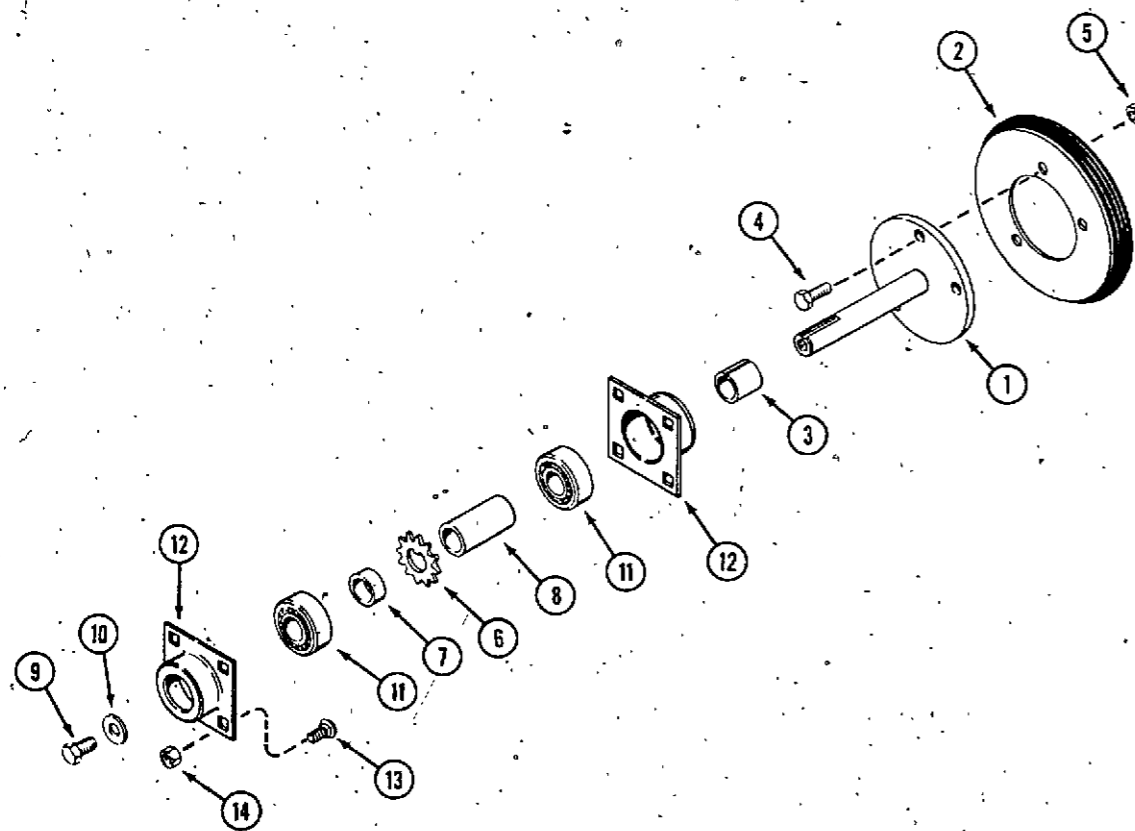


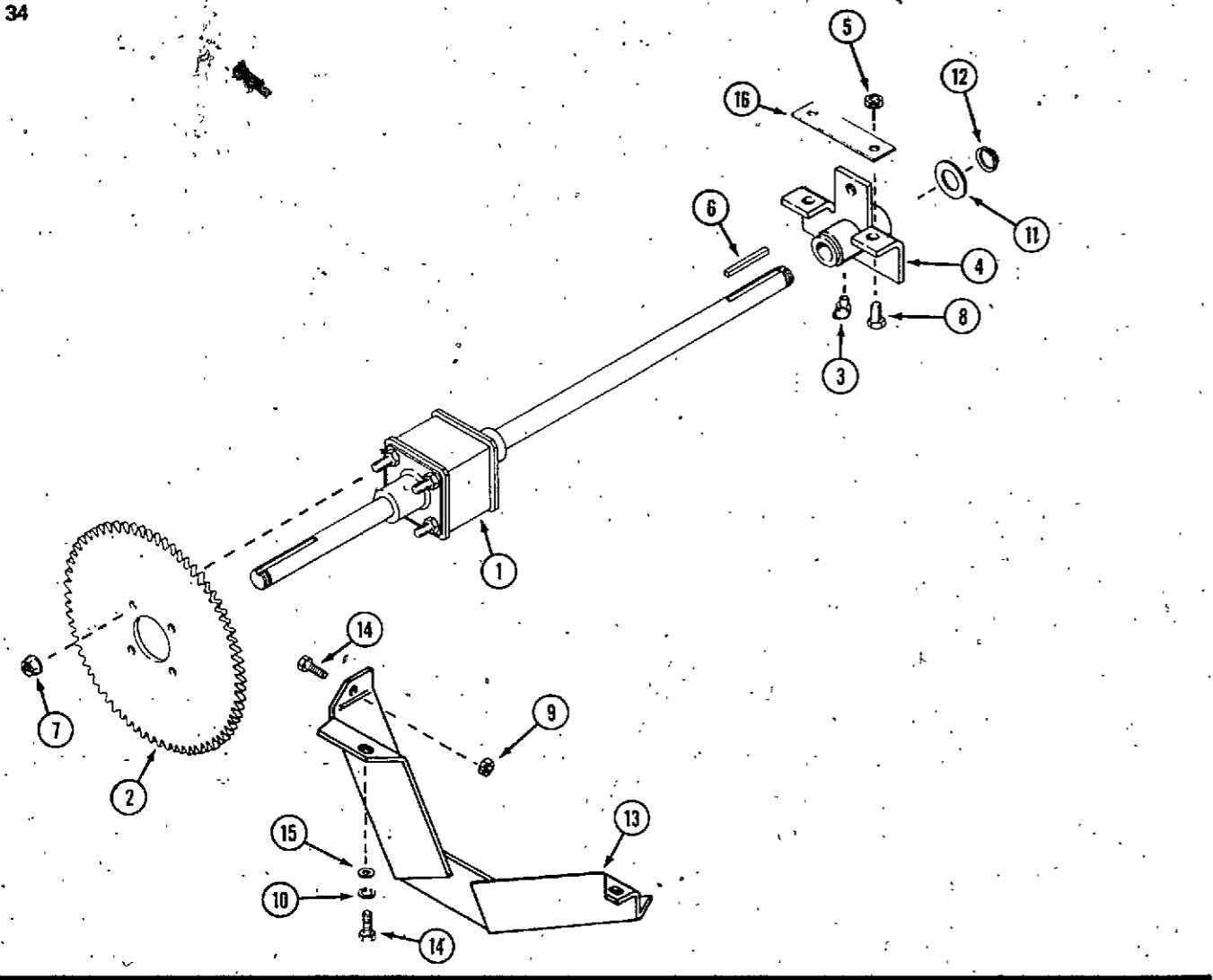
**JACKSHAFT ASSEMBLY  
(INTERMEDIATE DRIVE)**

REF.	PART NO.	DESCRIPTION	REQ'D
1	C 25087	SPROCKET ASSEMBLY - intermediate drive (dual sprocket)	1
2	C 26886	ARM - idler (upper)	1
3	C 26887	ARM - idler (lower)	1
4	C 28286	WASHER - shim	2
5	C 25091	BUSHING - sleeve	1
6	C 26862	ROLLER - idler	2
7	C 24225	SPRING - torsion, idler arms	1
8	131- 1181	NUT - lock 3/8" - 16 hex	1
9	113- 252	BOLT - 3/8" - 16 x 3-3/4" hex	1
10	C 25092	BEARING - 9/16" bore	1
11	C 25093	SPACER - bearing race	1

**DRIVE SHAFT ASSEMBLY  
(PRIMARY DRIVE)**

1	C 26130	SHAFT - primary drive	1
2	C 22891	WHEEL - friction drive	1
3	C 26129	SPACER - rolled	1
4	113- 102	BOLT - 5/16" - 18 x 3/4" hex	3
5	131- 176	NUT - lock 5/16" - 18 hex	3
6	C 25095	SPROCKET - drive	1
7	C 25097	SPACER - short	1
8	C 25098	SPACER - long	1
9	113- 205	BOLT - 3/8" - 16 x 5/8" hex	1
10	C 28263	WASHER	1
11	C 28971	BEARING - 3/4" bore	2
12	C 23818	FLANGETTE - bearing	1
13	111- 217	BOLT - 5/16" - 18 x 5/8" carriage	4
14	131- 176	NUT - lock 5/16" - 18 hex	4



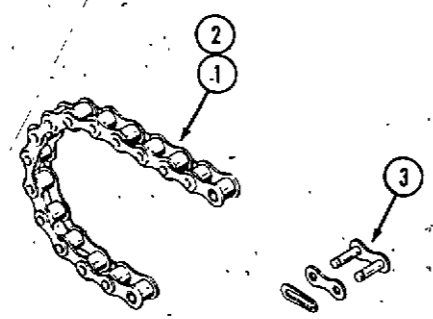


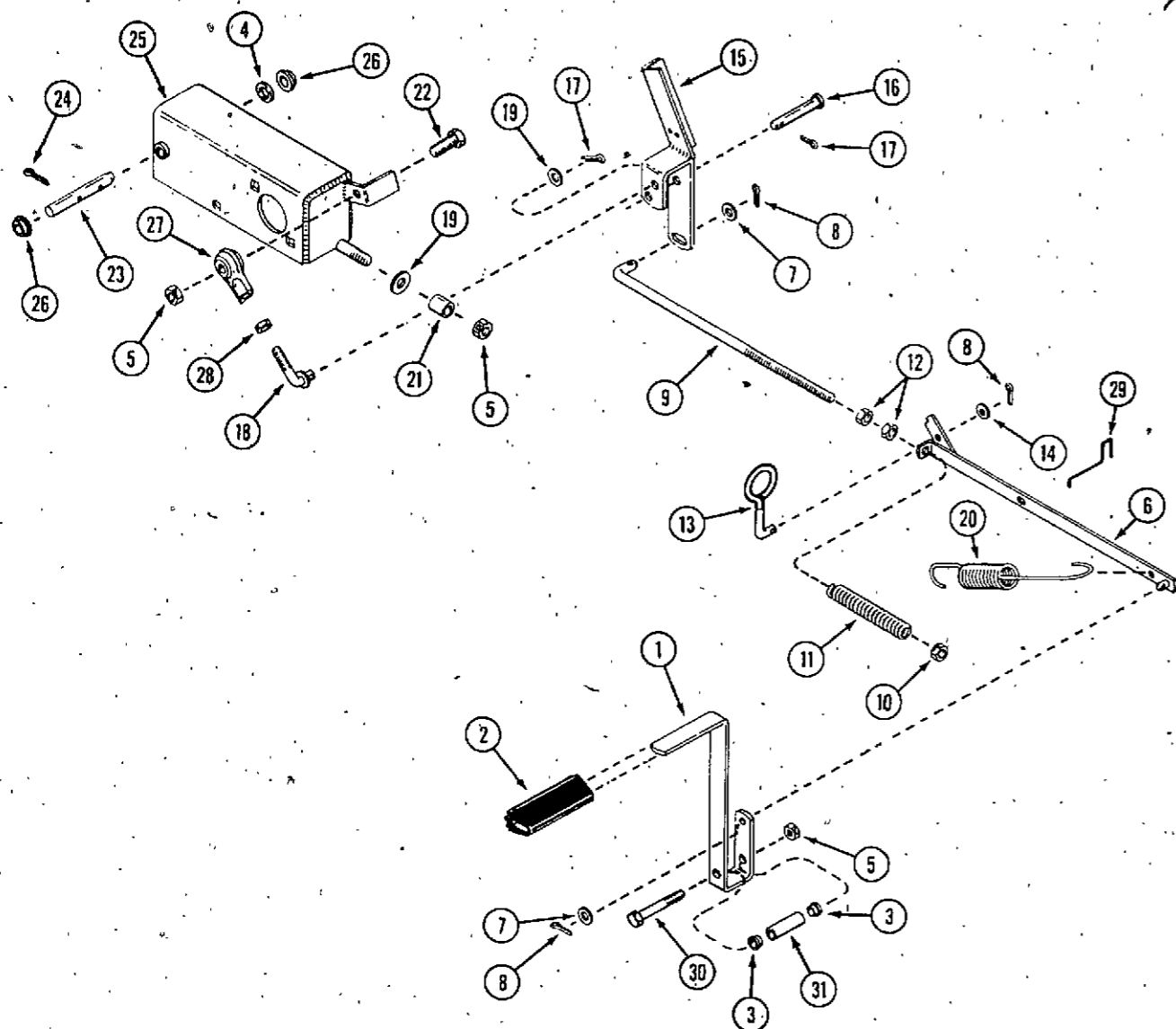
REAR AXLE

REF.	PART NO.	DESCRIPTION	REQ'D
1	C 26730	DIFFERENTIAL ASSEMBLY	1
	C 29920	GEAR CASE - includes gears	1
	C 29921	END CAP - includes bearing	2
	C 29922	AXLE - short, R.H.	1
	C 29923	AXLE - long, L.H.	1
	113-138	BOLT - 5/16" - 18 x 3-1/2"	4
	129-102	NUT - 5/16" - 18	4
2	C 26729	SPROCKET - drive, differential	1
3	219-404	FITTING - lubrication, 45°	2
4	C 25200	BEARING AND RETAINER ASSEMBLY	2
5	131-176	NUT - lock 5/16" - 18 hex	6
6	C 11796	KEY - 3/16" square x 2"	2
7	131-911	NUT - flange lock 5/16" - 18 hex	4
8	113-102	BOLT - 5/16" - 18 x 3/4"	6
9	131-1102	NUT - 1/4" - 20 hex lock	1
10	192-19	LOCKWASHER - 1/4"	2
11	C 28226	WASHER - spacer	UAR
12	C 28808	RING - snap	2
13	C 29141	GUARD - chain	1
14	113-1	BOLT - 1/4" - 20 x 1/2" hex	3
15	195-518	WASHER - 1/4"	2
16	C 30543	SHIM - bearing retainer	2

DRIVE CHAIN

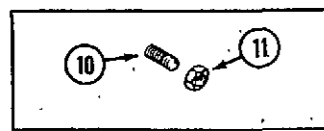
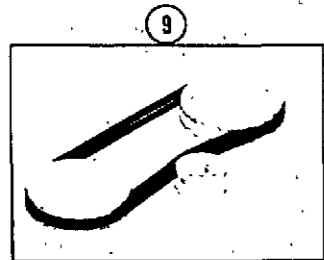
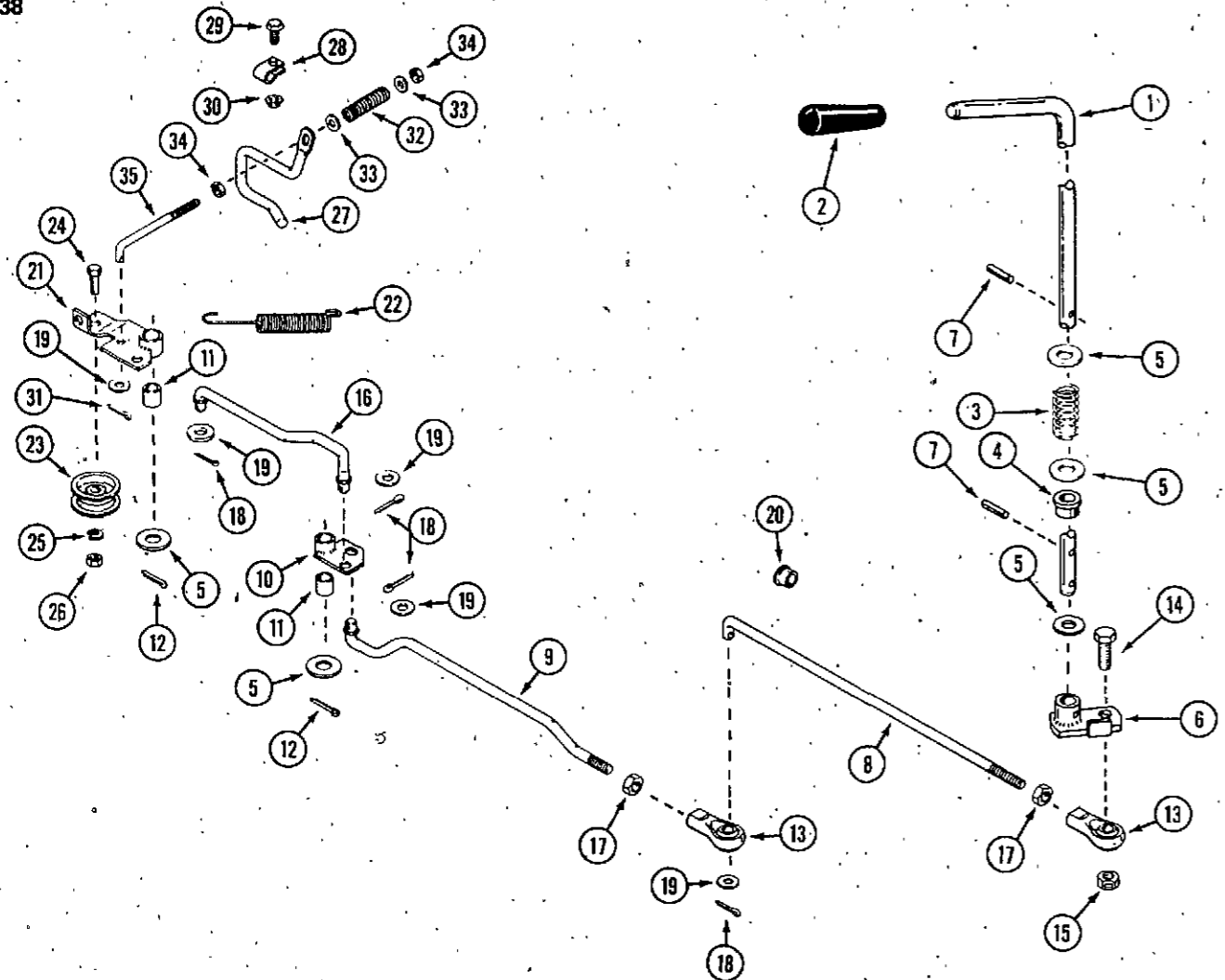
1	C 24343	CHAIN - #35 (primary drive to intermediate drive) 56 pitches	1
2	C 25094	CHAIN - #35 (intermediate drive to rear axle) 106 pitches	1
3	C 28645	CONNECTOR LINK - #35	2



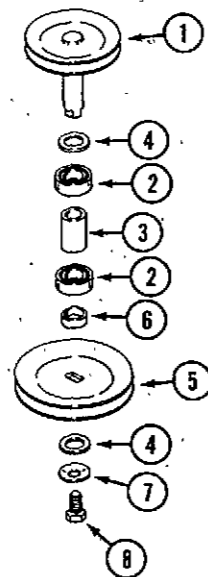


## CLUTCH AND BRAKE

REF.	PART NO.	DESCRIPTION	REQ'D
1	C 24112	LEVER - clutch/brake assembly	1
2	C 24345	PAD - foot, rubber	1
3	C 26266	BUSHING - flange, nylon (press into chassis)	2
4	C 28806	WASHER - shim	UAR
5	131- 1181	NUT - lock 3/8" - 16 hex	3
6	C 24551	BRACKET - parking brake	1
7	195- 518	WASHER - 1/4"	2
8	132- 6	PIN - cotter 1/16" x 5/8"	3
9	C 24753	ROD - brake adjust	1
10	131- 1102	NUT - lock 1/4" - 20 hex	1
11	C 24565	SPRING - brake rod	1
12	129- 101	NUT - 1/4" - 20 hex	2
13	C 24568	HANDLE - parking brake	1
14	195- 513	WASHER - 3/16"	1
15	C 24749	ARM - brake (service part)	1
16	C 28266	PIN - clevis	1
17	132- 310	PIN - cotter 1/8" x 1"	3
18	C 25555	LINK - clutch	1
19	195- 525	WASHER - 3/8"	3
20	C 27755	SPRING - brake return	1
21	C 12045	SLEEVE - roller	1
22	113- 209	BOLT - 3/8" - 16 x 1-1/2"	1
23	C 24200	PIN - pivot	1
24	132- 49	PIN - cotter 1/8" x 1-1/8"	1
25	C 25083	HOUSING - chain and gears (service part)	1
26	C 24182	BUSHING - flange	2
27	C 26332	BALLJOINT	1
28	129- 163	NUT - jam 3/8" - 24 hex	1
29	C 30223	WIRE - neutral start switch actuator	1
30	113- 248	BOLT - 3/8" - 16 x 2-3/4"	1
31	C 26848	SPACER - bushing 1/2" x 2"	1



BELT GUIDE

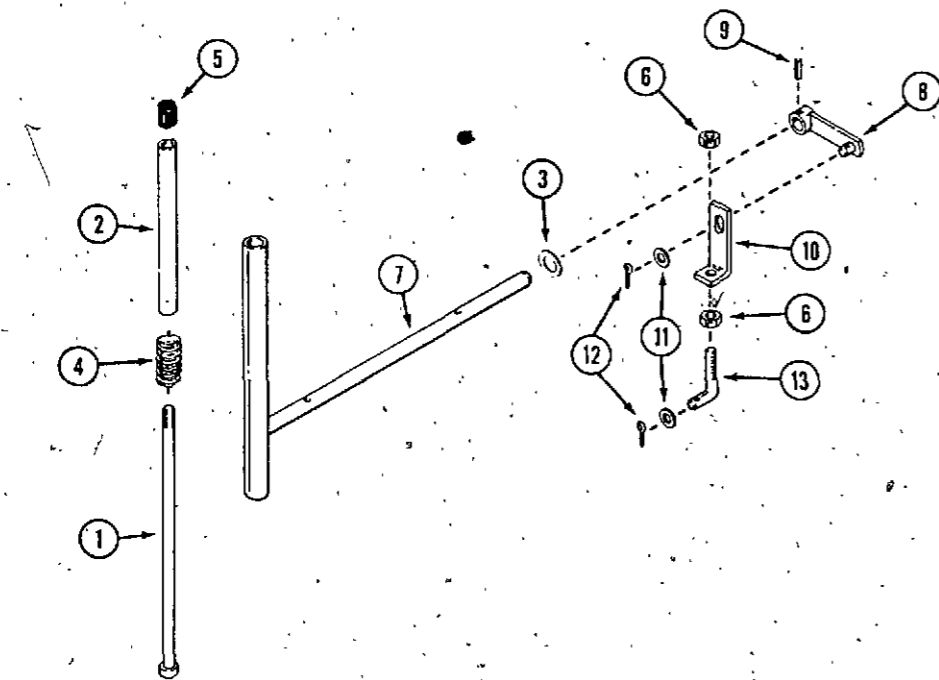


MOWER DRIVE LINKAGE

REF.	PART NO.	DESCRIPTION	REQ'D
1	C 29260	LEVER - mower drive	1
2	C 29046	KNOB - lever, mower drive	1
3	C 24669	SPRING - tension	1
4	C 25229	BUSHING - flange	1
5	195- 533	WASHER - 1/2"	5
6	C 24170	ARM - control (service part)	1
7	138- 2071	PIN - spiral 3/16" x 15/16"	2
8	C 30205	ROD - control, front	1
9	C 30513	ROD - control, center	1
10	C 30514	BELLCRANK	1
11	C 30197	BUSHING - sleeve	2
12	132- 310	PIN - cotter	2
13	C 26332	BALLJOINT	2
14	113- 208	BOLT - 3/8" - 16 x 1-1/4"	1
15	131- 1181	NUT - 3/8" - 16 lock	1
16	C 30516	LINK - control	1
17	129- 163	NUT - 3/8" - 24	2
18	132- 321	PIN - cotter	4
19	195- 525	WASHER - 3/8"	4
20	C 20093	BUSHING - fliplock	1
21	C 30207	ARM - idler	1
22	C 30532	SPRING - idler	1
23	C 23535	PULLEY - idler	1
24	113- 209	BOLT - 3/8" - 16 x 1-1/2"	1
25	192- 21	LOCK WASHER - 3/8"	1
26	129- 103	NUT - 3/8" - 16	1
27	C 30517	BRAKE - belt	1
28	C 30518	CLAMP - brake pivot	2
29	121- 106	BOLT - 5/16" - 18 x 1/2" flange lock	2
30	131- 911	NUT - 5/16" - 18 flange lock	2
31	132- 320	PIN - cotter 3/32" x 3/4"	1
32	C 30519	SPRING - compression	1
33	195- 518	WASHER - 1/4"	2
34	131- 1180	NUT - 1/4" - 20 lock	2
35	C 30217	ROD - brake return	1

POWER TAKE OFF (PTO)

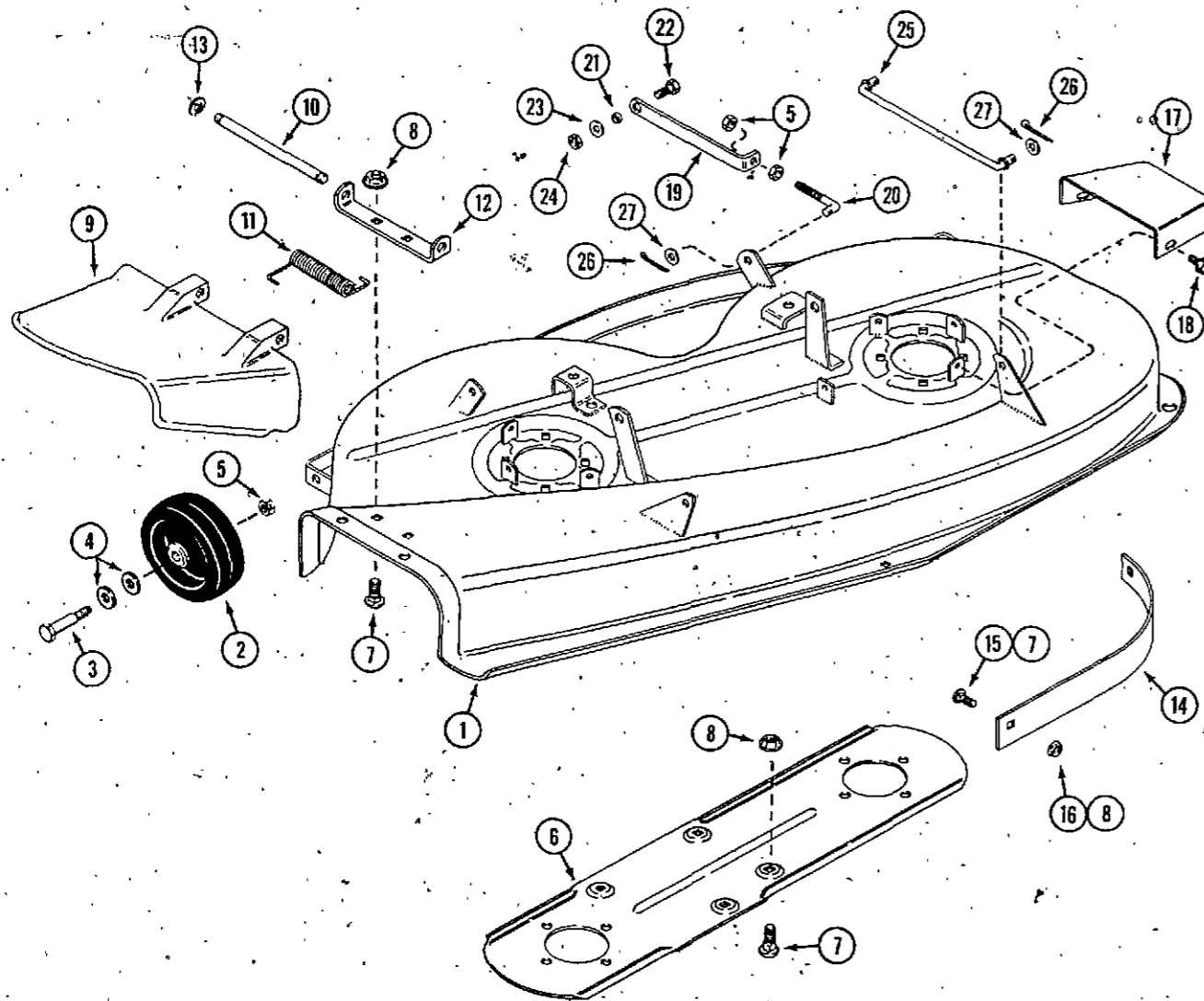
1	C 30218	PULLEY ASSEMBLY - PTO, top	1
2	C 28971	BEARING - PTO	2
3	C 30221	SPACER - bearing	1
4	C 12975	WASHER	2
5	C 15083	PULLEY - PTO, bottom	1
6	C 29431	SPACER - pulley	1
7	C 28263	WASHER - belleville	1
8	113- 205	BOLT - 3/8" - 16 x 5/8"	1
9	C 30222	BELT - PTO	1
10	178- 685	SETSCREW - 1/2" - 13 x 1" (belt keeper)	1
11	131- 1308	NUT - 1/2" - 13	1



MOWER HEIGHT AND LIFT CONTROL

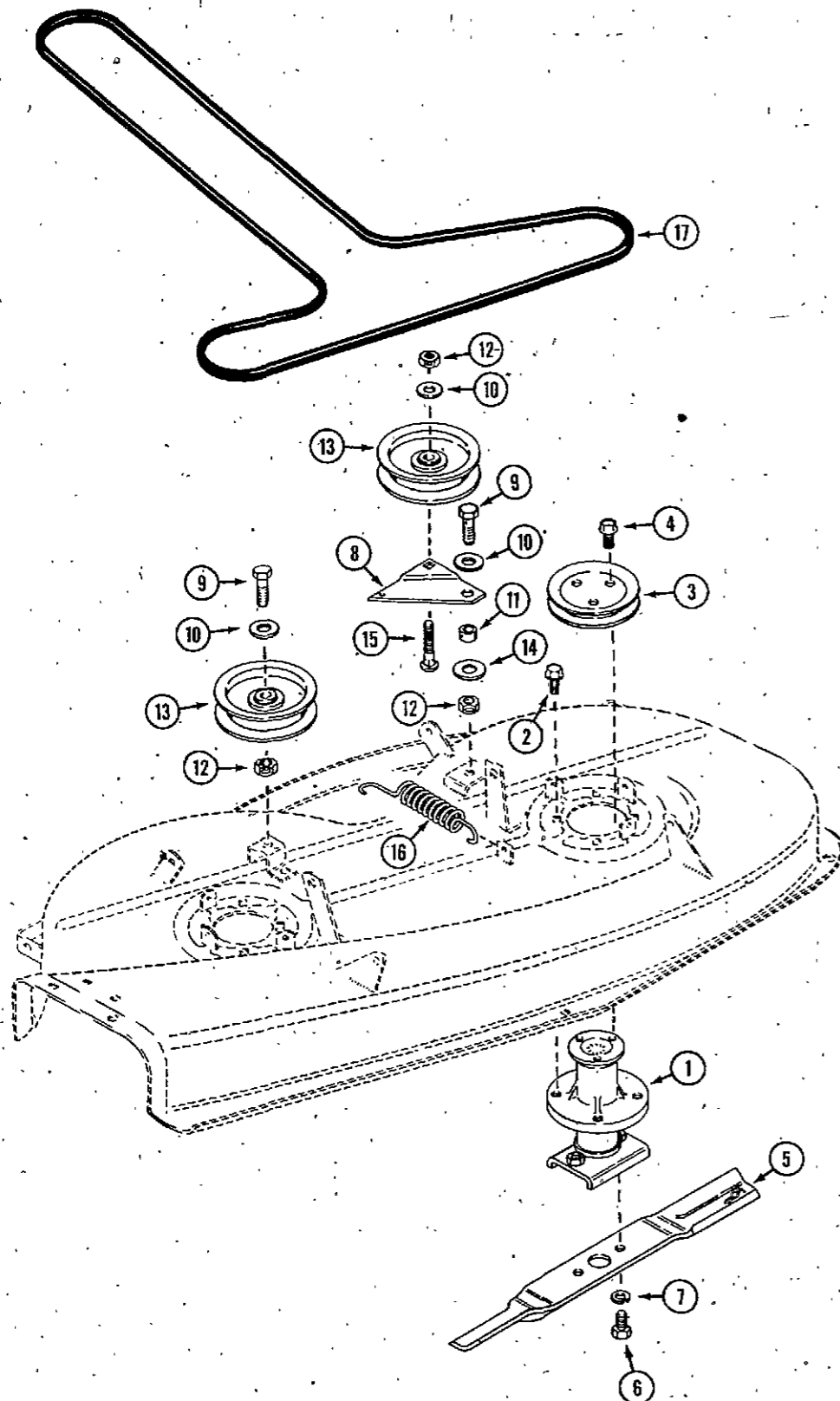
REF.	PART NO.	DESCRIPTION	REQ'D
1	C 29091	ROD - push	1
2	C 29092	SPACER - lift	1
3	195- 2063	WASHER	UAR
4	C 15564	SPRING - return	1
5	C 14525	BUTTON - push	1
6	131- 1181	NUT - lock 3/8" - 16 hex	4
7	C 29086	SHAFT - lift pivot	1
8	C 24528	ARM - lift	2
9	138- 2071	PIN - spiral	2
10	C 24522	LINK - lift	2
11	195- 525	WASHER - 3/8"	4
12	132- 310	PIN - cotter 1/8" x 1"	4
13	C 24314	BOLT - "J", link adjust	2

MOWER DECK AND CHUTE DEFLECTOR



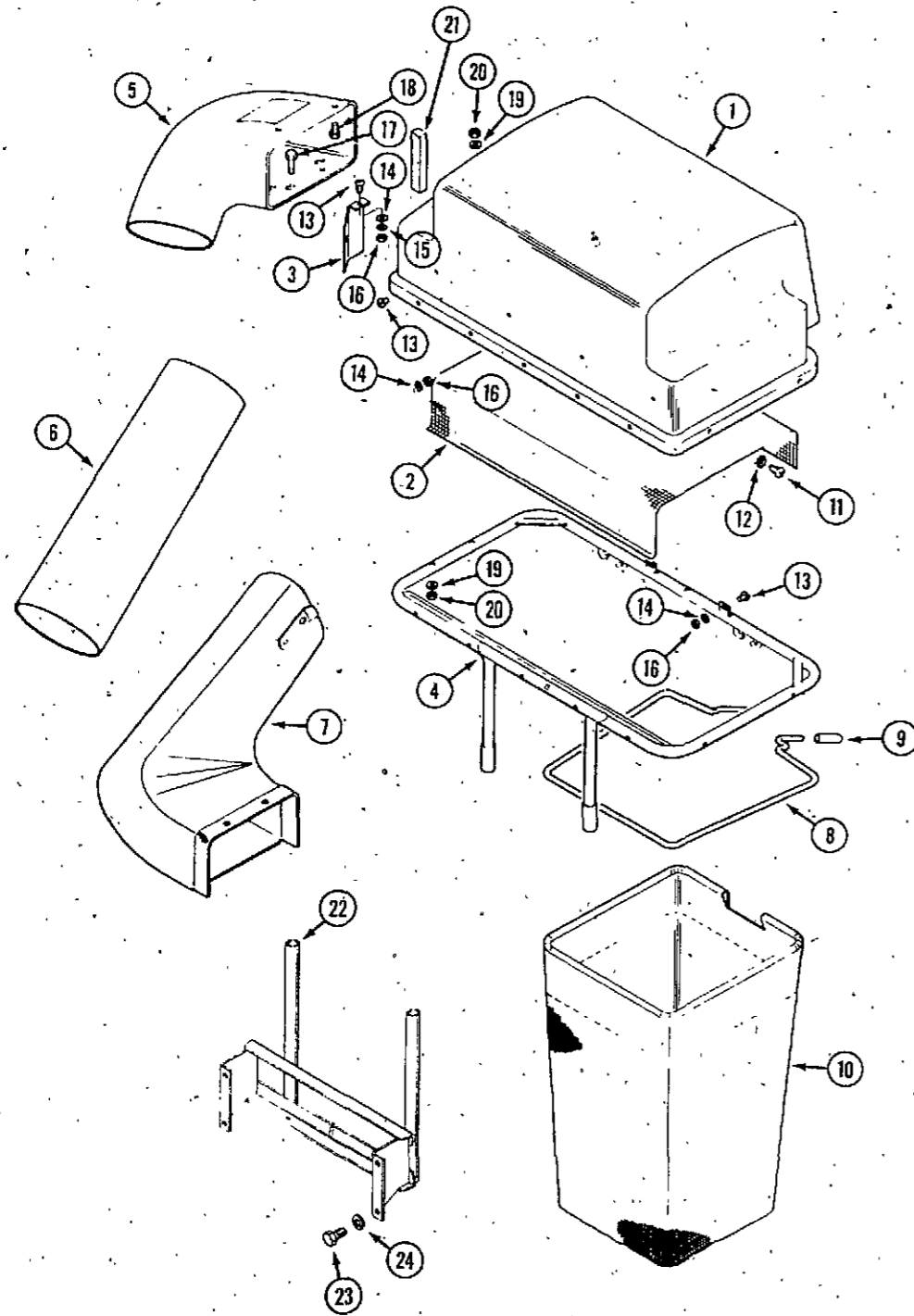
REF.	PART NO.	DESCRIPTION	REQ'D
1	C 30225	DECK - mower 38"	1
2	C 29711	WHEEL - 4" (100 mm)	2
3	C 16745	BOLT - shoulder	2
4	195- 103	WASHER	4
5	131- 1181	NUT - 3/8" - 16 lock	6
6	C 29512	PLATE - reinforcement	1
7	111- 132	BOLT - 5/16" - 18 x 3/4" carriage	6
8	131- 911	NUT - 5/16" - 18 flange lock	6
9	C 29420	DEFLECTOR - chute	1
10	C 29421	ROD - hinge	1
11	C 29422	SPRING - hinge	1
12	C 29423	BRACKET - hinge	1
13	C 29424	RING - retaining	2
14	C 29482	BAFLE - deck	1
15	111- 340	BOLT - 3/8" - 3/4"	1
16	131- 938	NUT - 3/8" flange lock	1
17	C 30242	COVER - belt	2
18	187- 1036	SCREW - 1/4" - 20 x 1/2" self-tapping	6
19	C 30243	LINK - suspension, rear	2
20	C 24314	BOLT - "J", level adjust	2
21	C 25553	SPACER	2
22	113- 4	BOLT - 1/4" - 20 x 1"	2
23	195- 518	WASHER - 1/4"	2
24	131- 1180	NUT - 1/4" - 20 lock	2
25	C 29094	LINK - suspension, front	2
26	132- 320	PIN - cotter 3/32" x 3/4"	6
27	195- 525	WASHER - 3/8"	6

MOWER PULLEYS, SPINDLES AND BLADES



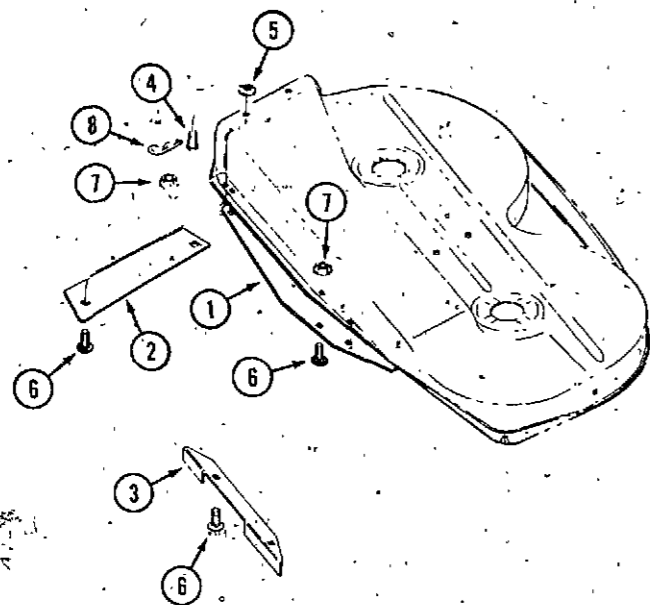
REF.	PART NO.	DESCRIPTION	REQ'D
1	C 30236	SPINDLE ASSEMBLY - mower	2
2	C 29691	SCREW - 5/16" - 18 x 1/2"	8
3	C 30107	PULLEY - spindle	2
4	C 29690	SCREW - 5/16" - 18 x 1/2"	6
5	C 29427	BLADE - 19.44" (493 mm)	2
6	113- 206	BOLT - 3/8" - 16 x 3/4"	4
7	192- 21	LOCK WASHER - 3/8"	4
8	C 30522	ARM - idler	1
9	113- 207	BOLT - 3/8" - 16 x 1"	2
10	195- 525	WASHER - 3/8"	2
11	C 14768	SPACER - idler arm	1
12	131- 1181	NUT - 3/8" lock	3
13	C 12251	PULLEY - backside idler	2
14	195- 105	WASHER - 1/2"	1
15	111- 366	BOLT - 3/8" - 16 carriage	1
16	C 24321	SPRING - extension	1
17	C 30241	BELT - mower drive	1

**BAGGER ASSEMBLY**



REF.	PART NO.	DESCRIPTION	REQ'D
1	C 29489	COVER - bagger	1
2	C 29490	SCREEN - cover	1
3	C 29491	PLATE - shield	1
4	C 29492	HANGER - hopper	1
5	C 29493	EXTENSION - upper chute	1
6	C 30105	TUBE - discharge	1
7	C 30106	BOOT - mower	1
8	C 29498	ROD - hopper support	2
9	C 29178	GRIP - handle	4
10	C 28438	BAG - grass	2
11	187- 1738	SCREW - #10 x 1/2" self-tapping	9
12	193- 42	LOCK WASHER - #10 external tooth	9
13	182- 524	SCREW - #10 x 5/8"	12
14	195- 513	WASHER - #10	12
15	192- 18	LOCK WASHER - #10	12
16	129- 17	NUT - #10	12
17	113- 5	BOLT - 1/4" x 1-1/2"	2
18	113- 3	BOLT - 1/4" x 3/4"	2
19	195- 518	WASHER - 1/4"	4
20	131- 1180	NUT - 1/4" lock	4
21	C 29505	SEAL	2
22	C 30244	BRACKET - mounting	1
23	113- 102	BOLT - 5/16" - 18 x 3/4"	4
24	192- 20	LOCK WASHER - 5/16"	4



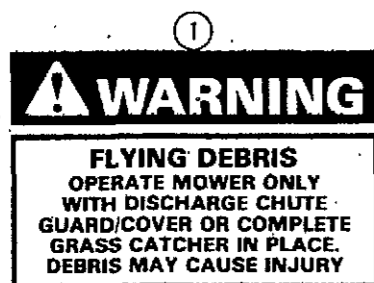


**DECK BAFFLES**

REF.	PART NO.	DESCRIPTION	REQ'D
1	C 29483	BAFFLE - front	1
2	C 29484	BAFFLE - R.H.	1
3	C 29486	BAFFLE - chute	1
4	141- 3	PIN - clevis	2
5	193- 92	NUT - push	2
6	111- 132	BOLT - 5/16" x 3/4" carriage	7
7	131- 911	NUT - 5/16" flange lock	7
8	C 16450	PIN - cotter hair	2

**BAGGER DECALS**

1	C 28428	DECAL - "Warning"	2
2	321- 4447	DECAL - "Danger"	1



## NUMERICAL INDEX

PART NO.	PAGE NO.	REF. NO.	PART NO.	PAGE NO.	REF. NO.	PART NO.	PAGE NO.	REF. NO.		
BR	26157	13	C	16078	11	22	C	24574	25	9
BR	26828	5	C	16450	49	8	C	24659	19	9
BR	65906	5	C	16745	43	3	C	24669	29	6
BR	66538	9	C	17203	31	13	C	24669	39	3
BR	66768	5	C	17213	31	16	C	24689	11	26
BR	68838	7	C	18814	7	8	C	24749	37	15
BR	92284	7	C	20093	29	15	C	24753	37	9
BR	93323	11	C	20093	39	20	C	25083	37	25
BR	93357	13	C	22023	25	7	C	25087	33	1
BR	93499	13	C	22891	33	2	C	25091	33	5
BR	93622	11	C	22931	31	11	C	25092	33	10
BR	93630	5	C	22947	19	10	C	25093	33	11
BR	93723	5	C	23248	19	8	C	25094	35	2
BR	211712	13	C	23349	23	2	C	25095	33	6
BR	220865	7	C	23351	23	5	C	25097	33	7
BR	221535	9	C	23535	39	23	C	25098	33	8
BR	221596	5	C	23641	11	1	C	25125	11	27
BR	221798	9	C	23818	31	23	C	25200	35	4
BR	221995	13	C	23818	33	12	C	25229	29	4
BR	222010	13	C	23964	27	14	C	25229	39	4
BR	222014	13	C	24091	25	6	C	25469	13	1
BR	222450	9	C	24100	27	1	C	25548	23	7
BR	222502	7	C	24112	37	1	C	25553	43	21
BR	222561	7	C	24128	31	18	C	25555	37	18
BR	230896	13	C	24160	31	8	C	25701	13	2
BR	231055	5	C	24165	29	8	C	25709	5	2
BR	231058	9	C	24170	39	6	C	25711	5	4
BR	260584	9	C	24178	27	1	C	25712	5	8
BR	261116	13	C	24179	27	6	C	25713	5	9
BR	261129	9	C	24182	15	8	C	25714	5	9
BR	270382	13	C	24182	27	7	C	25715	5	9
BR	270511	13	C	24182	37	26	C	25717	5	13
BR	270920	7	C	24189	27	4	C	25718	5	14
BR	292260	5	C	24193	31	19	C	25719	7	1
BR	292681	13	C	24200	27	8	C	25725	5	19
BR	299707	13	C	24200	37	23	C	25726	5	19
BR	299740	13	C	24225	33	7	C	25727	5	19
BR	390684	13	C	24263	19	1	C	25728	5	20
BR	391406	5	C	24314	41	13	C	25729	5	21
BR	391733	9	C	24314	43	20	C	25730	5	21
BR	392134	7	C	24321	31	15	C	25732	5	23
C	10657	11	C	24321	45	16	C	25733	5	24
C	10678	13	C	24329	9	4	C	25735	5	26
C	11529	11	C	24343	35	1	C	25736	5	30
C	11796	35	C	24345	37	2	C	25736	5	30
C	12045	37	C	24401	29	17	C	25738	13	1
C	12251	45	C	24428	19	3	C	25742	13	13
C	12519	21	C	24460	19	6	C	25746	5	32
C	12975	31	C	24501	25	1	C	25750	7	12
C	12975	39	C	24503	25	2	C	25751	5	33
C	14399	7	C	24505	25	5	C	25752	5	35
C	14525	41	C	24522	41	10	C	25757	5	
C	14768	45	C	24528	41	8	C	25758	11	13
C	14906	7	C	24529	23	11	C	25759	11	12
C	15083	39	C	24551	37	6	C	25760	11	11
C	15410	25	C	24562	25	8	C	25762	11	14
C	15540	11	C	24565	37	11	C	25764	13	29
C	15564	41	C	24568	37	13	C	25846	27	5

## NUMERICAL INDEX

PART NO.	PAGE NO.	REF. NO.	PART NO.	PAGE NO.	REF. NO.	PART NO.	PAGE NO.	REF. NO.		
C	26108	19	C	27961	21	1	C	29512	43	6
C	26129	33	C	27997	21	3	C	29690	45	4
C	26130	33	C	28226	27	6	C	29691	45	2
C	26142	19	C	28226	31	24	C	29711	43	2
C	26266	37	C	28226	35	11	C	29778	5	11
C	26332	27	C	28232	27	15	C	29779	13	9
C	26332	29	C	28263	33	10	C	29780	13	24
C	26332	37	C	28263	39	7	C	29781	11	17
C	26332	39	C	28266	37	16	C	29785	9	1
C	26333	27	C	28286	33	4	C	29794	9	10
C	26359	17	C	28428	21	10	C	29795	9	3
C	26425	19	C	28428	49	1	C	29796	9	15
C	26426	19	C	28438	47	10	C	29816	17	1
C	26458	31	C	28643	9	17	C	29818	17	3
C	26482	21	C	28644	19	2	C	29824	5	3
C	26483	21	C	28645	35	3	C	29826	5	18
C	26507	13	C	28646	27	2	C	29827	5	18
C	26526	25	C	28806	15	7	C	29828	5	18
C	26729	35	C	28806	37	4	C	29829	5	18
C	26730	35	C	28807	23	10	C	29830	5	19
C	26848	37	C	28808	35	12	C	29831	5	22
C	26862	33	C	28935	11	3	C	29832	5	25
C	26886	33	C	28937	11	4	C	29833	5	31
C	26887	33	C	28937	11	9	C	29834	17	2
C	26936	21	C	28971	31	22	C	29834	17	4
C	26937	21	C	28971	33	11	C	29836	11	10
C	27236	5	C	28971	39	2	C	29846	9	1
C	27240	13	C	29046	39	2	C	29865	7	9
C	27244	13	C	29047	29	2	C	29867	7	8
C	27254	13	C	29075	21	5	C	29920	35	
C	27255	13	C	29086	41	7	C	29921	35	
C	27256	17	C	29091	41	1	C	29922	35	
C	27258	17	C	29092	41	2	C	29923	35	
C	27259	17	C	29094	43	25	C	29928	5	1
C	27260	17	C	29116	29	12	C	29935	21	2
C	27262	17	C	29119	21	4	C	30063	25	1
C	27263	17	C	29123	23	9	C	30105	47	6
C	27264	17	C	29141	35	13	C	30106	47	7
C	27264	19	C	29178	47	9	C	30107	45	3
C	27350	5	C	29260	29	1	C	30159	21	7
C	27421	17	C	29260	39	1	C	30160	21	14
C	27422	17	C	29420	43	9	C	30166	21	15
C	27424	17	C	29421	43	10	C	30174	23	1
C	27501	27	C	29422	43	11	C	30186	31	1
C	27521	19	C	29423	43	12	C	30187	31	2
C	27523	19	C	29424	43	13	C	30188	15	1
C	27532	19	C	29427	45	5	C	30191	11	23
C	27533	19	C	29431	39	6	C	30192	11	24
C	27534	19	C	29482	43	14	C	30193	31	7
C	27541	19	C	29483	49	1	C	30197	31	5
C	27549	19	C	29484	49	2	C	30197	39	11
C	27751	19	C	29486	49	3	C	30199	25	5
C	27755	37	C	29489	47	1	C	30205	39	8
C	27893	27	C	29490	47	2	C	30207	39	21
C	27894	27	C	29491	47	3	C	30217	39	35
C	27905	21	C	29492	47	4	C	30218	39	1
C	27906	21	C	29493	47	5	C	30221	39	3
C	27946	21	C	29498	47	8	C	30222	39	9
C	27947	21	C	29505	47	21	C	30223	37	29

PART NO.	PAGE NO.	REF. NO.	PART NO.	PAGE NO.	REF. NO.	PART NO.	PAGE NO.	REF. NO.			
C	30225	43	1	113-	138	13	3	131-	1181	29	11
C	30236	45	1	113-	138	35		131-	1181	31	14
C	30241	45	17	113-	205	33	9	131-	1181	33	8
C	30242	43	17	113-	205	39	8	131-	1181	37	5
C	30243	43	19	113-	206	45	6	131-	1181	39	15
C	30244	47	22	113-	207	45	9	131-	1181	41	6
C	30267	19	11	113-	208	27	12	131-	1181	43	5
C	30405	13	31	113-	208	29	9	131-	1181	45	12
C	30444	7	6	113-	208	39	14	131-	1182	27	4
C	30452	5	12	113-	209	31	17	131-	1308	39	11
C	30453	13	15	113-	209	37	22	132-	6	37	8
C	30454	11	15	113-	209	39	24	132-	49	27	9
C	30455	11	16	113-	248	37	30	132-	49	37	24
C	30456	7	3	113-	252	33	9	132-	310	31	25
C	30457	7	5	113-	410	27	3	132-	310	37	17
C	30492	15	1	121-	21	15	2	132-	310	39	12
C	30496	31	26	121-	106	15	2	132-	310	41	12
C	30503	15	3	121-	106	23	3	132-	320	39	31
C	30513	39	9	121-	106	39	29	132-	320	43	26
C	30514	39	10	129-	6	9	13	132-	321	29	16
C	30516	39	16	129-	7	9	7	132-	321	39	18
C	30517	39	27	129-	13	19	13	132-	378	25	11
C	30518	39	28	129-	17	11	21	136-	103	9	16
C	30519	39	32	129-	17	47	16	138-	75	17	9
C	30522	45	8	129-	37	19	15	138-	143	27	2
C	30532	39	22	129-	101	19	6	138-	251	13	6
C	30535	15	5	129-	101	23	4	138-	2071	29	7
C	30536	15	6	129-	101	37	12	138-	2071	39	7
C	30539	21	9	129-	102	35		138-	2071	41	9
C	30543	35	16	129-	103	39	26	138-	2073	29	20
				129-	163	27	11	141-	3	49	4
				129-	163	29	14	163-	4	9	18
				129-	163	37	28	169-	145	19	11
				129-	163	39	17	178-	685	39	10
				129-	289	27	10	182-	10	19	12
				131-	1	13	5	182-	84	7	4
				131-	67	23	12	182-	87	13	4
				131-	176	29	3	182-	90	7	10
				131-	176	31	10	182-	147	19	17
				131-	176	33	5	182-	524	47	13
				131-	176	33	14	182-	559	11	19
				131-	176	35	5	182-	559	23	8
				131-	911	11	6	187-	1036	43	18
				131-	911	15	6	187-	1037	7	1
				131-	911	23	14	187-	1328	17	14
				131-	911	31	28	187-	1334	23	6
				131-	911	35	7	187-	1508	5	7
				131-	911	39	30	187-	1510	9	22
				131-	911	43	8	187-	1510	13	30
				131-	911	49	7	187-	1738	47	11
				131-	934	15	4	192-	13	19	14
				131-	938	43	16	192-	18	11	20
				131-	1102	35	9	192-	18	19	16
				131-	1102	37	10	192-	18	47	15
				131-	1180	39	34	192-	19	13	4
				131-	1180	43	24	192-	19	19	5
				131-	1180	47	20	192-	19	23	13
				131-	1181	15	9	192-	19	35	10
				131-	1181	27	13	192-	20	47	24

## HARDWARE CODE NUMBERS

11-	312	9	6
13-	624	15	4
14-	712	31	3
41-	24	13	12
92-	3	9	19
111-	132	31	21
111-	132	43	7
111-	132	49	6
111-	217	33	13
111-	340	43	15
111-	366	45	15
113-	1	35	14
113-	3	47	18
113-	4	43	22
113-	5	47	17
113-	101	31	27
113-	102	11	8
113-	102	33	4
113-	102	35	8
113-	102	47	23
113-	103	29	18
113-	118	31	9
113-	120	25	2
113-	122	15	5

PART NO.	PAGE NO.	REF. NO.	PART NO.	PAGE NO.	REF. NO.
192-	21	39	25		
192-	21	45	7		
193-	25	7	5		
193-	25	9	12		
193-	31	31	4		
193-	42	47	12		
193-	92	49	5		
195-	10	7	11		
195-	103	43	4		
195-	104	29	10		
195-	105	45	14		
195-	513	37	14		
195-	513	47	14		
195-	516	19	4		
195-	518	25	10		
195-	518	35	15		
195-	518	37	7		
195-	518	39	33		
195-	518	43	23		
195-	518	47	19		
195-	521	15	3		
195-	521	29	19		
195-	522	31	12		
195-	525	37	19		
195-	525	39	19		
195-	525	41	11		
195-	525	43	27		
195-	525	45	10		
195-	533	29	5		
195-	533	31	6		
195-	533	39	5		
195-	541	27	3		
195-	2063	41	3		
195-	2175	25	4		
214-	251	11	5		
217-	1027	7	7		
219-	10	25	3		
219-	404	35	3		
321-	4447	49	2		
321-	4726	21	6		
321-	4747	21	1		
321-	4755	21	4		
321-	4763	21	5		
321-	4766	21	2		
321-	6642	21	10		